



US00D593037S

(12) **United States Design Patent**
Shien-Tang

(10) **Patent No.:** **US D593,037 S**

(45) **Date of Patent:** **** May 26, 2009**

(54) **LATCH OF CABLE CONNECTOR FOR PORTABLE MEDIA PLAYER**

Primary Examiner—Daniel D Bui

(74) *Attorney, Agent, or Firm*—Oswald & Yap; Jay Y. Chiu

(76) **Inventor:** **Joseph Shien-Tang**, 17579 Railroad St.,
City of Industry, CA (US) 91748

(57) **CLAIM**

The ornamental design for a latch of cable connector for portable media player, as shown and described.

(**) **Term:** **14 Years**

(21) **Appl. No.:** **29/289,649**

DESCRIPTION

(22) **Filed:** **Jul. 26, 2007**

FIG. 1 is a top plan view of a latch of cable connector for portable media player showing my new design;

(51) **LOC (9) Cl.** **13-03**

FIG. 2 is a bottom plan view thereof;

(52) **U.S. Cl.** **D13/154**

FIG. 3 is a front elevational view thereof;

(58) **Field of Classification Search** D13/146–147,
D13/154, 184; 439/395, 660, 839, 849, 850,
439/862, 884, 885, 891

FIG. 4 is a rear elevational view thereof;

FIG. 5 is a right side elevational view thereof;

See application file for complete search history.

FIG. 6 is a left side elevational view thereof;

(56) **References Cited**

FIG. 7 is a top, front and left side perspective view thereof, in use condition, and on a reduced scale; and,

U.S. PATENT DOCUMENTS

FIG. 8 is a top, front and left side perspective view thereof.

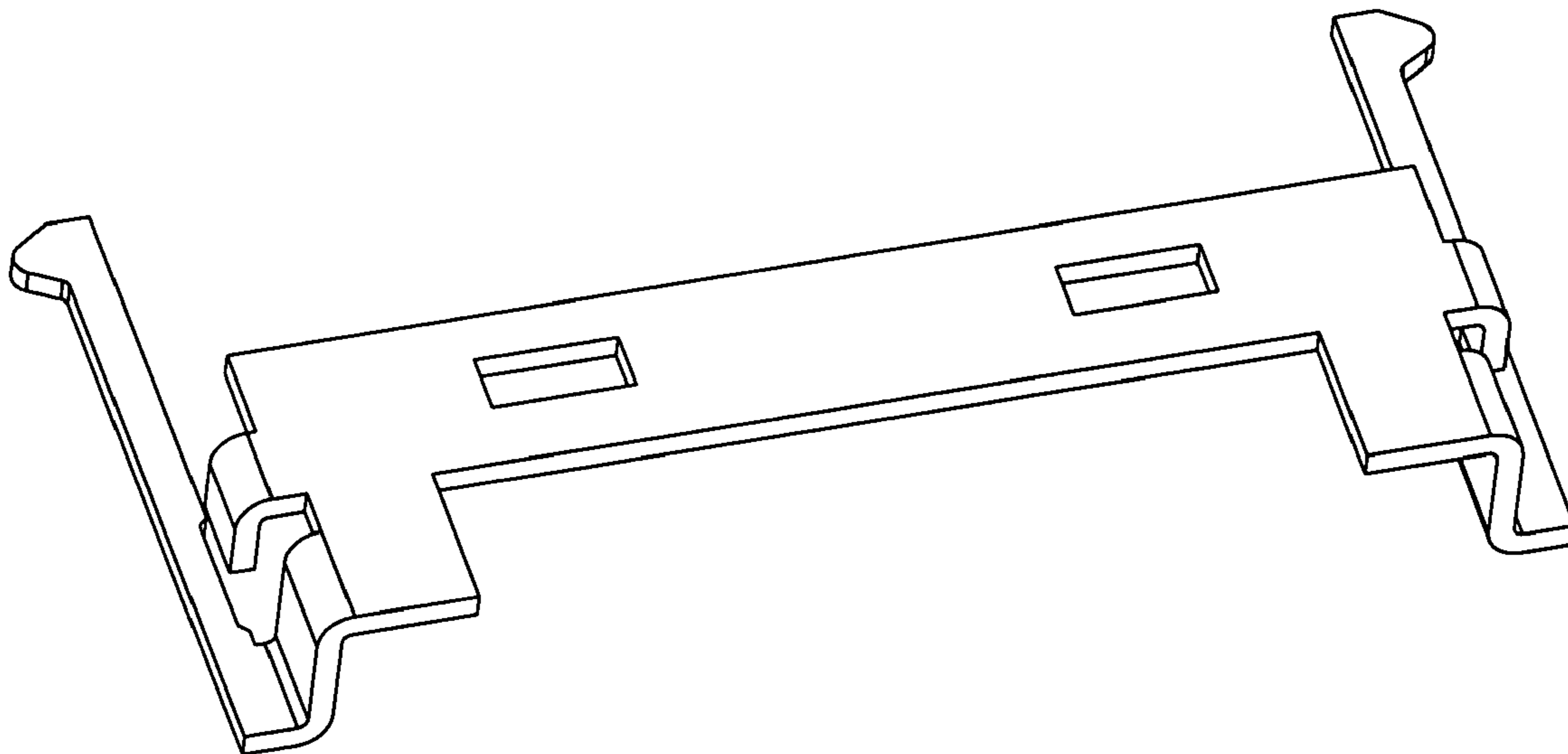
| | | | | |
|----------------|---------|-----------------|-------|-----------|
| 4,970,353 A * | 11/1990 | Kotz | | 174/138 F |
| D315,719 S * | 3/1991 | Cusumano et al. | | D13/154 |
| D464,324 S * | 10/2002 | Hwang | | D13/154 |
| D491,535 S * | 6/2004 | Chien | | D13/154 |
| 6,796,839 B1 * | 9/2004 | Wu | | 439/607 |
| D568,816 S * | 5/2008 | Micheals | | D13/133 |

The broken line of the environment is included to show unclaimed subject matter only and forms no part of the claimed design.

Our latch of cable connector for portable media player is characterized by the features as shown in the drawings.

* cited by examiner

1 Claim, 8 Drawing Sheets



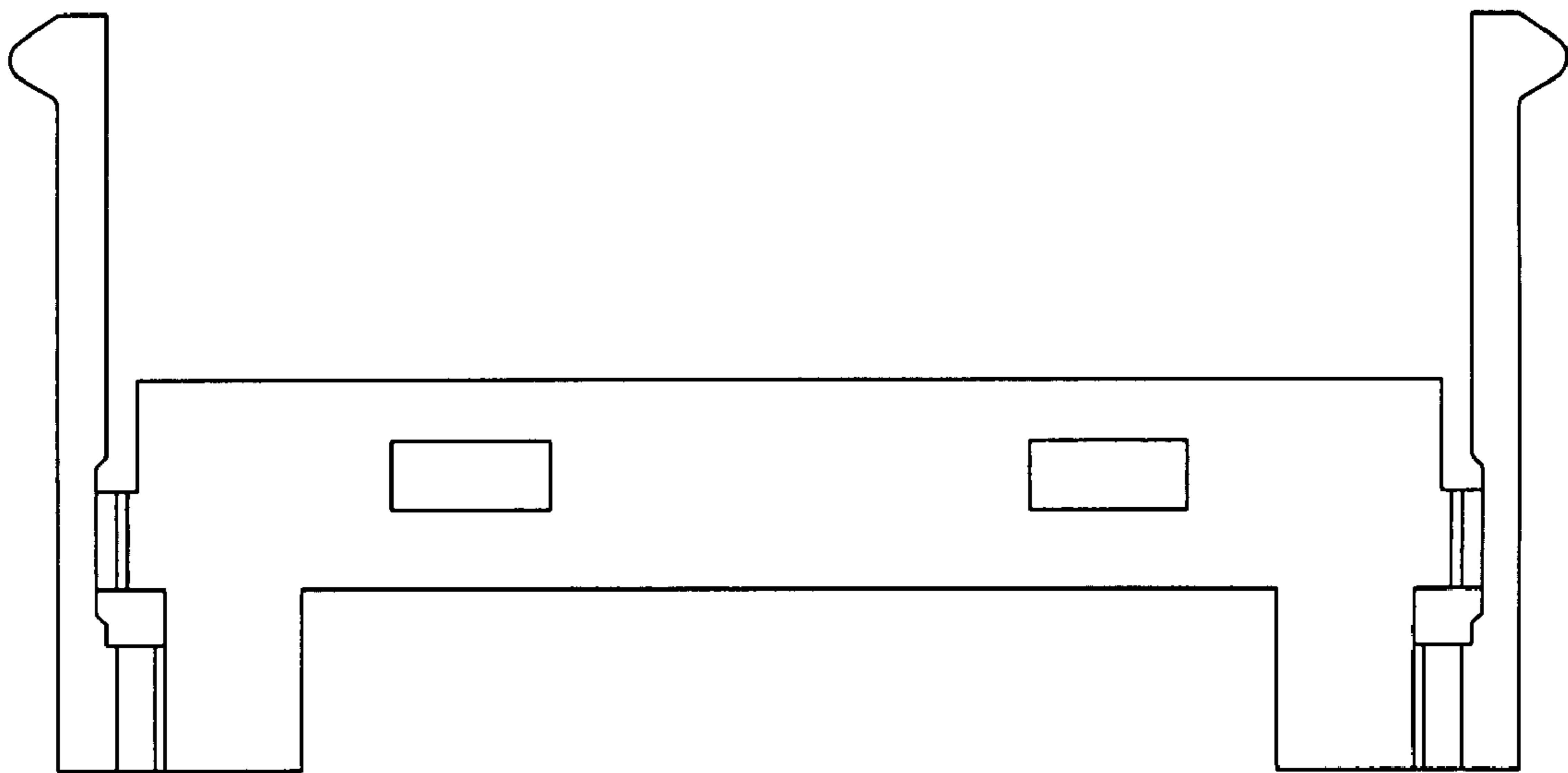


FIG. 1

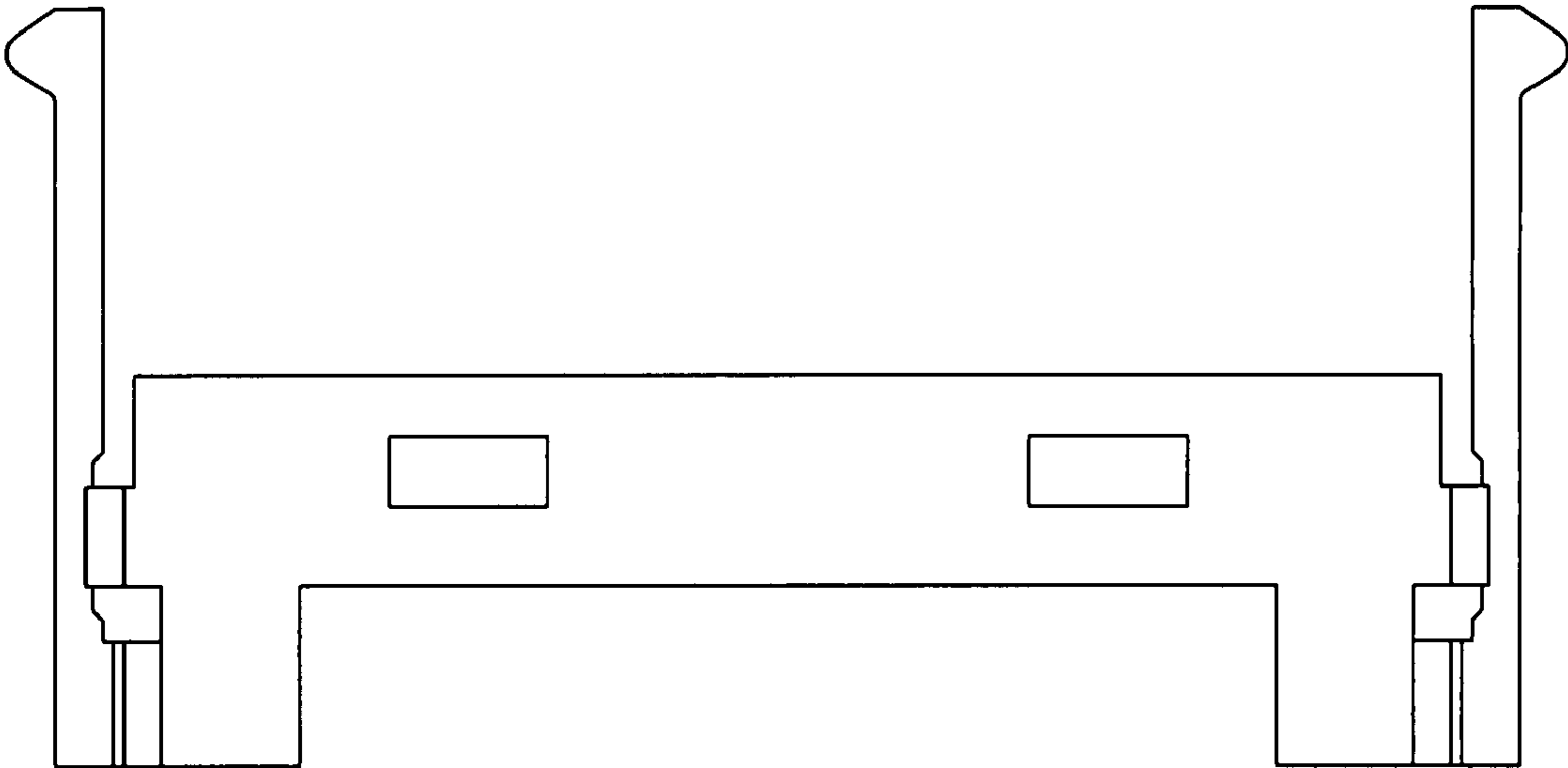


FIG. 2

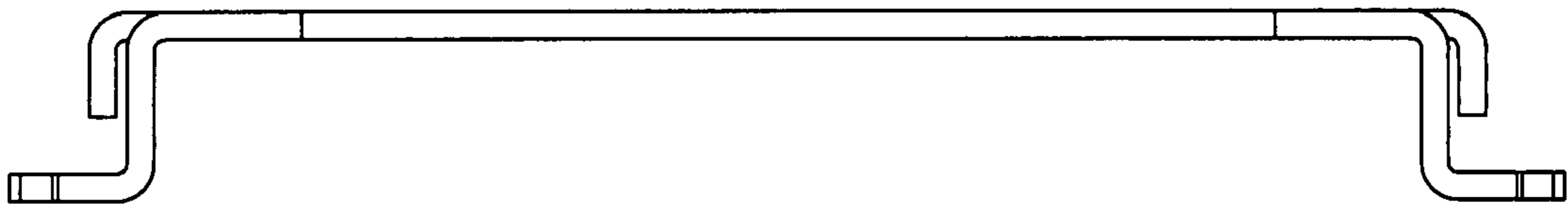


FIG. 3

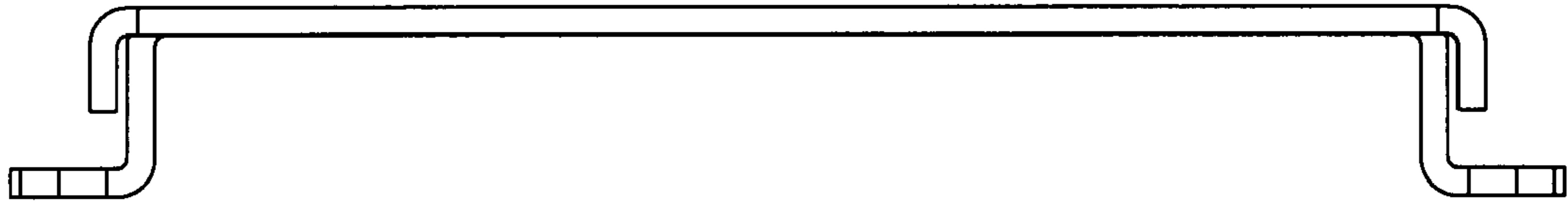


FIG. 4

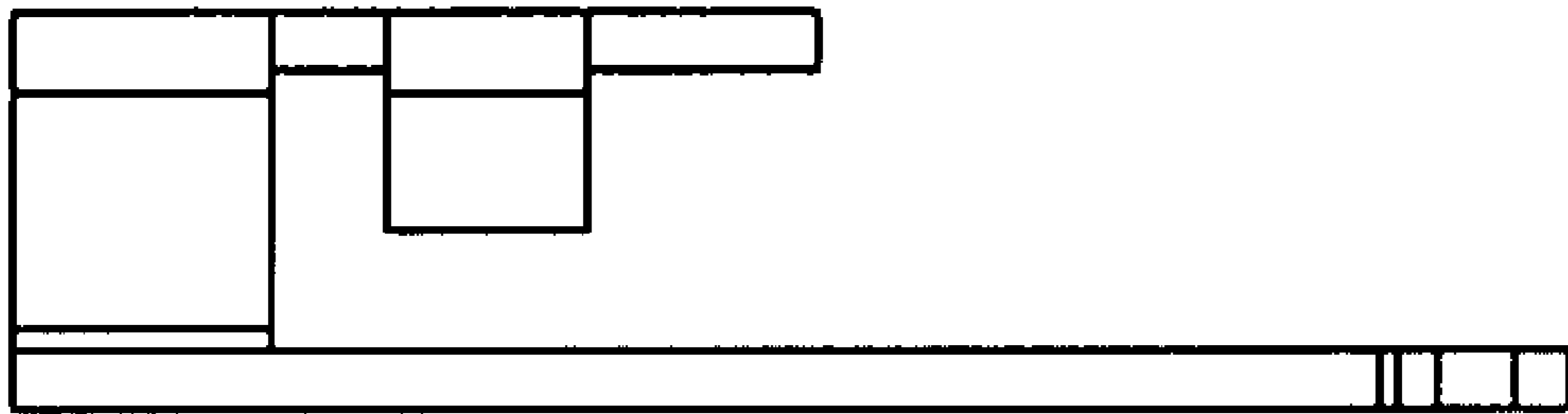


FIG. 5

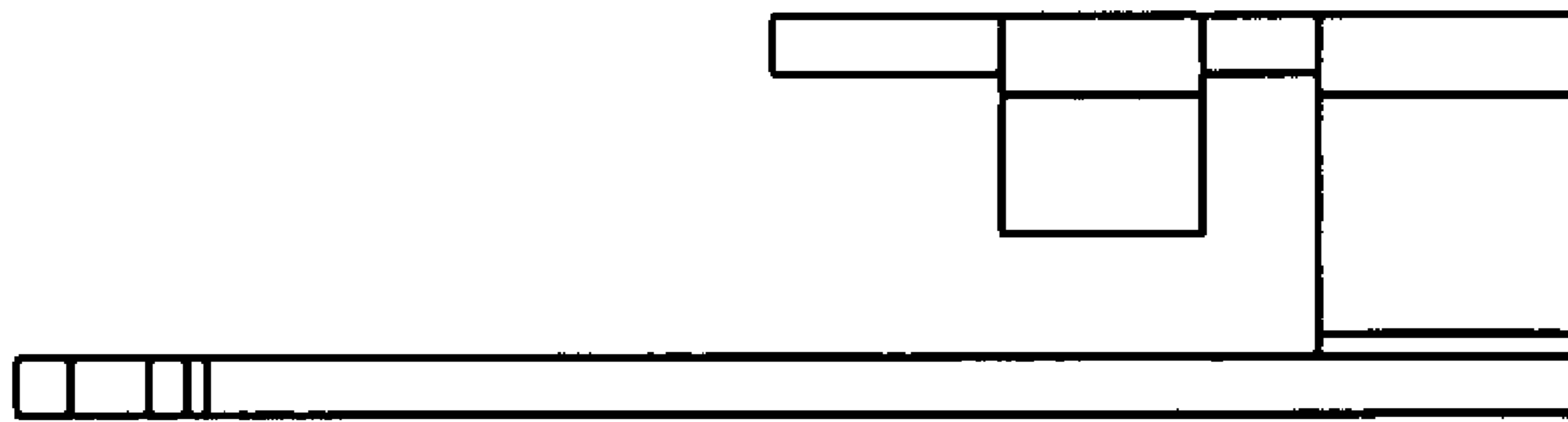


FIG. 6

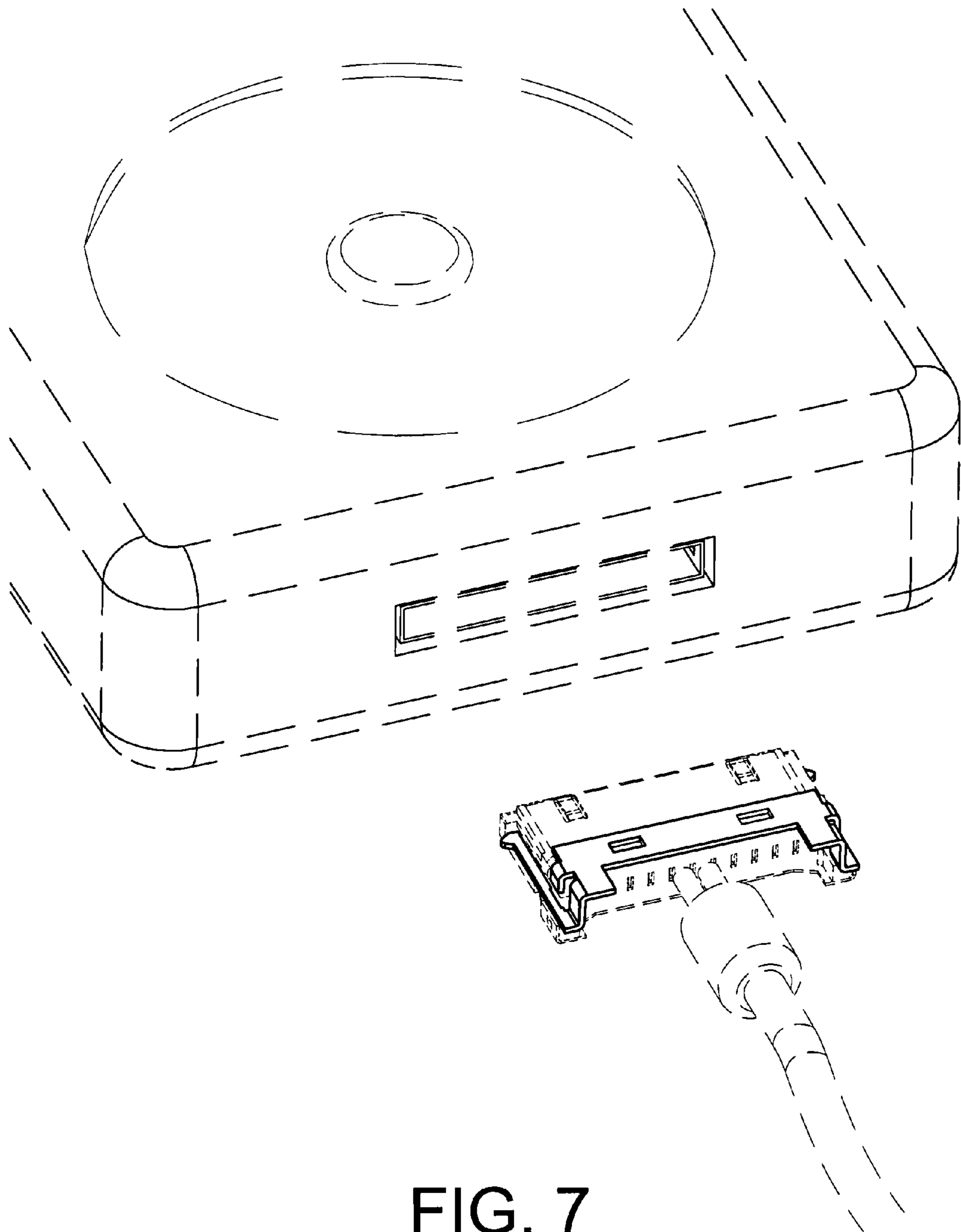


FIG. 7

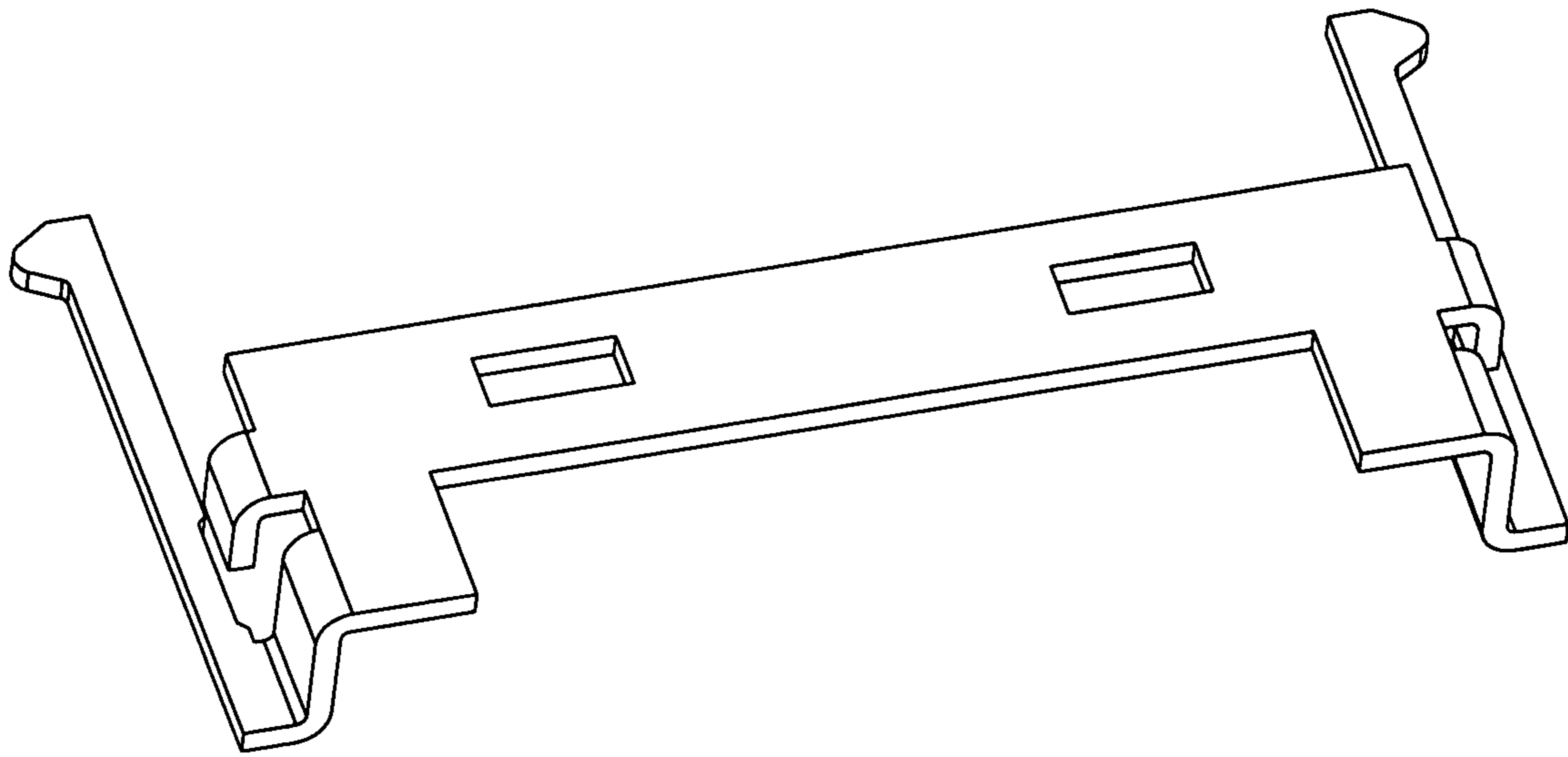


FIG. 8

UNITED STATES PATENT AND TRADEMARK OFFICE
CERTIFICATE OF CORRECTION

PATENT NO. : Des. 593,037 S
APPLICATION NO. : 29/289649
DATED : May 26, 2009
INVENTOR(S) : Joseph Shien-Tang Tseng

Page 1 of 1

It is certified that error appears in the above-identified patent and that said Letters Patent is hereby corrected as shown below:

Title Page:

Section [76], Should read; JOSEPH SHIEN-TANG TSENG

Signed and Sealed this

Twenty-first Day of July, 2009



JOHN DOLL
Acting Director of the United States Patent and Trademark Office