



US00D593036S

(12) **United States Design Patent**
Asano et al.

(10) **Patent No.:** **US D593,036 S**
(45) **Date of Patent:** **** May 26, 2009**

(54) **ELECTRICAL CONNECTOR**

(75) Inventors: **Shinichi Asano**, Tama (JP); **Yoshihiro Ishikawa**, Tama (JP); **Tomoe Toyoda**, Tama (JP); **Takao Inoue**, Tama (JP)

(73) Assignee: **Mitsumi Electric Co., Ltd**, Tokyo (JP)

(**) Term: **14 Years**

(21) Appl. No.: **29/322,843**

(22) Filed: **Aug. 13, 2008**

(30) **Foreign Application Priority Data**

Feb. 15, 2008 (JP) 2008-003376

(51) **LOC (9) Cl.** **13-03**

(52) **U.S. Cl.** **D13/147**

(58) **Field of Classification Search** D13/146-147,
D13/154, 184; 439/79, 108, 607-610, 636,
439/660, 680

See application file for complete search history.

(56) **References Cited**

U.S. PATENT DOCUMENTS

D416,863 S * 11/1999 Sato et al. D13/147

D434,386 S * 11/2000 Wu D13/147
D530,675 S * 10/2006 Lee et al. D13/147
D540,264 S * 4/2007 Zhang D13/147
D578,071 S * 10/2008 Shen et al. D13/147

* cited by examiner

Primary Examiner—Daniel D Bui

(74) *Attorney, Agent, or Firm*—Sughrue Mion, PLLC

(57) **CLAIM**

The ornamental design for an electrical connector, as shown and described.

DESCRIPTION

FIG. 1 is a top perspective view of an electrical connector showing our new design;

FIG. 2 is a front view thereof;

FIG. 3 is a rear view thereof;

FIG. 4 is a right side view thereof;

FIG. 5 is a left side view thereof;

FIG. 6 is a top plan view thereof; and,

FIG. 7 is a bottom plan view thereof.

1 Claim, 4 Drawing Sheets

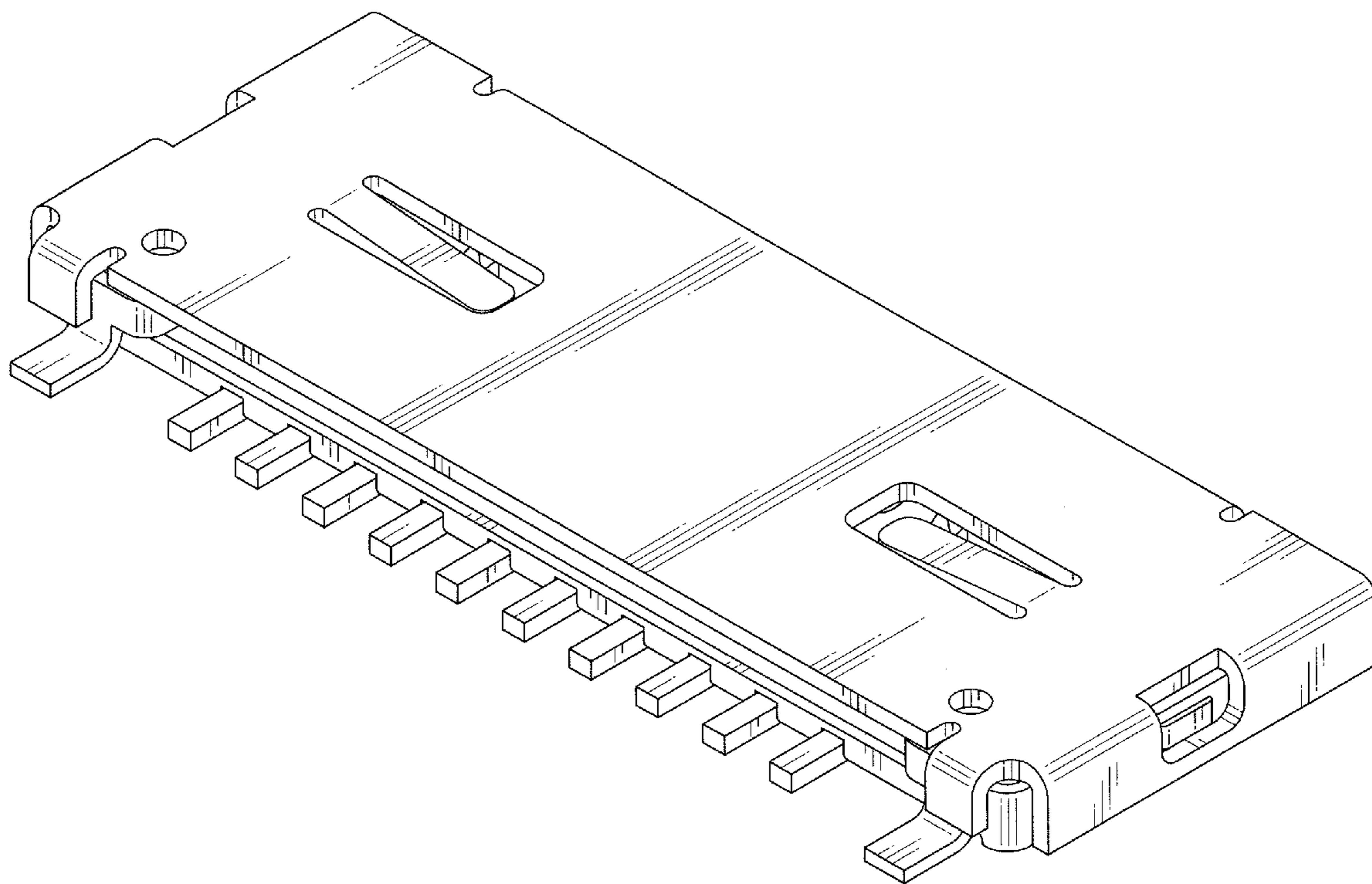


FIG.1

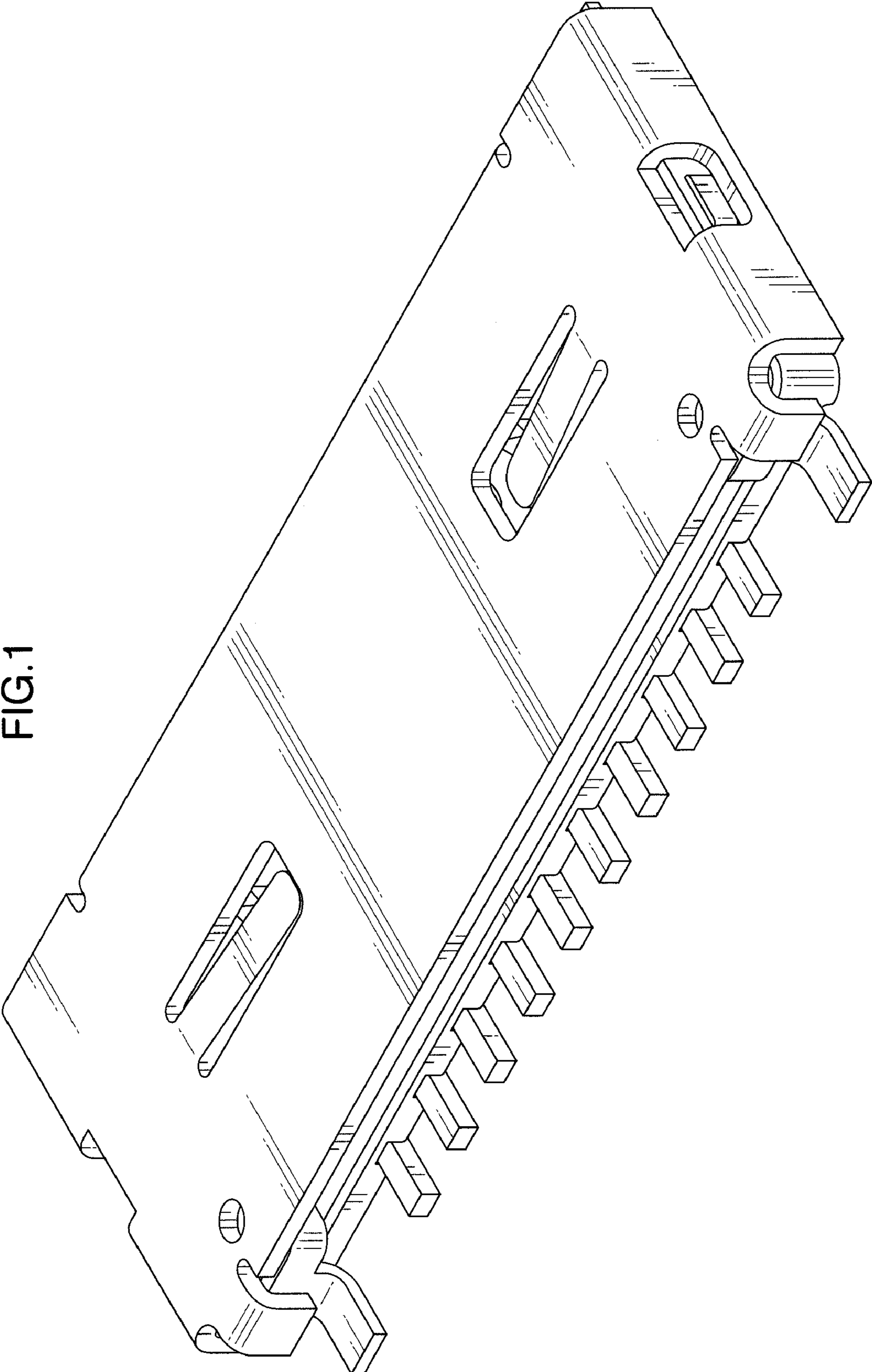


FIG.2

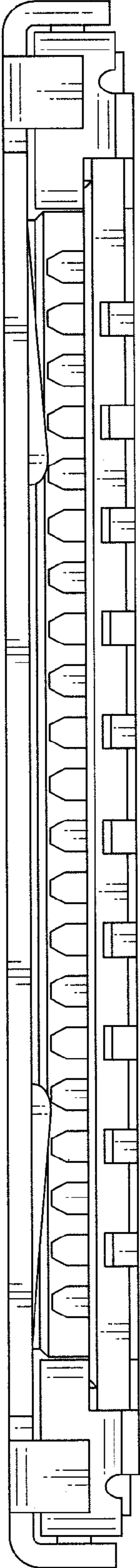


FIG.3

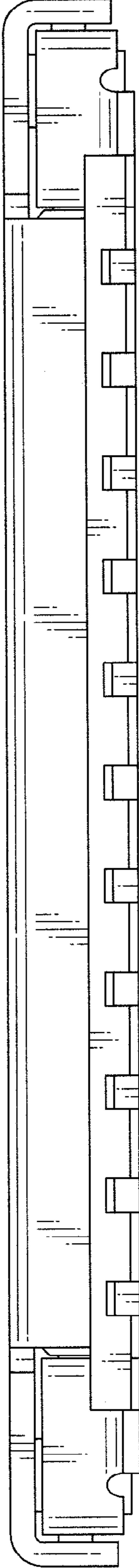


FIG.4

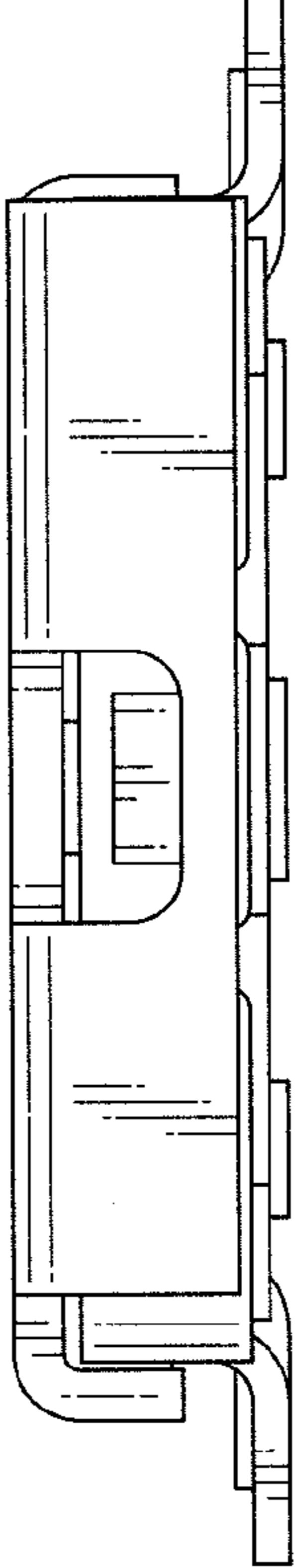


FIG.5

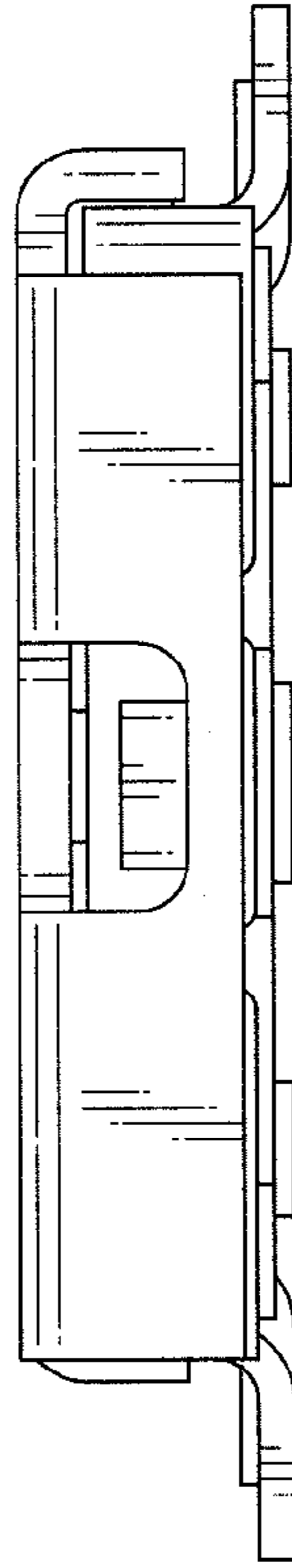


FIG.6

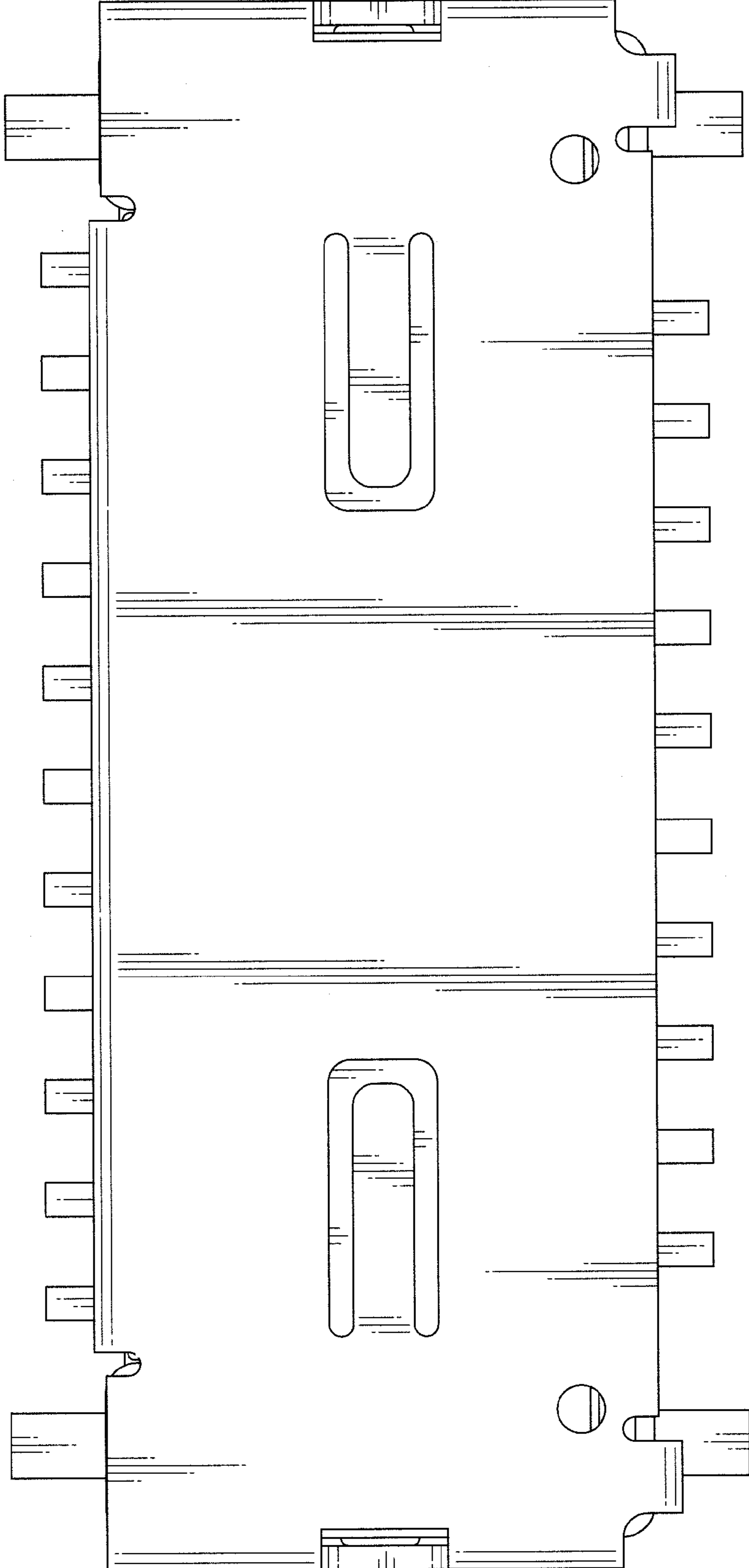


FIG. 7

