



US00D593033S

(12) **United States Design Patent**
Ogata et al.

(10) **Patent No.:** **US D593,033 S**
(45) **Date of Patent:** **** May 26, 2009**

(54) **HOUSING FOR ELECTRIC CONNECTOR**

D585,025 S * 1/2009 Kudo D13/133

(75) Inventors: **Shigetoshi Ogata**, Toyama (JP); **Mieko Kano**, Toyama (JP)

FOREIGN PATENT DOCUMENTS

(73) Assignee: **SMK Corporation**, Tokyo (JP)

JP 10189137 A * 7/1998

(**) Term: **14 Years**

* cited by examiner

(21) Appl. No.: **29/325,846**

Primary Examiner—Daniel D Bui

Assistant Examiner—Thomas J Johannes

(22) Filed: **Oct. 7, 2008**

(74) *Attorney, Agent, or Firm*—Darby & Darby PC

(30) **Foreign Application Priority Data**

(57) **CLAIM**

Apr. 8, 2008 (JP) 2008-008868

The ornamental design for a housing for electric connector, as shown and described.

(51) **LOC (9) Cl.** **13-03**

DESCRIPTION

(52) **U.S. Cl.** **D13/133**

FIG. 1 is a front elevational view of our new design for a housing for electric connector;

(58) **Field of Classification Search** D13/133,
D13/146, 147, 154, 184, 199; 439/63, 108,
439/352, 357, 358, 608, 731

FIG. 2 is a rear elevational view thereof;

See application file for complete search history.

FIG. 3 is a top plan view thereof;

FIG. 4 is a bottom plan view thereof;

(56) **References Cited**

FIG. 5 is a right side elevational view thereof;

U.S. PATENT DOCUMENTS

FIG. 6 is a left side elevational view thereof;

D242,630 S * 12/1976 Sheesley et al. D14/256

FIG. 7 is a sectional view thereof taken along line 7—7 of FIG. 1;

D474,447 S * 5/2003 Kano D13/133

FIG. 8 is a perspective view thereof as seen from the top, front and left sides; and,

D475,014 S * 5/2003 Kano D13/133

FIG. 9 is a perspective view thereof as seen from the bottom, rear and right sides.

D527,345 S * 8/2006 Zhang D13/133

D531,120 S * 10/2006 Tamura D13/133

D537,781 S * 3/2007 Tamura D13/133

D561,101 S * 2/2008 Sakamoto D13/133

D574,772 S * 8/2008 Sutter D13/133

D574,773 S * 8/2008 Sutter D13/133

1 Claim, 3 Drawing Sheets

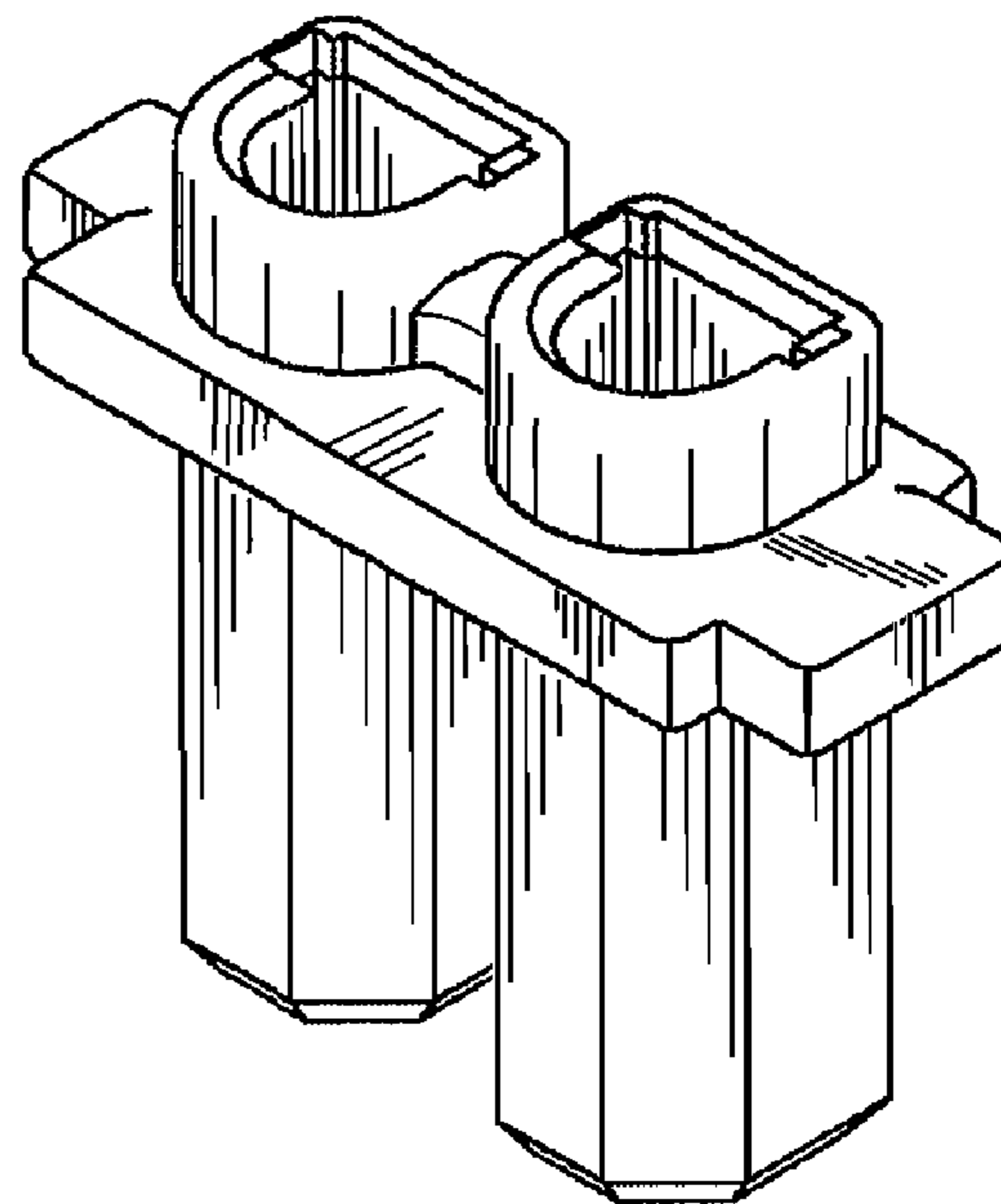
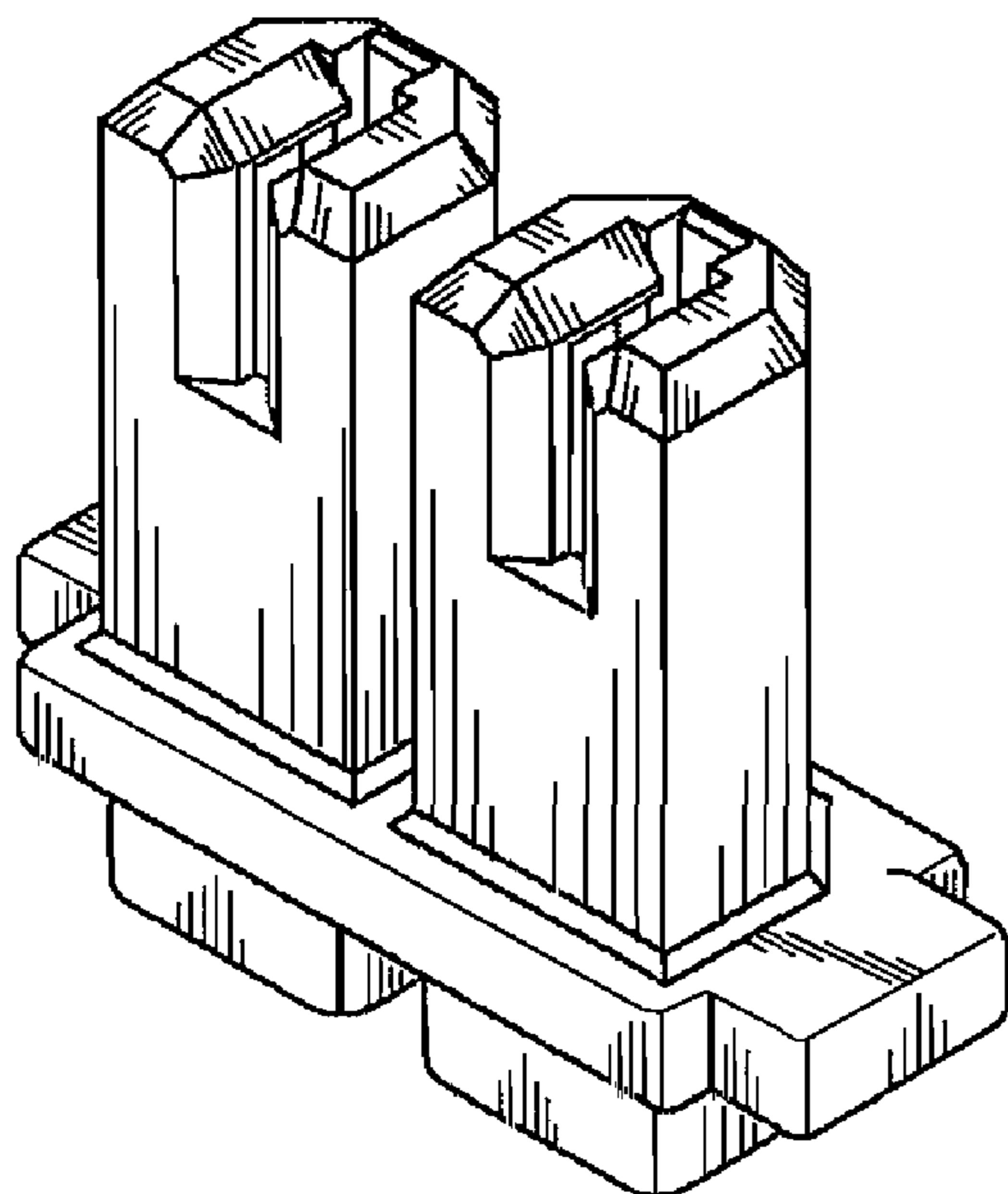


Figure 1

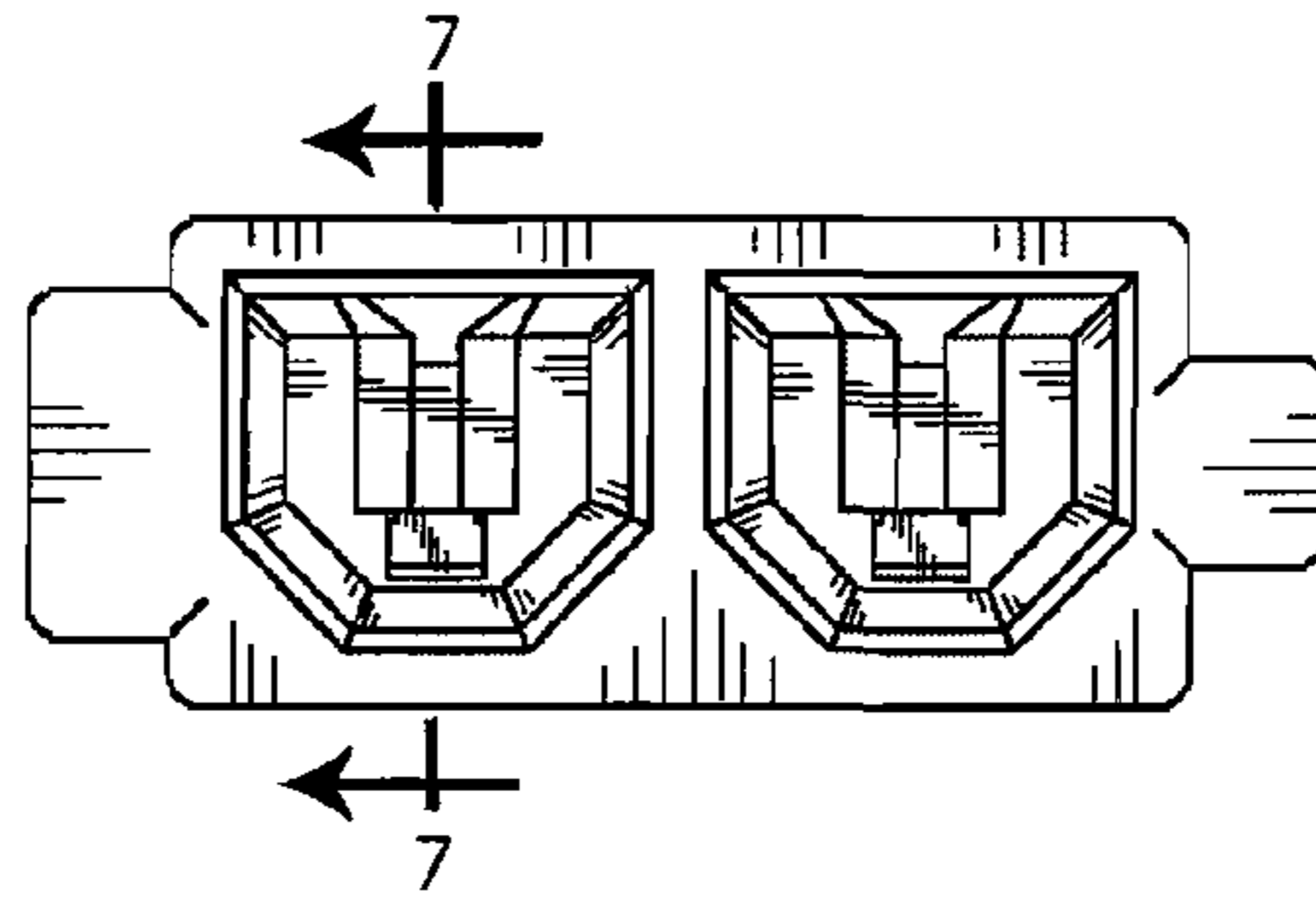


Figure 2

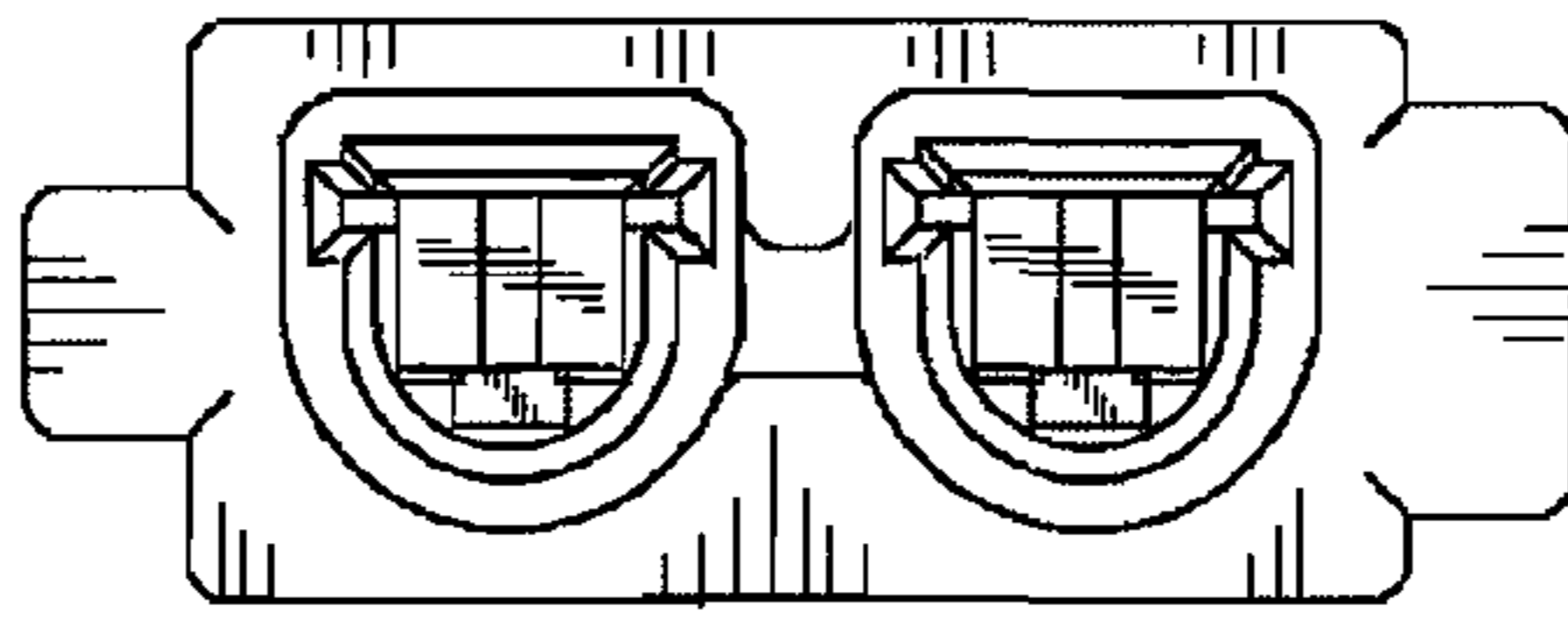


Figure 3

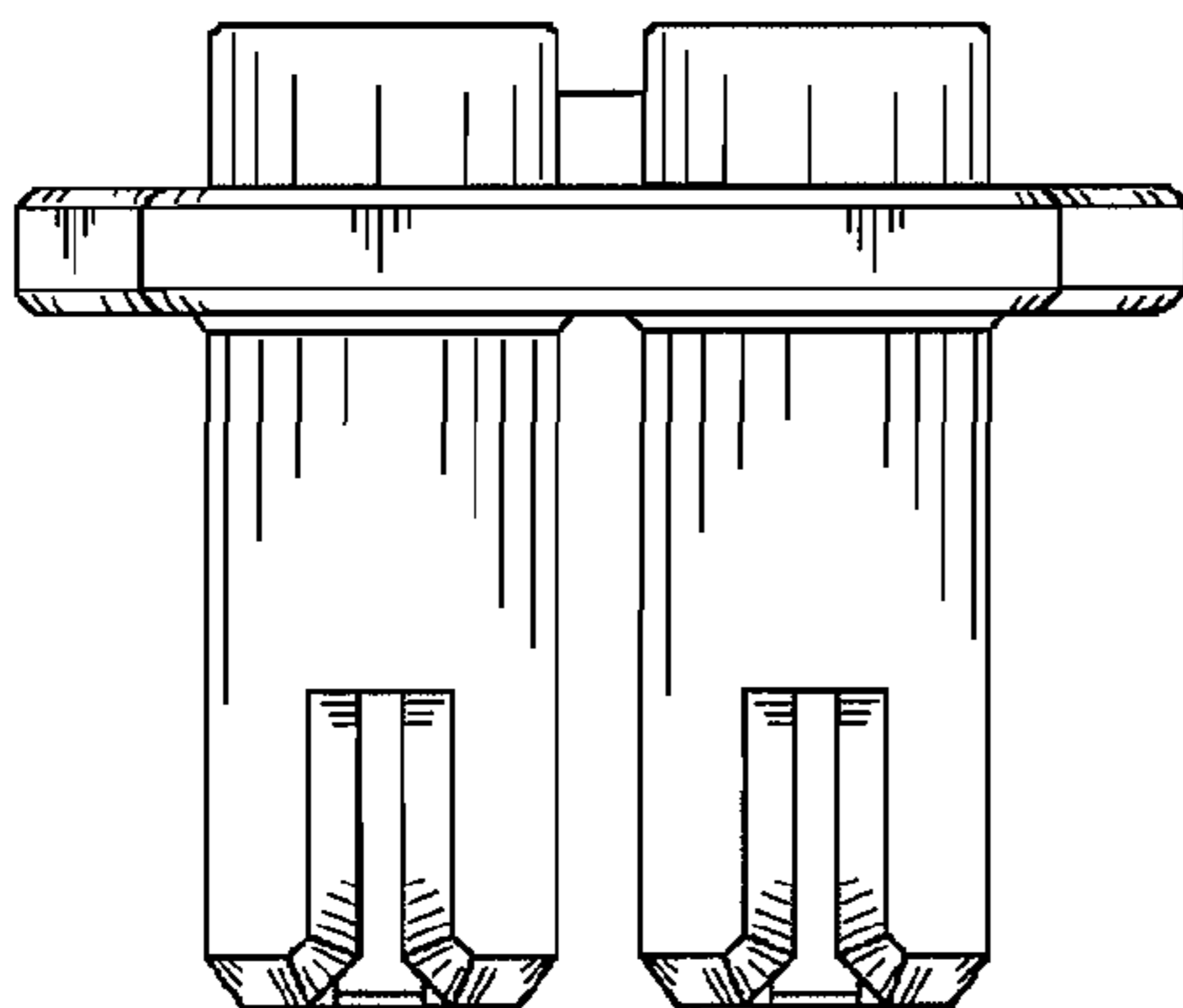


Figure 4

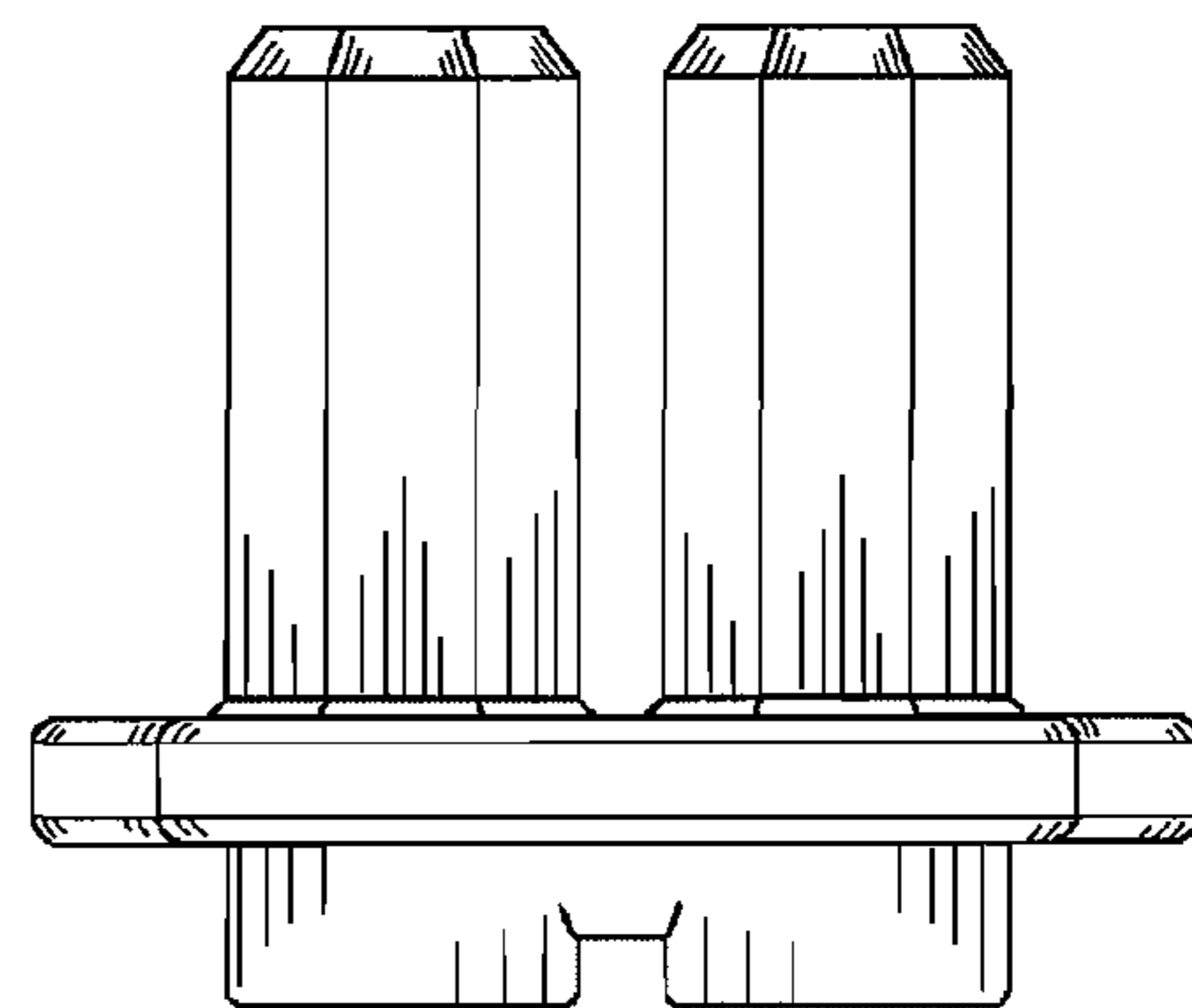


Figure 5

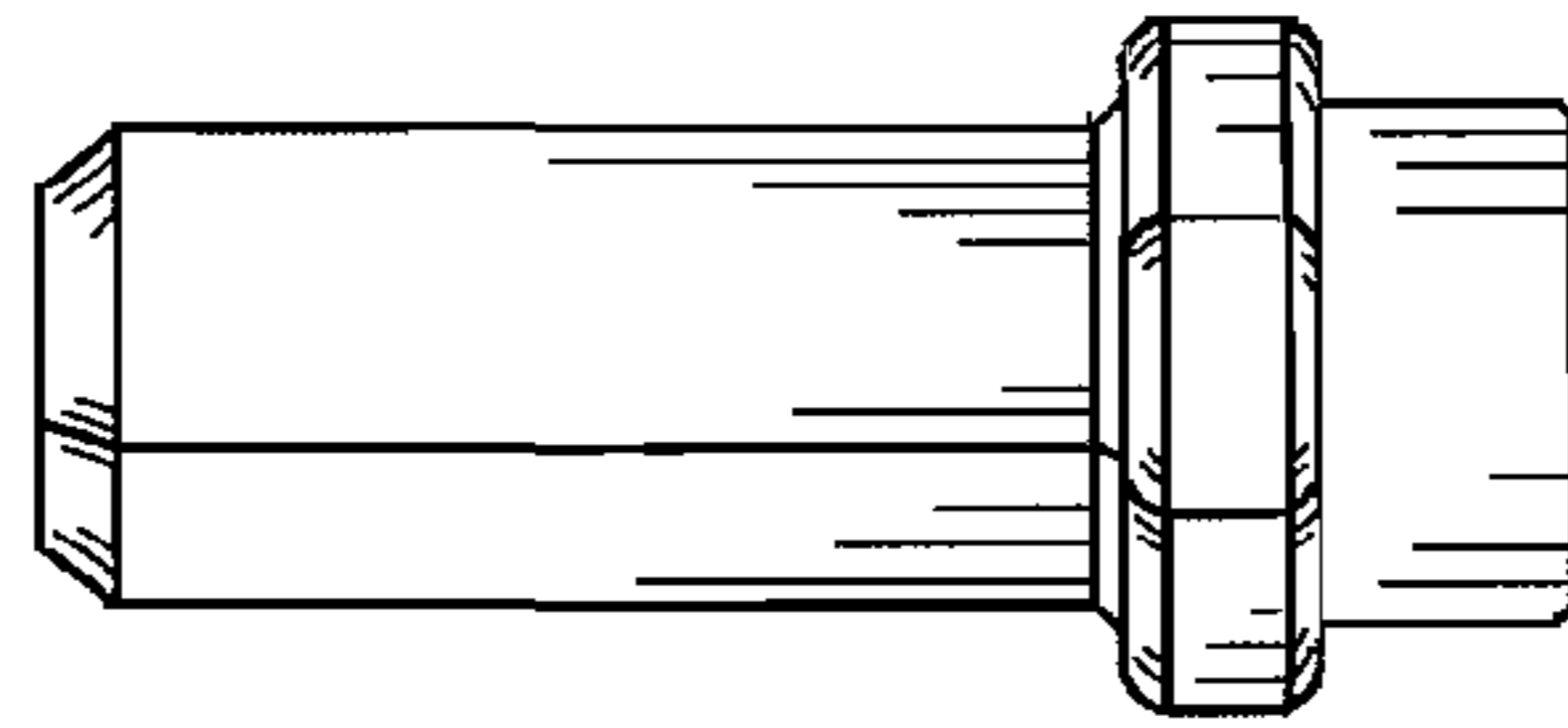


Figure 6

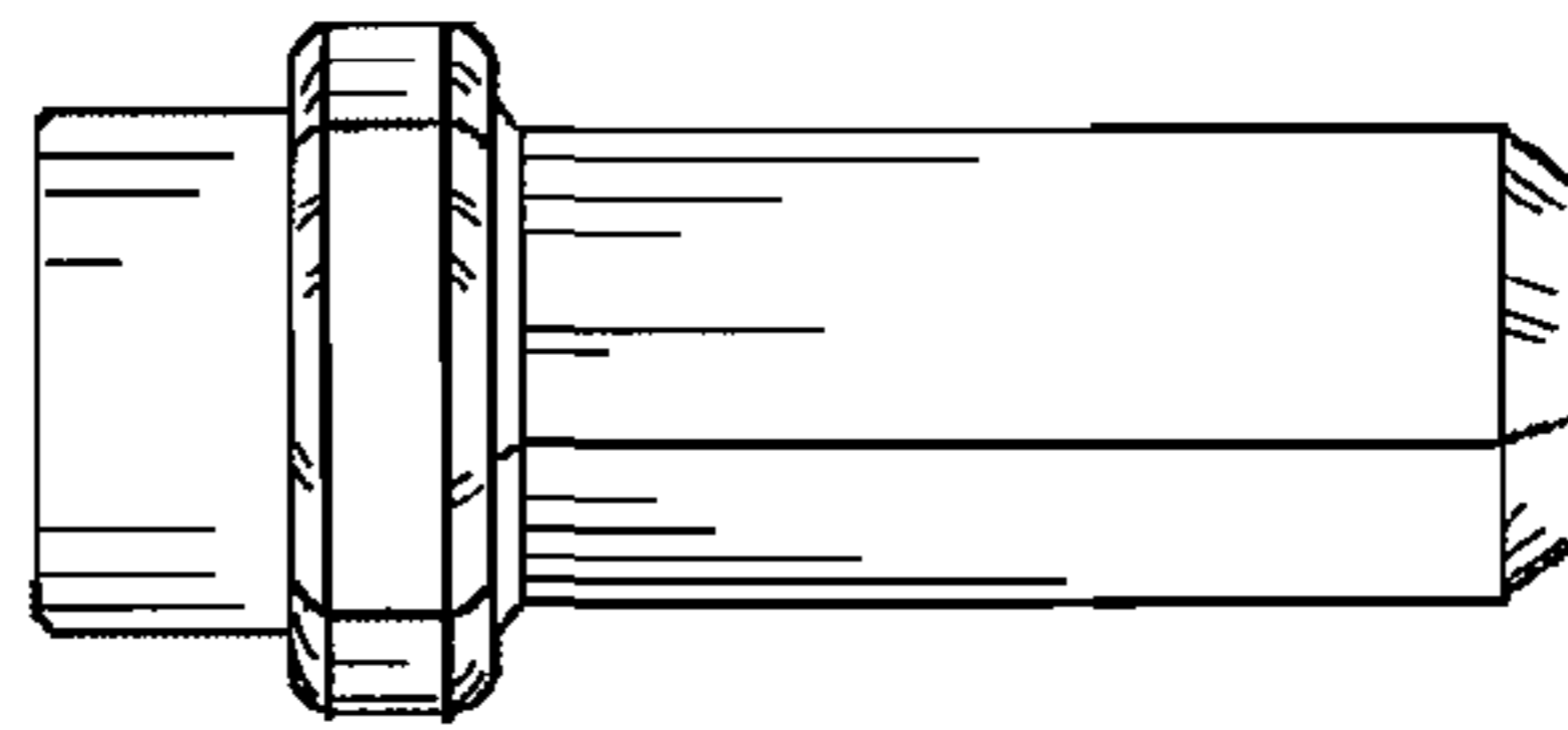


Figure 7

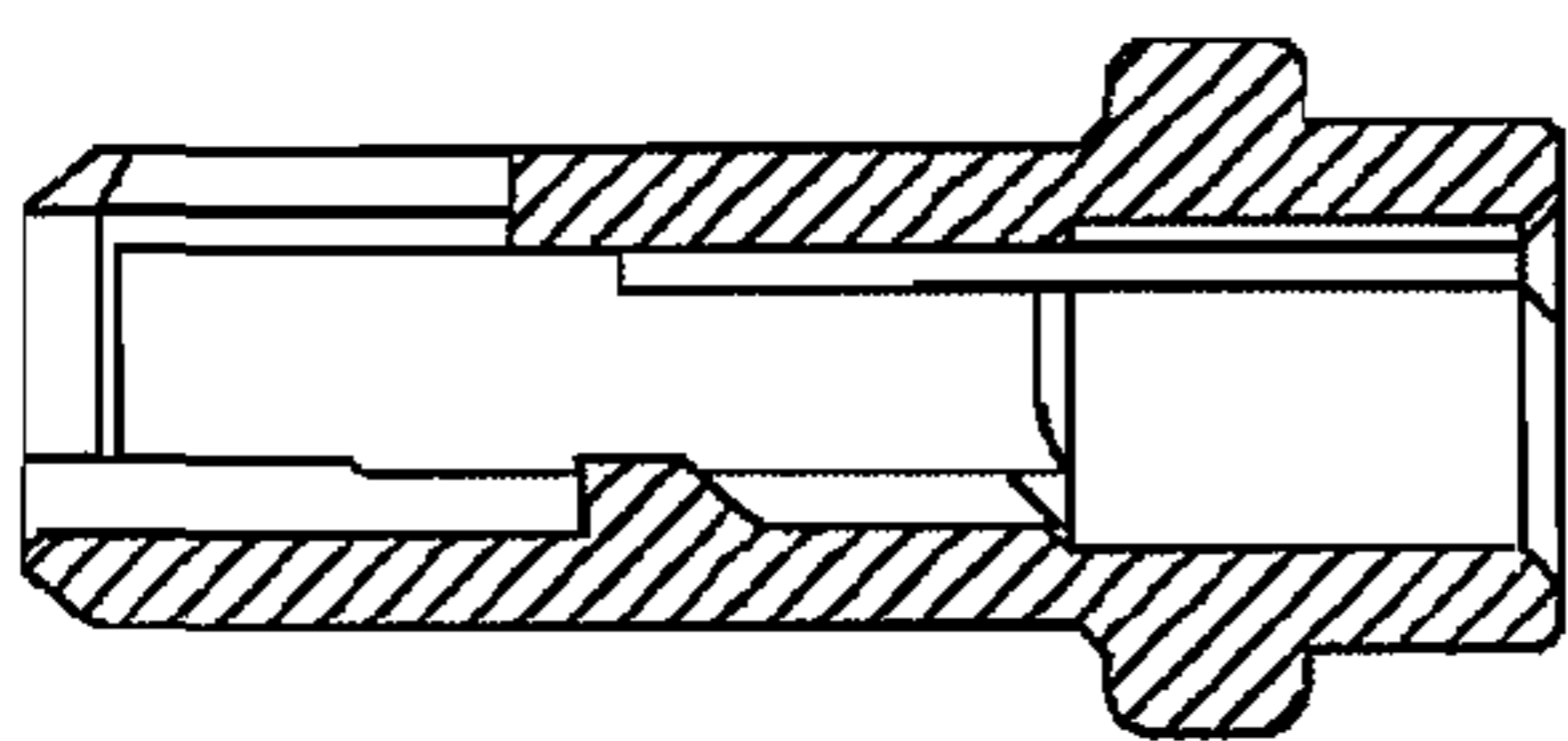


Figure 8

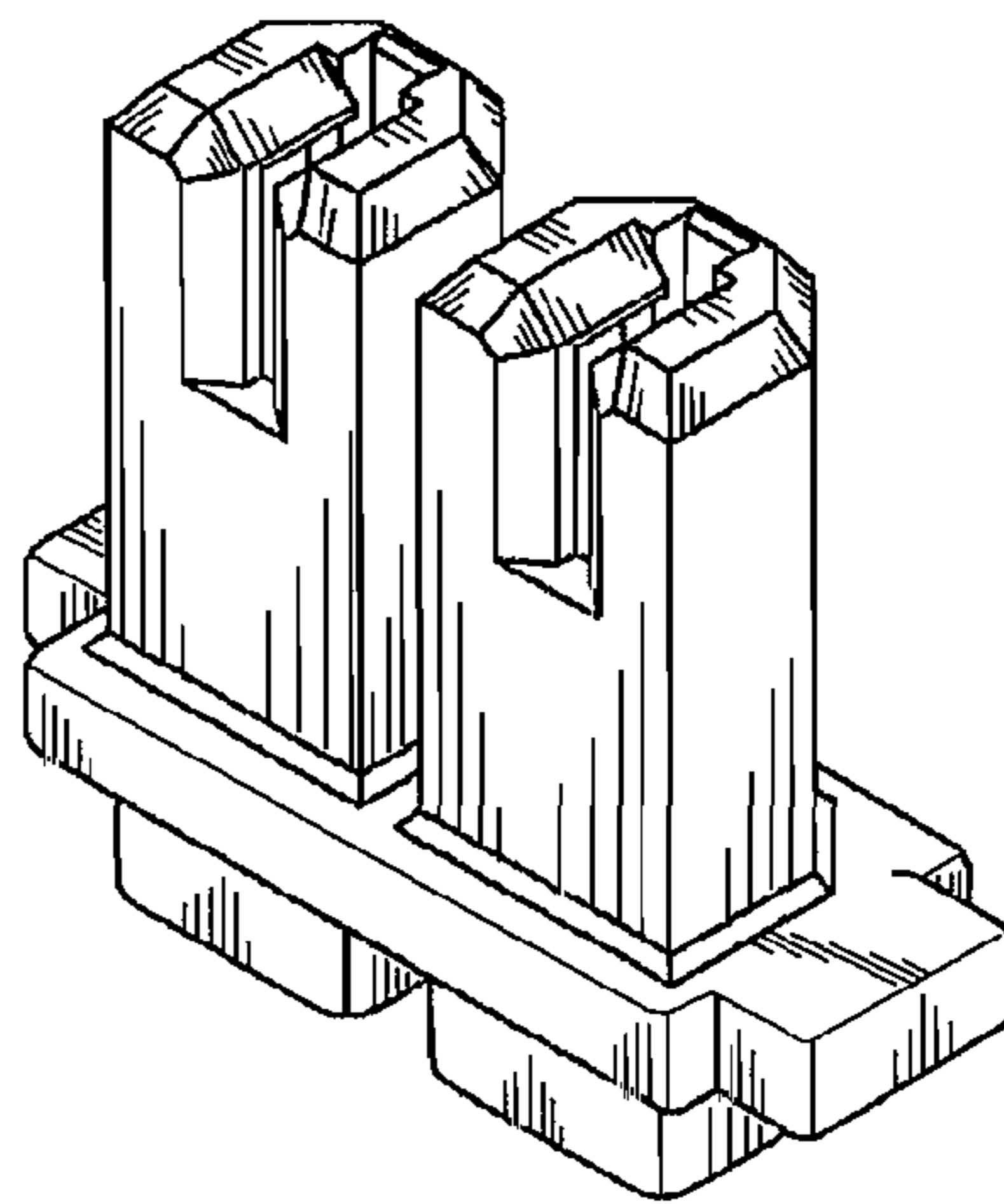


Figure 9

