

US00D593031S

(12) **United States Design Patent**
Miyatake et al.

(10) **Patent No.:** **US D593,031 S**

(45) **Date of Patent:** **** May 26, 2009**

(54) **POWER SUPPLY ADAPTER**

(75) Inventors: **Junichiro Miyatake**, Kyoto (JP);
Kazuumi Otani, Kyoto (JP)

(73) Assignee: **Nintendo Co., Ltd.**, Kyoto (JP)

(**) Term: **14 Years**

(21) Appl. No.: **29/326,259**

(22) Filed: **Oct. 15, 2008**

(30) **Foreign Application Priority Data**

Apr. 15, 2008 (JP) 2008-009597

(51) **LOC (9) Cl.** **13-02**

(52) **U.S. Cl.** **D13/110**

(58) **Field of Classification Search** D13/110,
D13/101, 107, 123, 133, 138.1, 199; 307/150,
307/151; 320/111, 114; 363/15, 34, 146;
439/131, 172, 173, 668, 669

See application file for complete search history.

(56) **References Cited**

U.S. PATENT DOCUMENTS

D308,197 S	5/1990	Inoue	
D317,913 S	7/1991	Inoue	
D327,918 S	7/1992	Cordell	
D338,188 S *	8/1993	Lee et al.	D13/110
D350,113 S *	8/1994	Nagele	D13/110
5,613,863 A *	3/1997	Klaus et al.	439/131
5,684,689 A *	11/1997	Hahn	363/146

6,042,400 A *	3/2000	Queffelec et al.	439/131
6,086,395 A *	7/2000	Lloyd et al.	439/172
D428,862 S *	8/2000	Queffelec et al.	D13/184
D454,537 S *	3/2002	O'Connor et al.	D13/110
D456,008 S *	4/2002	Kawanobe et al.	D13/110
D478,546 S *	8/2003	Andre et al.	D13/110
D505,133 S	5/2005	Ashida et al.	

* cited by examiner

Primary Examiner—Prabhakar Deshmukh

Assistant Examiner—Derrick Holland

(74) *Attorney, Agent, or Firm*—Nixon & Vanderhye, P.C.

(57) **CLAIM**

The ornamental design for a power supply adapter, as shown and described.

DESCRIPTION

FIG. 1 is a front, bottom and right perspective view of a power supply adapter of our new design;

FIG. 2 is a rear, top and left perspective view thereof;

FIG. 3 is a front view thereof;

FIG. 4 is a rear view thereof;

FIG. 5 is a top plan view thereof;

FIG. 6 is a bottom plan view thereof;

FIG. 7 is a right side view thereof;

FIG. 8 is a left side view thereof; and,

FIG. 9 is another rear, top and left perspective view thereof, with the plug in an alternate position.

1 Claim, 4 Drawing Sheets

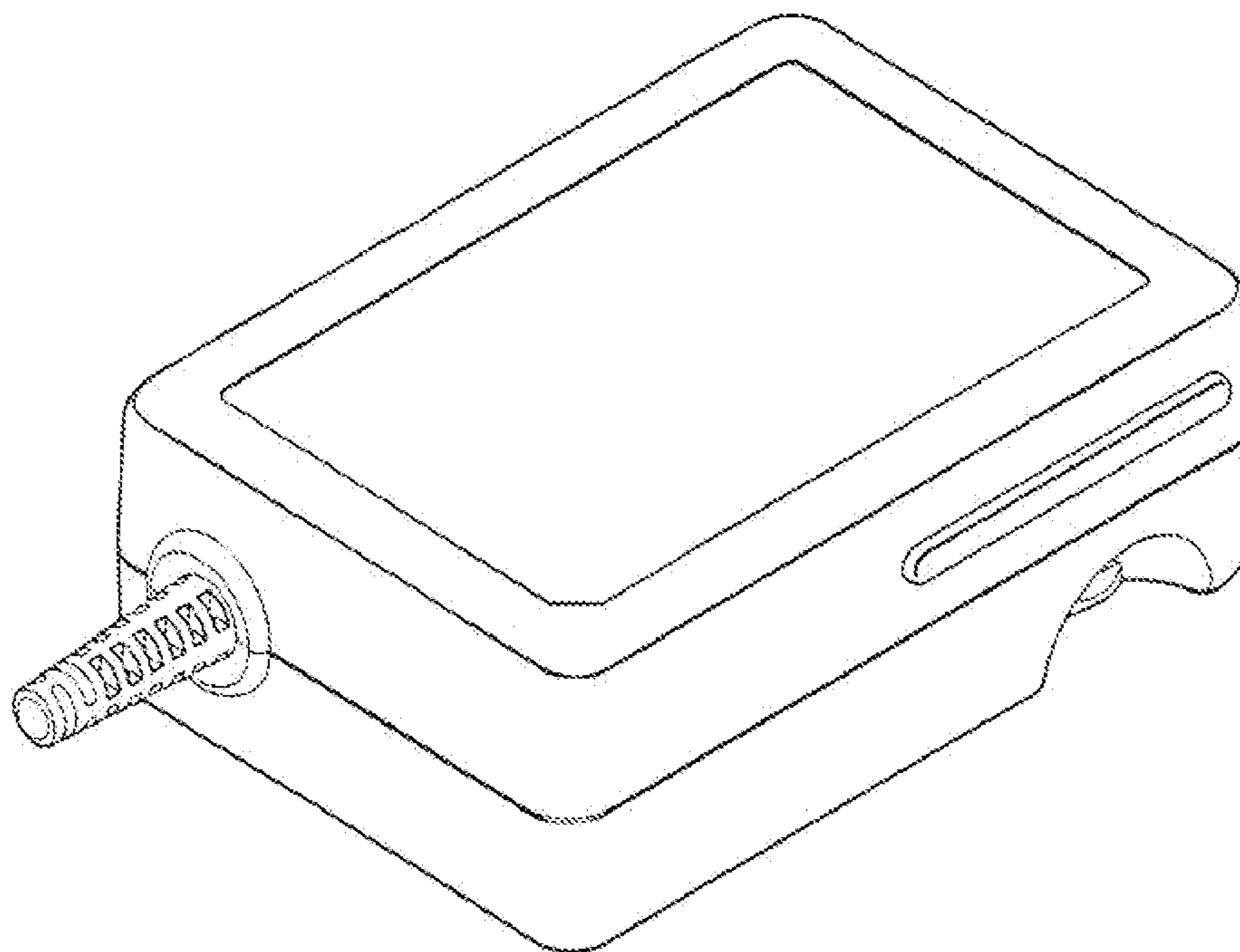


FIG. 1

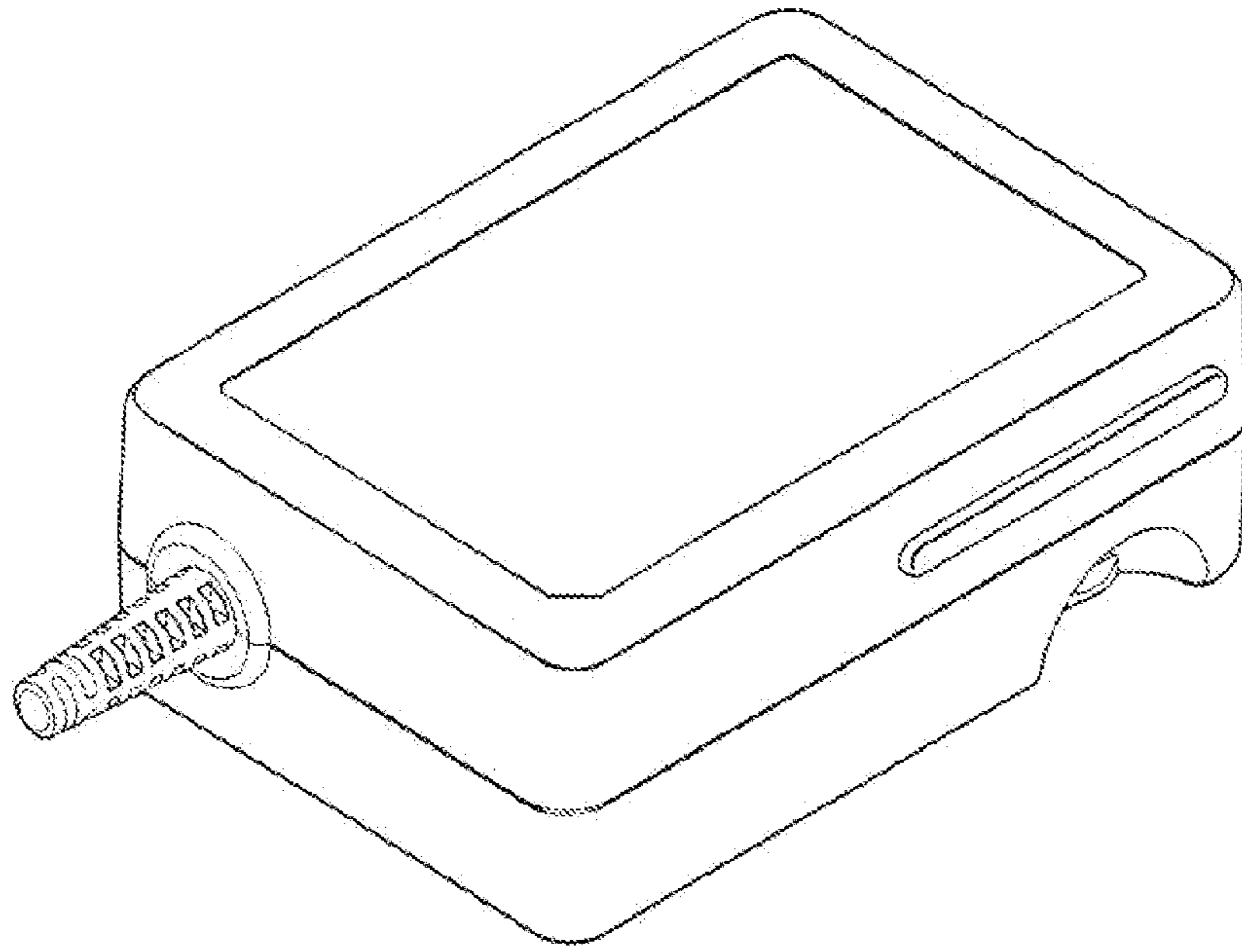


FIG. 2

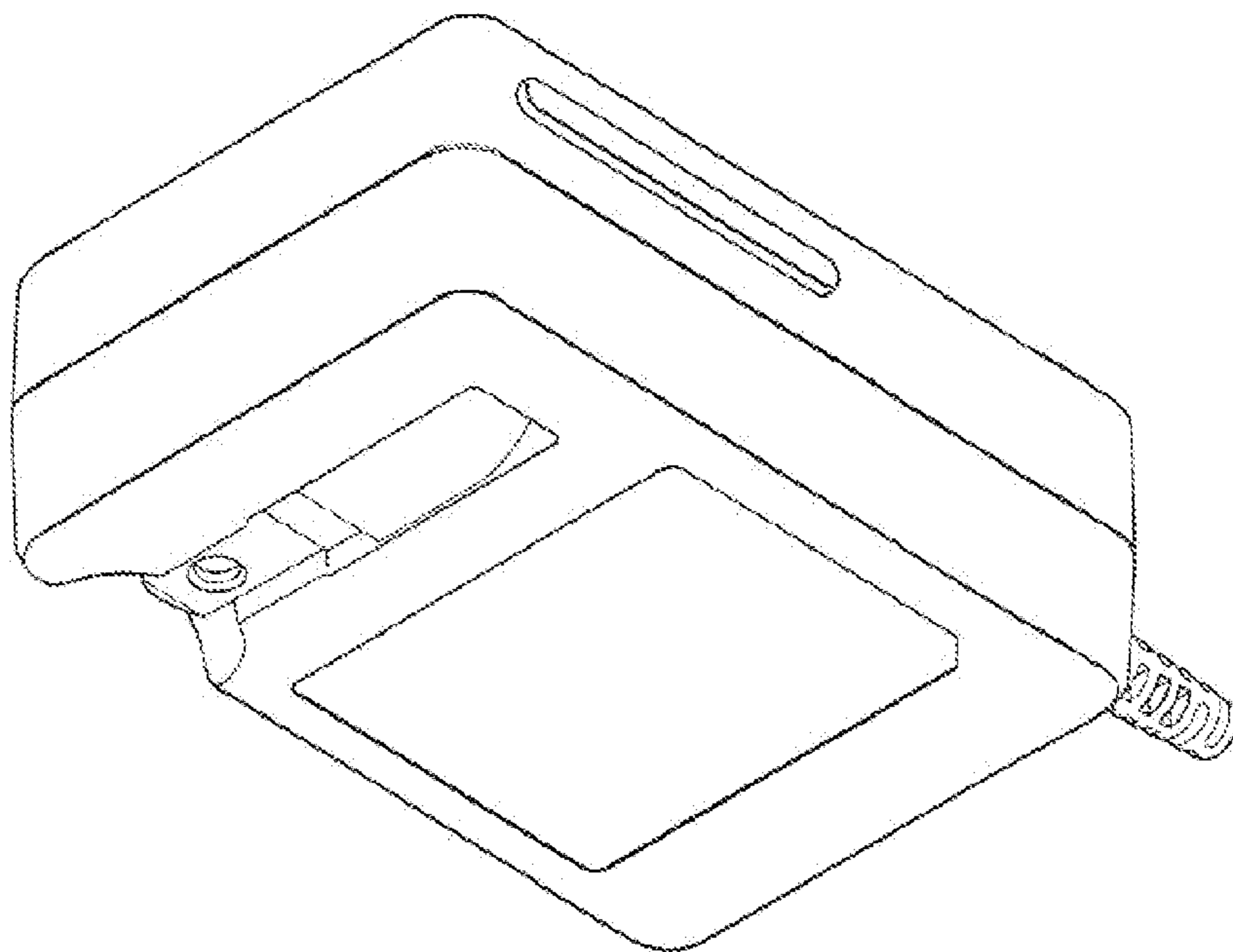


FIG. 3

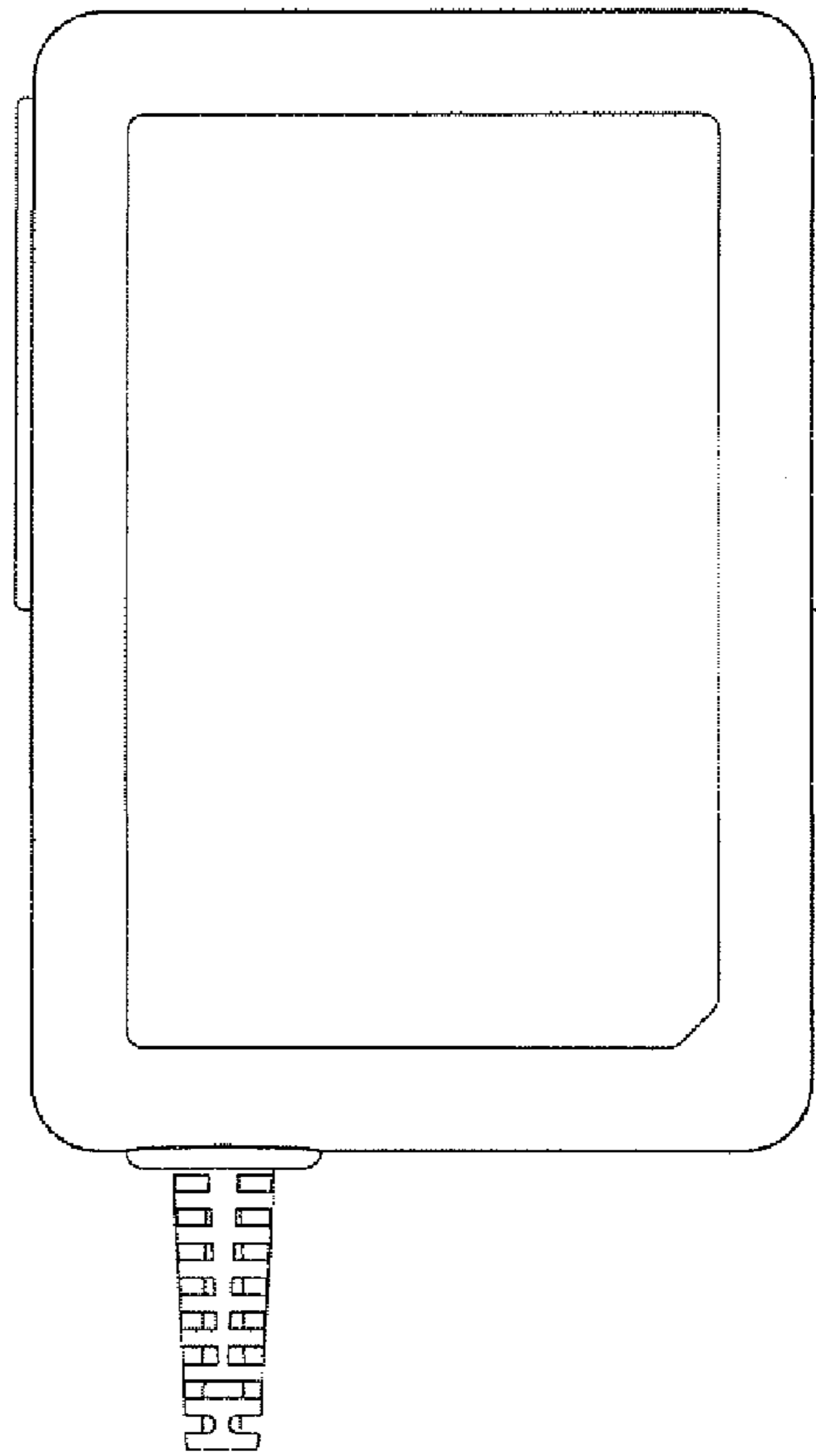


FIG. 4

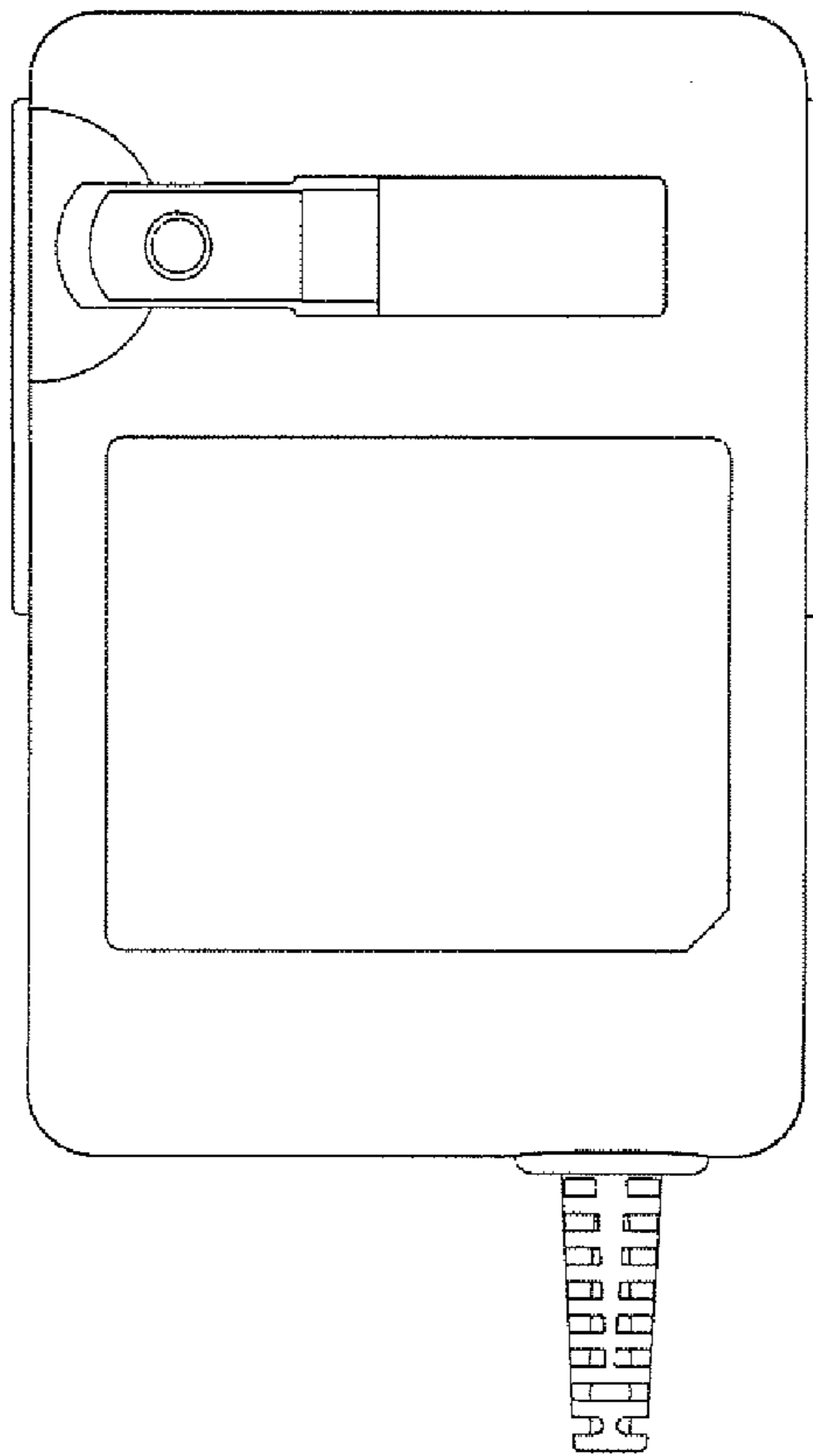


FIG. 5

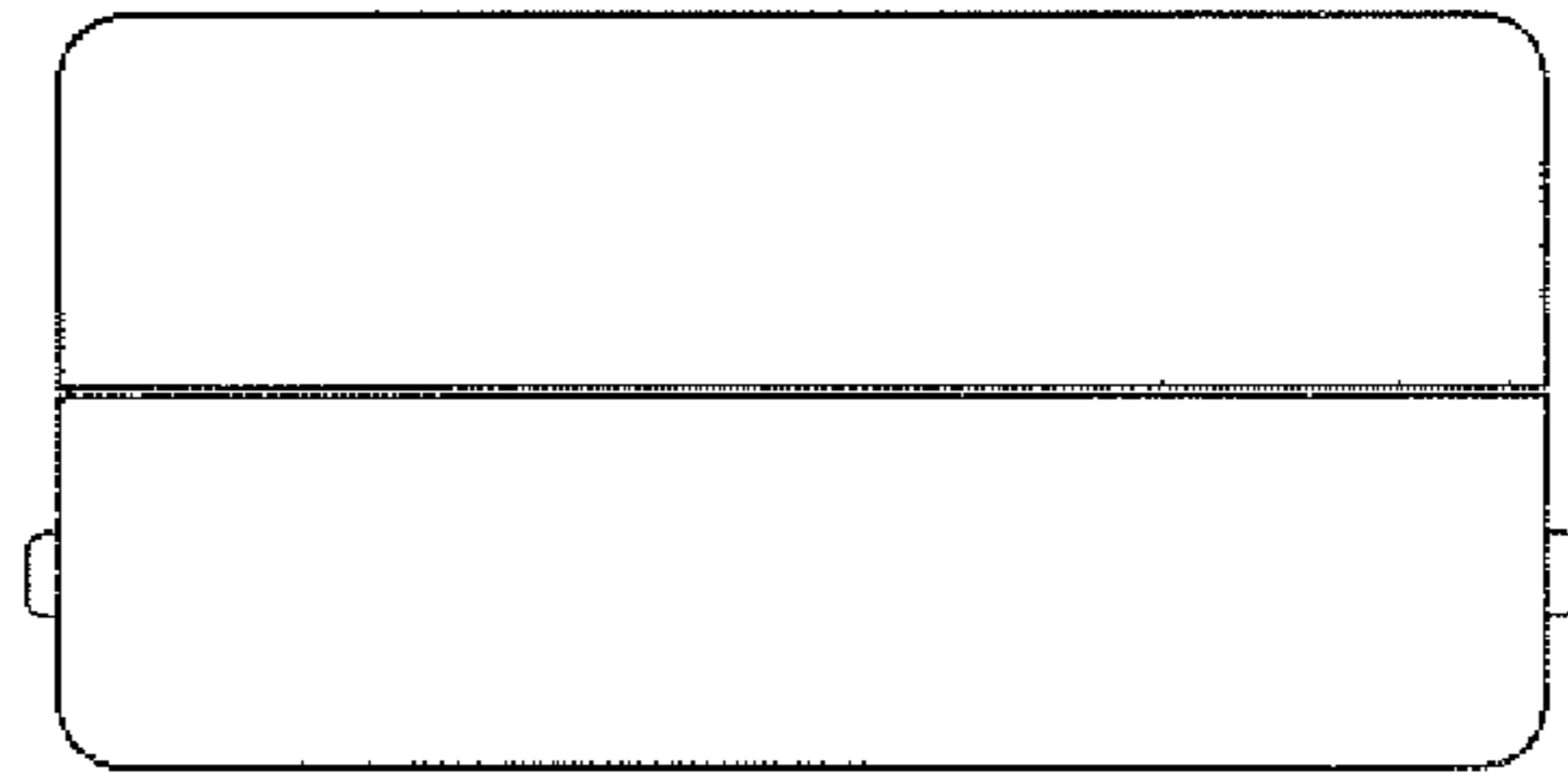


FIG. 6

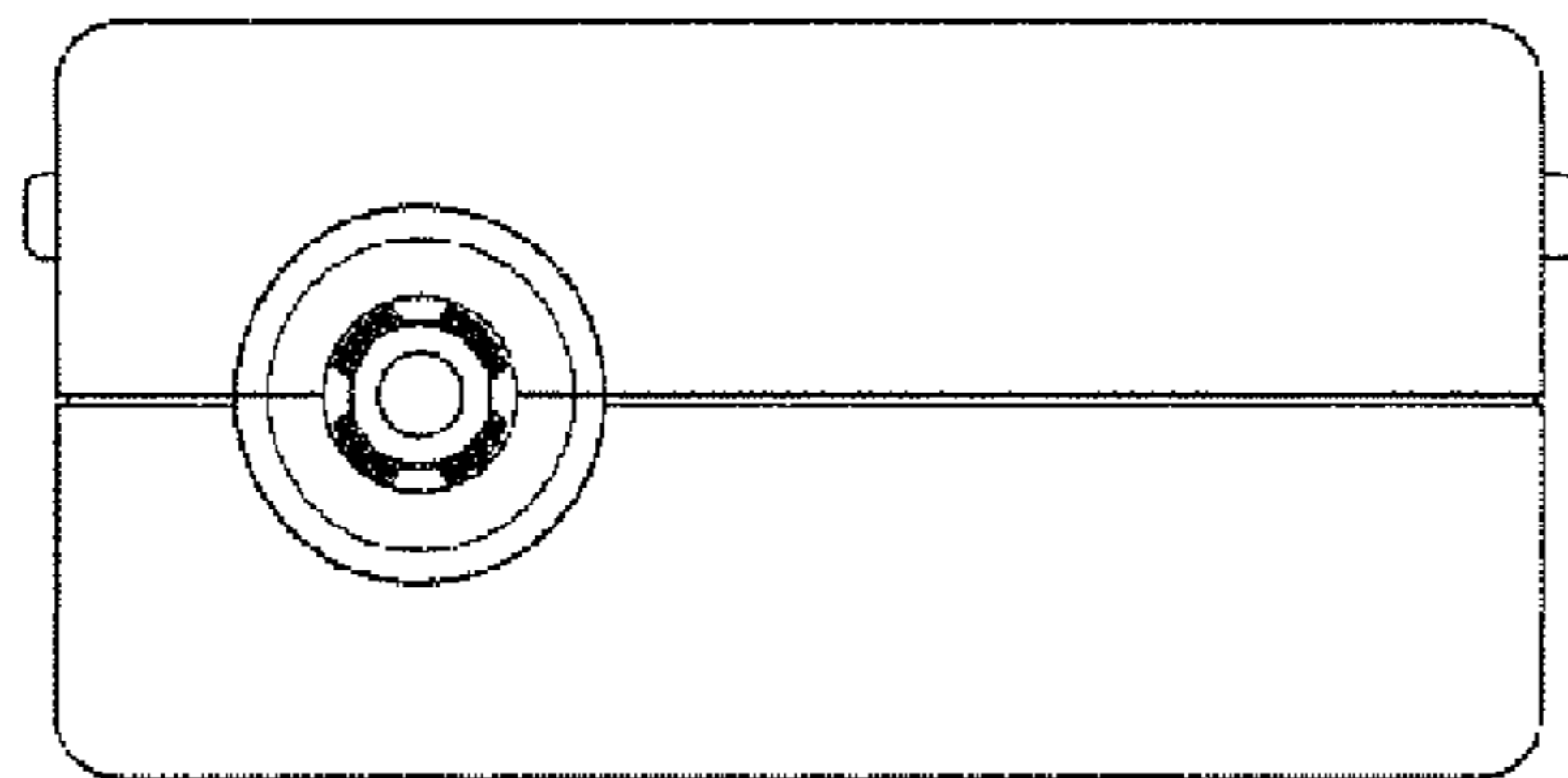


FIG. 7

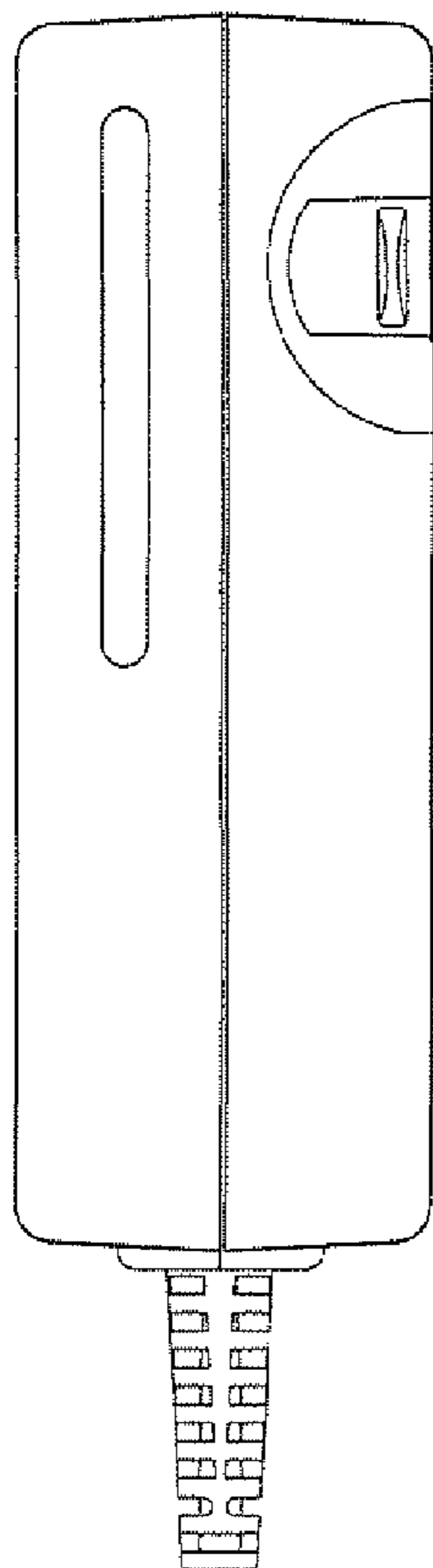


FIG. 8

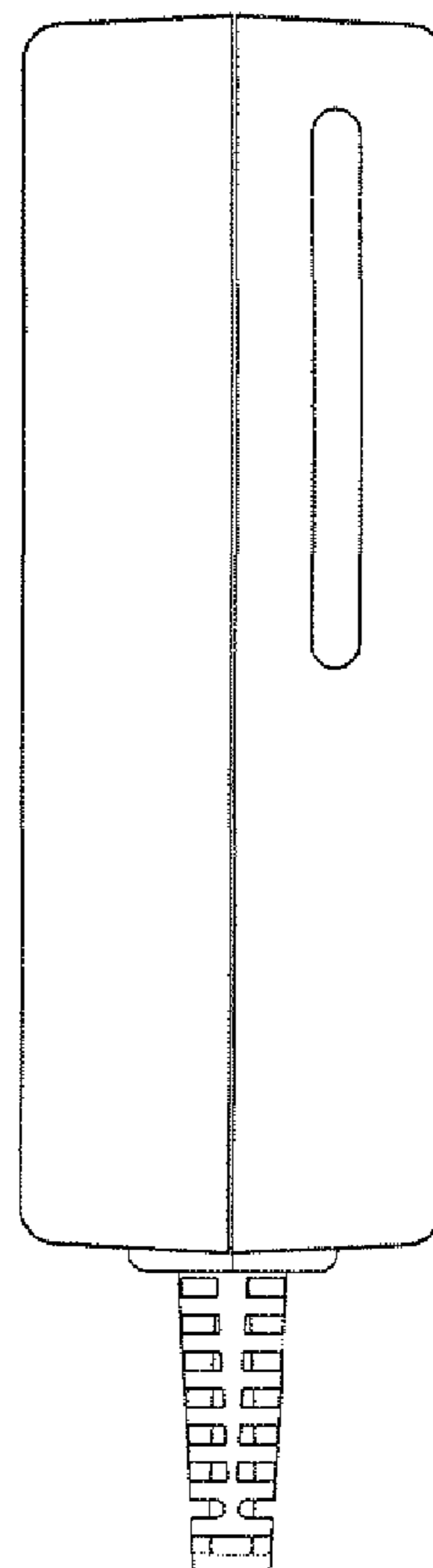


FIG. 9

