



US00D593023S

(12) **United States Design Patent**  
**Kim**

(10) **Patent No.:** **US D593,023 S**  
(45) **Date of Patent:** **\*\* May 26, 2009**

(54) **WINDSHIELD WIPER BLADE**

(76) Inventor: **In-Kyu Kim**, Sunkyung A.P.T. 15-1505,  
Seongpo-dong, Sangrok-gu, Ansan-si,  
Gyeonggi-do (KR)

(\*\*) Term: **14 Years**

(21) Appl. No.: **29/324,273**

(22) Filed: **Sep. 9, 2008**

(30) **Foreign Application Priority Data**

Jul. 28, 2008 (KR) ..... 30-2008-0032615

(51) **LOC (9) Cl.** ..... **12-06**

(52) **U.S. Cl.** ..... **D12/219**

(58) **Field of Classification Search** ..... D12/219-220;  
15/246, 247, 250.001, 250.04, 250.361, 250.19,  
15/250.48, 250.03, 250.31-250.33, 250.351,  
15/250.38, 250.201, 250.451, 250.458, 250.07,  
15/250.44

See application file for complete search history.

(56) **References Cited**

**U.S. PATENT DOCUMENTS**

5,228,167 A \* 7/1993 Yang ..... 15/250.39  
D341,561 S \* 11/1993 Heckman et al. .... D12/219  
D370,653 S \* 6/1996 Kim ..... D12/219  
6,140,608 A \* 10/2000 Stingone, Jr. .... 219/202  
D490,763 S \* 6/2004 Kim ..... D12/219  
D494,528 S \* 8/2004 Chiang ..... D12/219  
7,150,066 B1 \* 12/2006 Huang ..... 15/250.201  
D539,206 S \* 3/2007 Park ..... D12/219  
D565,494 S 4/2008 Kim

**FOREIGN PATENT DOCUMENTS**

CA 119152 1/2007  
CA 119153 1/2007

CA 119156 1/2007  
KR 2020060032419 10/2006  
KR 2020070003864 3/2007  
KR 3020070049552 11/2007  
KR 3020070049553 11/2007  
KR 3020080006130 2/2008  
KR 3020080006131 2/2008  
KR 3020080014215 4/2008  
KR 3020080019126 4/2008  
KR 3020080019129 4/2008  
KR 3020080022520 5/2008

\* cited by examiner

*Primary Examiner*—Caron Veynar

*Assistant Examiner*—Katrina A Kile

(74) *Attorney, Agent, or Firm*—Amster, Rothstein &  
Ebenstein LLP

(57) **CLAIM**

The ornamental design for a windshield wiper blade, as shown and described.

**DESCRIPTION**

FIG. 1 is a perspective view of a windshield wiper blade showing my new design;

FIG. 2 is a front view thereof;

FIG. 3 is a rear view thereof;

FIG. 4 is a left side view thereof;

FIG. 5 is a right side view thereof;

FIG. 6 is a top plan view thereof;

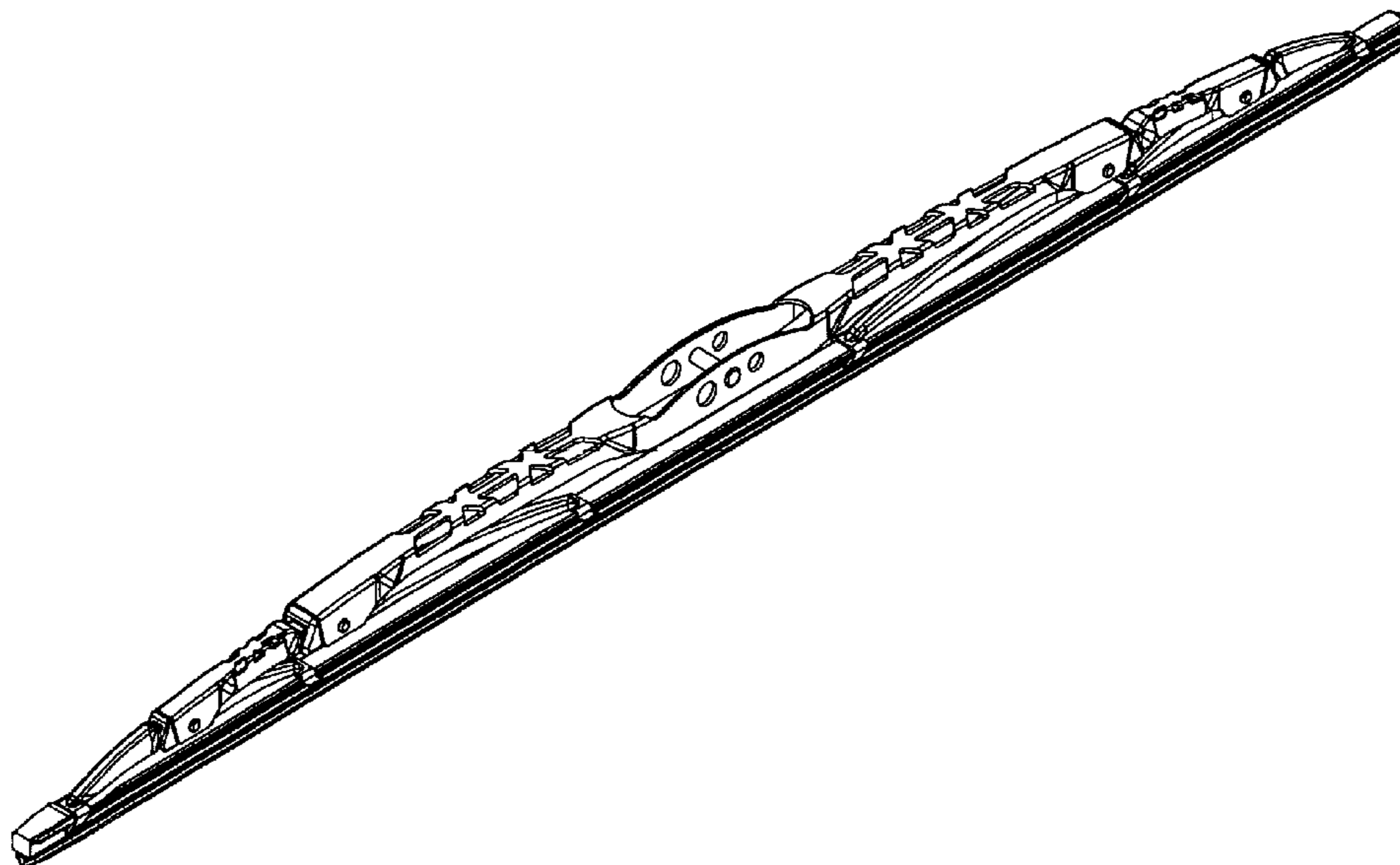
FIG. 7 is a bottom plan view thereof;

FIG. 8 is a perspective view thereof;

FIG. 9 is a perspective view thereof; and,

FIG. 10 is a perspective view thereof.

**1 Claim, 7 Drawing Sheets**



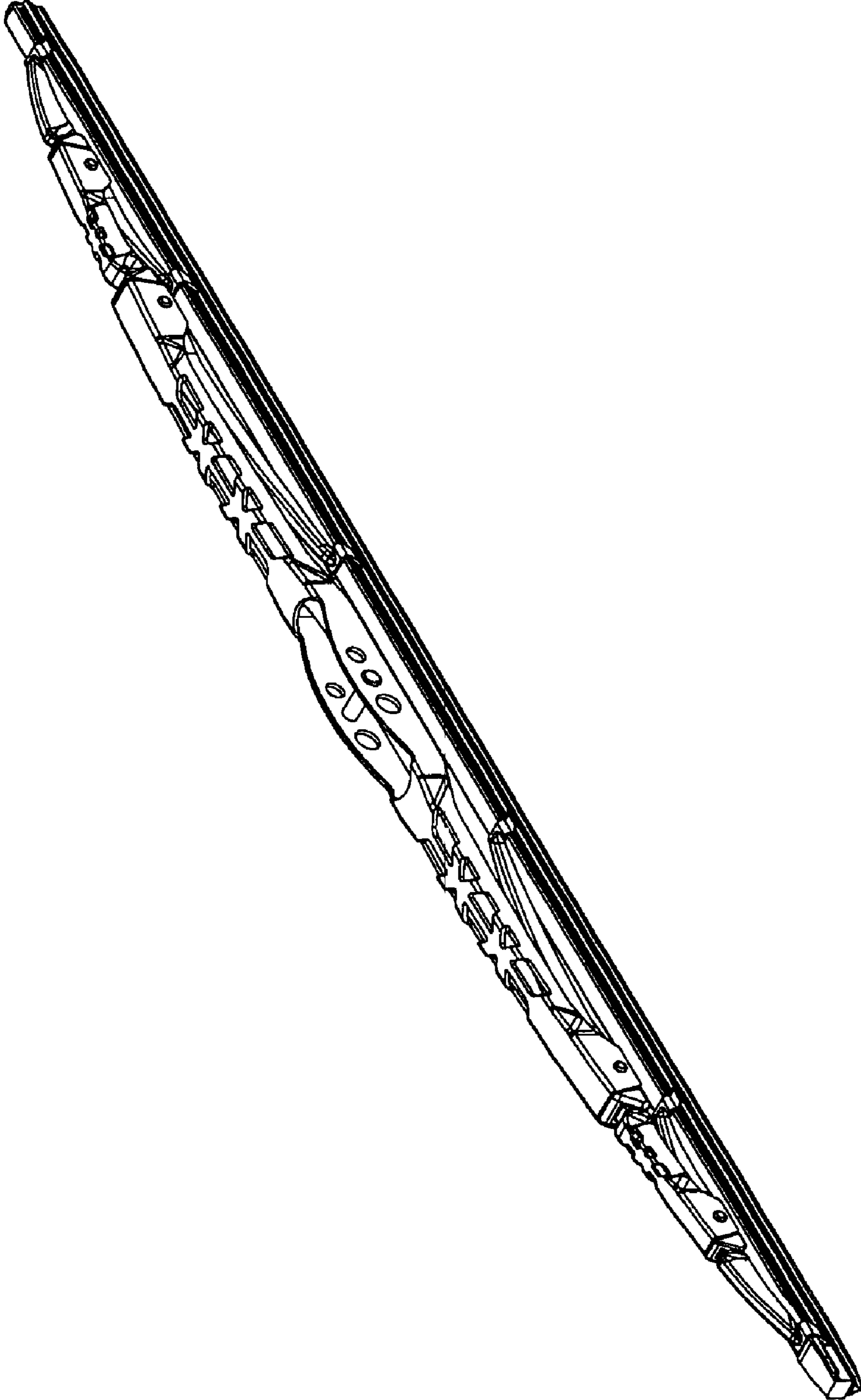


FIG. 1

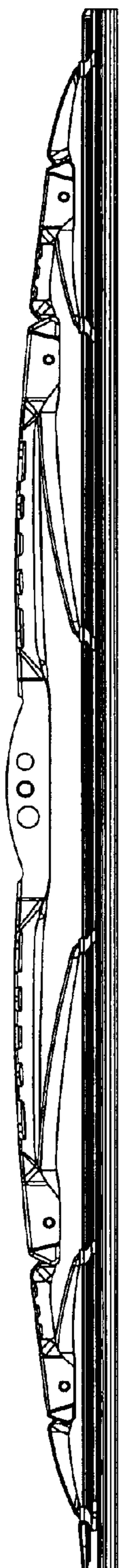


FIG. 2

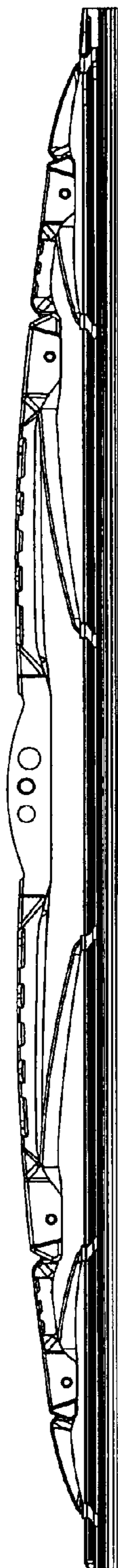


FIG. 3

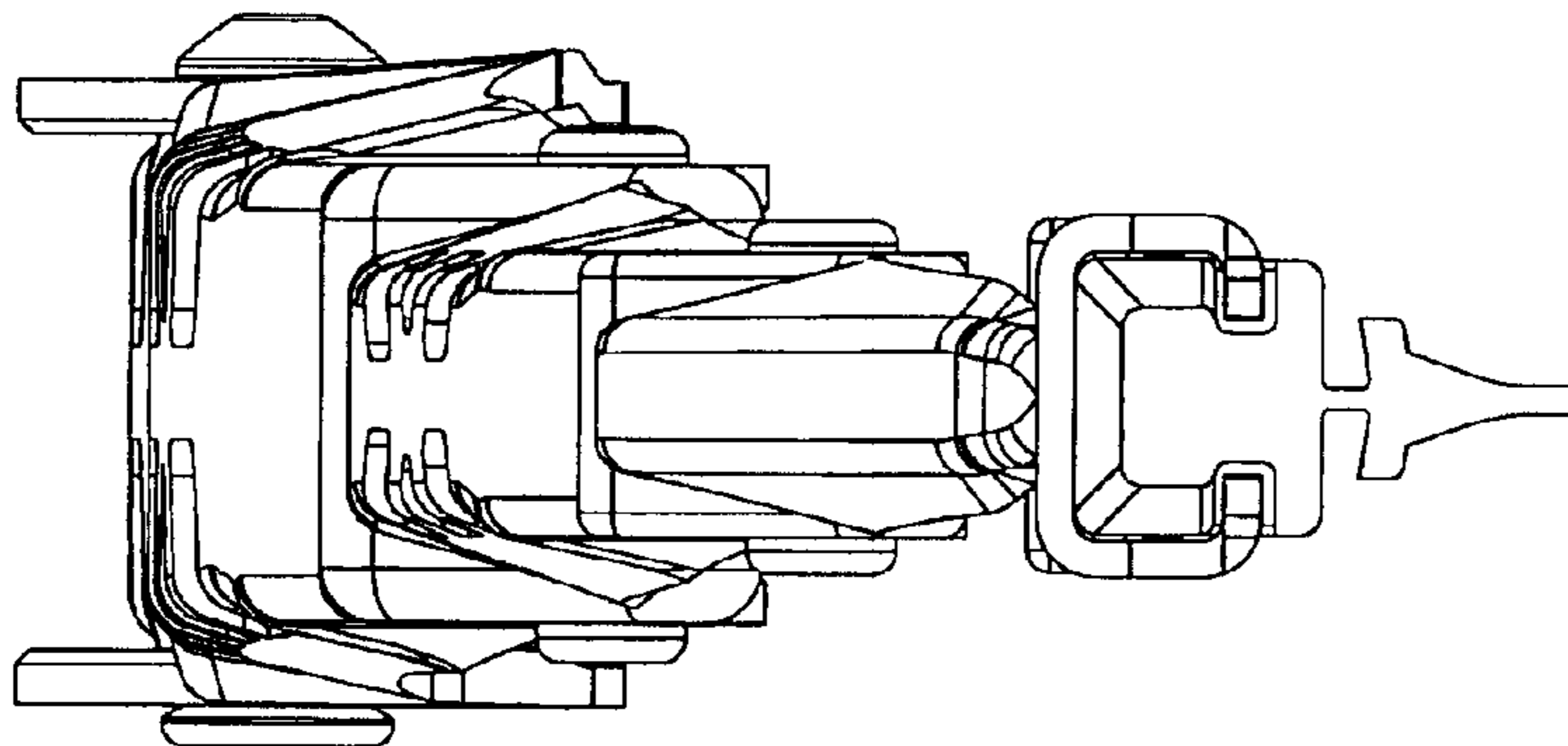


FIG. 5

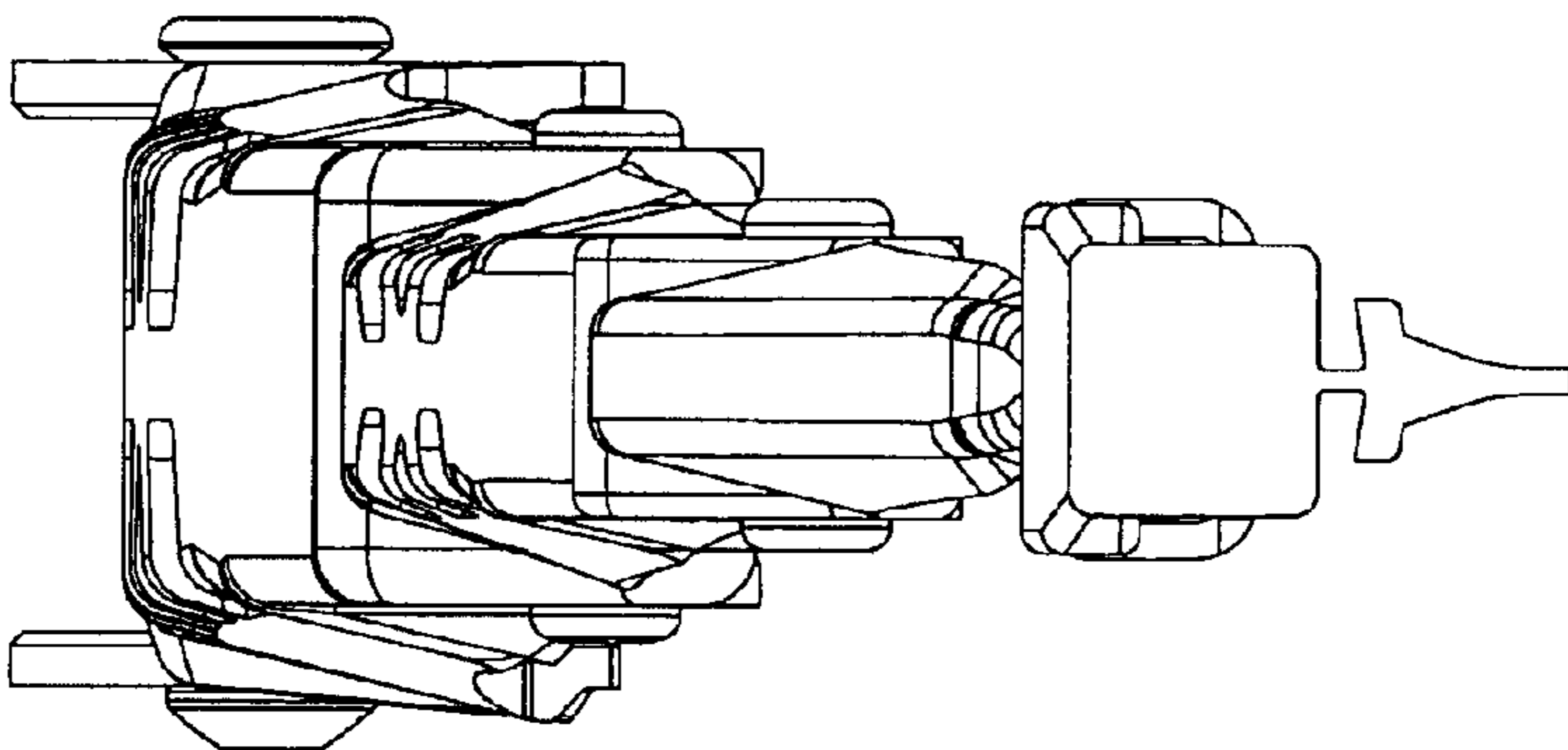


FIG. 4



FIG. 6



FIG. 7

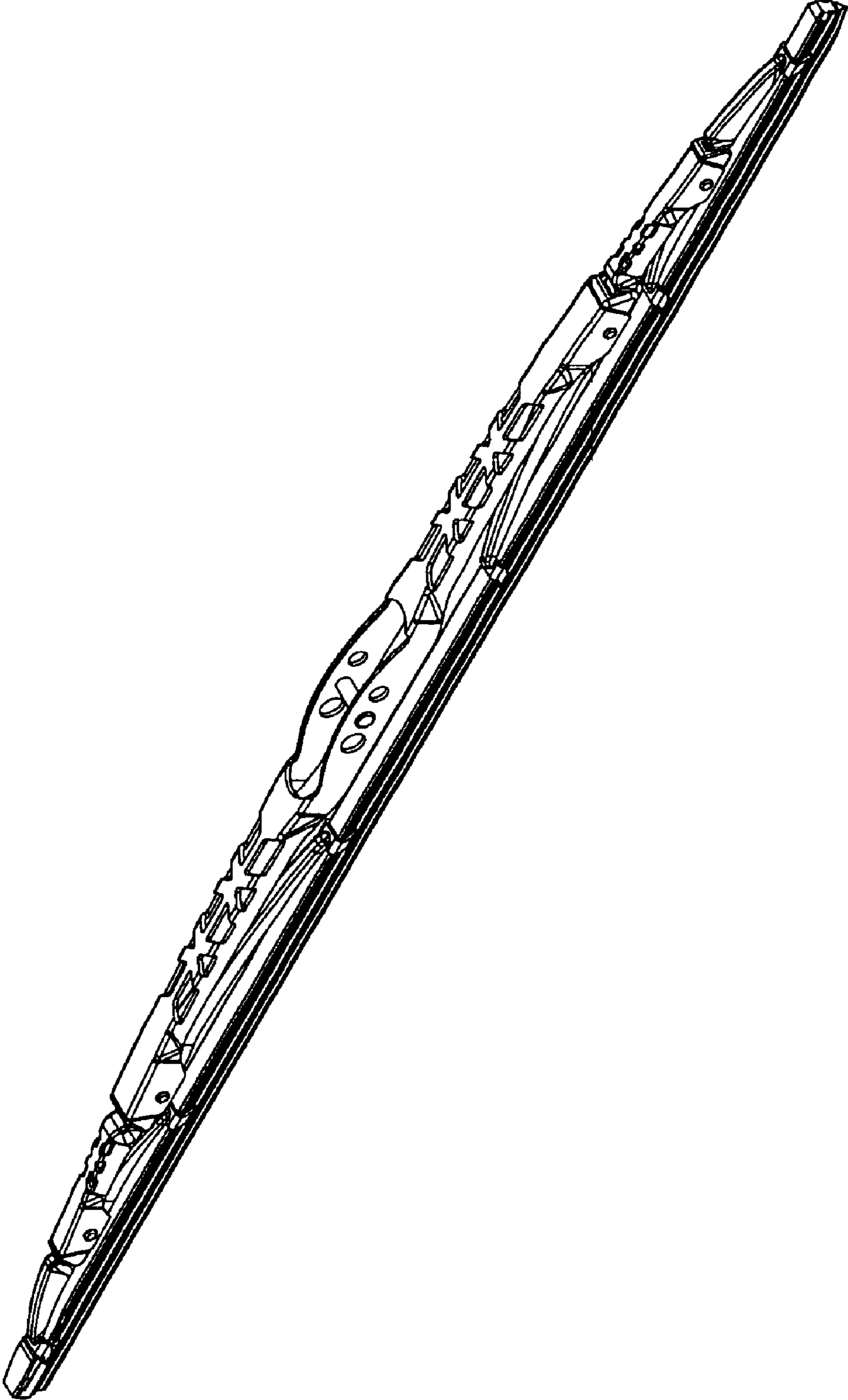


FIG. 8

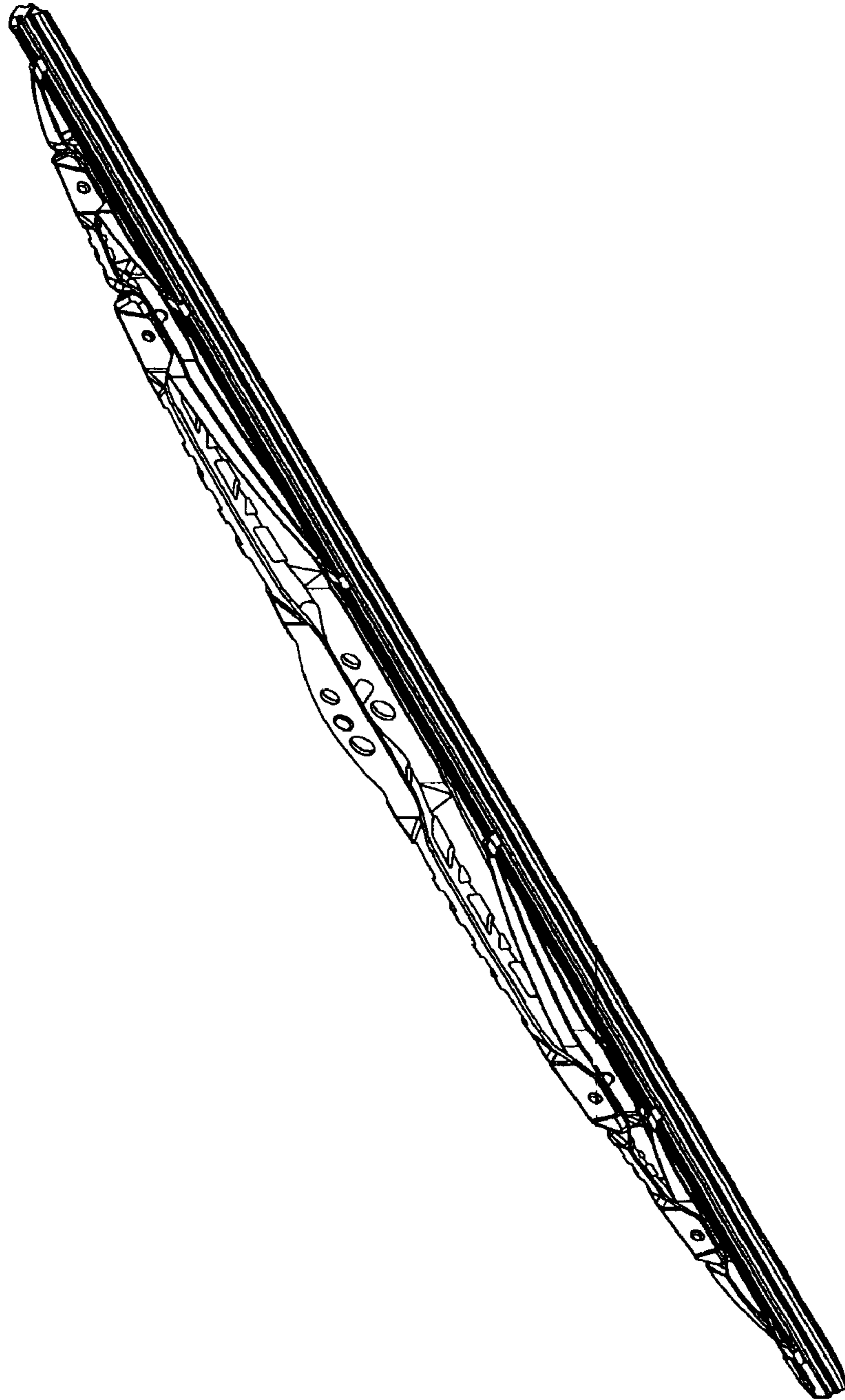


FIG. 9



FIG. 10