



US00D593021S

(12) **United States Design Patent**
Chung

(10) **Patent No.:** **US D593,021 S**

(45) **Date of Patent:** **** May 26, 2009**

(54) **AUTOMOTIVE WHEEL**

(76) **Inventor:** **Suny Chung**, 3283 Red Pine Rd., Yorba Linda, CA (US) 92886

(**) **Term:** **14 Years**

(21) **Appl. No.:** **29/313,371**

(22) **Filed:** **Dec. 31, 2008**

(51) **LOC (9) Cl.** **12-16**

(52) **U.S. Cl.** **D12/211**

(58) **Field of Classification Search** D12/204-213;
301/37.101, 64.101, 65, 64.201

See application file for complete search history.

(56) **References Cited**

U.S. PATENT DOCUMENTS

D421,953 S *	3/2000	Sims et al.	D12/211
D477,266 S *	7/2003	Chung	D12/211
D486,115 S *	2/2004	Chung	D12/211
D493,404 S *	7/2004	Baum	D12/211
D504,382 S *	4/2005	Elmitt	D12/211
D505,372 S *	5/2005	Kushartanto	D12/209
D521,438 S *	5/2006	Nordmann	D12/211
D536,653 S *	2/2007	Rasmussen et al.	D12/211

D537,026 S *	2/2007	Nordmann	D12/209
D542,728 S *	5/2007	Ichinose et al.	D12/211
D546,748 S *	7/2007	Young	D12/211
D569,777 S *	5/2008	Chung	D12/211
D576,095 S *	9/2008	Chung	D12/211
D576,096 S *	9/2008	Chung	D12/211
D578,053 S *	10/2008	Neeper	D12/211
D579,846 S *	11/2008	Chung	D12/209

* cited by examiner

Primary Examiner—Cathron C Brooks

Assistant Examiner—Austin Murphy

(57) **CLAIM**

The ornamental design for an automotive wheel, as shown and described.

DESCRIPTION

FIG. 1 is a perspective view of an automotive wheel, showing my new design; and,

FIG. 2 is a front view thereof.

The broken lines shown in FIG. 1 show portions of the wheel that form no part of the claimed design.

1 Claim, 2 Drawing Sheets

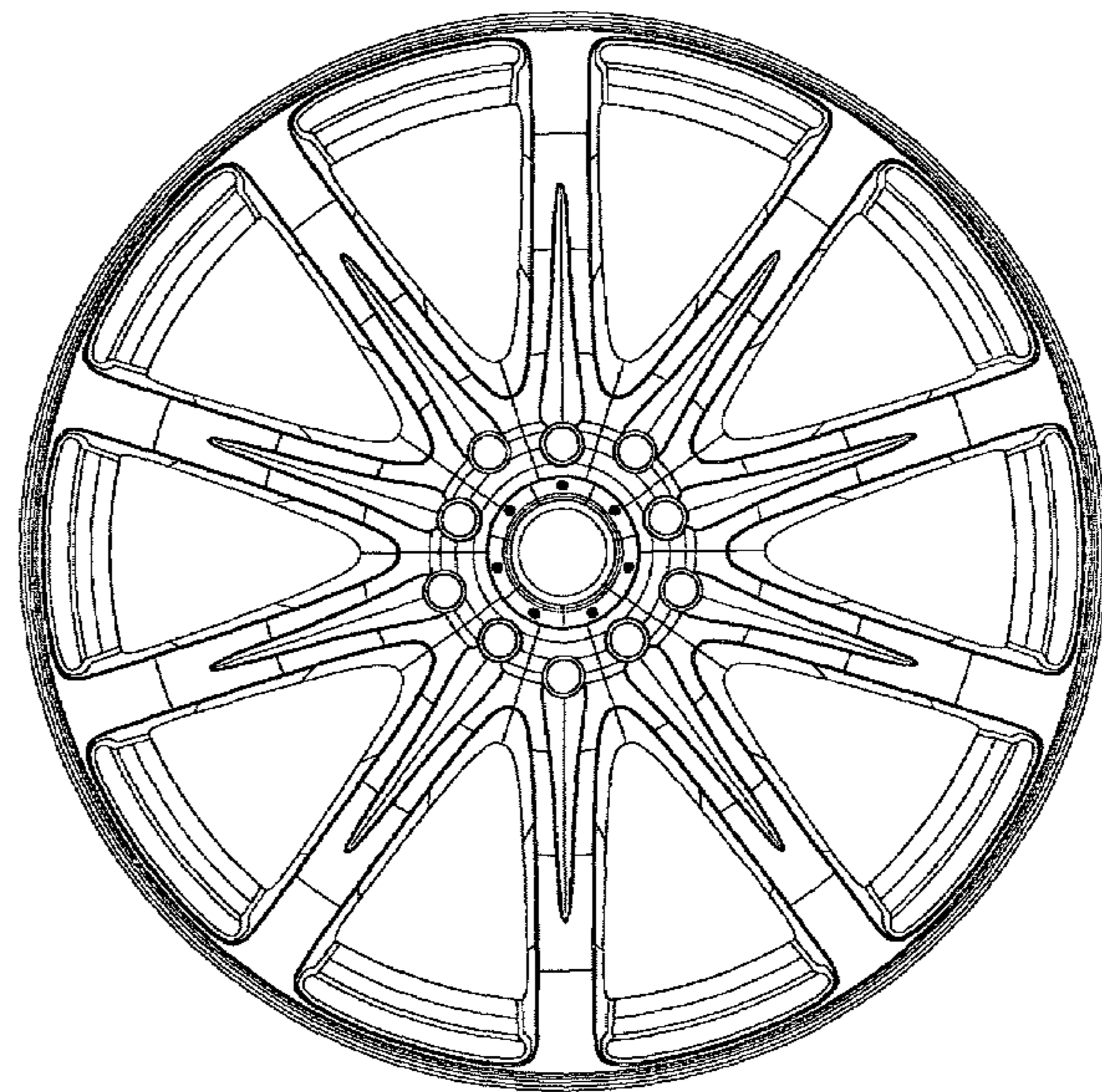
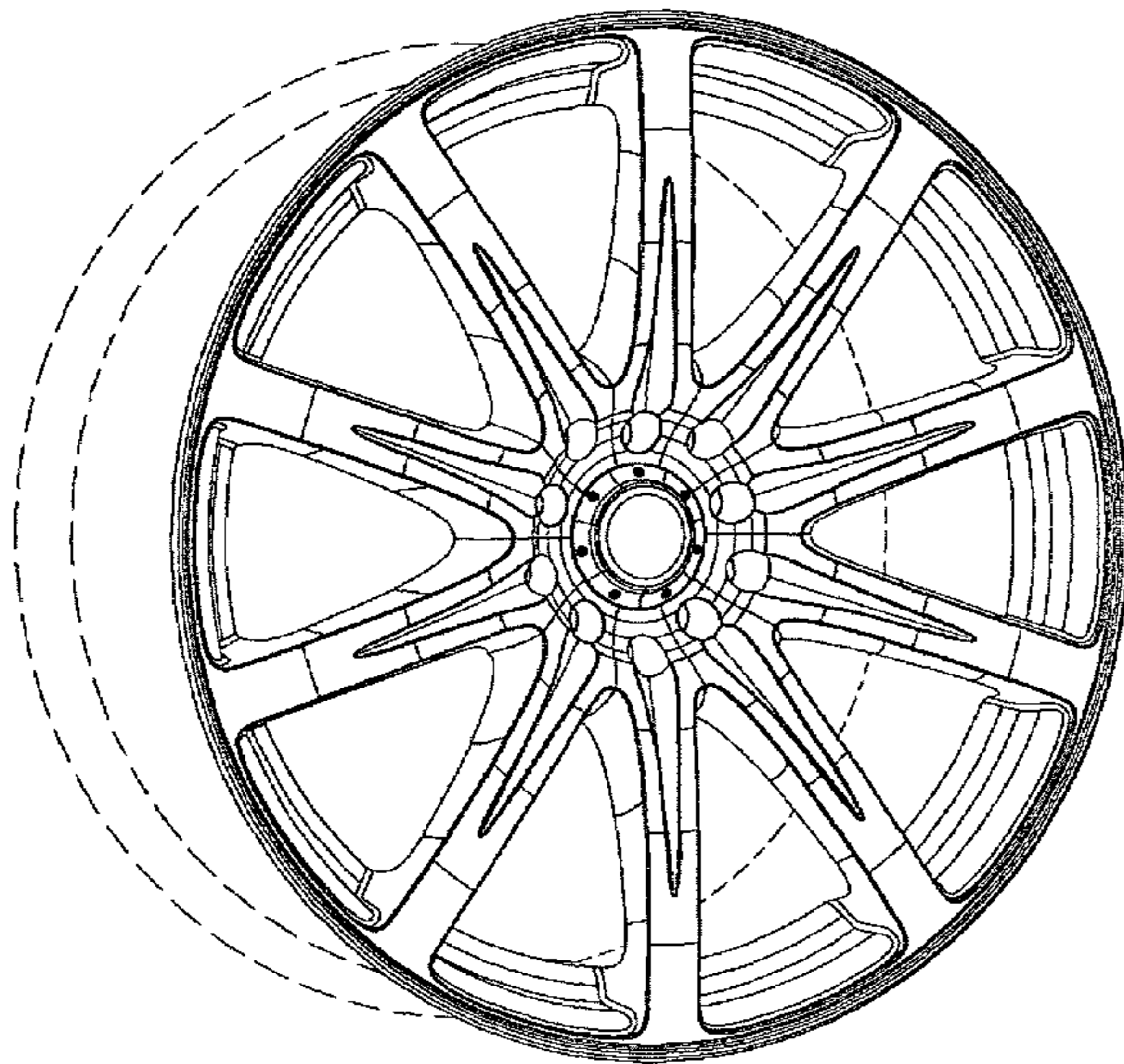


Figure 1

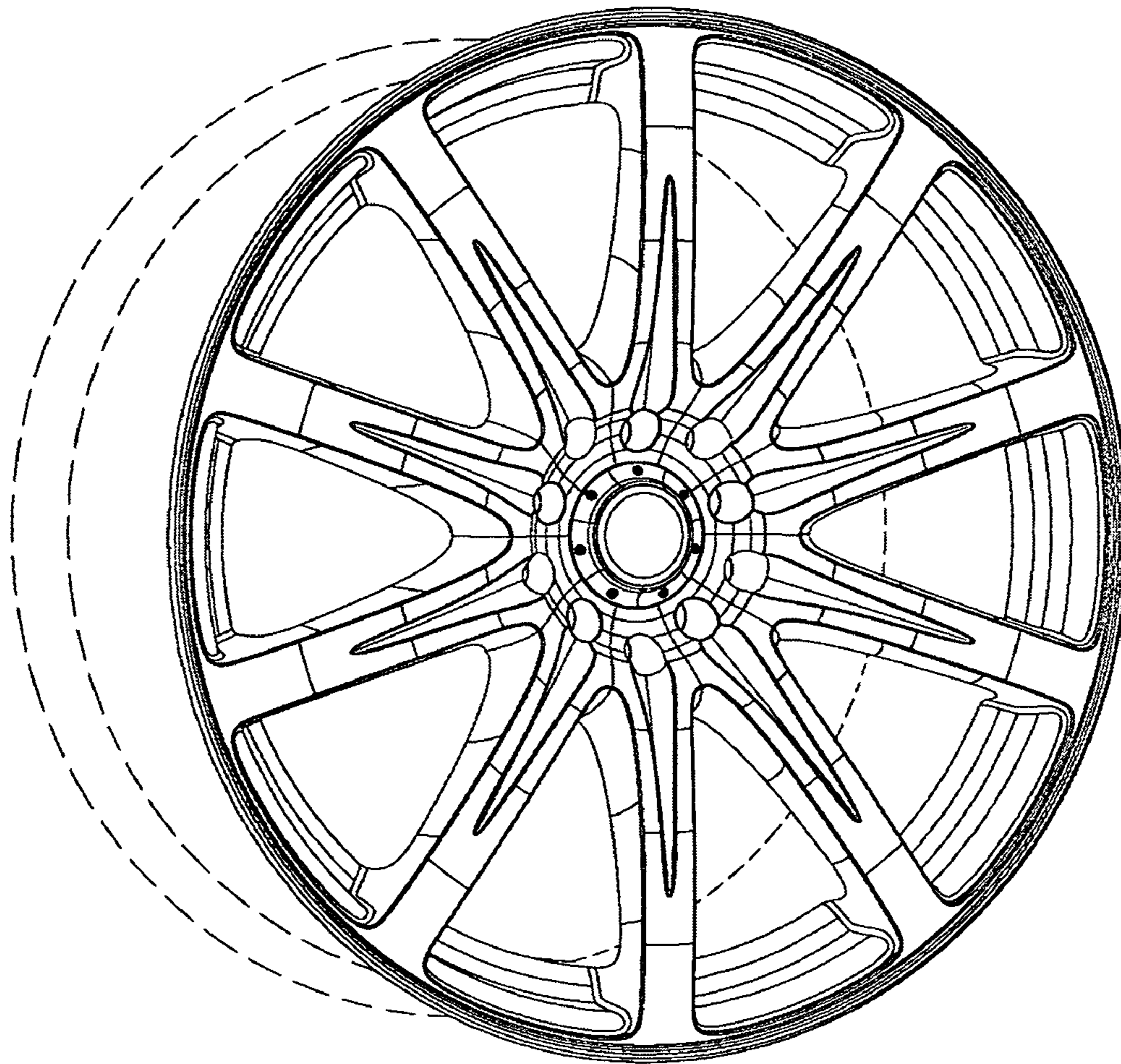


Figure 2

