



US00D593020S

(12) **United States Design Patent**
Blasi

(10) **Patent No.:** **US D593,020 S**
(45) **Date of Patent:** **** May 26, 2009**

(54) **FRONT FACE OF A VEHICLE WHEEL**

(75) Inventor: **Juliane Blasi**, Munich (DE)

(73) Assignee: **Bayerische Motoren Werke Aktiengesellschaft**, Munich (DE)

(**) Term: **14 Years**

(21) Appl. No.: **29/270,303**

(22) Filed: **Dec. 21, 2006**

(30) **Foreign Application Priority Data**

Jun. 22, 2006 (DE) 4 06 03 373

(51) **LOC (9) Cl.** **12-16**

(52) **U.S. Cl.** **D12/211**

(58) **Field of Classification Search** D12/204-213;
301/37.101, 64.101, 65, 64.201
See application file for complete search history.

(56) **References Cited**

U.S. PATENT DOCUMENTS

D402,251 S *	12/1998	Timm	D12/211
D405,749 S *	2/1999	Kulla	D12/211
D413,853 S *	9/1999	Hale, Jr.	D12/211
D421,953 S *	3/2000	Sims et al.	D12/211
D457,118 S *	5/2002	Bhambra	D12/211
D473,836 S *	4/2003	Laengerer	D12/211

D493,404 S *	7/2004	Baum	D12/211
D494,525 S *	8/2004	Borkert	D12/211
D503,668 S *	4/2005	Boyer	D12/209
D504,097 S *	4/2005	Markefka	D12/209
D521,438 S *	5/2006	Nordmann	D12/211
D526,610 S *	8/2006	Muzzarelli	D12/211
D528,962 S	9/2006	Blasi		
D537,026 S *	2/2007	Nordmann	D12/209
D542,728 S *	5/2007	Ichinose	D12/211
D558,118 S *	12/2007	Hueller	D12/211
D584,210 S *	1/2009	Baum	D12/211

* cited by examiner

Primary Examiner—Cathron C Brooks

Assistant Examiner—Austin Murphy

(74) *Attorney, Agent, or Firm*—Crowell & Moring LLP

(57) **CLAIM**

The ornamental design for a front face of a vehicle wheel, as shown and described.

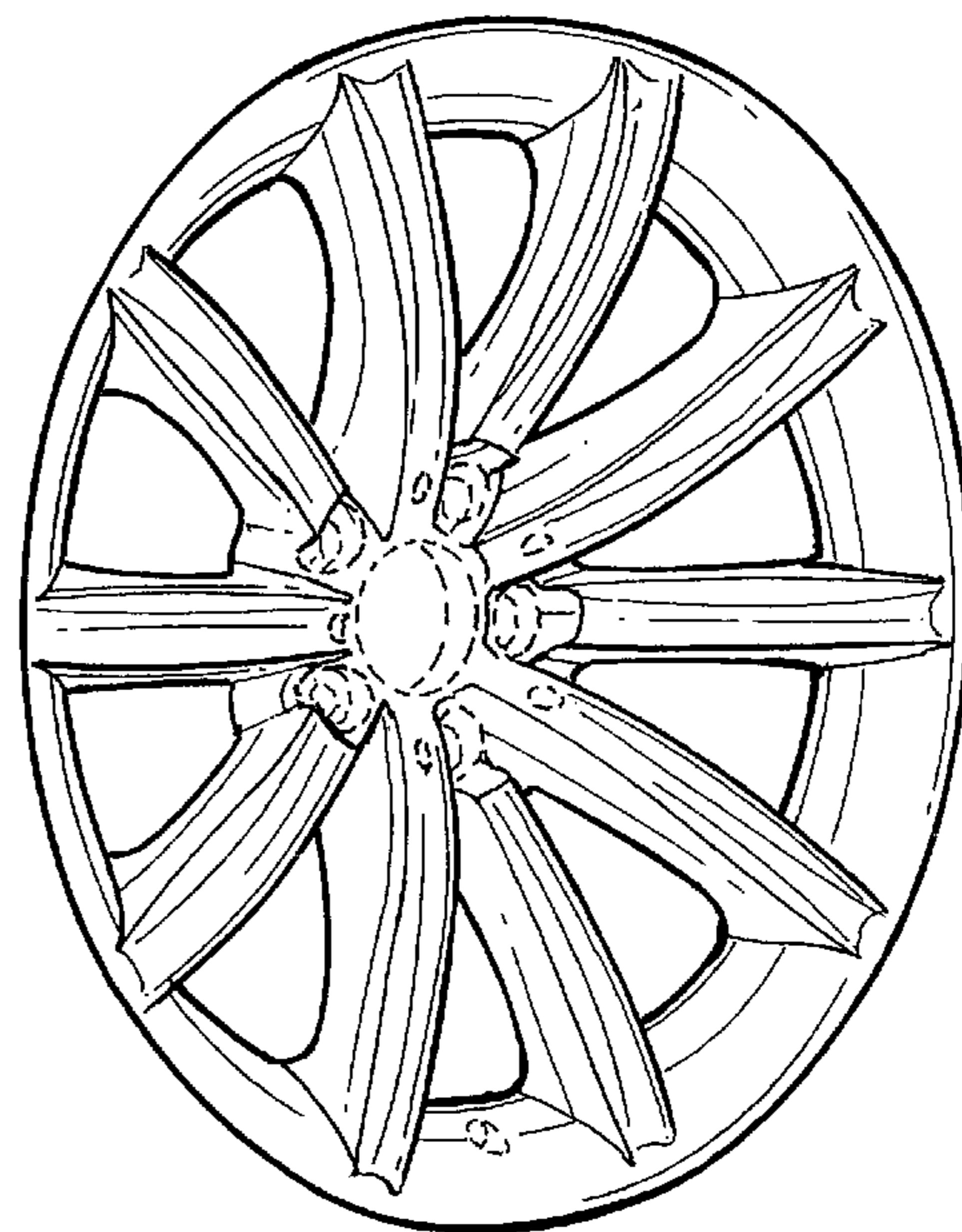
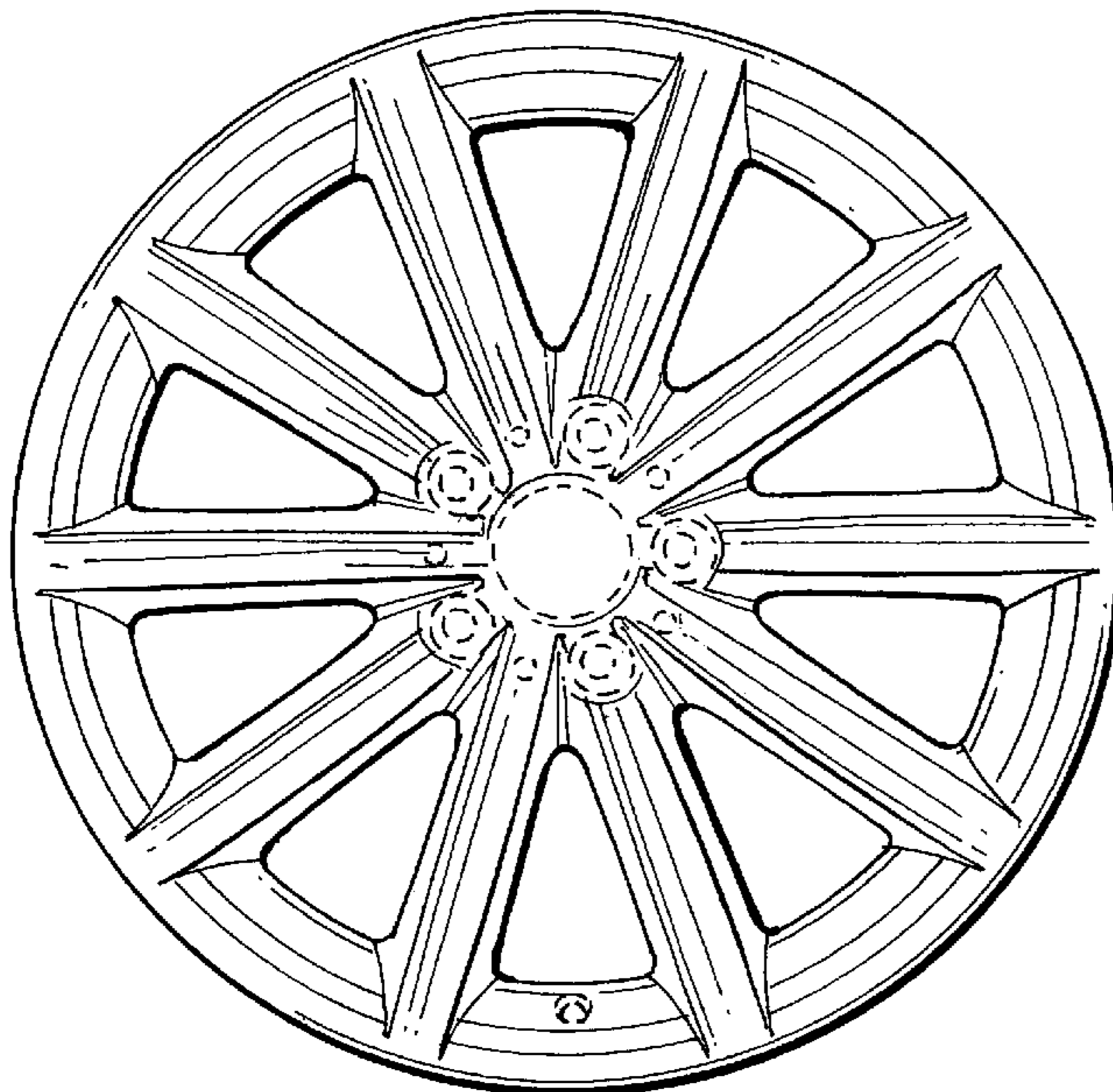
DESCRIPTION

FIG. 1 is a front view of a front face of a vehicle wheel according to my design; and,

FIG. 2 is a perspective view thereof.

The broken lines are for illustrative purposes only and form no part of the claimed design.

1 Claim, 1 Drawing Sheet



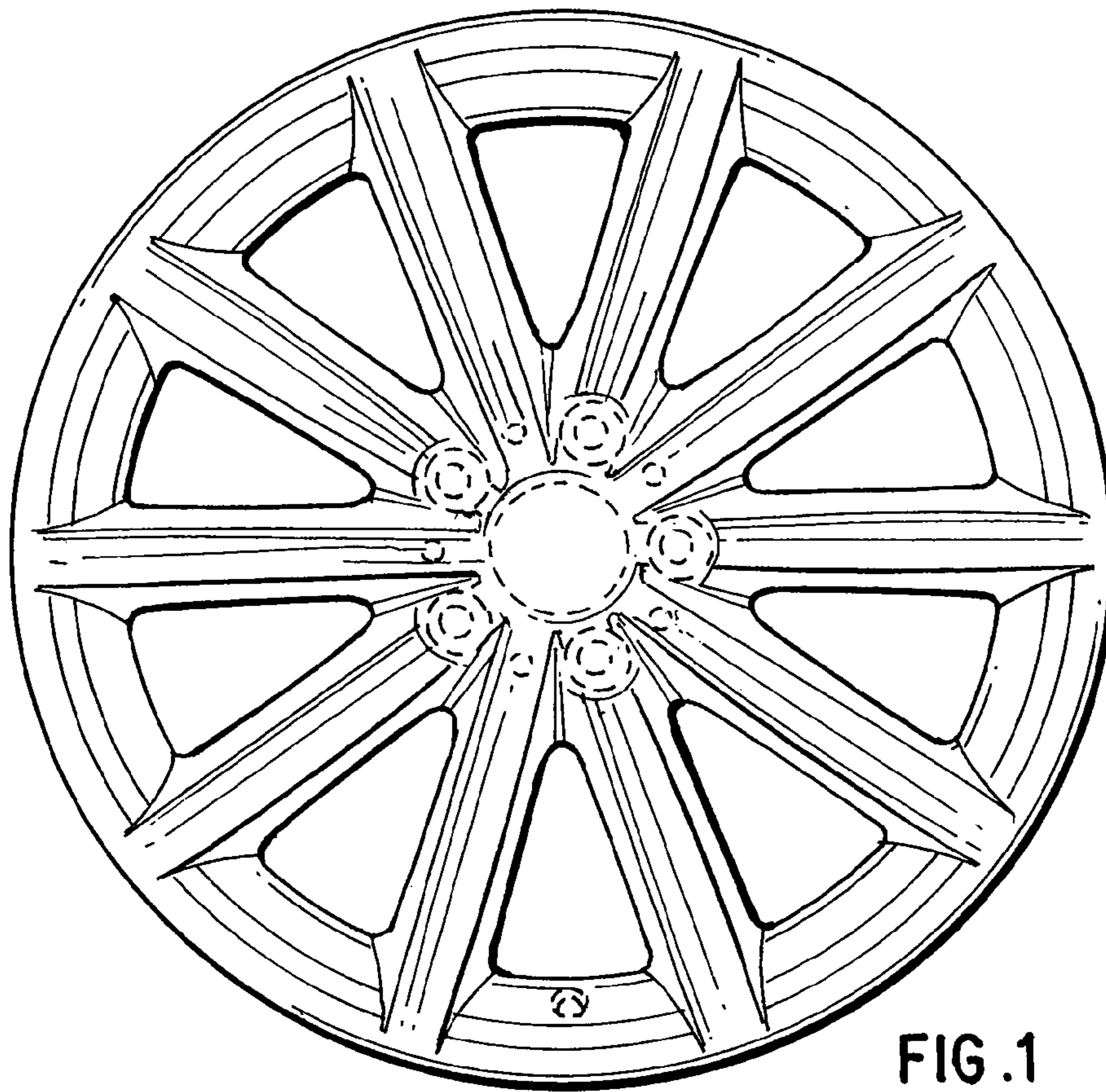


FIG. 1

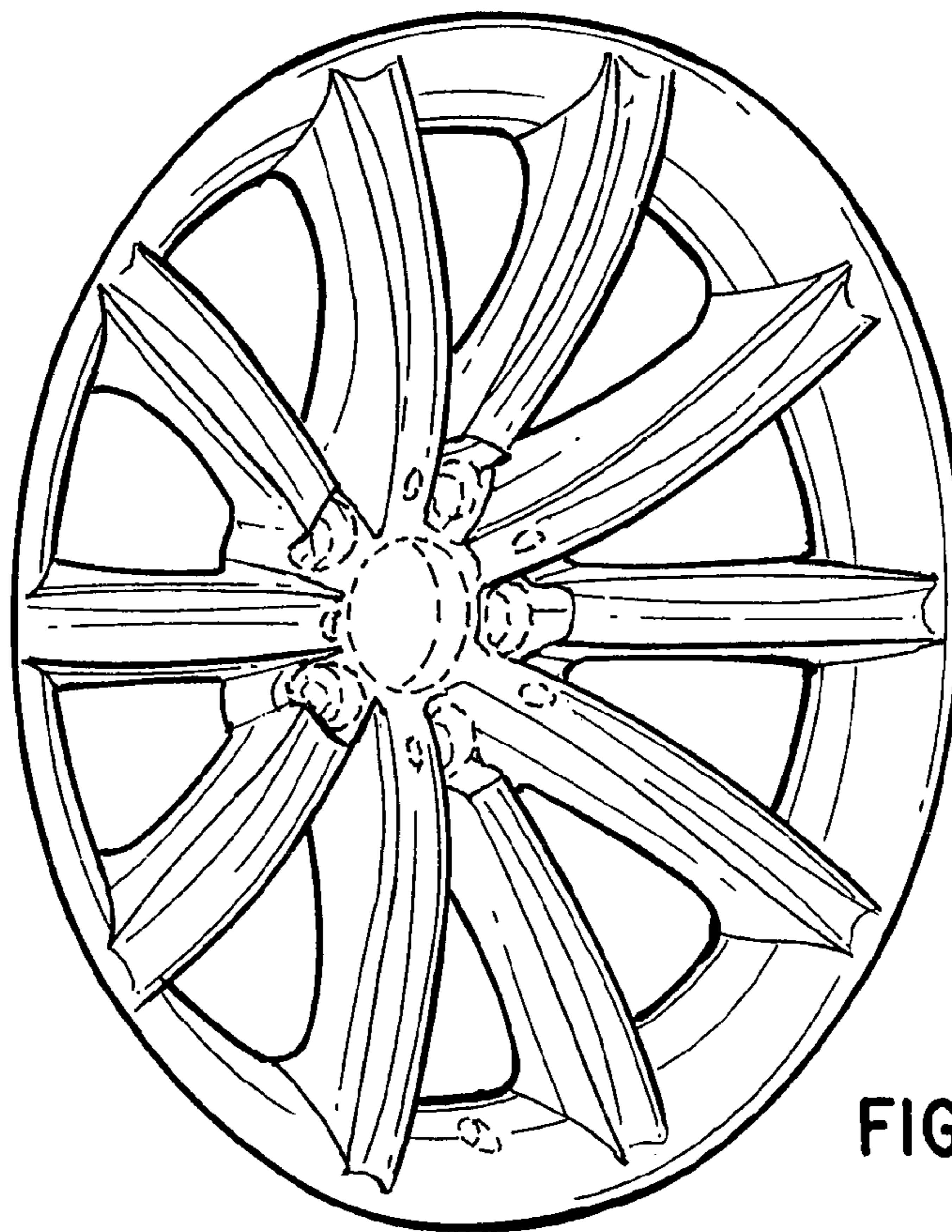


FIG. 2