



US00D593018S

(12) **United States Design Patent**  
**Juergens et al.**

(10) **Patent No.:** **US D593,018 S**  
(45) **Date of Patent:** **\*\* May 26, 2009**

(54) **WHEEL OR WHEEL COVER**

(75) Inventors: **Dirk Juergens**, Munich (DE); **Rainer Mueller**, Munich (DE); **Robert Powell**, Diessen (DE)

(73) Assignee: **Bayerische Motoren Werke Aktiengesellschaft**, Munich (DE)

(\*\*) Term: **14 Years**

(21) Appl. No.: **29/309,910**

(22) Filed: **Nov. 7, 2008**

(30) **Foreign Application Priority Data**

May 9, 2008 (DE) ..... 402008002370

(51) **LOC (9) Cl.** ..... **12-16**

(52) **U.S. Cl.** ..... **D12/209**

(58) **Field of Classification Search** ..... D12/204–213;  
301/37.101, 64.101, 65, 64.201  
See application file for complete search history.

(56) **References Cited**

**U.S. PATENT DOCUMENTS**

D451,461 S \* 12/2001 Arellano ..... D12/209  
D460,396 S \* 7/2002 Kember et al. .... D12/209

D491,124 S 6/2004 Rice  
D504,097 S 4/2005 Markefka  
D512,007 S \* 11/2005 Sze ..... D12/209  
D522,435 S \* 6/2006 Long ..... D12/209  
D531,102 S \* 10/2006 Looho ..... D12/209  
D539,720 S \* 4/2007 Looho ..... D12/209  
D560,585 S 1/2008 Blasi  
D583,740 S \* 12/2008 Frizzi ..... D12/209

\* cited by examiner

*Primary Examiner*—Stacia Cadmus

(74) *Attorney, Agent, or Firm*—Crowell & Moring LLP

(57) **CLAIM**

The ornamental design for a wheel or wheel cover, as shown and described.

**DESCRIPTION**

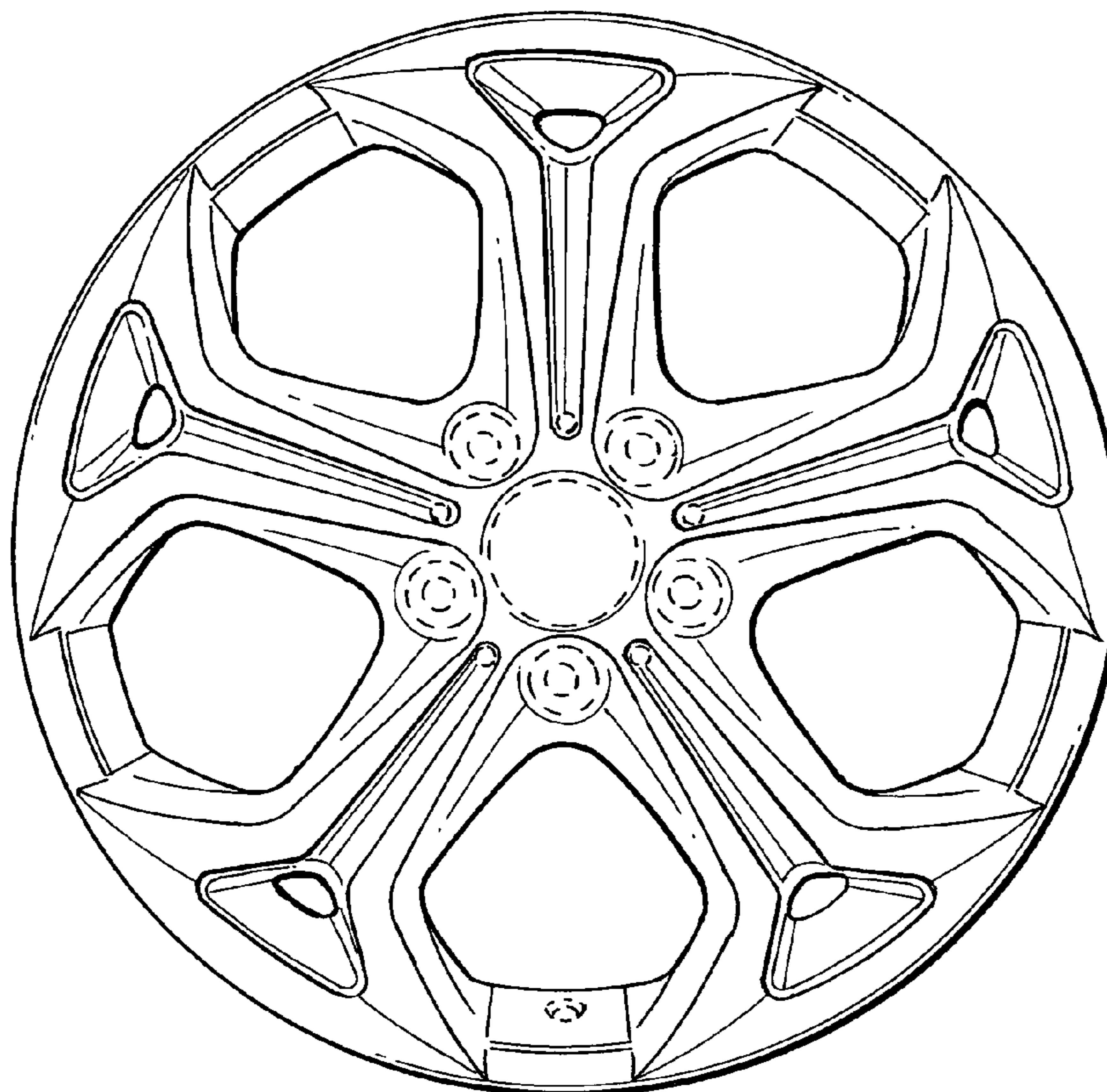
This application is related to co-pending application Ser. No. 29/290,882, filed Jan. 25, 2008.

FIG. 1 is a front view of a wheel or wheel cover according to our novel design; and,

FIG. 2 is a perspective view thereof.

The broken line showing of the rear of the rim, the bolt holes and the center cap is included for the purpose of illustrating environment and forms no part of the claimed design.

**1 Claim, 1 Drawing Sheet**



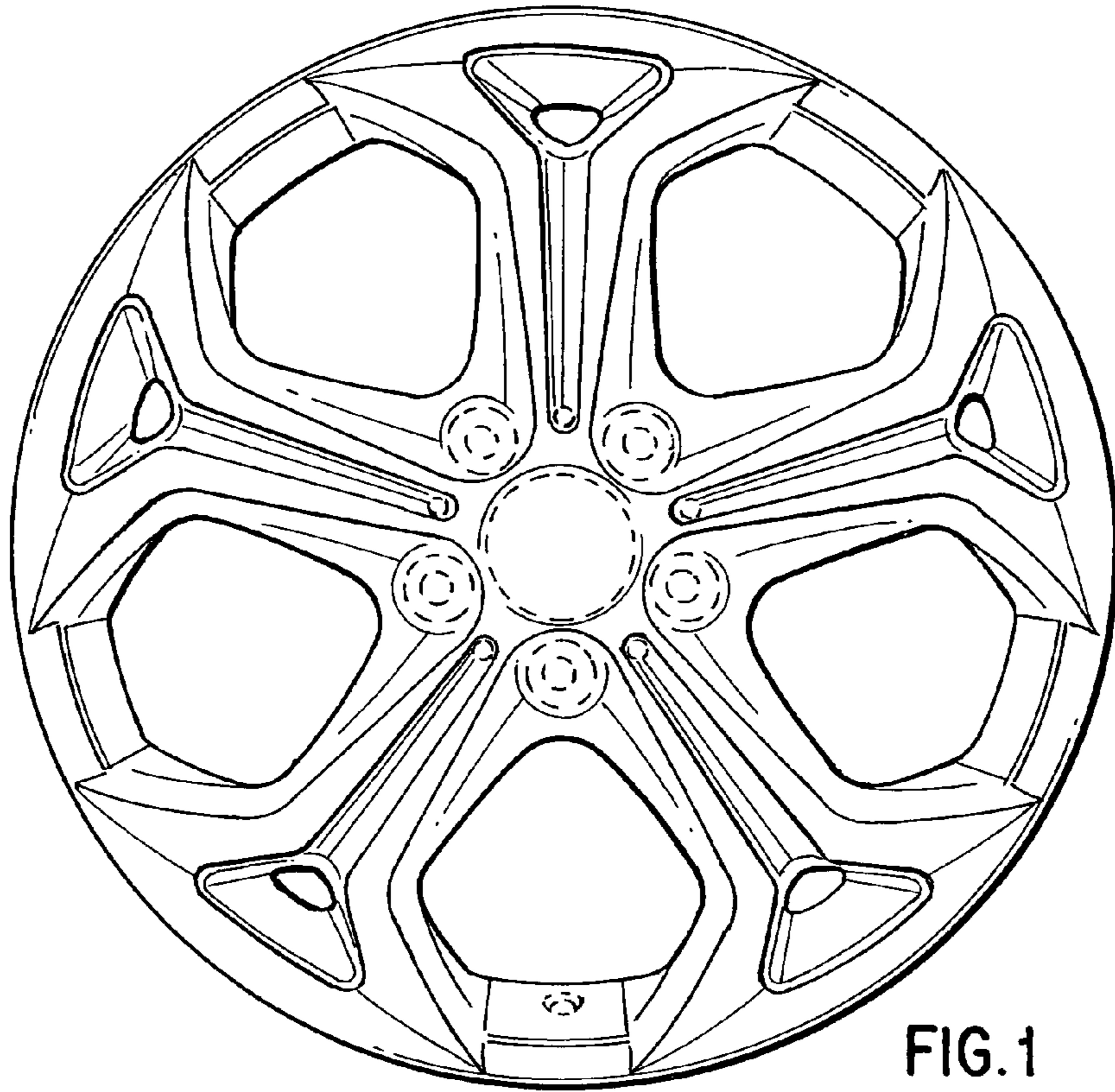


FIG. 1

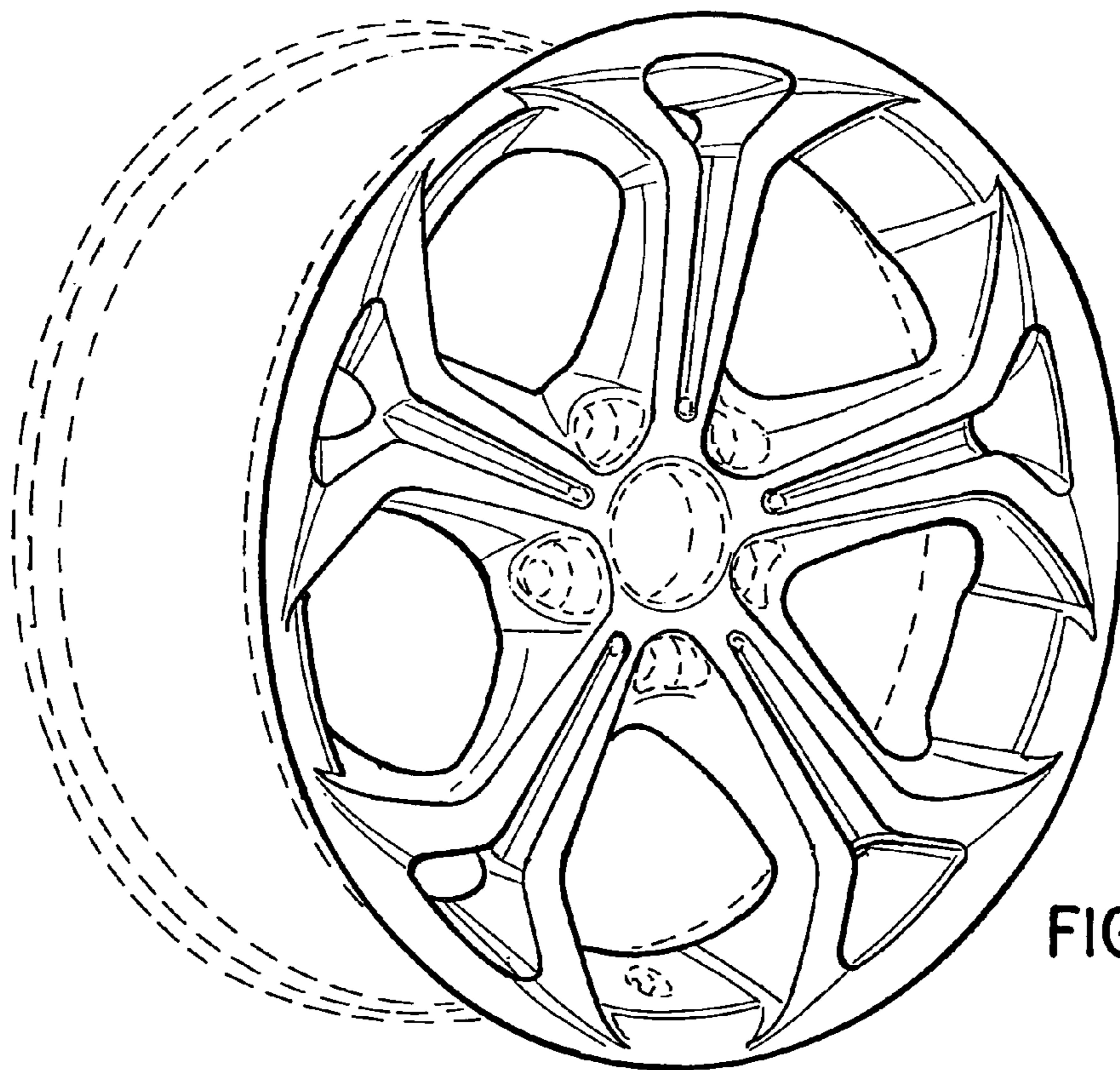


FIG. 2