



US00D593017S

(12) **United States Design Patent**  
**Antoniadis et al.**

(10) **Patent No.:** **US D593,017 S**

(45) **Date of Patent:** **\*\* May 26, 2009**

(54) **FRONT FACE OF A VEHICLE WHEEL**

(75) Inventors: **Apostolos Antoniadis**, Sindelfingen (DE); **Martin Kreidl**, Sindelfingen (DE); **Peter Pfeiffer**, Boeblingen (DE); **Frank Spoerle**, Leonberg (DE)

(73) Assignee: **Daimler AG**, Stuttgart (DE)

(\*\*) Term: **14 Years**

(21) Appl. No.: **29/290,796**

(22) Filed: **Jan. 15, 2008**

(30) **Foreign Application Priority Data**

Jul. 16, 2007 (EM) ..... 000758024

(51) **LOC (9) Cl.** ..... **12-16**

(52) **U.S. Cl.** ..... **D12/209**

(58) **Field of Classification Search** ..... D12/204-213;  
301/37.101, 64.101, 65, 64.201  
See application file for complete search history.

(56) **References Cited**

**U.S. PATENT DOCUMENTS**

D477,266 S *	7/2003	Chung	.....	D12/211
D481,342 S *	10/2003	Kang	.....	D12/209
D493,404 S *	7/2004	Baum	.....	D12/211
D503,668 S *	4/2005	Boyer	.....	D12/209
D504,382 S *	4/2005	Elmitt	.....	D12/211

D516,002 S *	2/2006	Fahr-Becker	.....	D12/211
D521,438 S *	5/2006	Nordmann	.....	D12/211
D522,949 S *	6/2006	Elmitt	.....	D12/211
D528,060 S *	9/2006	Laengerer	.....	D12/209
D540,240 S *	4/2007	Kountouras	.....	D12/211
D542,728 S *	5/2007	Ichinose	.....	D12/211
D576,096 S *	9/2008	Chung	.....	D12/211
D583,742 S *	12/2008	Juergens et al.	.....	D12/211

\* cited by examiner

*Primary Examiner*—Cathron C Brooks

*Assistant Examiner*—Austin Murphy

(74) *Attorney, Agent, or Firm*—Crowell & Moring LLP

(57) **CLAIM**

The ornamental design for a front face of a vehicle wheel, as shown and described.

**DESCRIPTION**

FIG. 1 is a front view of a first embodiment of a front face of a Vehicle wheel according to our design; and

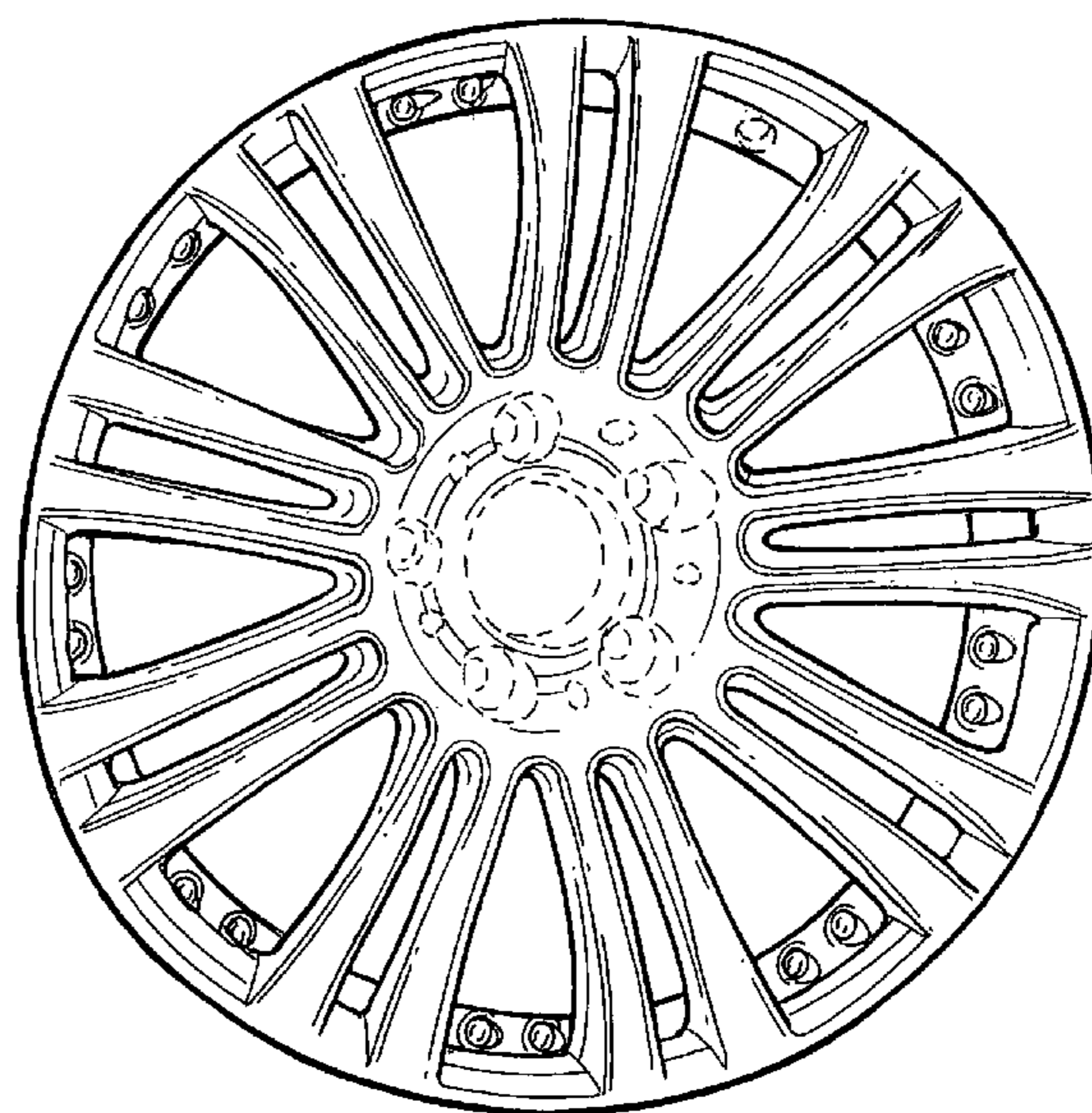
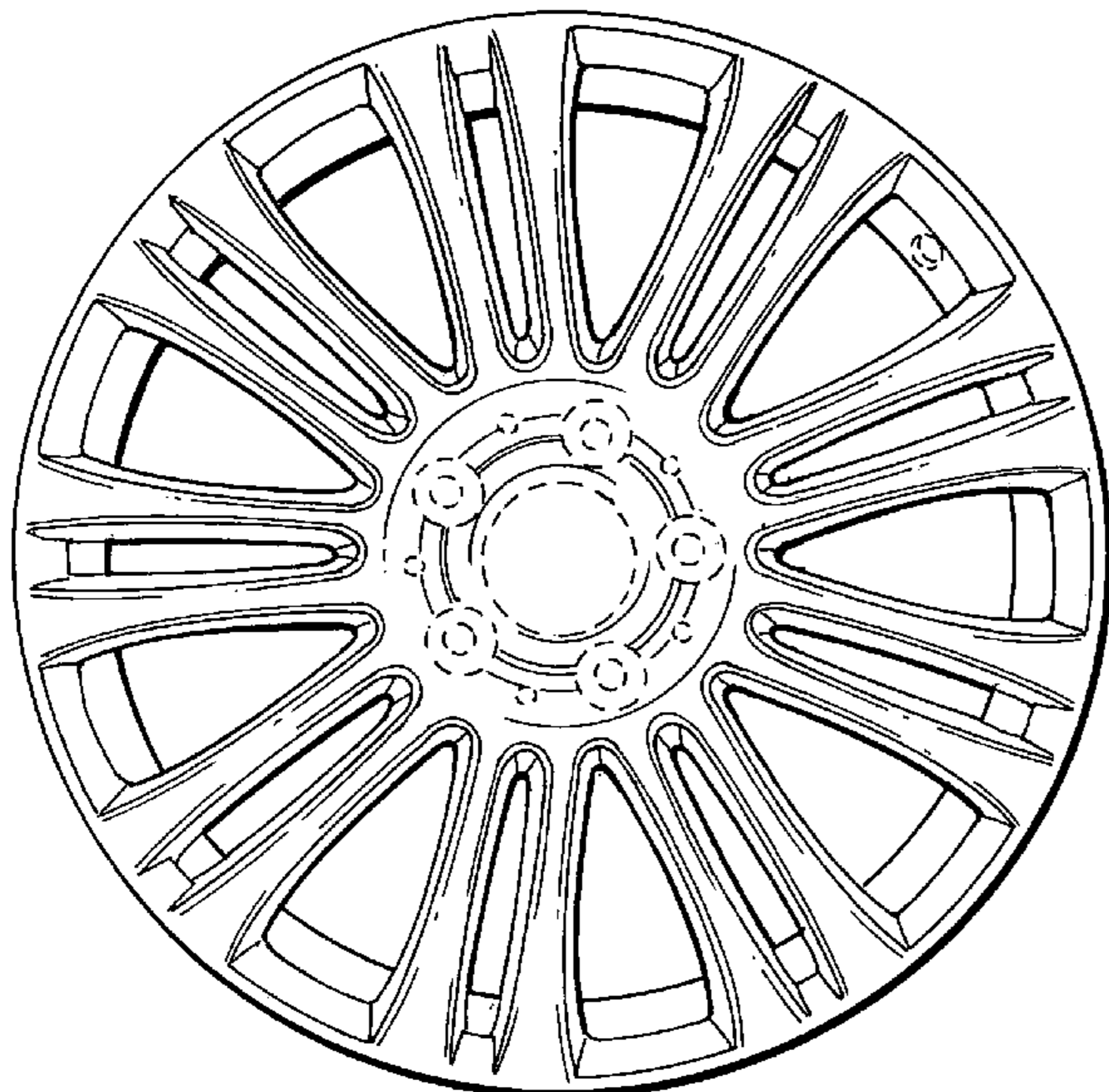
FIG. 2 is a perspective view thereof.

FIG. 3 is a front view of a second embodiment of the front face of a vehicle wheel according to our novel design; and,

FIG. 4 is a perspective view thereof.

The broken lines are for illustrative purposes only and form no part of the claimed design.

**1 Claim, 2 Drawing Sheets**



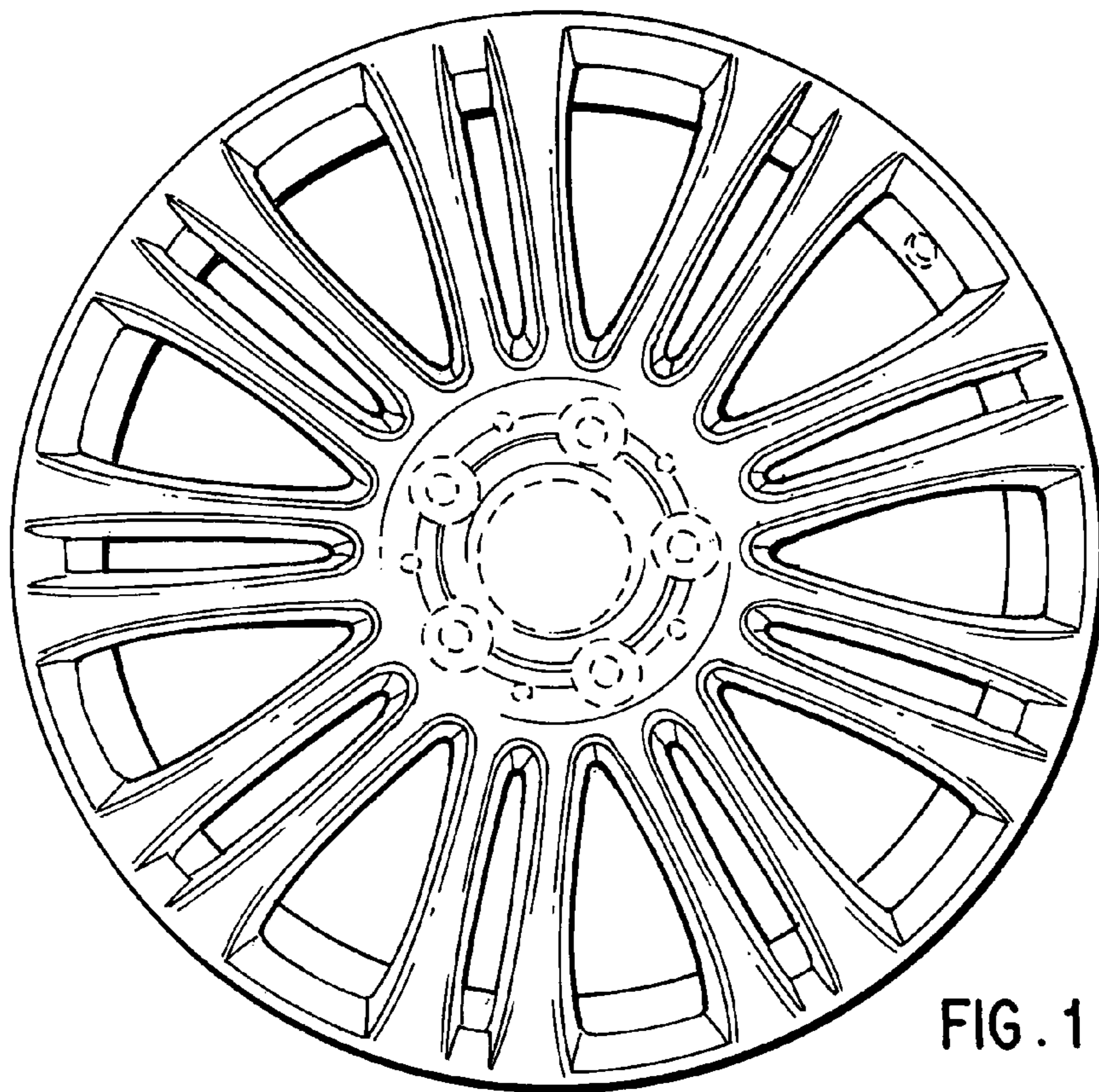


FIG. 1

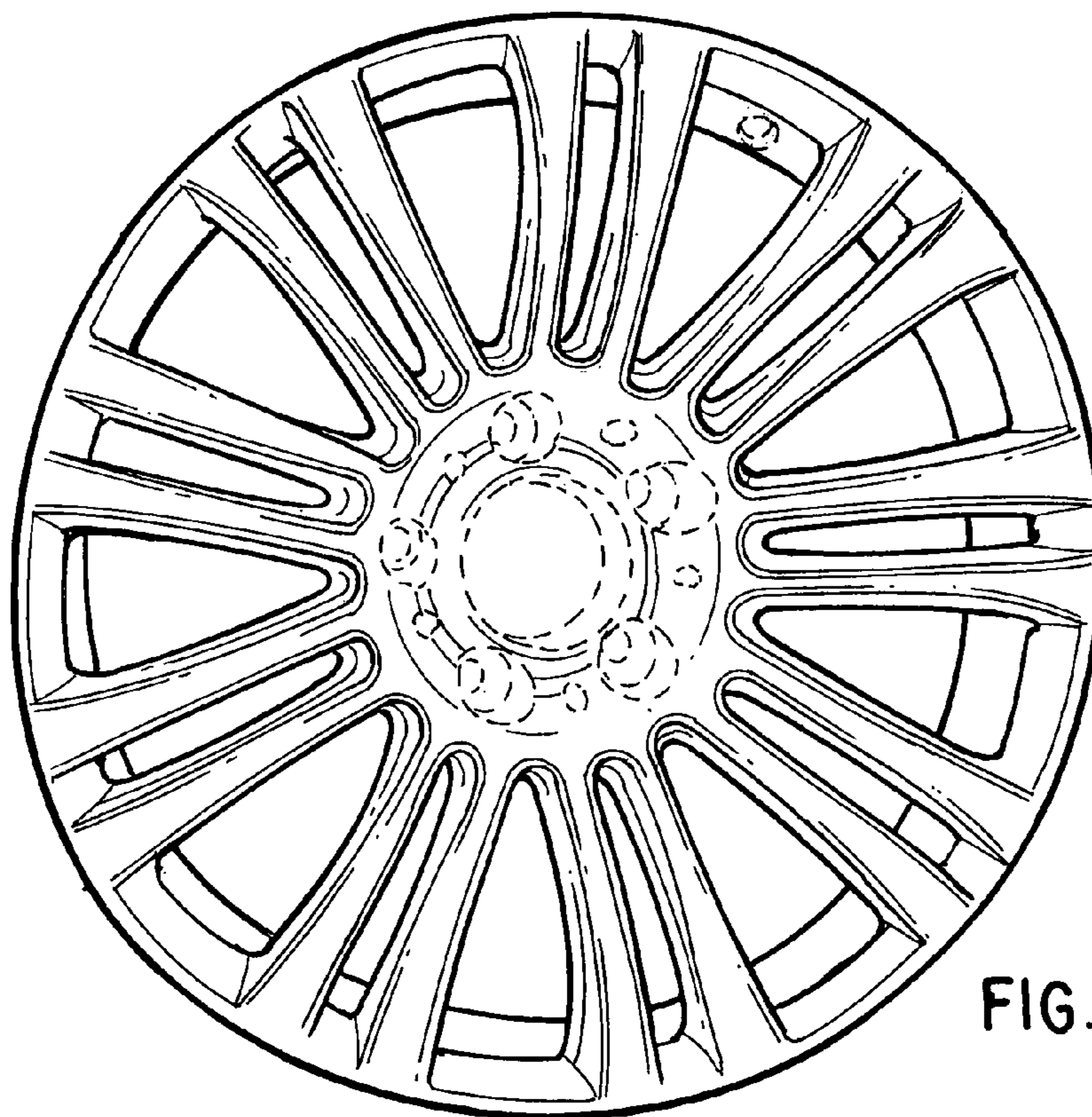


FIG. 2

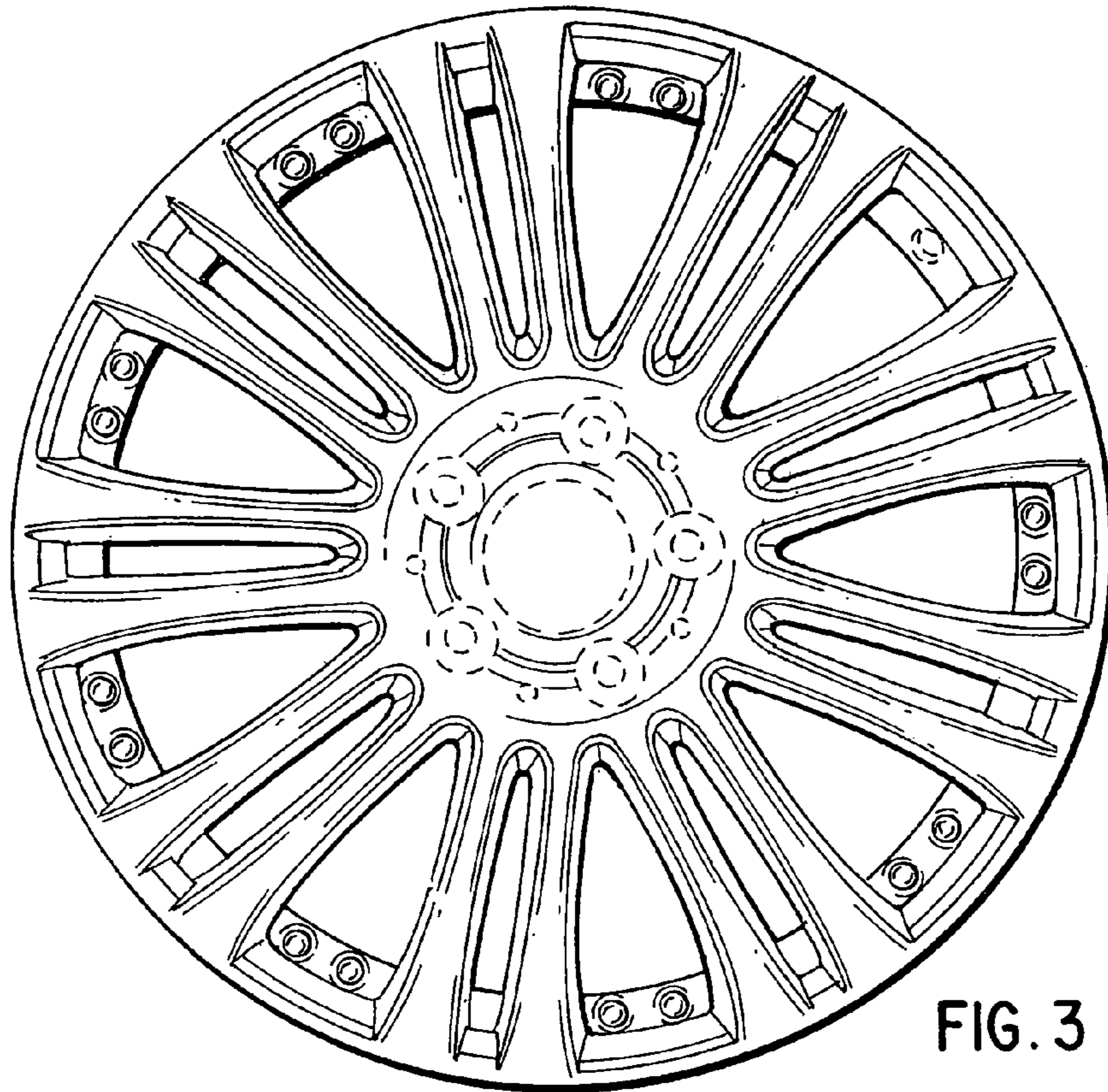


FIG. 3

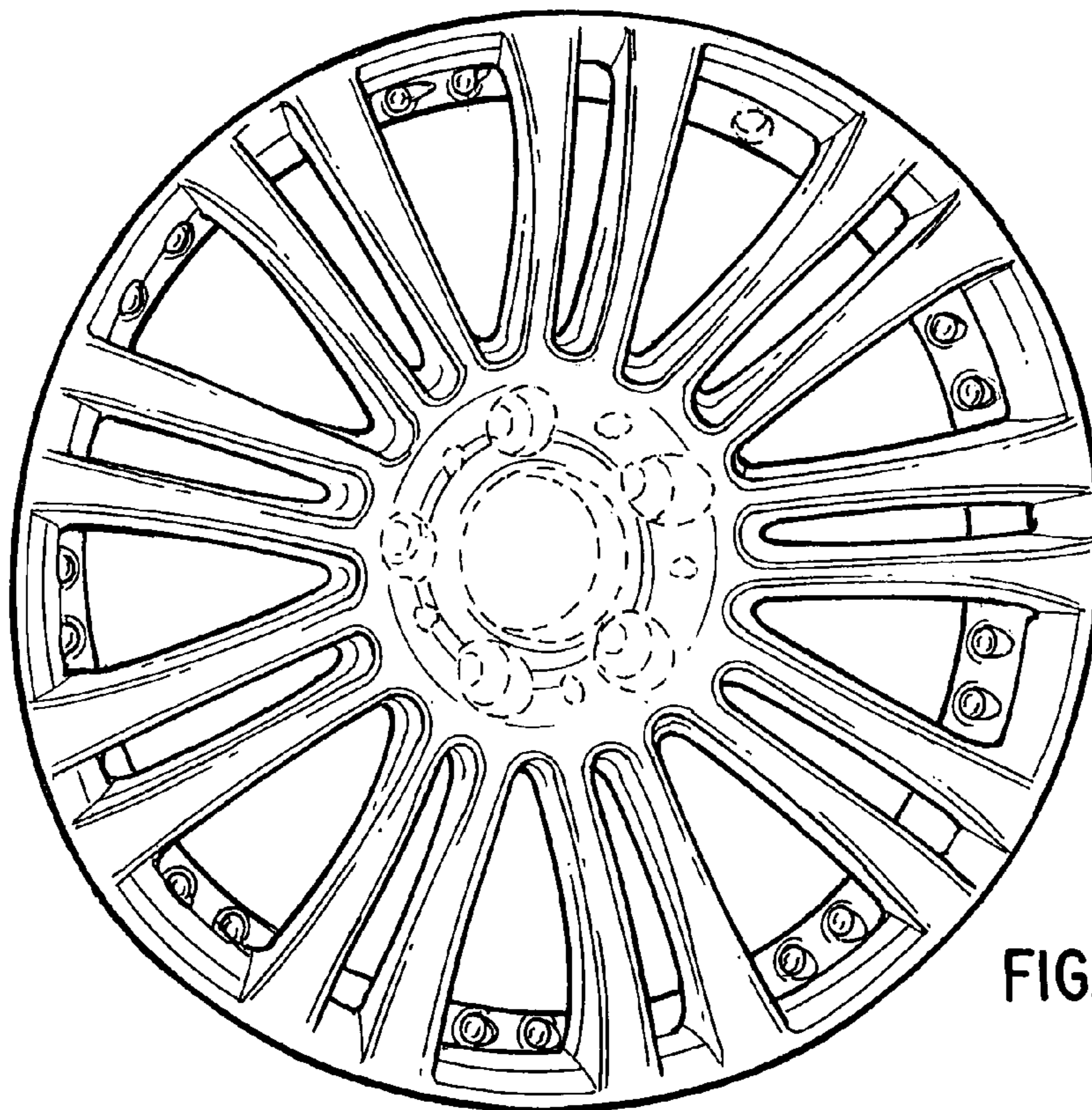


FIG. 4