



US00D593011S

(12) **United States Design Patent**
Schroeder et al.

(10) **Patent No.:** **US D593,011 S**

(45) **Date of Patent:** **** May 26, 2009**

(54) **VEHICLE FENDER**

(75) Inventors: **Anthony M. Schroeder**, Huntington Beach, CA (US); **Nicholas Renner**, Irvine, CA (US); **Asao Itaya**, Gardena, CA (US); **Hideaki Yamazumi**, Asaka (JP); **Jessica Vera**, Torrance, CA (US); **Hiroyuki Miyazaki**, Redondo Beach, CA (US)

(73) Assignee: **Honda Motor Co., Ltd.**, Tokyo (JP)

(**) Term: **14 Years**

(21) Appl. No.: **29/281,535**

(22) Filed: **Jun. 26, 2007**

(51) **LOC (9) Cl.** **12-11**

(52) **U.S. Cl.** **D12/186; D12/107**

(58) **Field of Classification Search** D12/3, D12/86, 87, 107, 110, 126, 181, 182, 184, D12/186; 180/225, 229, 233, 311, 312, 315, 180/227; 296/78.1, 198; 280/152.1-152.3, 280/847-851; 293/102, 105

See application file for complete search history.

(56) **References Cited**

U.S. PATENT DOCUMENTS

D512,001 S * 11/2005 Kato et al. D12/107
D515,978 S * 2/2006 Luh D12/107

D517,450 S * 3/2006 Wu D12/107
D536,289 S * 2/2007 Basset et al. D12/184

* cited by examiner

Primary Examiner—Cathron C Brooks

Assistant Examiner—Linda Brooks

(74) *Attorney, Agent, or Firm*—Plumsea Law Group, LLC; Mark E. Duell

(57) **CLAIM**

The ornamental design for a vehicle fender, as shown and described.

DESCRIPTION

FIG. 1 is a perspective view of a vehicle fender showing our new design;

FIG. 2 is a front elevational view thereof;

FIG. 3 is a top plan view thereof;

FIG. 4 is a side elevational view thereof;

FIG. 5 is a perspective view of a second embodiment of the vehicle fender showing a right-hand version thereof.

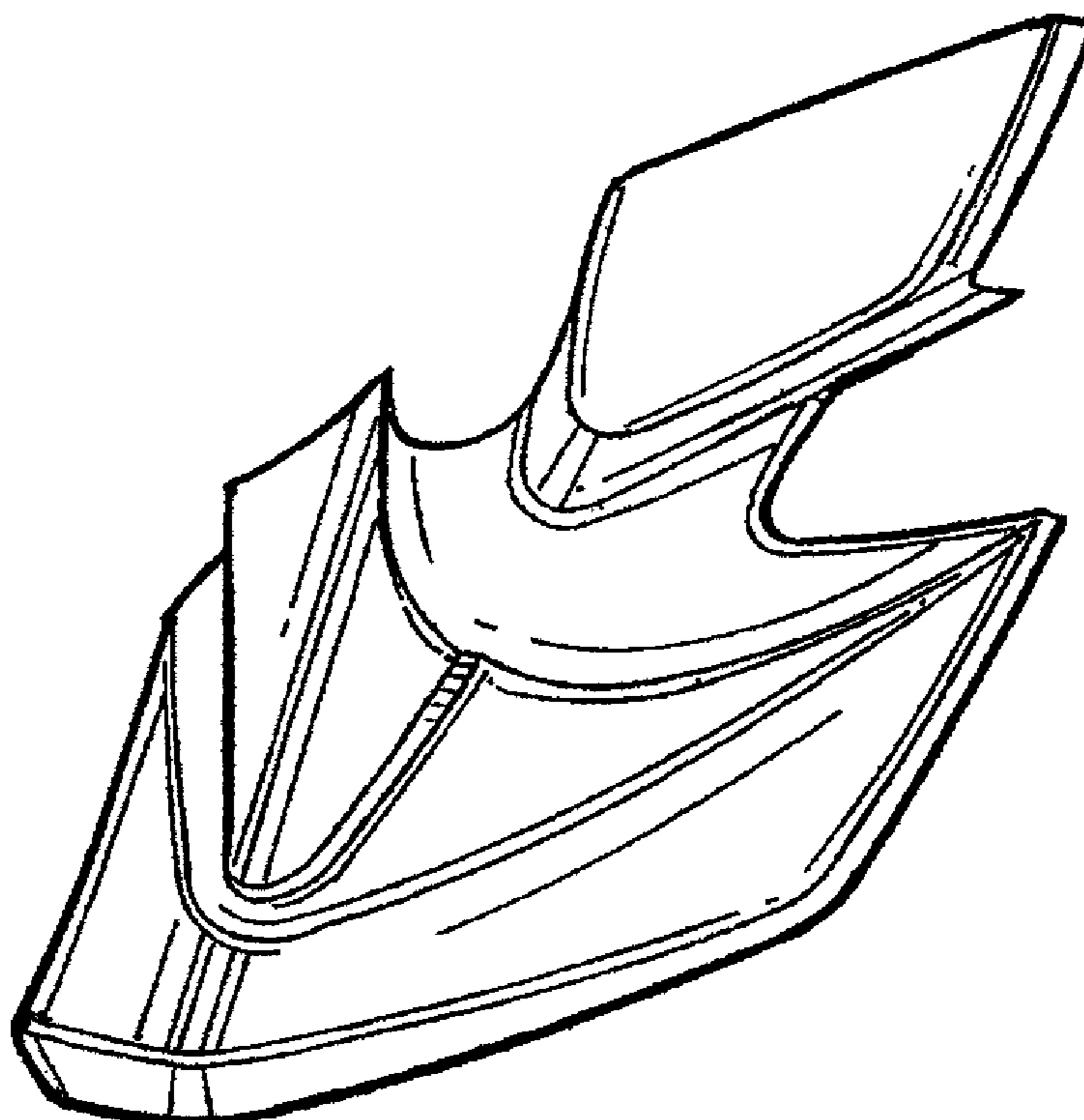
FIG. 6 is a front elevational view of FIG. 5;

FIG. 7 is a top plan view of FIG. 5; and,

FIG. 8 is a side elevational view of FIG. 5.

The broken line showings of the circles form no part of the claimed design.

1 Claim, 2 Drawing Sheets



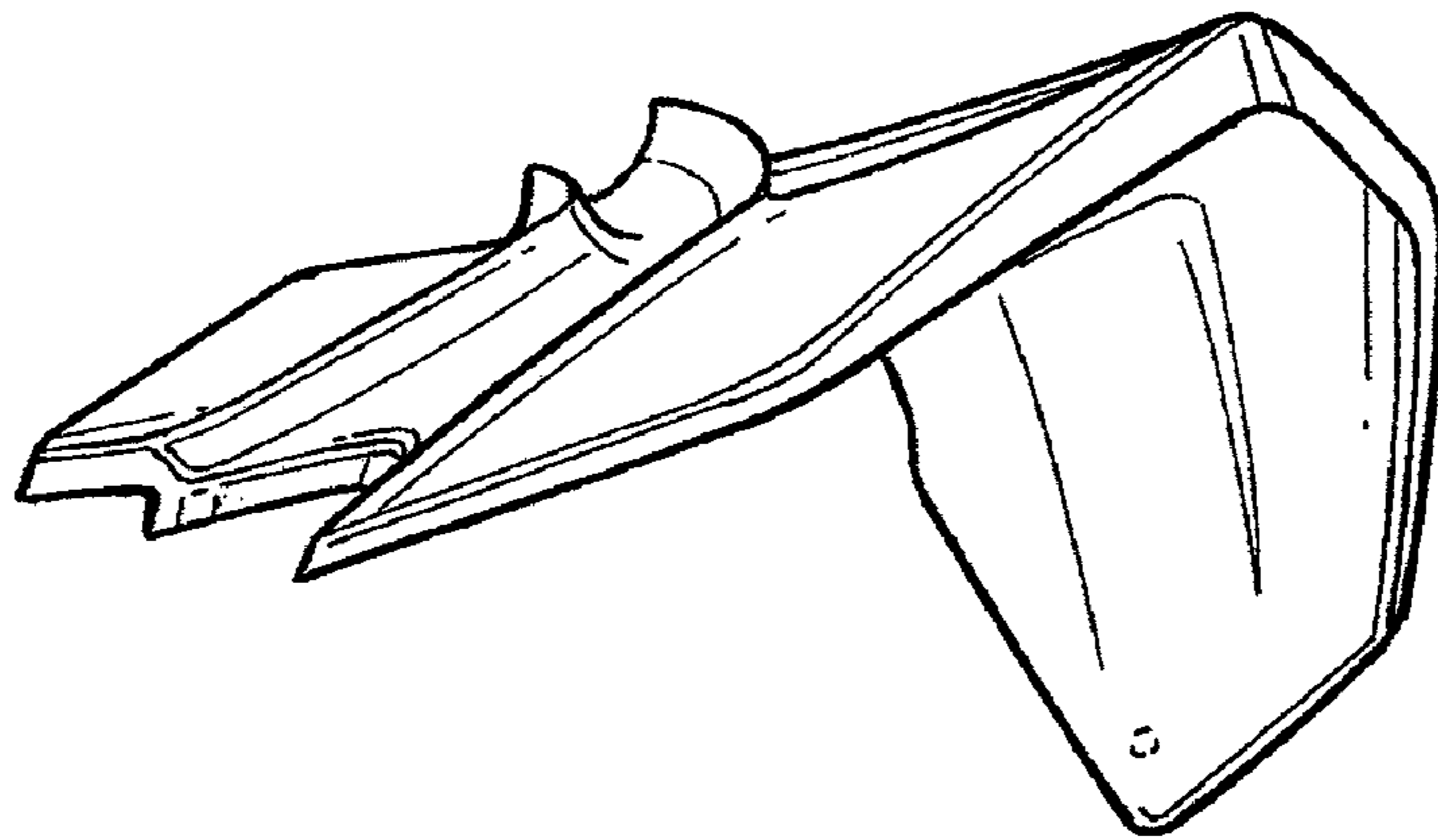


FIG. 1

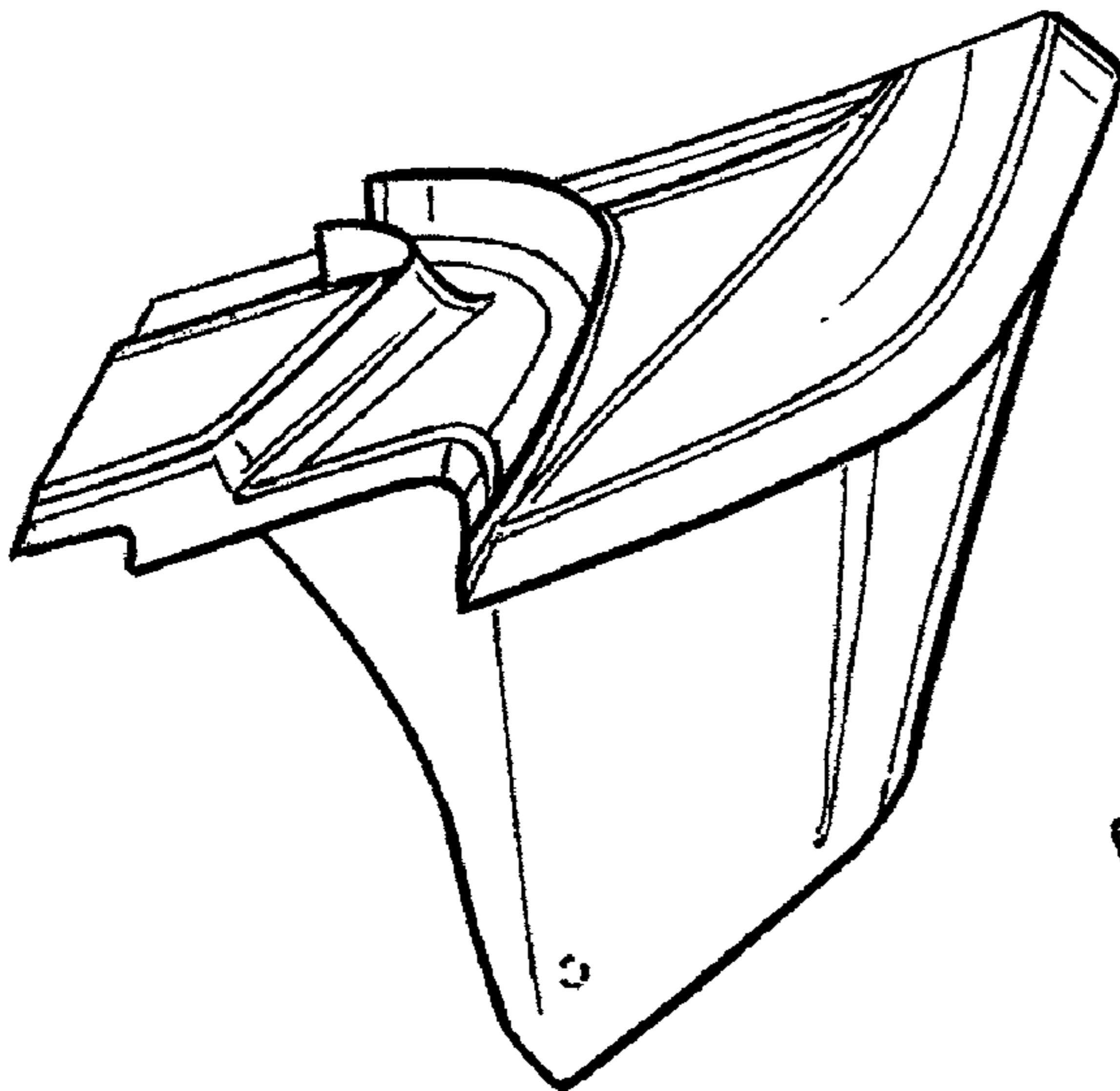


FIG. 2

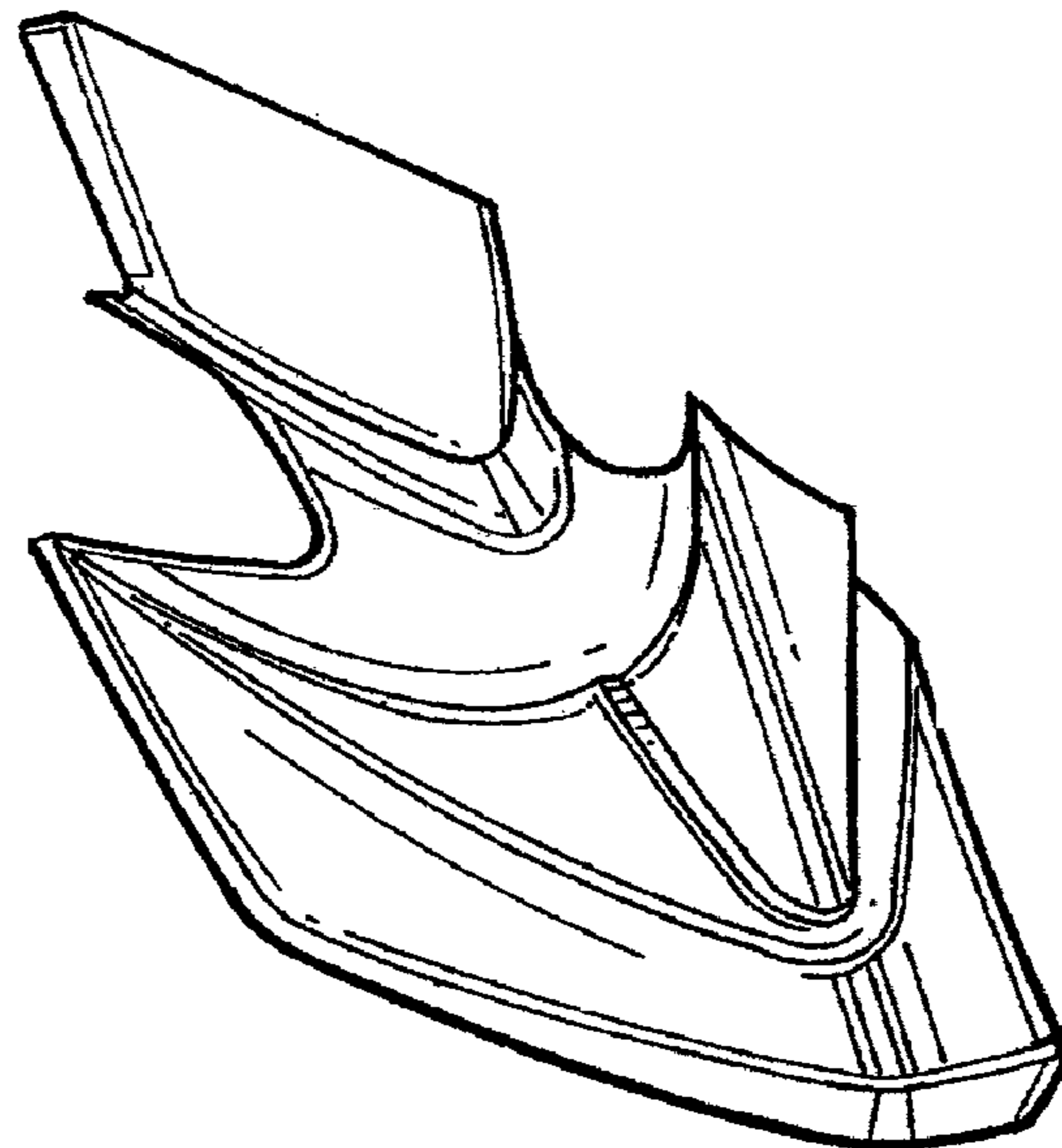


FIG. 3

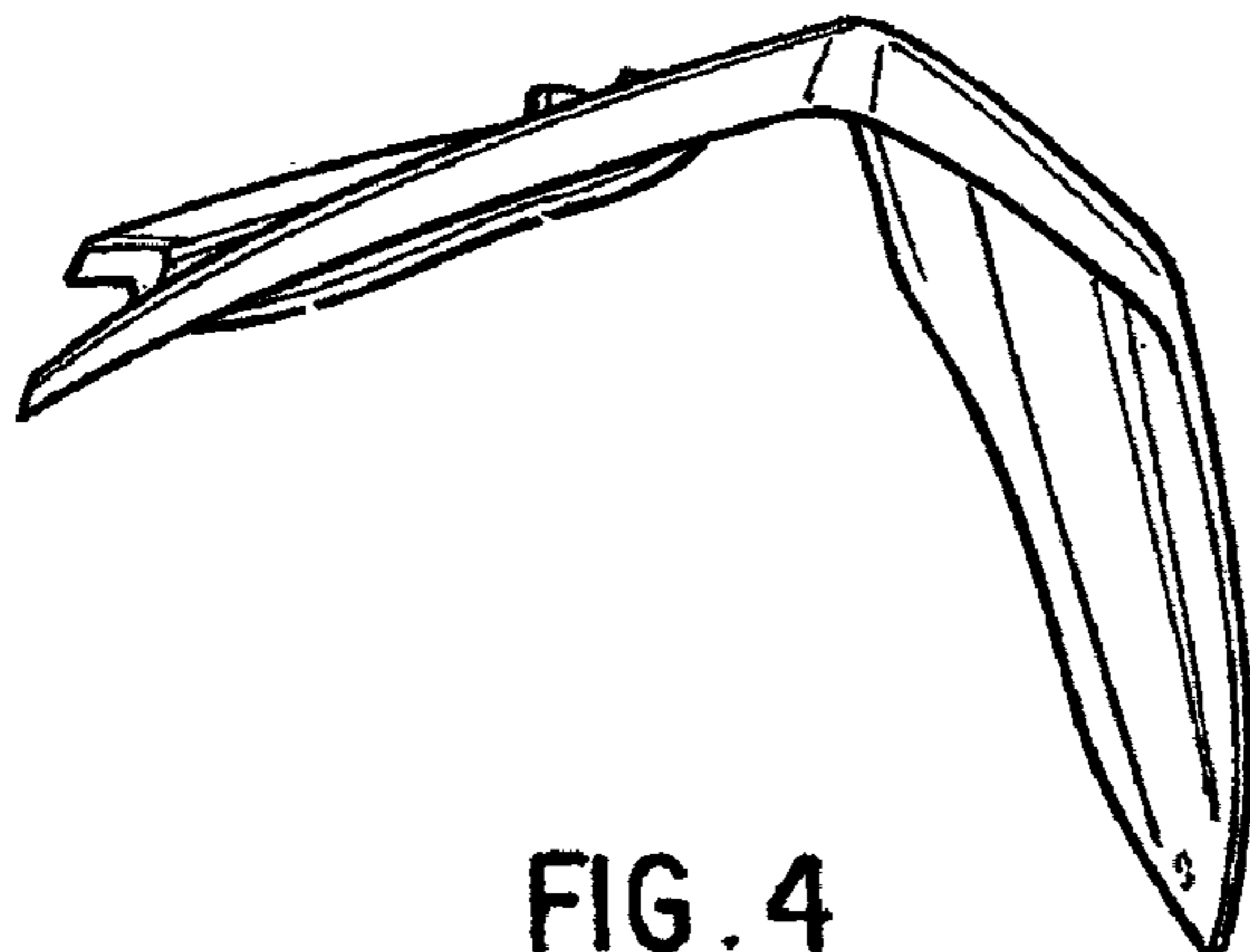


FIG. 4

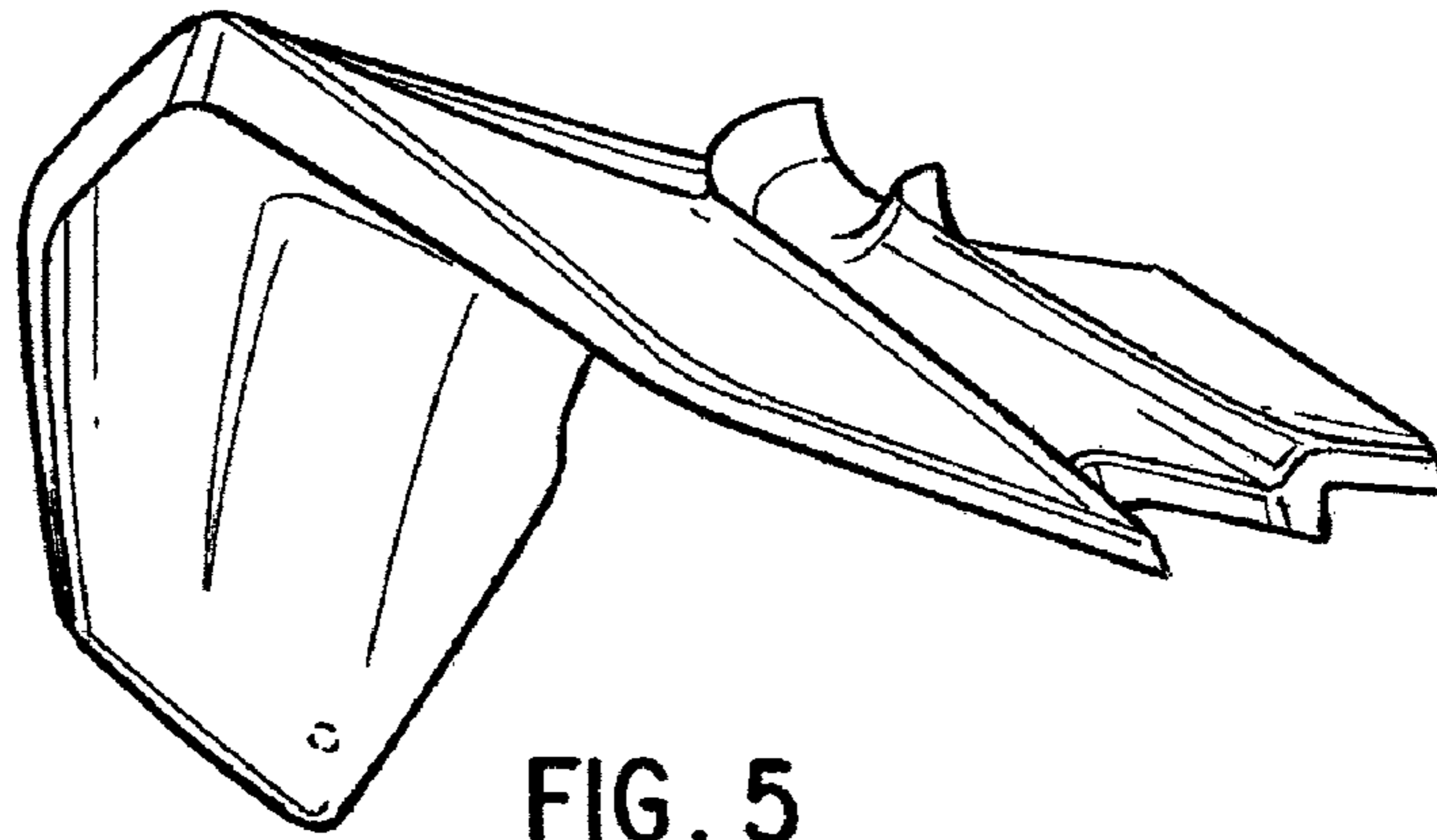


FIG. 5

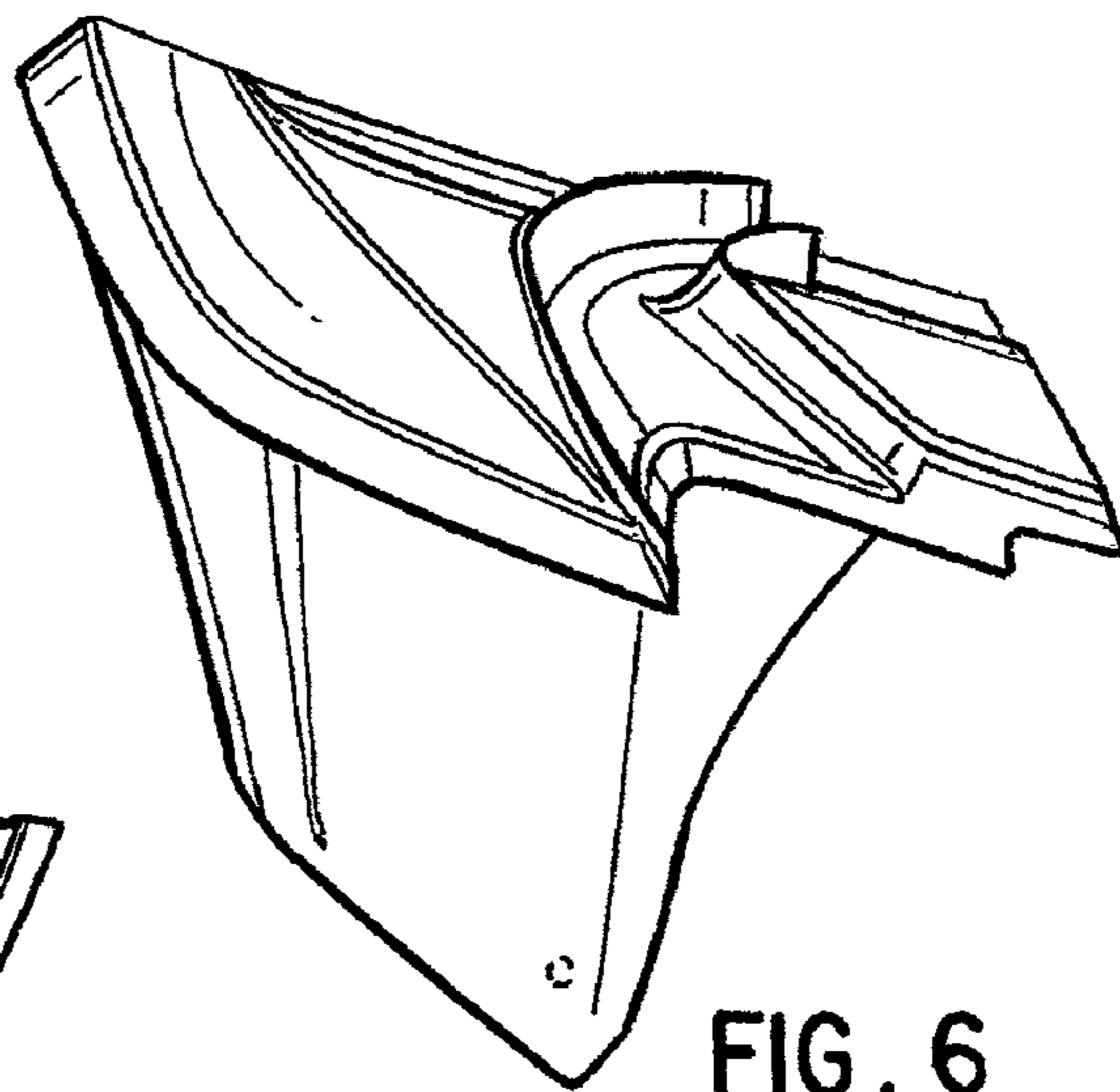


FIG. 6

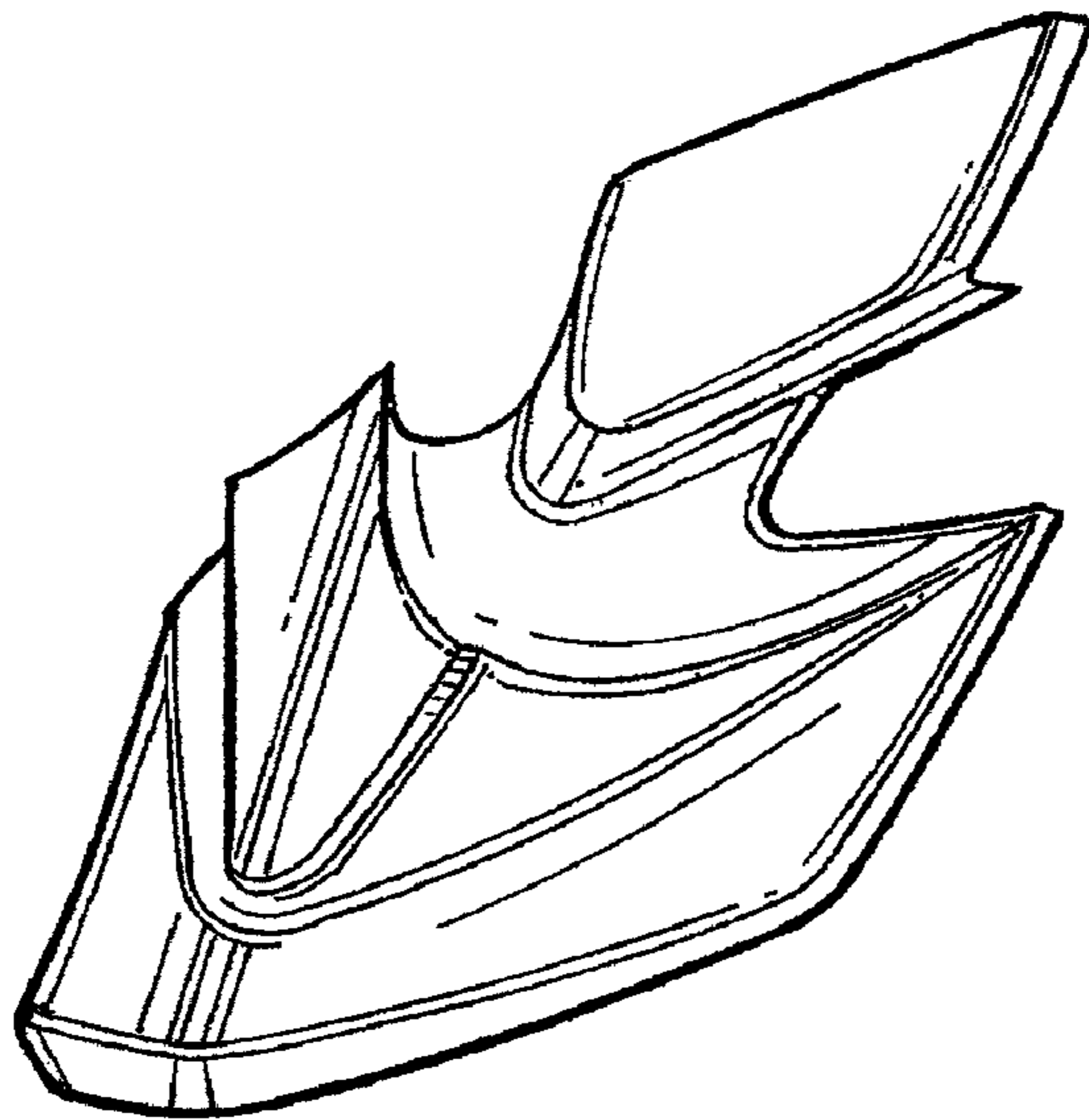


FIG. 7

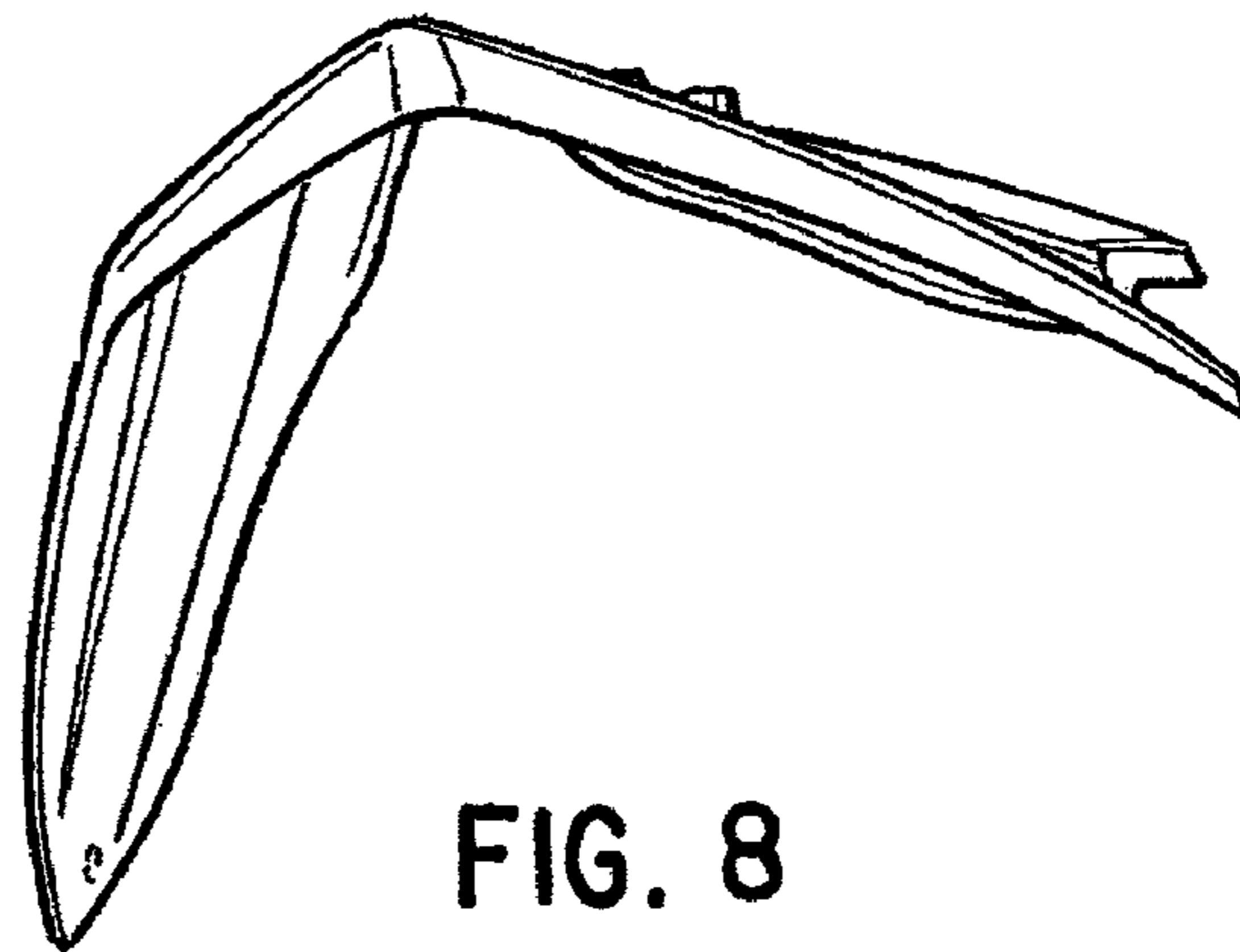


FIG. 8