



US00D593007S

(12) **United States Design Patent**  
**Chaudeurge**

(10) **Patent No.:** **US D593,007 S**  
(45) **Date of Patent:** **\*\* May 26, 2009**

(54) **PUSHCHAIR**

D558,099 S \* 12/2007 Yang ..... D12/129  
7,422,230 B2 \* 9/2008 Chuan ..... 280/642  
D578,936 S \* 10/2008 Chen ..... D12/129

(76) Inventor: **Jean-Michel François Chaudeurge**,  
Domaine de Muscapeau, Route de Bras,  
83170 Tourves (FR)

\* cited by examiner

(\*\*) Term: **14 Years**

*Primary Examiner*—Ian Simmons  
*Assistant Examiner*—Charles D Hanson

(21) Appl. No.: **29/321,411**

(74) *Attorney, Agent, or Firm*—Stites & Harbison PLLC;  
Douglas E. Jackson

(22) Filed: **Jul. 16, 2008**

(57) **CLAIM**

(30) **Foreign Application Priority Data**

Jan. 17, 2008 (EM) ..... 000860192-0001

The ornamental design for a pushchair, as shown and described.

(51) **LOC (9) Cl.** ..... **12-12**

**DESCRIPTION**

(52) **U.S. Cl.** ..... **D12/129**

(58) **Field of Classification Search** ..... D12/128–133;  
296/65.03, 65.04; 224/409; 297/DIG. 4;  
280/62, 647–650, 29, 200, 47.38, 250.1,  
280/259, 642, 658

FIG. 1 is a front-right perspective view of a pushchair showing my new design;

FIG. 2 is a front-left perspective view thereof;

FIG. 3 is a rear-top perspective view thereof;

FIG. 4 is a rear-left perspective view thereof;

FIG. 5 is a right side view thereof;

FIG. 6 is a front view thereof, in a collapsed position; and,

FIG. 7 is a rear view thereof.

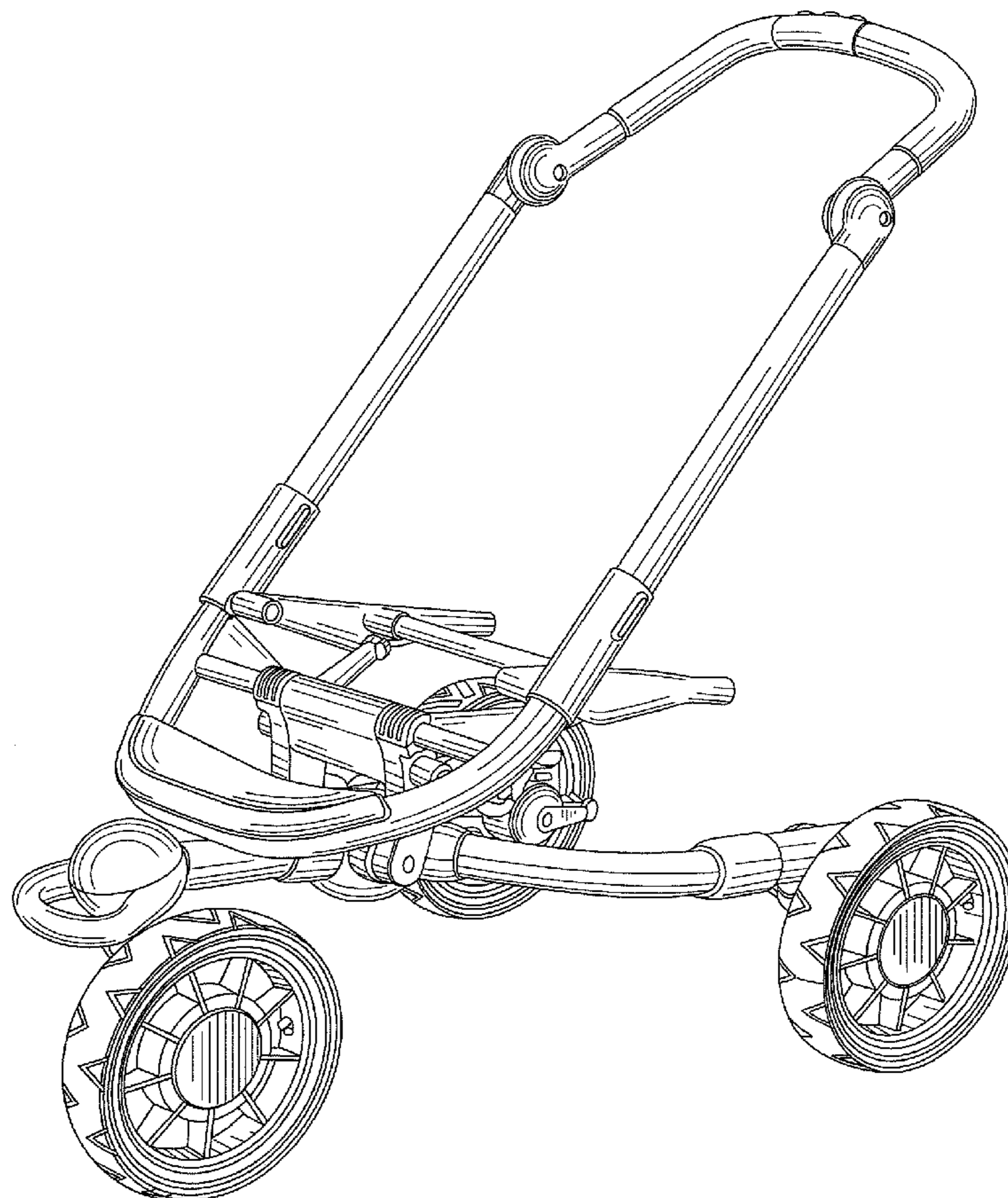
See application file for complete search history.

(56) **References Cited**

**U.S. PATENT DOCUMENTS**

D453,717 S \* 2/2002 Hawker et al. .... D12/129  
D456,319 S \* 4/2002 Yeh ..... D12/129  
6,742,791 B2 \* 6/2004 Lan ..... 280/62

**1 Claim, 7 Drawing Sheets**



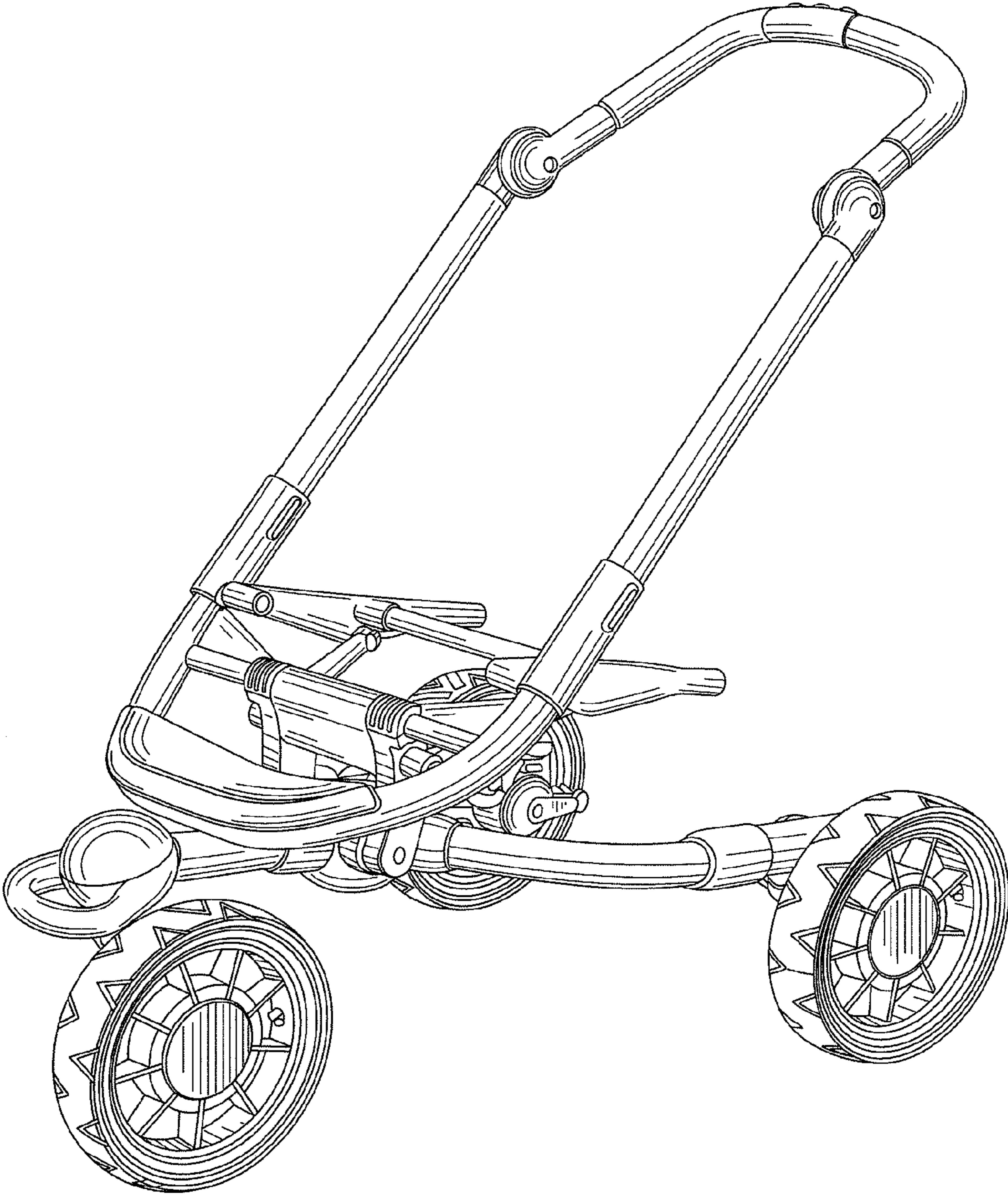


FIG. 1

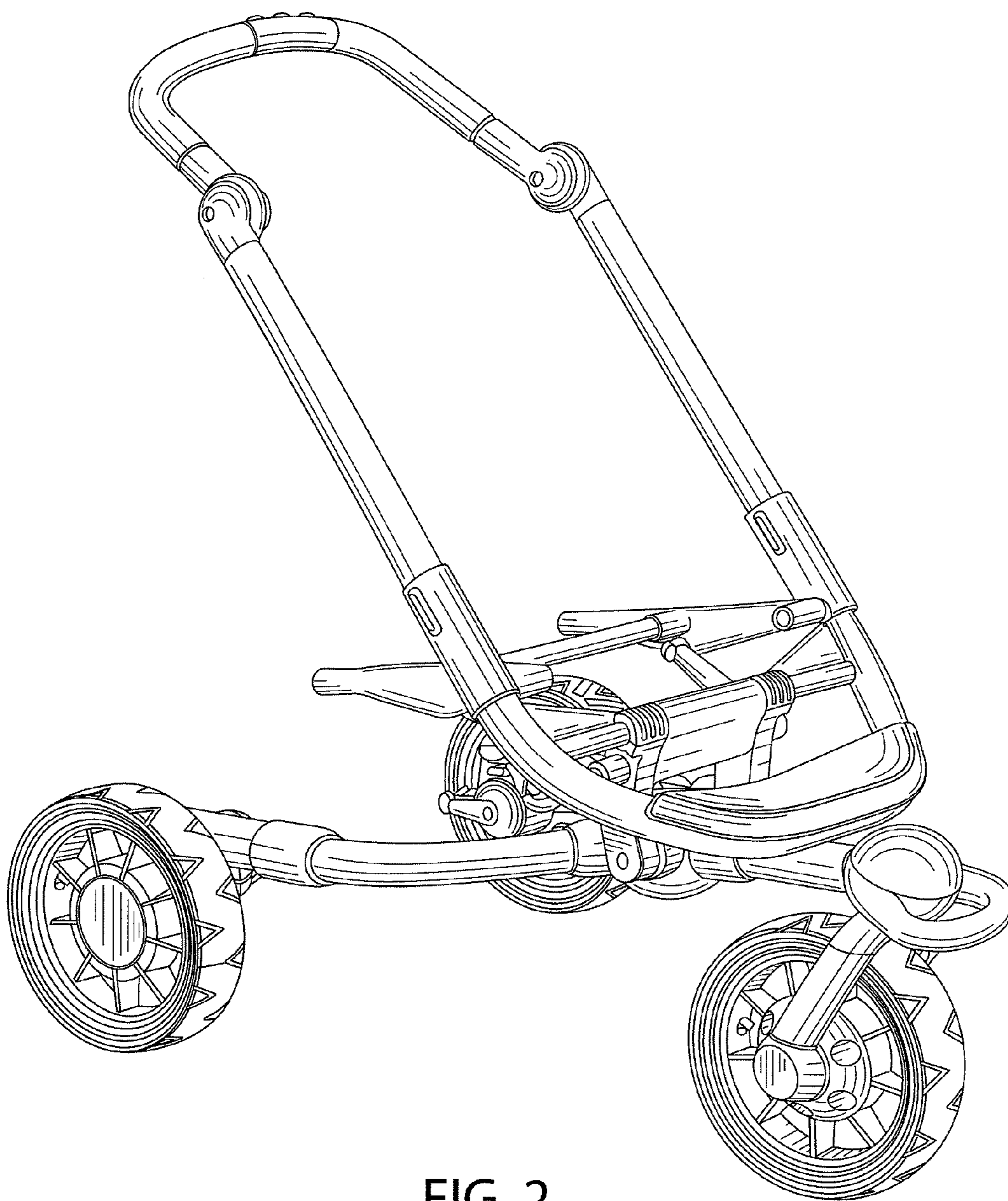


FIG. 2

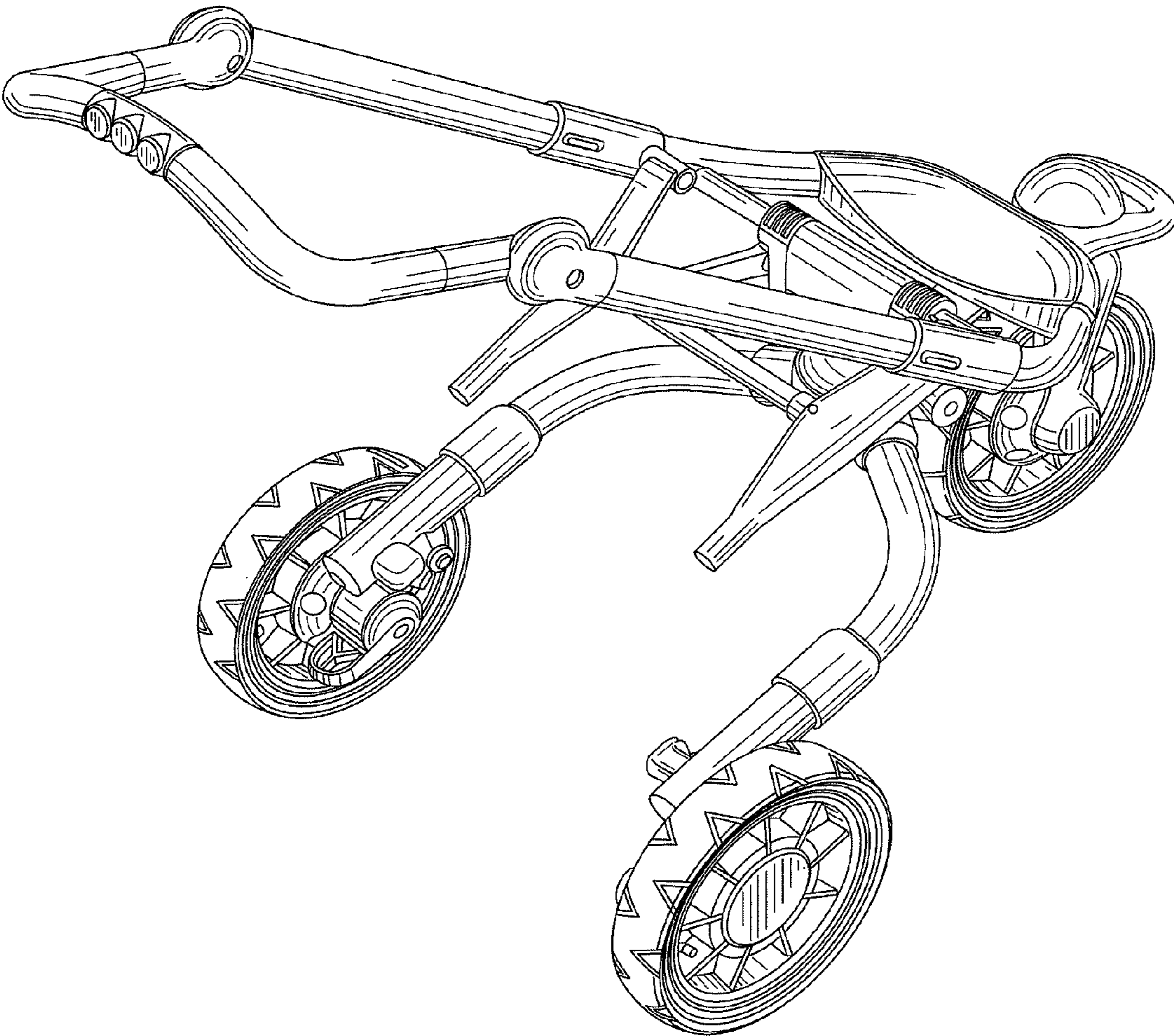


FIG. 3

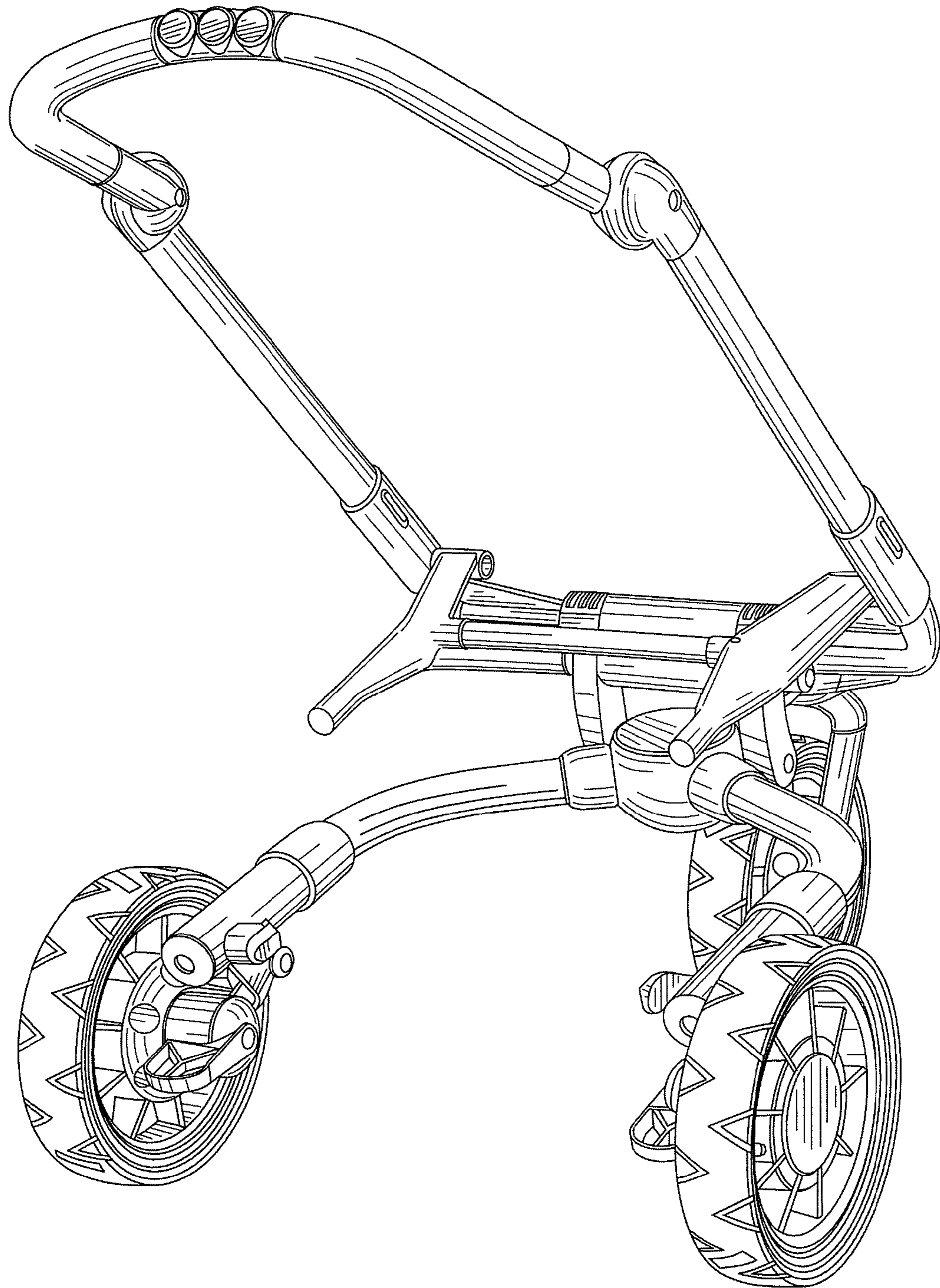


FIG. 4

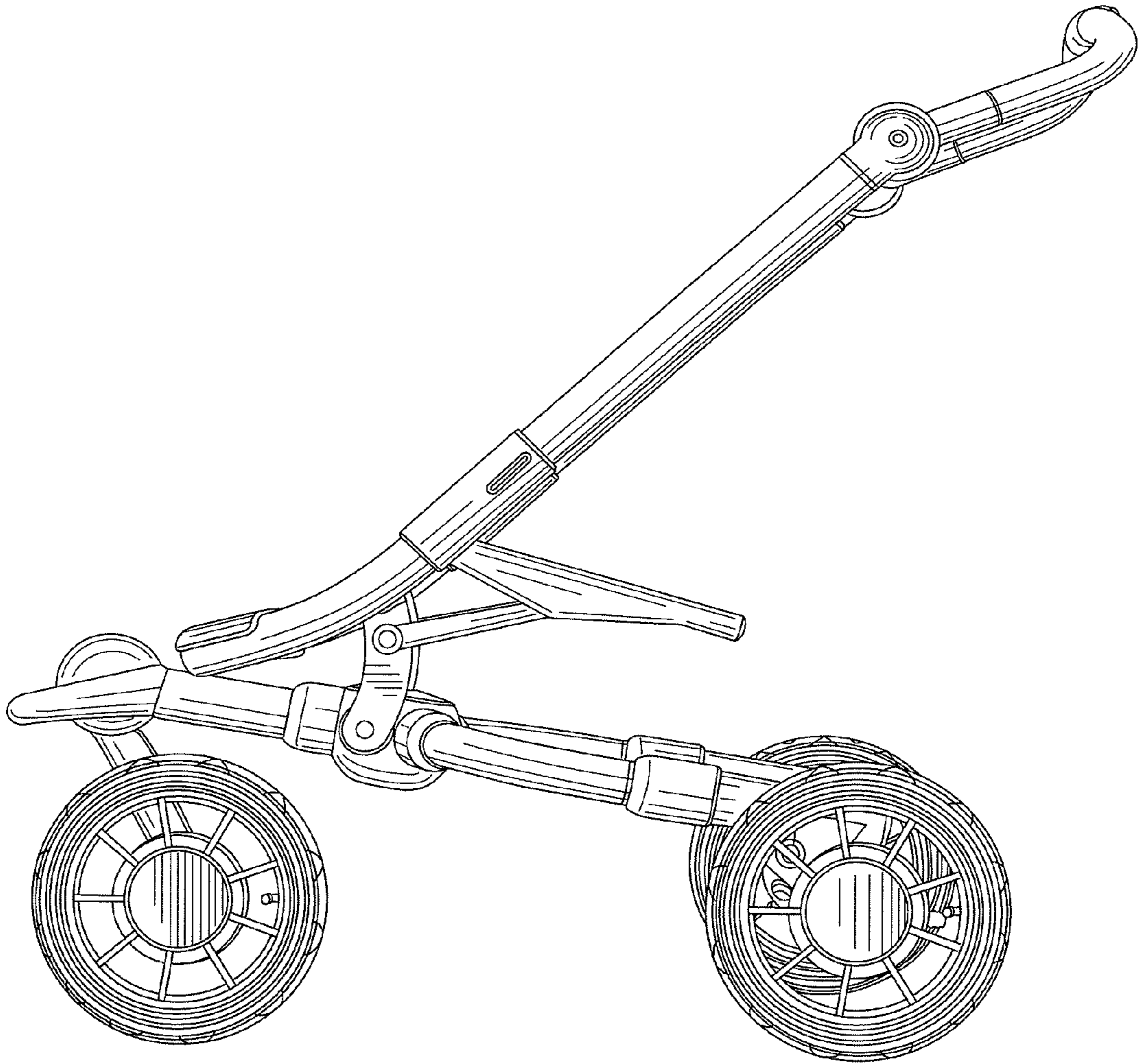


FIG. 5

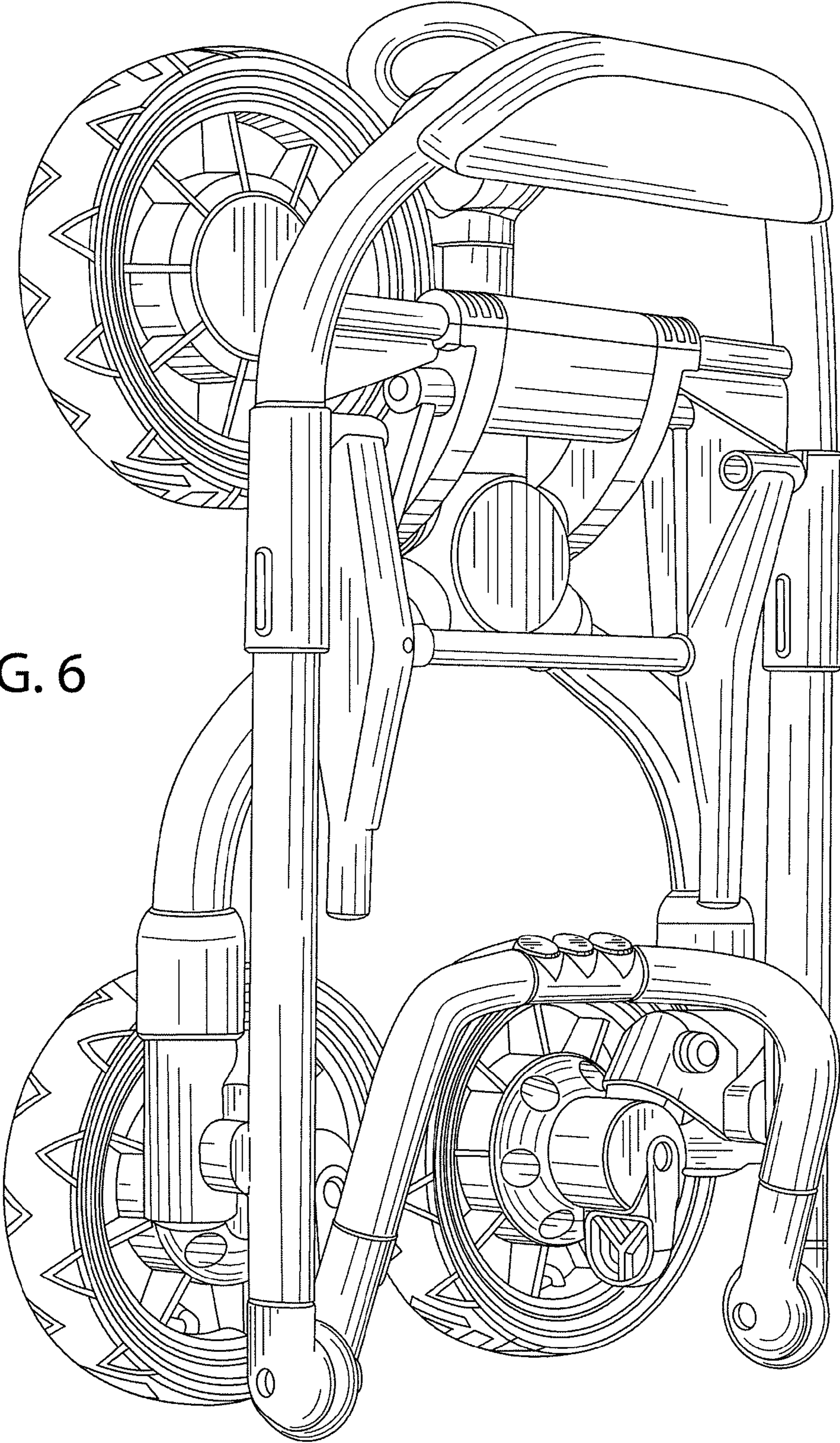


FIG. 6

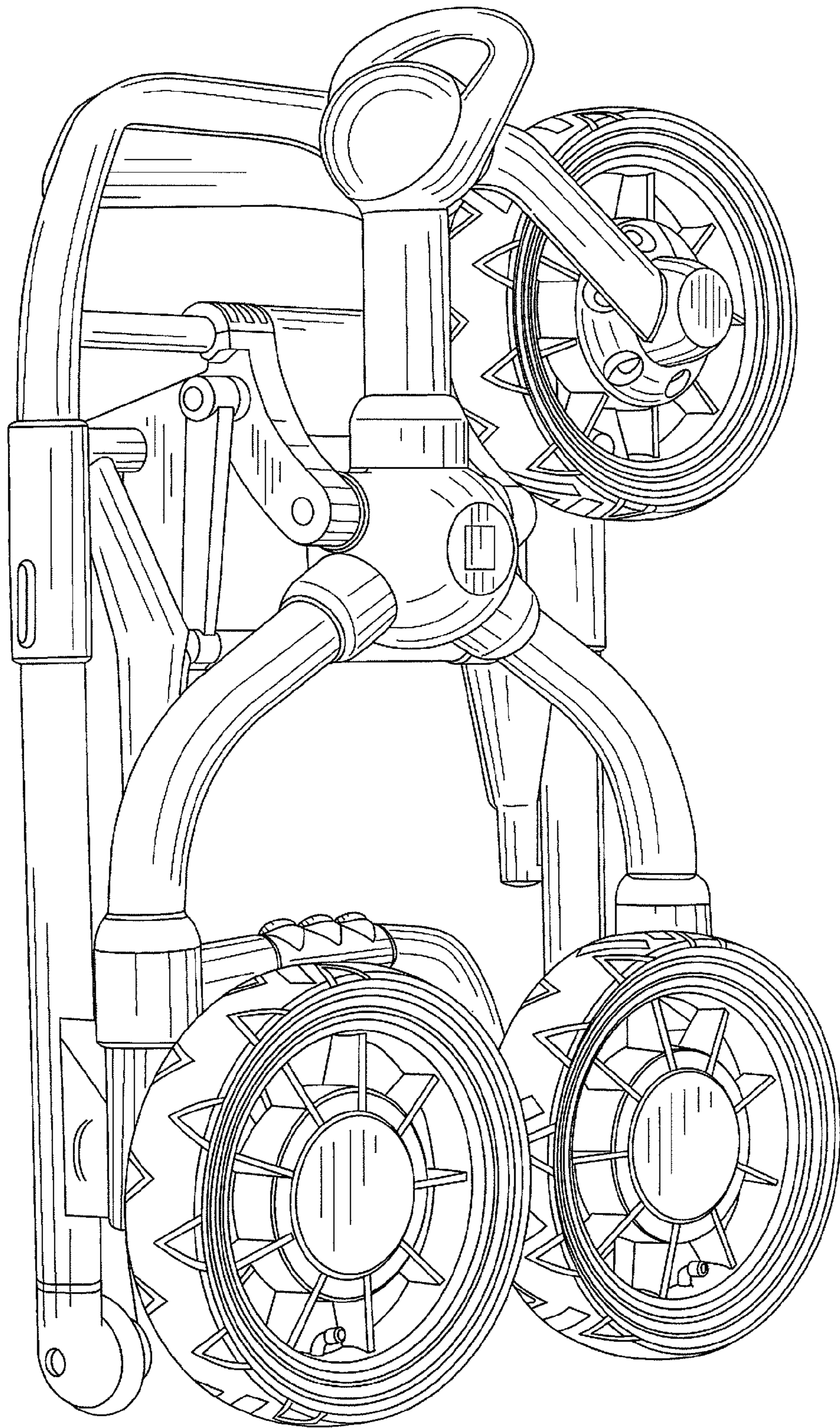


FIG. 7