



US00D593000S

(12) **United States Design Patent**
Habib

(10) **Patent No.:** **US D593,000 S**

(45) **Date of Patent:** **** May 26, 2009**

(54) **VEHICLE, TOY, AND/OR OTHER REPLICAS**

(57) **CLAIM**

(75) Inventor: **Karim Habib**, Munich (DE)

The ornamental design for a vehicle, toy, and/or other replicas, as shown and described.

(73) Assignee: **Bayerische Motoren Werke Aktiengesellschaft**, Munich (DE)

DESCRIPTION

(**) Term: **14 Years**

This application is related to the following co-pending applications:

(21) Appl. No.: **29/309,034**

Application Ser. No. 29/309,032, entitled "Trunk Lid for a Vehicle";

(22) Filed: **Jun. 12, 2008**

Application Ser. No. 29/309,038, entitled "Rear Fender for a Vehicle";

(30) **Foreign Application Priority Data**

Application Ser. No. 29/309,029, entitled "Front Fender for a Vehicle";

Dec. 13, 2007 (DE) 40706251

Application Ser. No. 29/309,030, entitled "Door for a Vehicle";

(51) **LOC (9) Cl.** **12-08**

(52) **U.S. Cl.** **D12/92**

(58) **Field of Classification Search** D12/86,
D12/90-92; 296/181.1, 181.5

Application Ser. No. 29/309,033, entitled "Front Bumper for a Vehicle"; and

See application file for complete search history.

Application Ser. No. 29/309,031, entitled "Door for a Vehicle".

(56) **References Cited**

FIG. 1 is a left, front perspective view of a vehicle, toy, and/or other replicas according to my novel design, the right, front perspective view being mirror symmetrical;

U.S. PATENT DOCUMENTS

FIG. 2 is a left, rear perspective view thereof, the right, rear perspective view being mirror symmetrical;

D458,561 S 6/2002 van Hooydonk

D571,258 S * 6/2008 Baum D12/92

D581,318 S * 11/2008 Gabath et al. D12/92

D582,314 S * 12/2008 Leclercq D12/92

D583,711 S * 12/2008 Elmitt D12/92

FIG. 3 is a left side view thereof;

FIG. 4 is a right side view thereof;

FIG. 5 is a front view thereof;

FIG. 6 is a rear view thereof; and,

FIG. 7 is a top view thereof.

FOREIGN PATENT DOCUMENTS

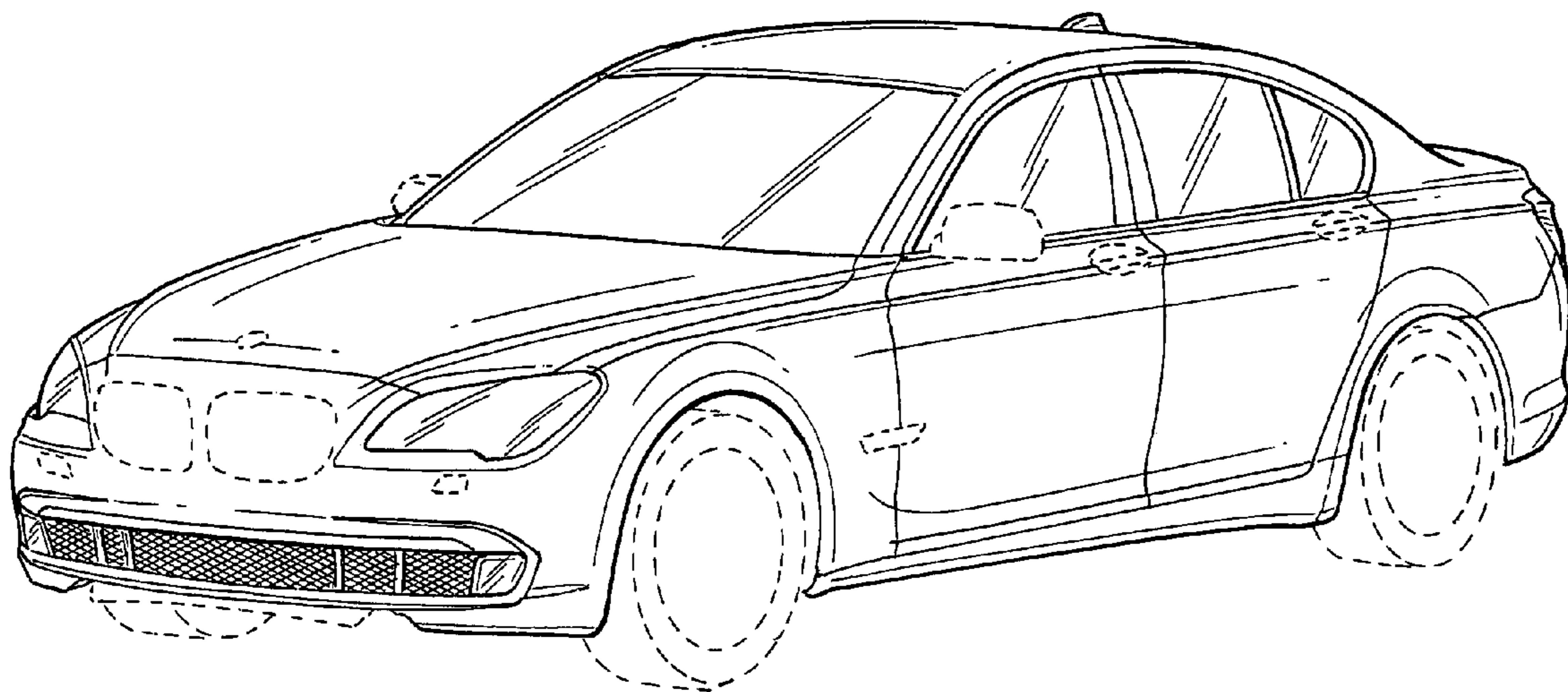
JP D1180123 S 7/2003

The broken lines are for illustrative purposes only and form no part of the claimed design.

* cited by examiner

Primary Examiner—Melody N Brown
(74) *Attorney, Agent, or Firm*—Crowell & Moring LLP

1 Claim, 6 Drawing Sheets



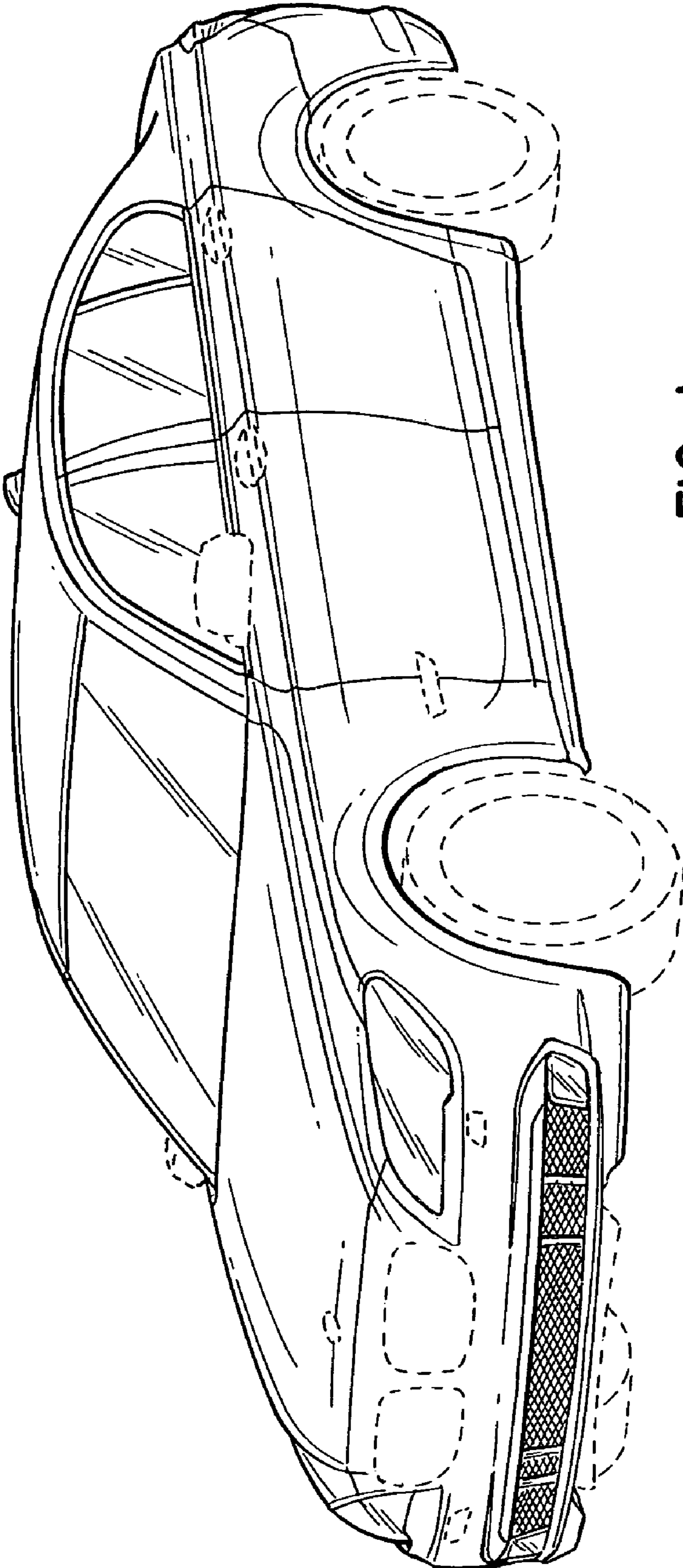


FIG. 1

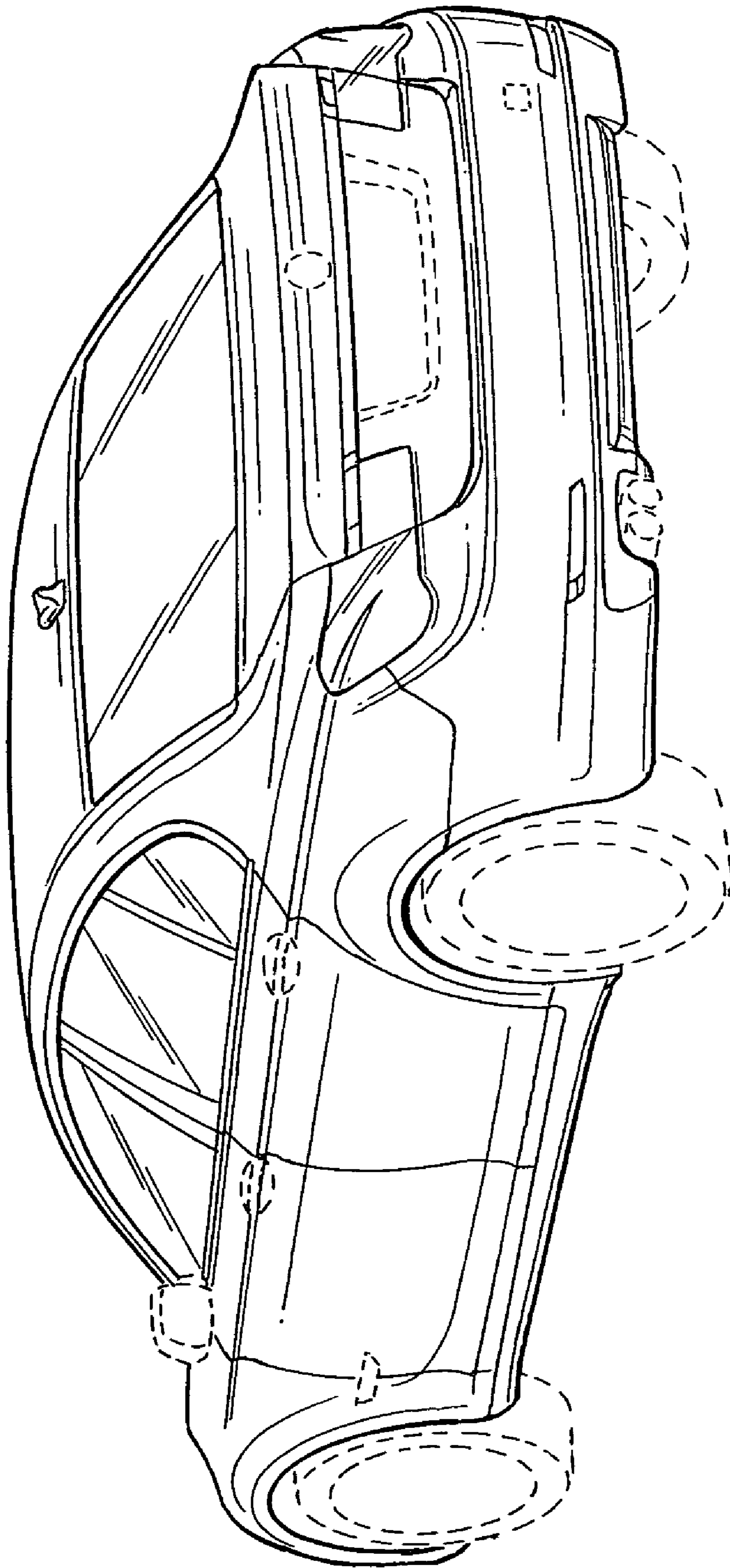


FIG. 2

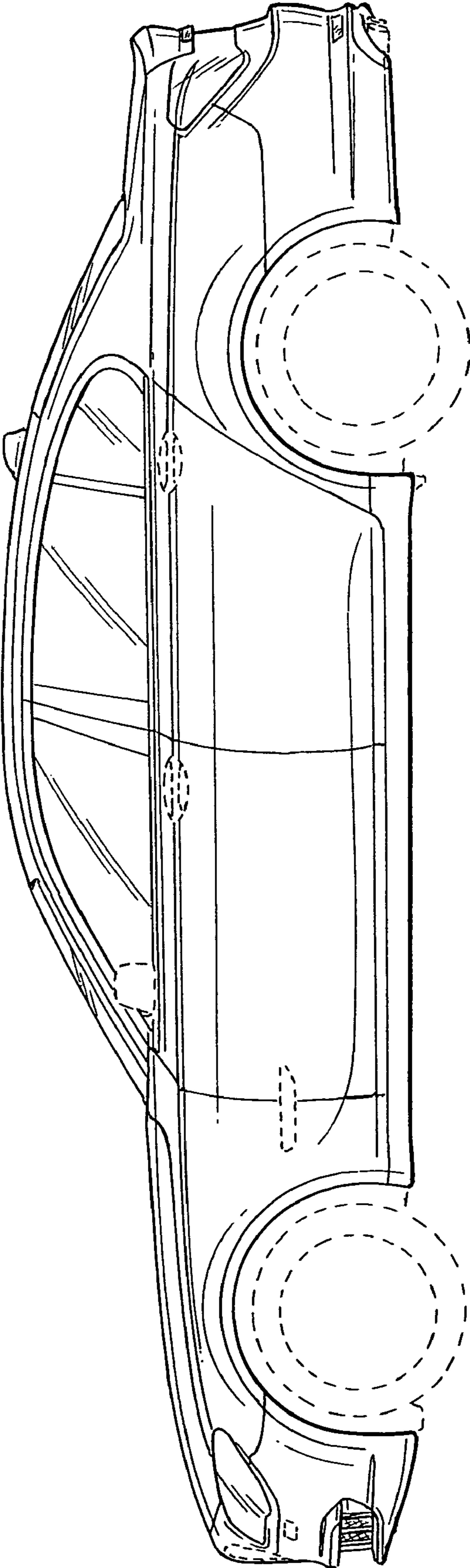


FIG. 3

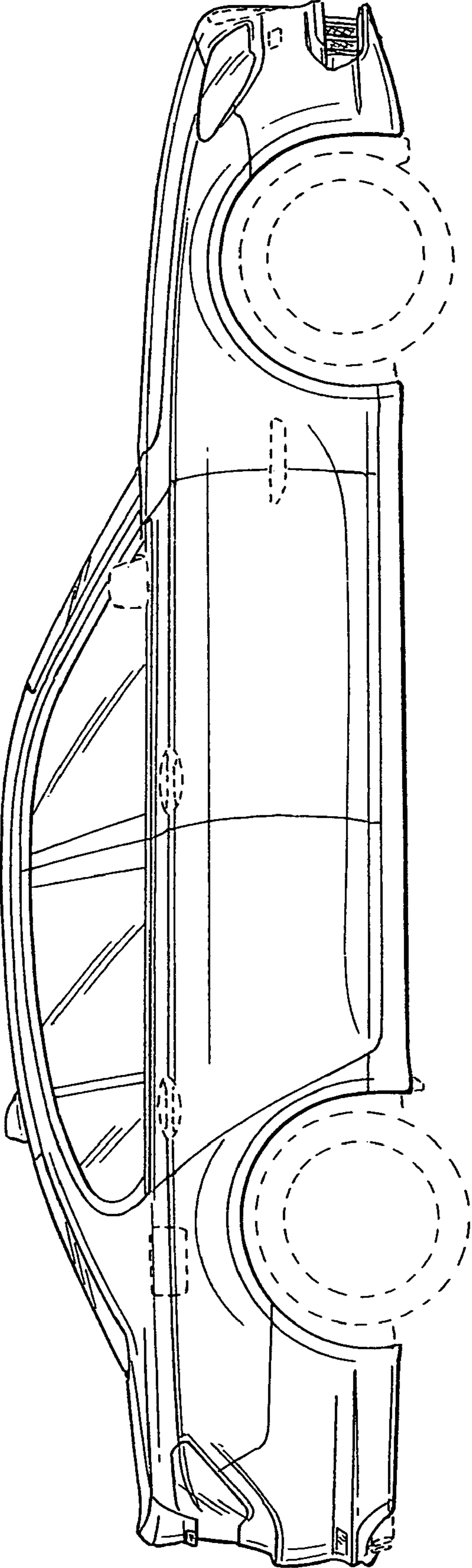


FIG. 4

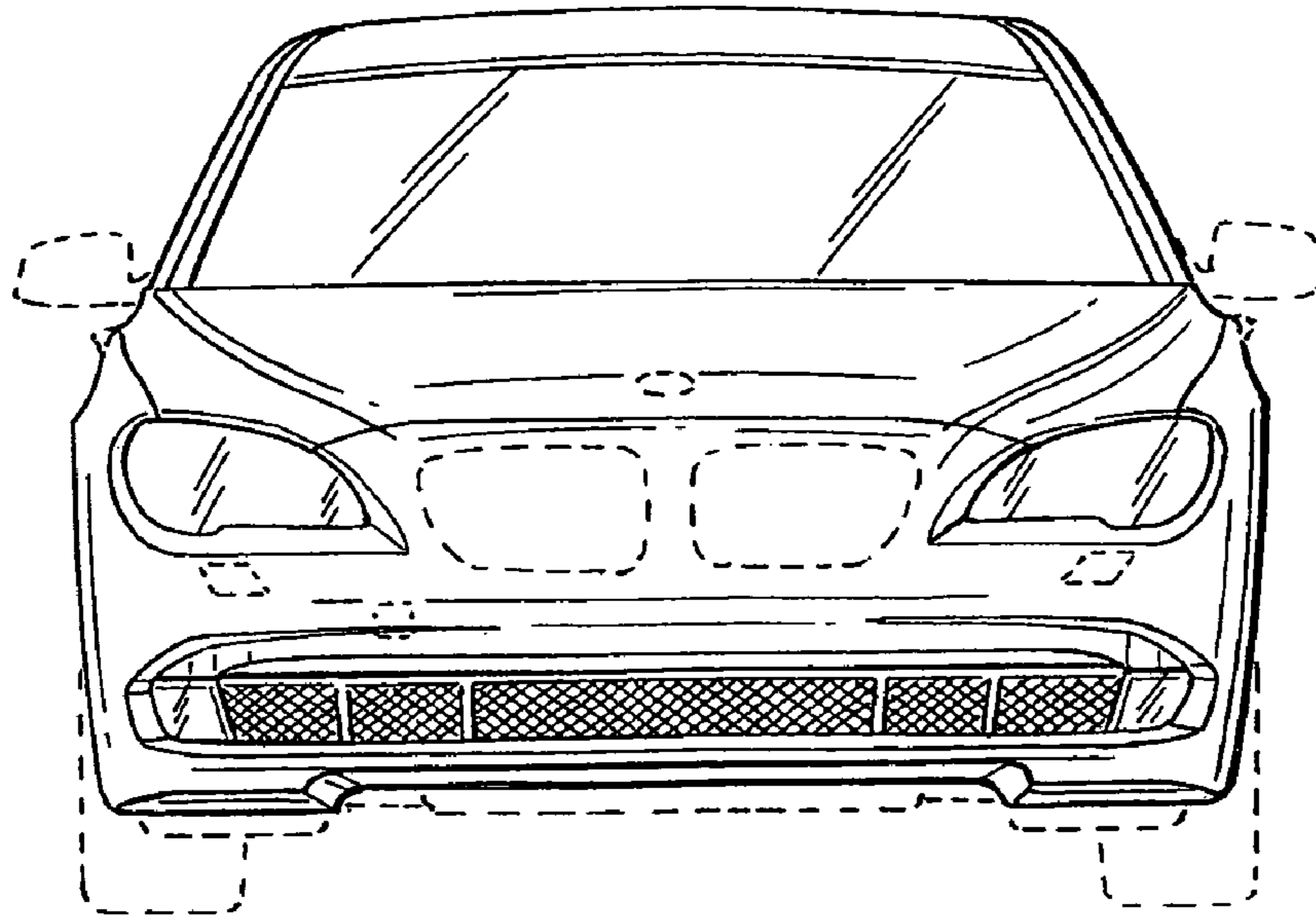


FIG. 5

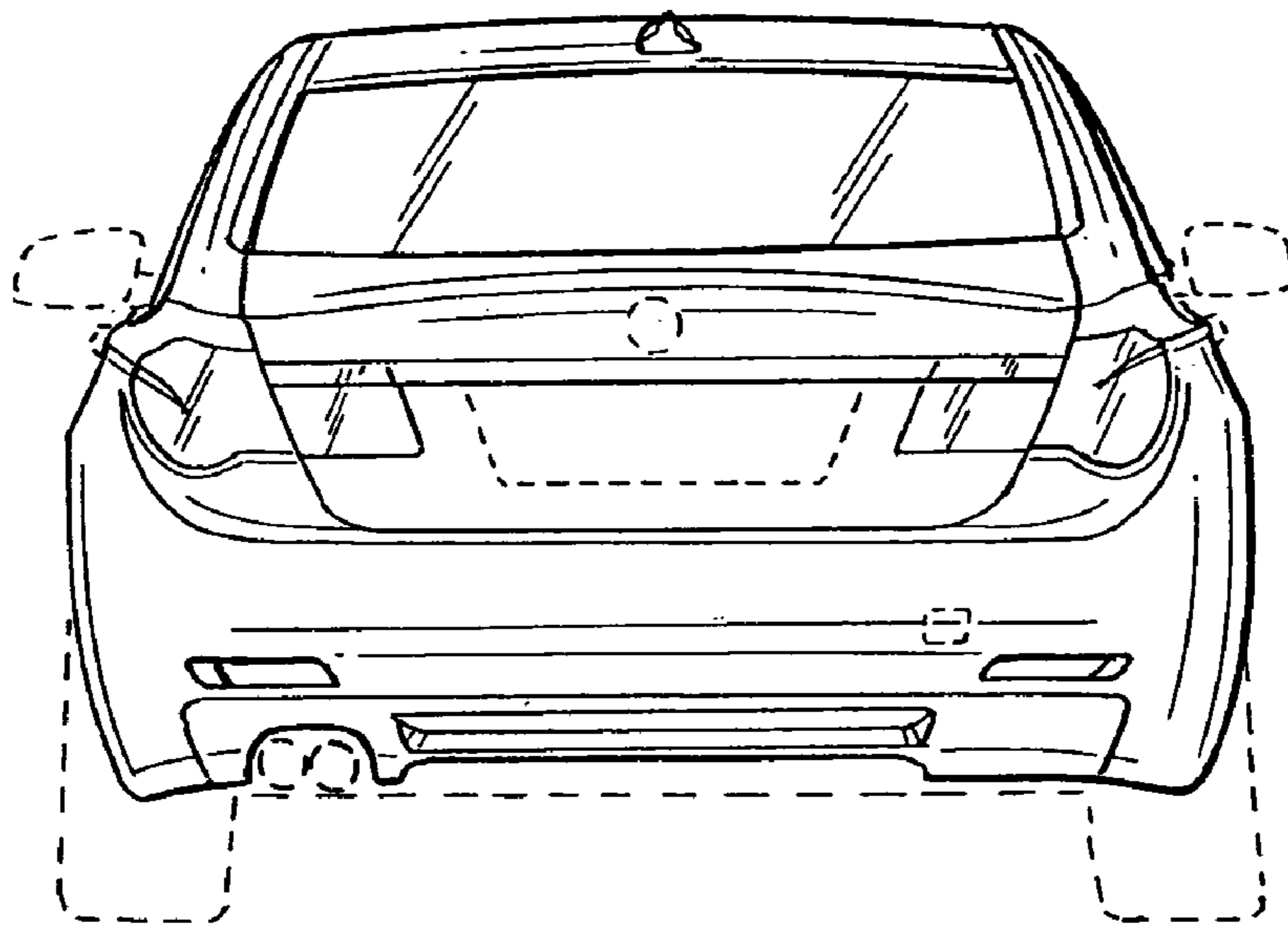


FIG. 6

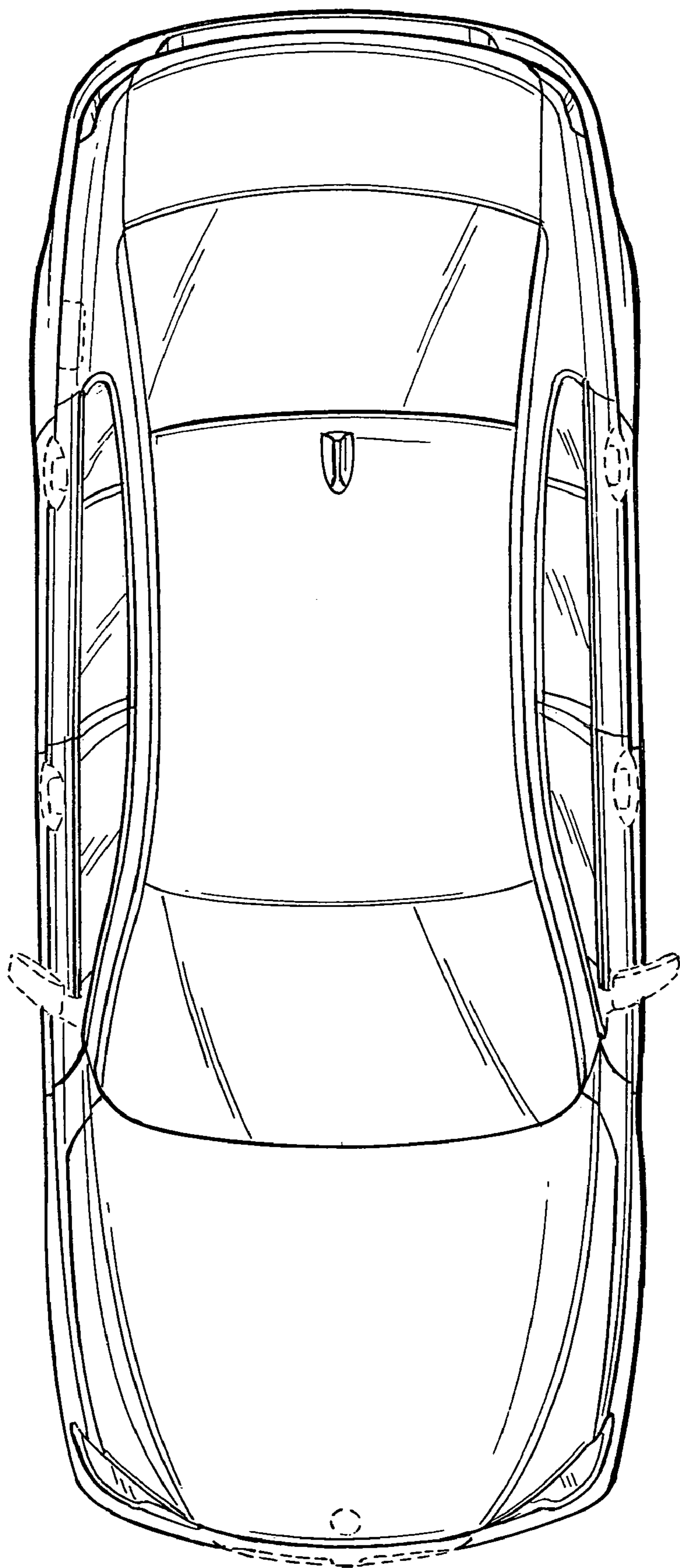


FIG. 7