



US00D592998S

(12) **United States Design Patent**
Woodard, Jr. et al.

(10) **Patent No.:** **US D592,998 S**
(45) **Date of Patent:** **** May 26, 2009**

(54) **VEHICLE**

(75) Inventors: **Roy Linwood Woodard, Jr.**, Statesboro, GA (US); **Bruce Rice Crapse**, Aiken, SC (US); **Dean Jayson Long**, Bradenton, FL (US)

(73) Assignee: **Club Car, Inc.**, Evans, GA (US)

(**) Term: **14 Years**

(21) Appl. No.: **29/321,567**

(22) Filed: **Jul. 18, 2008**

(51) **LOC (9) Cl.** **12-13**
(52) **U.S. Cl.** **D12/14; D12/16**
(58) **Field of Classification Search** D12/87, D12/86, 1, 433, 15, 16, 107, 82, 88, 89, 90, D12/91, 92, 93; D15/30; D21/803; 180/233, 180/908; 280/DIG. 5, 183, 184, 185, 186, 280/28, 37.7

See application file for complete search history.

(56) **References Cited**

U.S. PATENT DOCUMENTS

D339,786 S	9/1993	Allendorph et al.	
D371,372 S	7/1996	Westimayer et al.	
D397,977 S	9/1998	Hellhake et al.	
D403,641 S	1/1999	Sacco et al.	
D427,109 S *	6/2000	Molzon et al.	D12/1
D427,205 S	6/2000	Shimizu	
D436,069 S	1/2001	O'Connell	
D436,557 S *	1/2001	Selby et al.	D12/14
6,186,584 B1	2/2001	Samuelson et al.	
D439,548 S *	3/2001	Kouchi et al.	D12/1
D447,492 S	9/2001	Goebert et al.	

D449,806 S	10/2001	VanderMolen	
D450,277 S	11/2001	Onopa	
D458,945 S	6/2002	Hohnl et al.	
D466,531 S	12/2002	Hohnl et al.	
D467,202 S	12/2002	Mondragon Sarmiento et al.	
D470,091 S	2/2003	Kraus et al.	
D470,807 S	2/2003	Wyszogrod et al.	
6,523,879 B2 *	2/2003	Mizuta	296/71
D489,660 S	5/2004	Okumura et al.	

(Continued)

Primary Examiner—T. Chase Nelson

Assistant Examiner—Ania K Dworzecka

(74) *Attorney, Agent, or Firm*—Michael Best & Friedrich LLP

(57) **CLAIM**

We claim the ornamental design for a vehicle, as shown and described.

DESCRIPTION

FIG. 1 is a perspective view of a vehicle showing our new design;

FIG. 2 is a front view thereof;

FIG. 3 is a right view thereof;

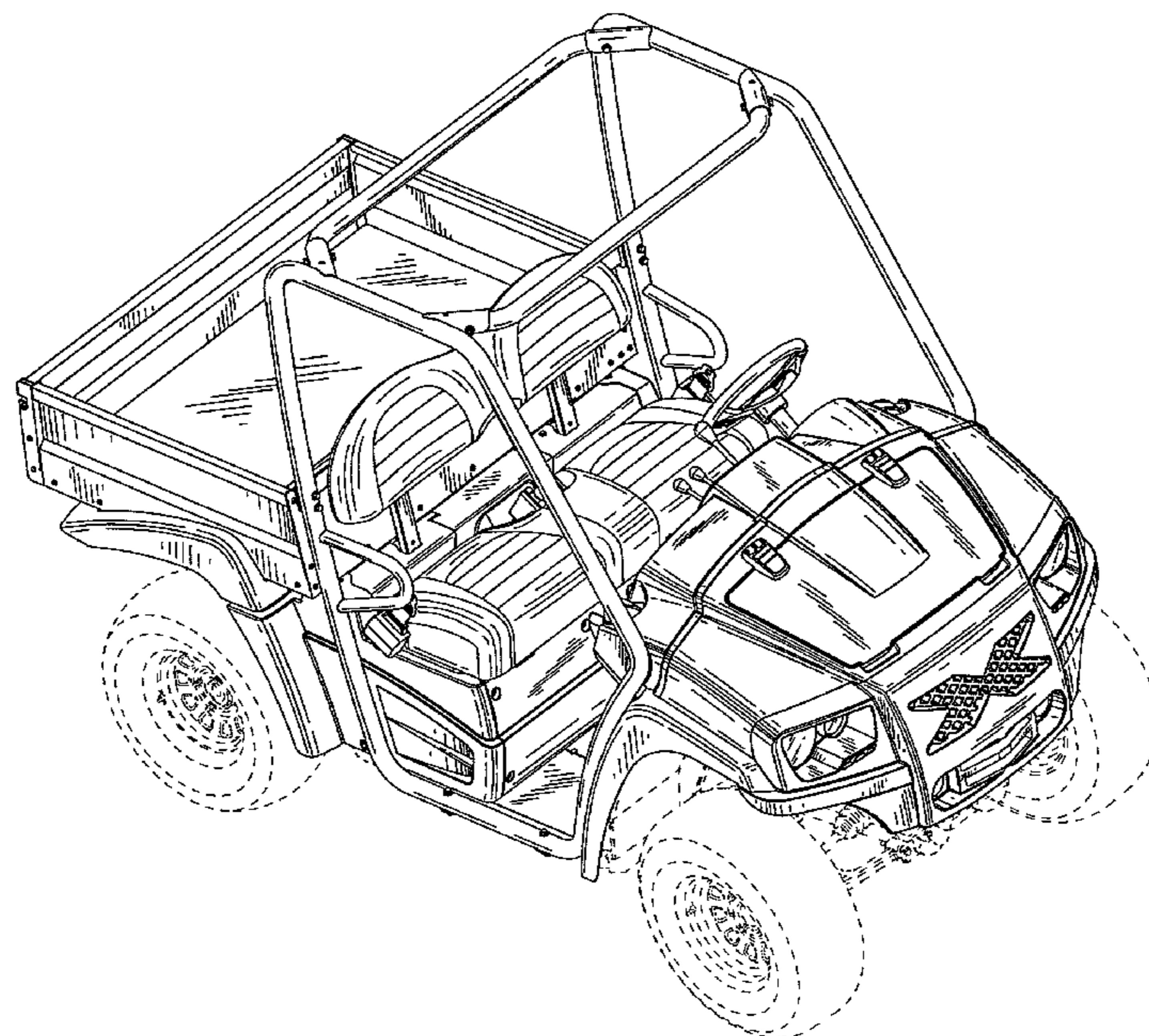
FIG. 4 is a left view thereof; and,

FIG. 5 is a top view thereof.

In the drawings, the broken lines shown in the Figures depict environmental subject matter only and form no part of the claimed design.

The portions of the vehicle not shown in the drawing form no part of the claimed design.

1 Claim, 5 Drawing Sheets



US D592,998 S

Page 2

U.S. PATENT DOCUMENTS

D492,620 S *	7/2004	Hadley	D12/1	D525,409 S	7/2006	Cantrill et al.	
D493,756 S	8/2004	Yamamoto et al.		7,093,580 B2 *	8/2006	McLeod	123/376
D494,115 S	8/2004	McPeck et al.		D532,353 S	11/2006	Honda et al.	
D494,890 S *	8/2004	Katoh	D12/14	7,140,670 B2 *	11/2006	Olson	296/190.08
D498,435 S *	11/2004	Saito et al.	D12/1	D536,287 S	2/2007	Beigel et al.	
D499,998 S	12/2004	Tanaka et al.		D538,721 S	3/2007	Woodard, Jr. et al.	
D502,132 S	2/2005	Bonner et al.		D548,148 S	8/2007	Woodard, Jr. et al.	
D502,901 S	3/2005	Delashaw et al.		D548,149 S	8/2007	Woodard, Jr. et al.	
D503,905 S *	4/2005	Saito et al.	D12/1	D548,150 S *	8/2007	Woodard et al.	D12/173
D504,638 S *	5/2005	Tanaka et al.	D12/14	D567,727 S	4/2008	Kawaguchi et al.	
D504,642 S	5/2005	Perfetti et al.		7,367,247 B2 *	5/2008	Horiuchi et al.	74/606 R
D511,317 S *	11/2005	Tanaka et al.	D12/1	D571,272 S	6/2008	Esaki et al.	
D512,006 S	11/2005	Sims		D578,433 S *	10/2008	Kawaguchi et al.	D12/14
D512,357 S	12/2005	Schuttera		D578,934 S *	10/2008	Tanaka et al.	D12/14
D514,995 S	2/2006	Acton et al.		D579,381 S *	10/2008	Bobbitt et al.	D12/14
D515,487 S	2/2006	Tanaka et al.		D579,821 S *	11/2008	Bobbitt et al.	D12/14
D519,894 S	5/2006	Asahi et al.		2005/0212244 A1 *	9/2005	Bobbitt et al.	280/86.751
				2008/0230294 A1 *	9/2008	Smith et al.	180/233

* cited by examiner

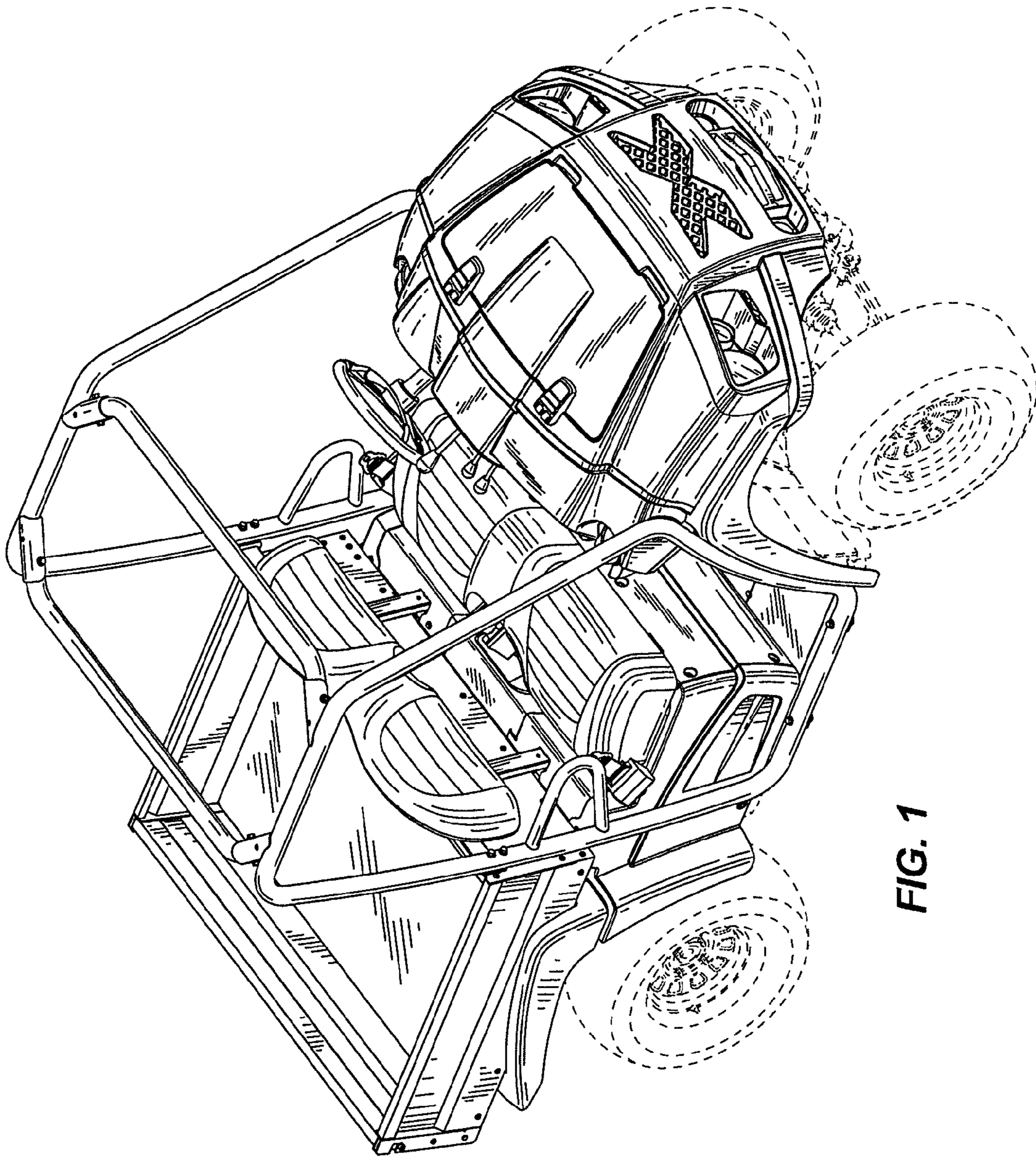


FIG. 1

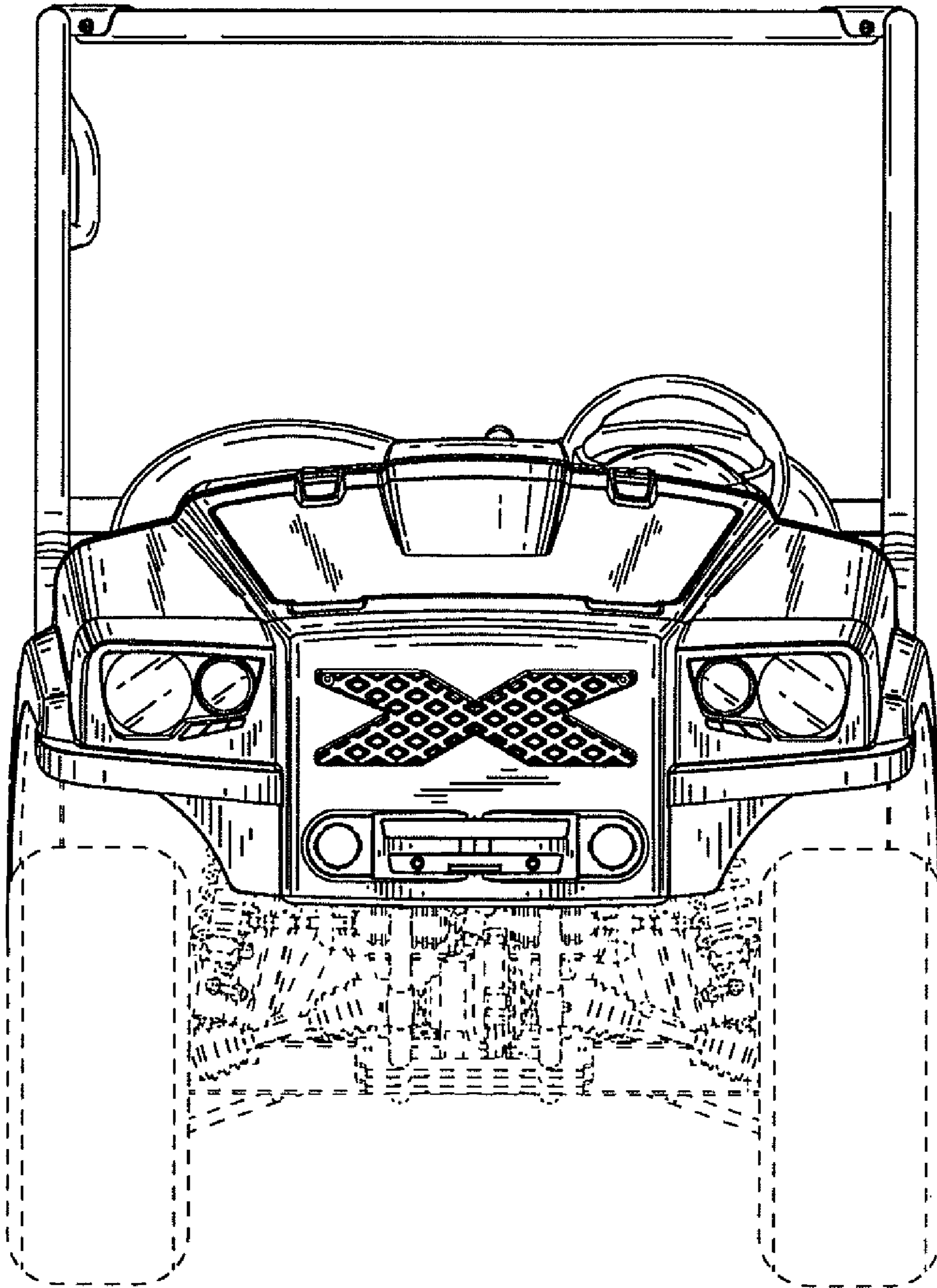


FIG. 2

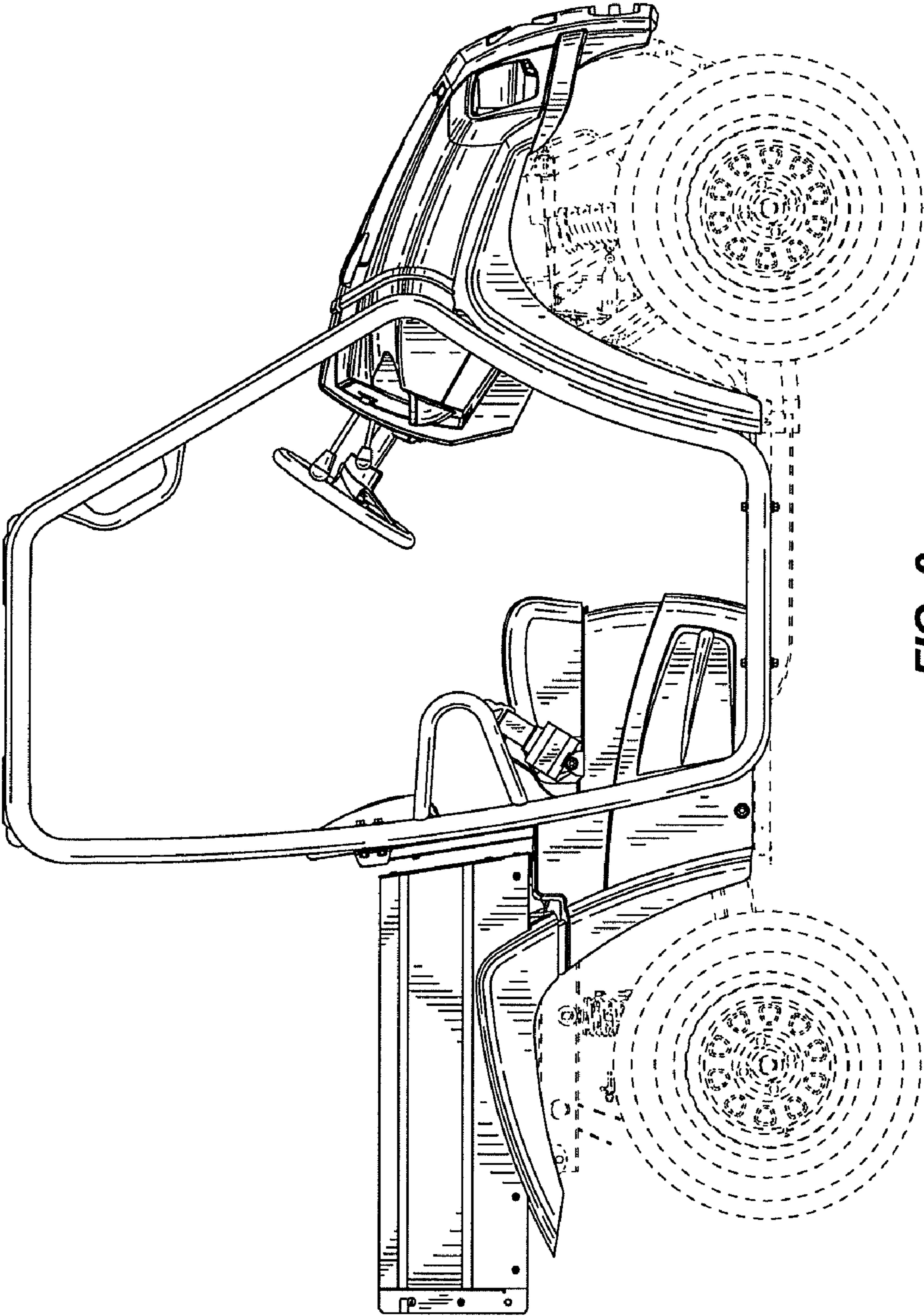


FIG. 3

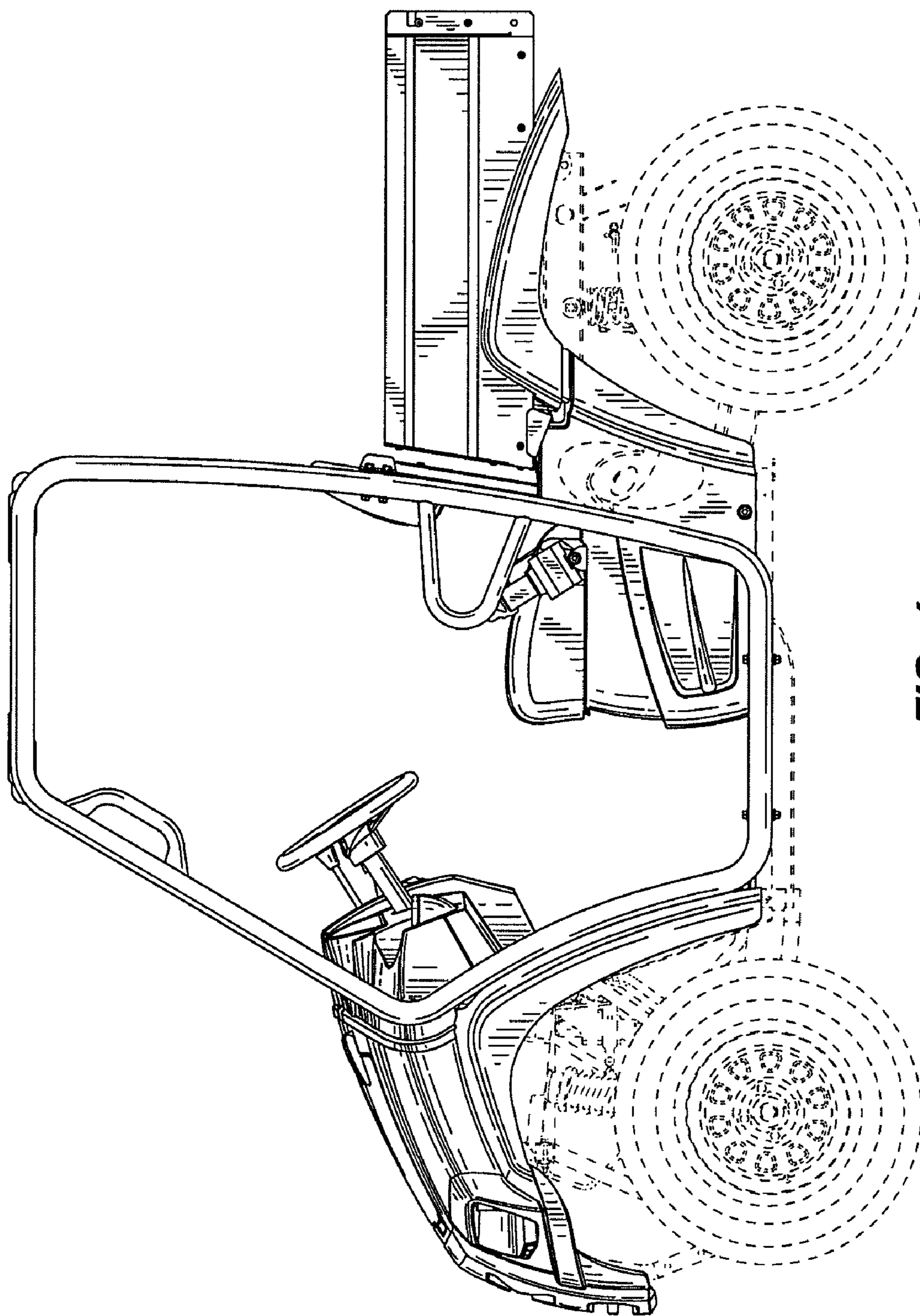


FIG. 4

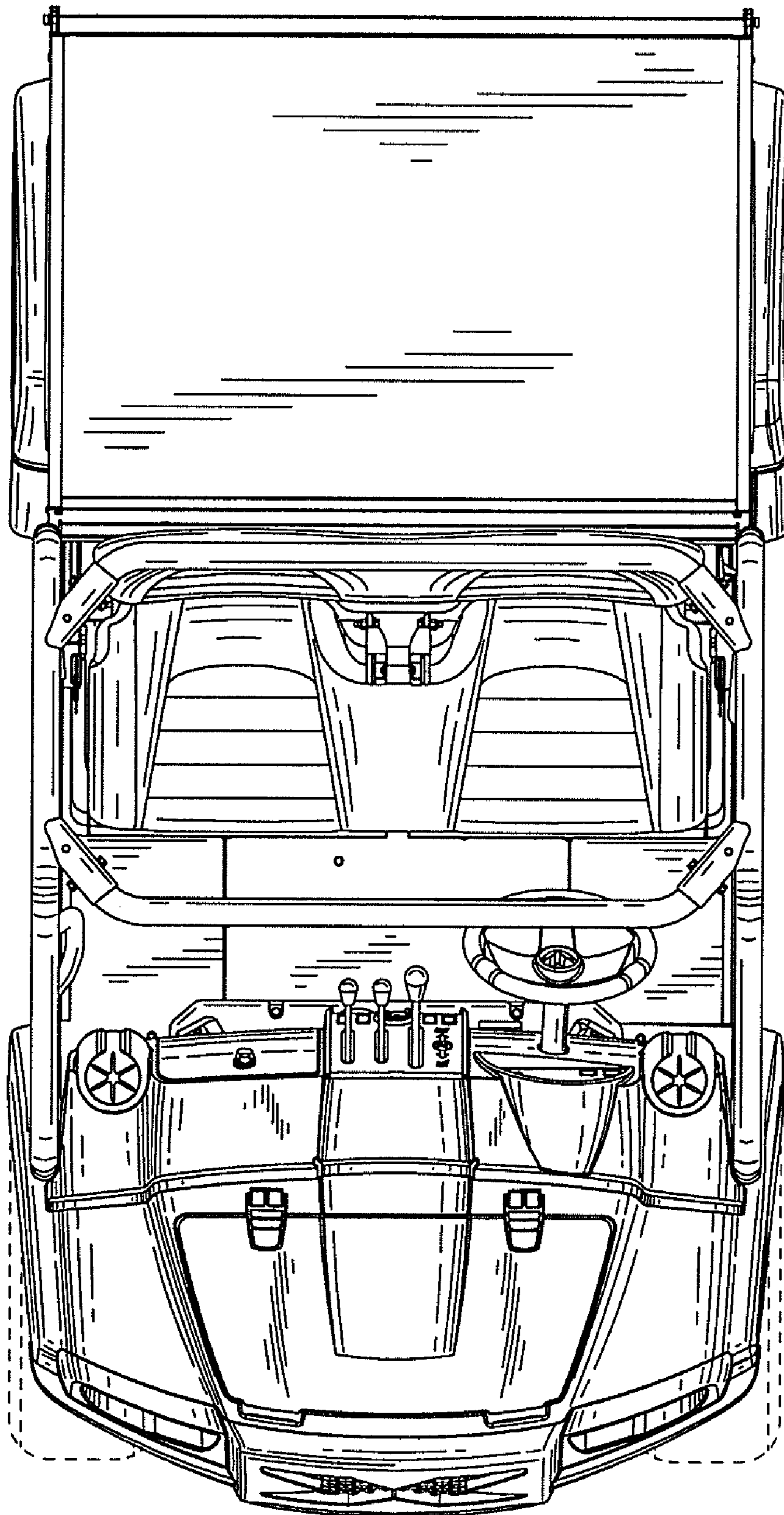


FIG. 5