



US00D592996S

(12) **United States Design Patent**
Howard et al.

(10) **Patent No.:** **US D592,996 S**
(45) **Date of Patent:** **** May 26, 2009**

(54) **SEEDLING TRAY**
(75) Inventors: **C. Dwight Howard**, Kinston, NC (US);
C. Wilbur Taylor, LaGrange, NC (US)
(73) Assignee: **Carolina Soil Co., Inc.**, Kinston, NC
(US)

D369,508 S * 5/1996 Jones et al. D7/357
5,644,999 A 7/1997 Williams 111/105
D401,530 S * 11/1998 Keskilohko D11/155
5,890,318 A * 4/1999 Hammerle 47/87
5,934,018 A 8/1999 Thomas 47/87
D419,913 S * 2/2000 Thomas et al. D11/156
D495,621 S * 9/2004 Sikina D11/155
D540,711 S * 4/2007 Howard et al. D11/155

(**) Term: **14 Years**
(21) Appl. No.: **29/294,826**
(22) Filed: **Jan. 29, 2008**

OTHER PUBLICATIONS

Four (4) digital photographs of a seedling tray including a top plan view, a top perspective view, a first bottom perspective view and a second bottom perspective view.

(51) **LOC (9) Cl.** **11-02**
(52) **U.S. Cl.** **D11/155**
(58) **Field of Classification Search** D6/403–405,
D6/556; D9/758; D11/143–156; D19/77,
D19/81, 84; D25/100; D26/9, 16; D30/108,
D30/109, 114, 119; 47/32.7, 33, 39, 41.01,
47/41.1, 41.11–41.15, 44–47, 65.5, 65.9,
47/66.1, 66.2, 66.6, 66.7, 67–70, 73, 75,
47/77, 86, 87; 206/423

* cited by examiner

Primary Examiner—Caron Veynar
Assistant Examiner—Garth Rademaker

See application file for complete search history.

(57) **CLAIM**

The ornamental design for a seedling tray, as shown and described.

(56) **References Cited**

DESCRIPTION

U.S. PATENT DOCUMENTS

1,989,403 A * 1/1935 Dauernheim 47/39
3,035,369 A * 5/1962 Helfert 47/87
3,142,133 A * 7/1964 Brooks 47/73
3,667,159 A 6/1972 Todd 47/34.13
4,289,080 A 9/1981 Penley 111/3
4,296,569 A * 10/1981 Edwards 47/73
D273,363 S * 4/1984 Hagedorn et al. D9/758
D275,366 S * 9/1984 Maxwell D9/759
D277,467 S * 2/1985 Turunen D11/155
D277,837 S * 3/1985 Turunen D11/155
4,793,096 A 12/1988 Todd, Sr. 47/59
4,962,855 A * 10/1990 Holmquist 206/423
5,052,549 A * 10/1991 Scharch D11/155
5,127,189 A * 7/1992 Holmberg 47/87
D356,524 S * 3/1995 McTavish et al. D11/155
5,426,890 A * 6/1995 Dummen 47/87

FIG. 1 is a top, front, right side perspective view of a seedling tray embodying our design with the shading representing an irregular surface;

FIG. 2 is a top plan view thereof;

FIG. 3 is a bottom plan view thereof;

FIG. 4 is a left side elevational view thereof, the right side elevational view being a mirror image thereof;

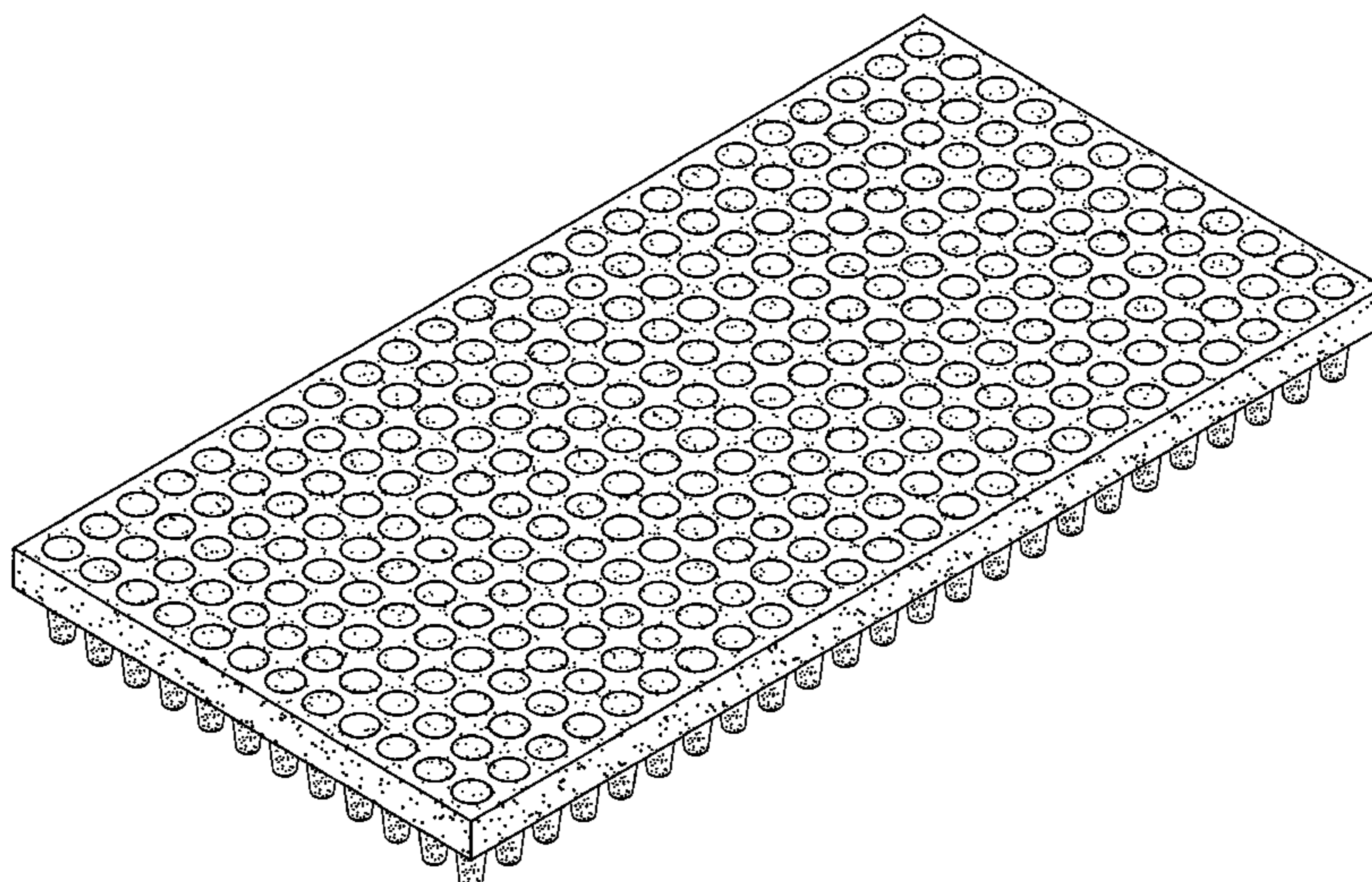
FIG. 5 is a rear elevational view thereof, the front elevational view being a mirror image thereof;

FIG. 6 is a left side elevation view of a single cell thereof, taken from section 6—6 of FIG. 2, shown at an enlarged scale;

FIG. 7 is a top plan view of the single cell shown in FIG. 6; and,

FIG. 8 is a bottom plan view of the single cell shown in FIG. 6.

1 Claim, 5 Drawing Sheets



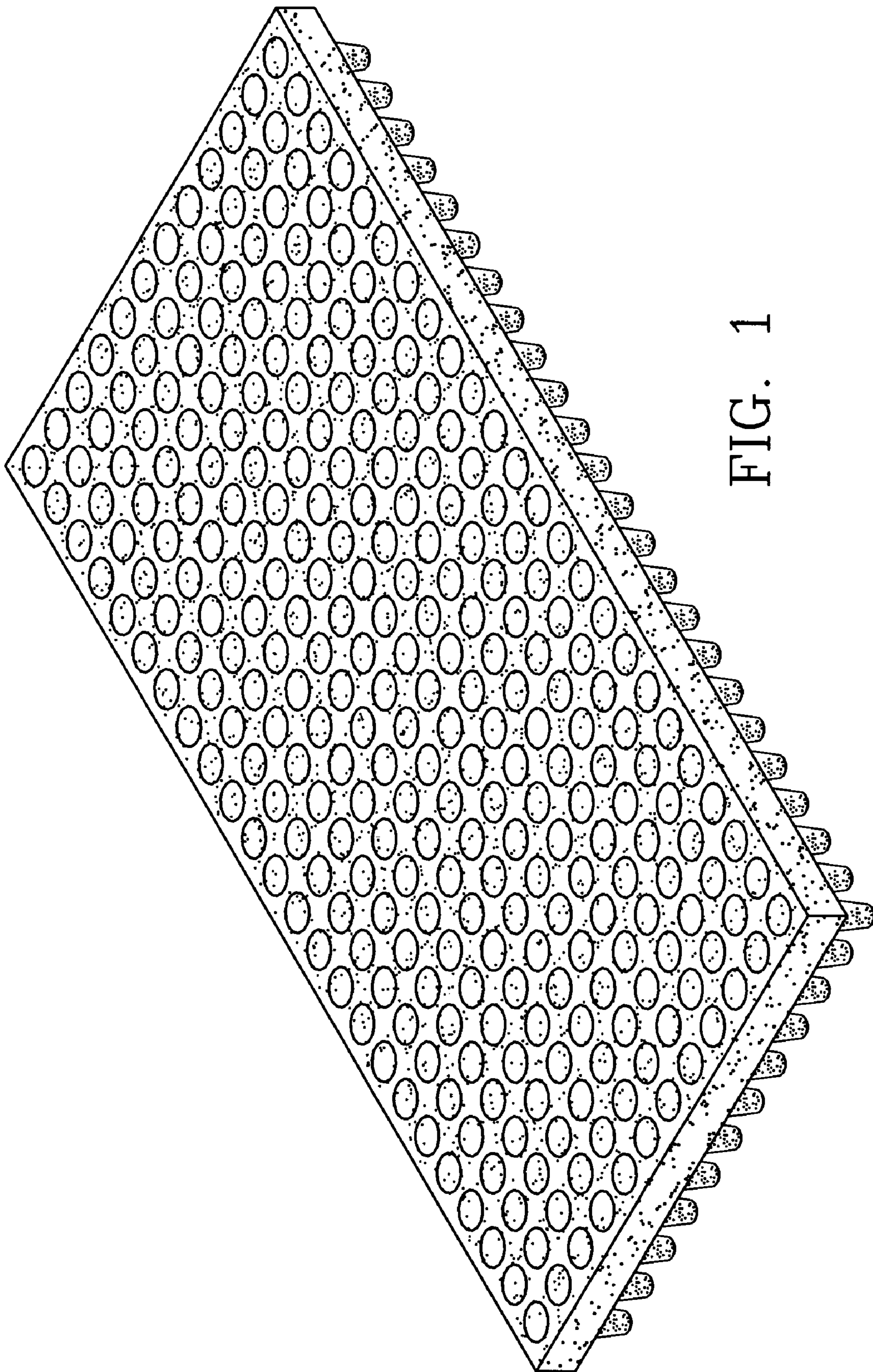


FIG. 1

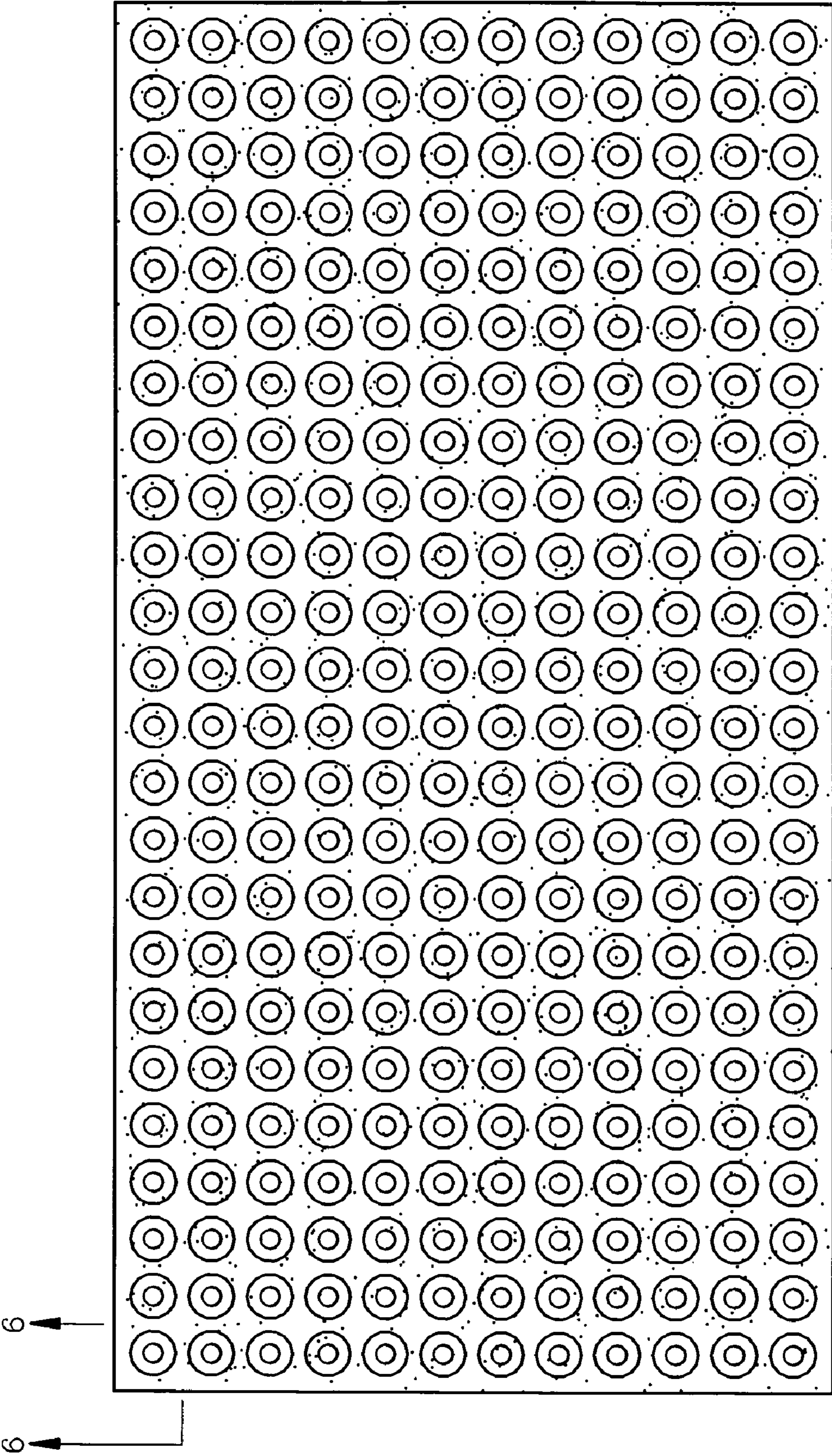


FIG. 2

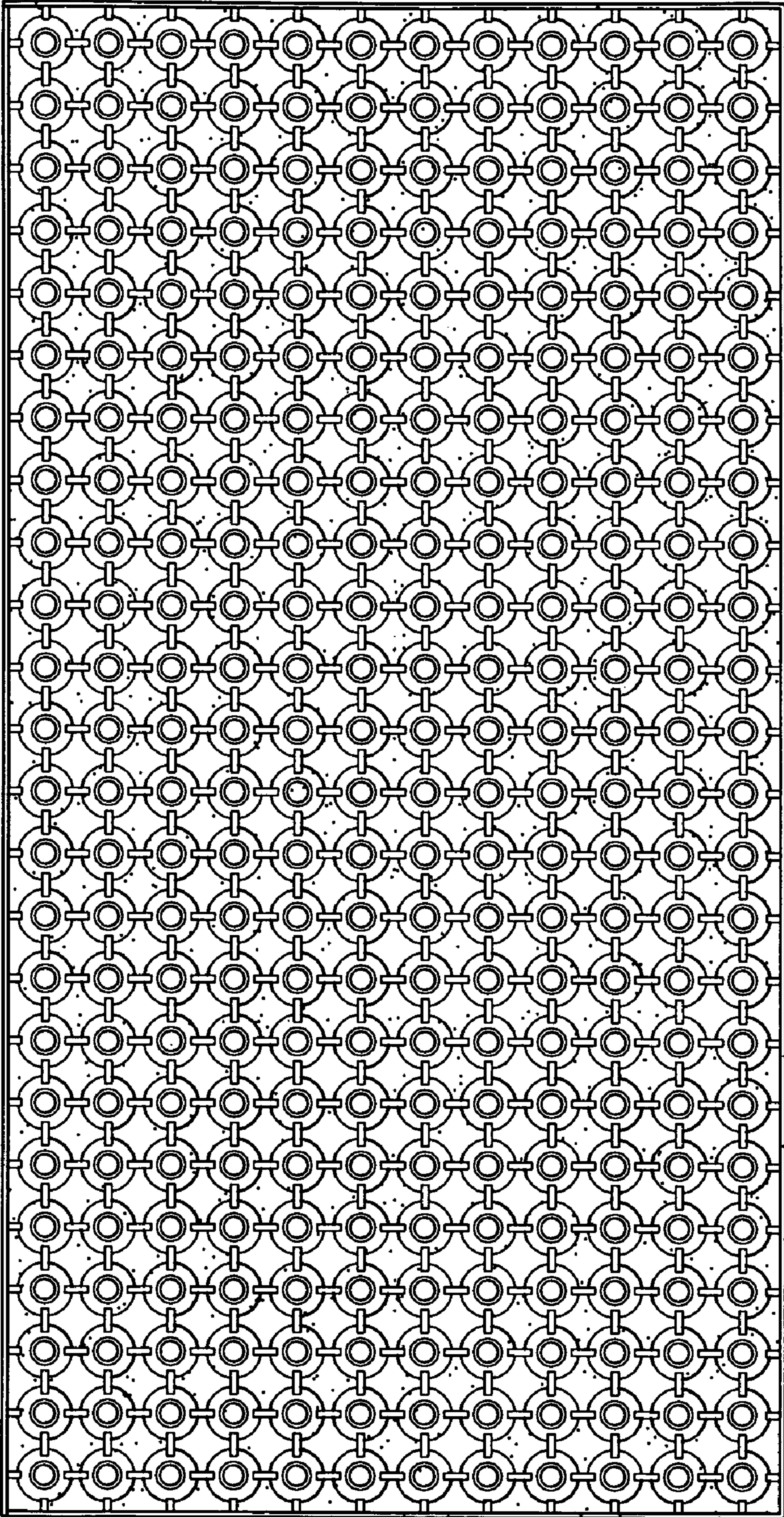


FIG. 3



FIG. 4

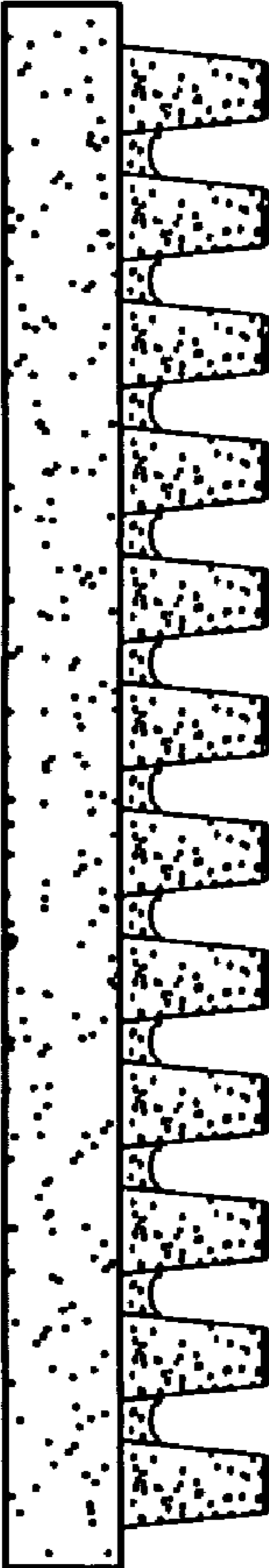


FIG. 5

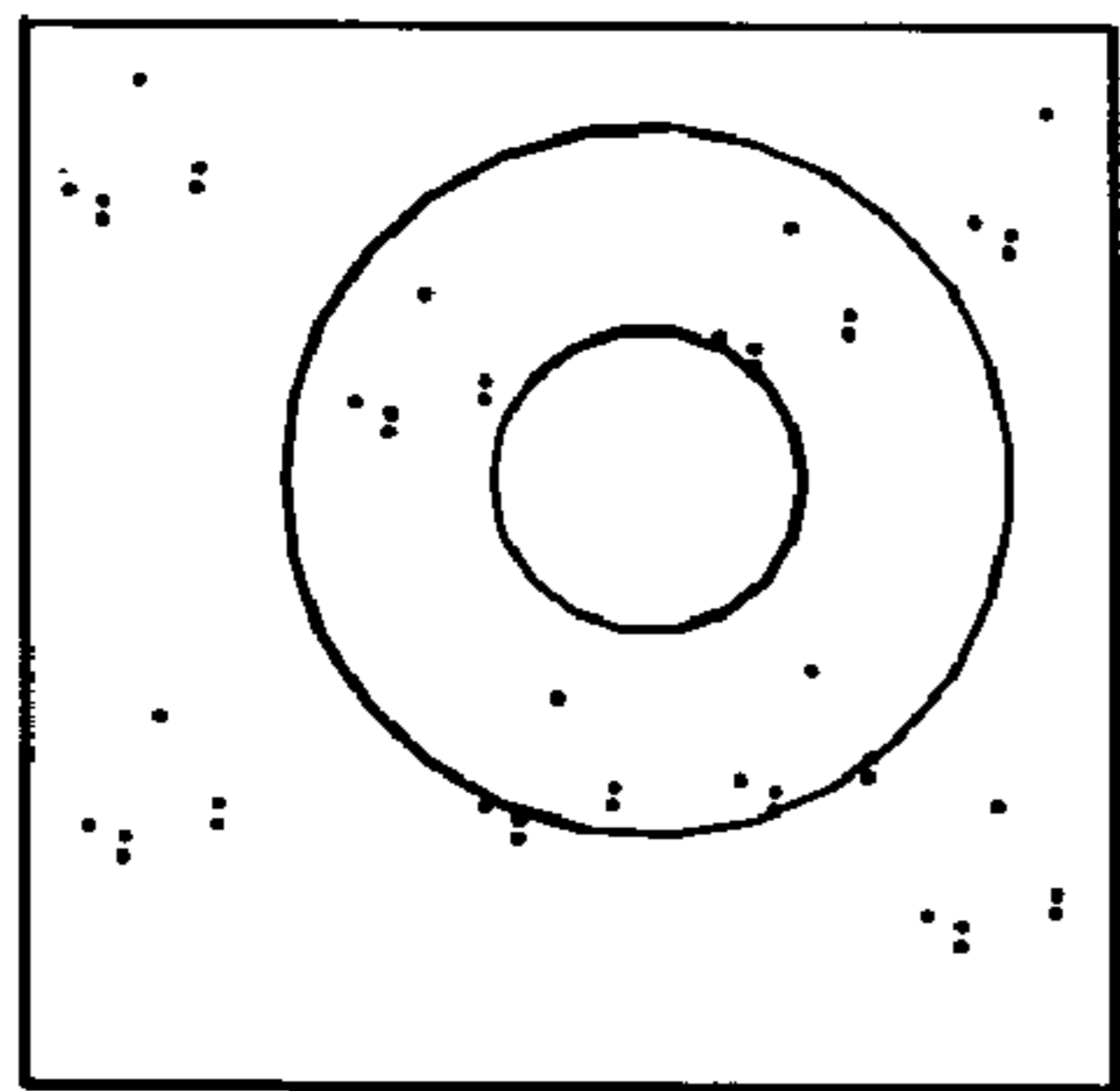


FIG. 7

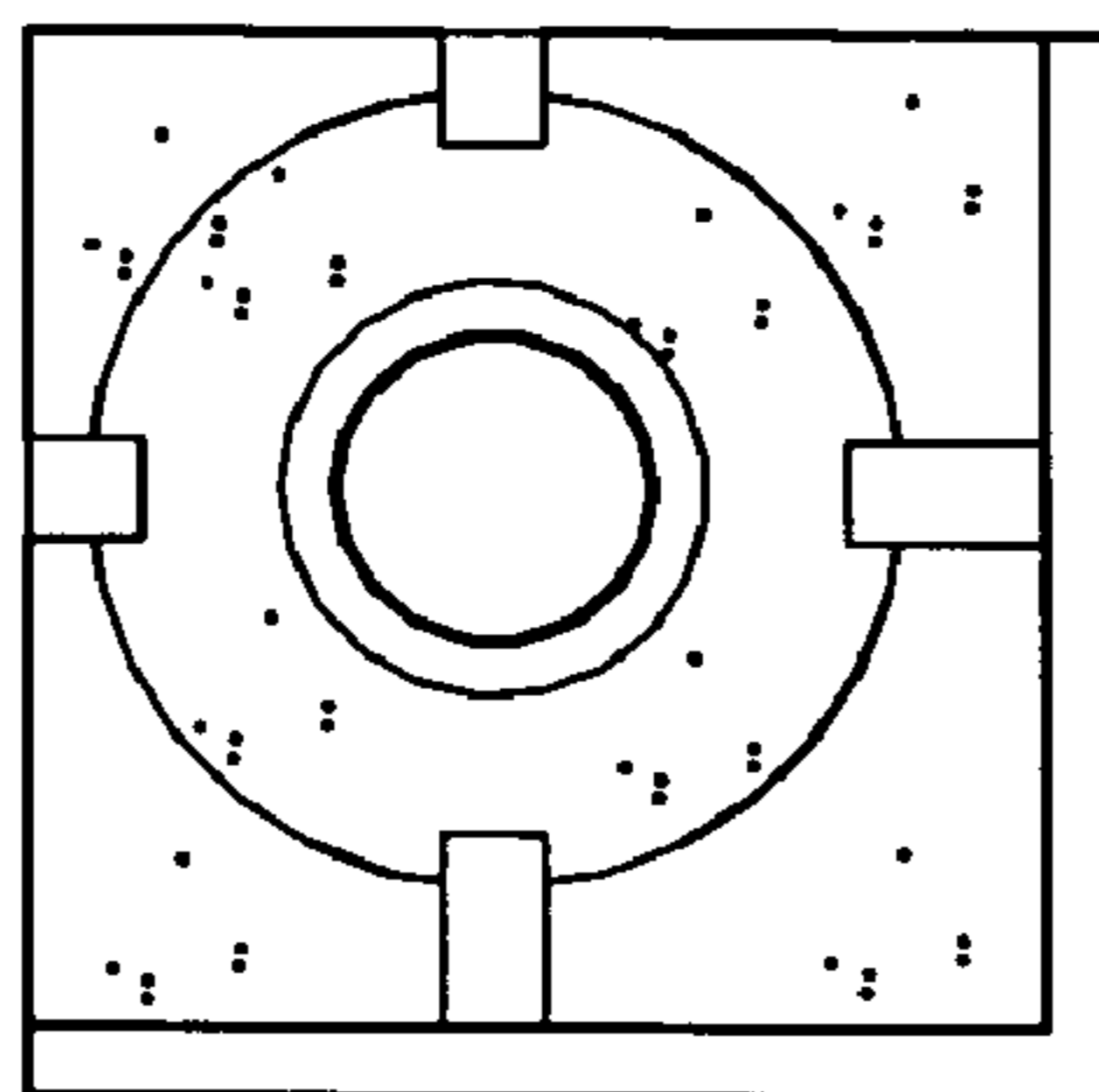


FIG. 8

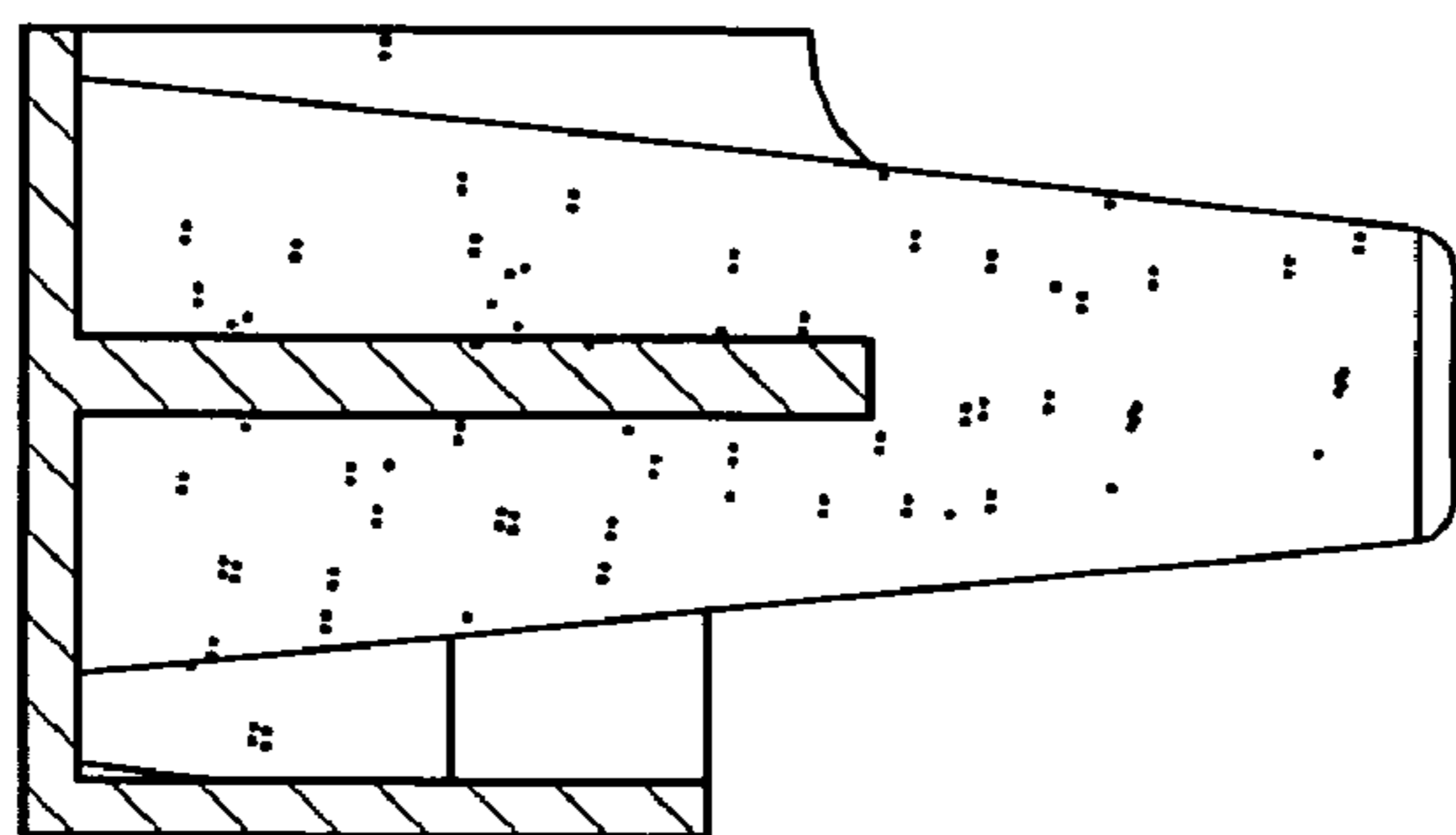


FIG. 6