



US00D592995S

(12) **United States Design Patent**
Jean

(10) **Patent No.:** **US D592,995 S**

(45) **Date of Patent:** **** May 26, 2009**

(54) **LAPEL PIN**

D120,626 S 5/1940 Meadow
D132,976 S 7/1942 Lockwood
D144,951 S 6/1946 Weinstock
D279,360 S 6/1985 Hubachek

(75) Inventor: **Paul Jean**, Brossard (CA)

(73) Assignee: **Northern International, Inc.**, Ontario (CA)

(**) Term: **14 Years**

(21) Appl. No.: **29/326,475**

(22) Filed: **Oct. 20, 2008**

Primary Examiner—T. Chase Nelson
Assistant Examiner—Michael A Pratt
(74) *Attorney, Agent, or Firm*—McAndrews, Held & Malloy, Ltd.

Related U.S. Application Data

(63) Continuation of application No. 29/302,060, filed on Jan. 9, 2008, now Pat. No. Des. 578,926.

(51) **LOC (9) Cl.** **11-03**

(52) **U.S. Cl.** **D11/114**

(58) **Field of Classification Search** D11/1–24,
D11/30, 40, 41, 42, 43, 44, 45, 47, 48, 49,
D11/79, 80, 86, 89, 90, 91, 92, 93, 117, 120,
D11/121, 122, 139, 143, 144, 151; 63/3,
63/3.1, 3.2, 4, 5.1, 7, 10, 11, 15, 15.7, 18,
63/21, 35, 37, 38; 224/175

See application file for complete search history.

(56) **References Cited**

U.S. PATENT DOCUMENTS

D44,424 S 7/1913 Wadsworth
D117,039 S 10/1939 Glaenger

(57) **CLAIM**

The ornamental design for a lapel pin, as substantially shown and described.

DESCRIPTION

FIG. 1 is a perspective view of a lapel pin showing my new design;

FIG. 2 is a front side elevation view thereof;

FIG. 3 is a back side elevation view thereof;

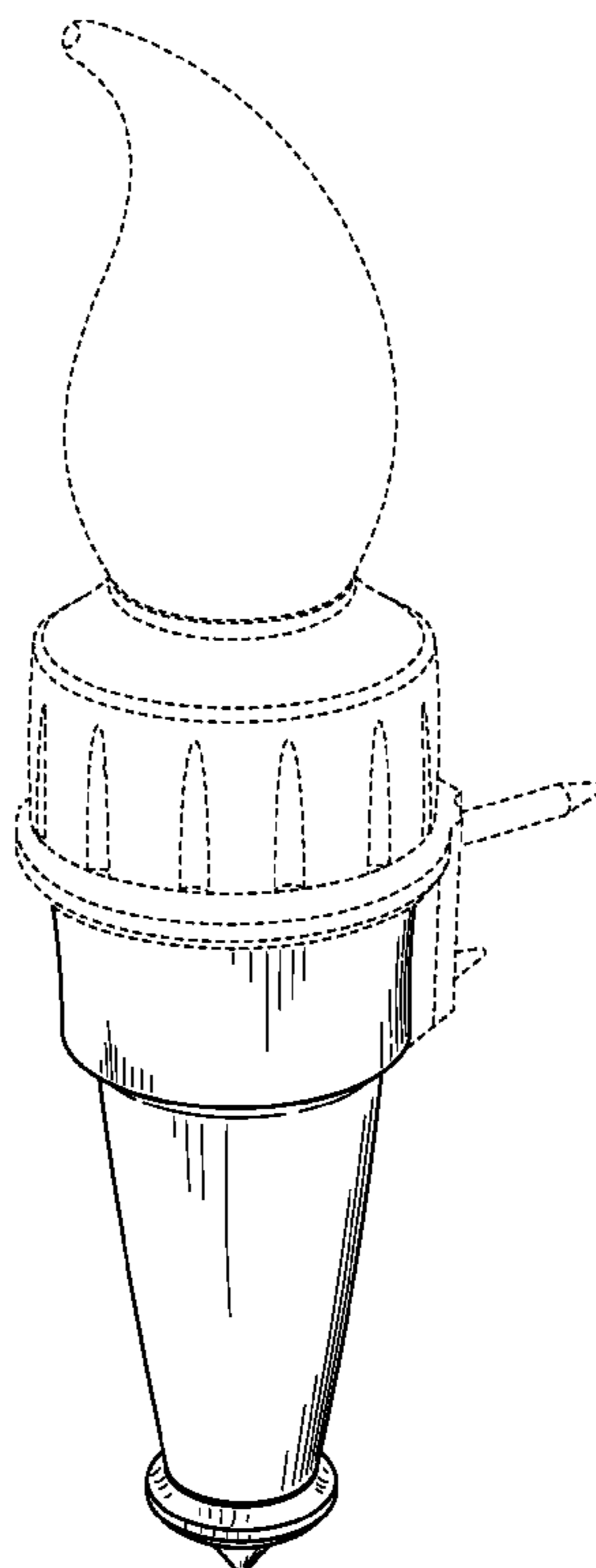
FIG. 4 is a left side elevation view thereof, the right side elevation view being a mirror image thereof;

FIG. 5 is a top plan view thereof; and,

FIG. 6 is a bottom plan view thereof.

The broken line showing of the upper portion and rear pin structure of the lapel pin is included for the purposes of illustrating environment and forms no part of the claimed design.

1 Claim, 2 Drawing Sheets



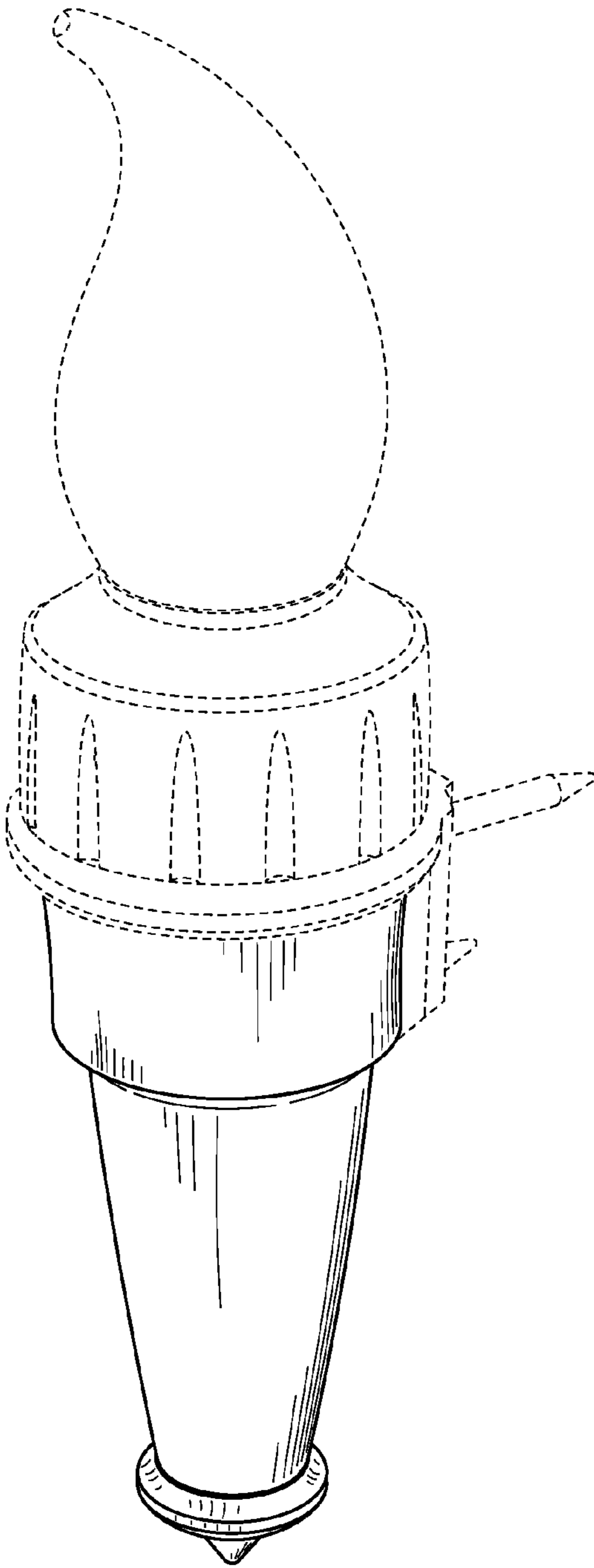


FIG. 1

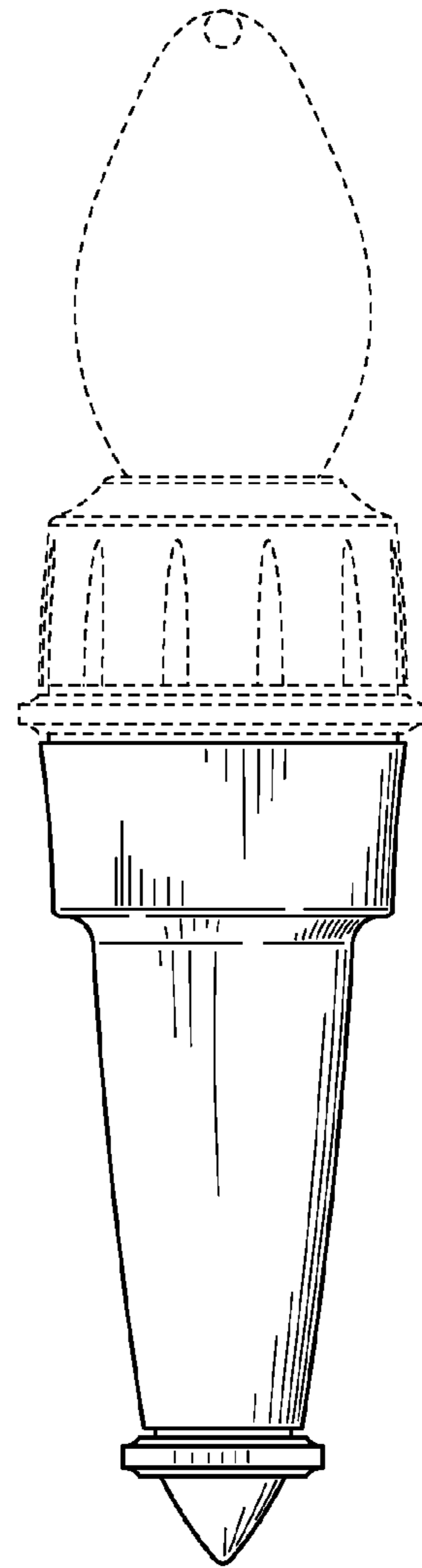


FIG. 2

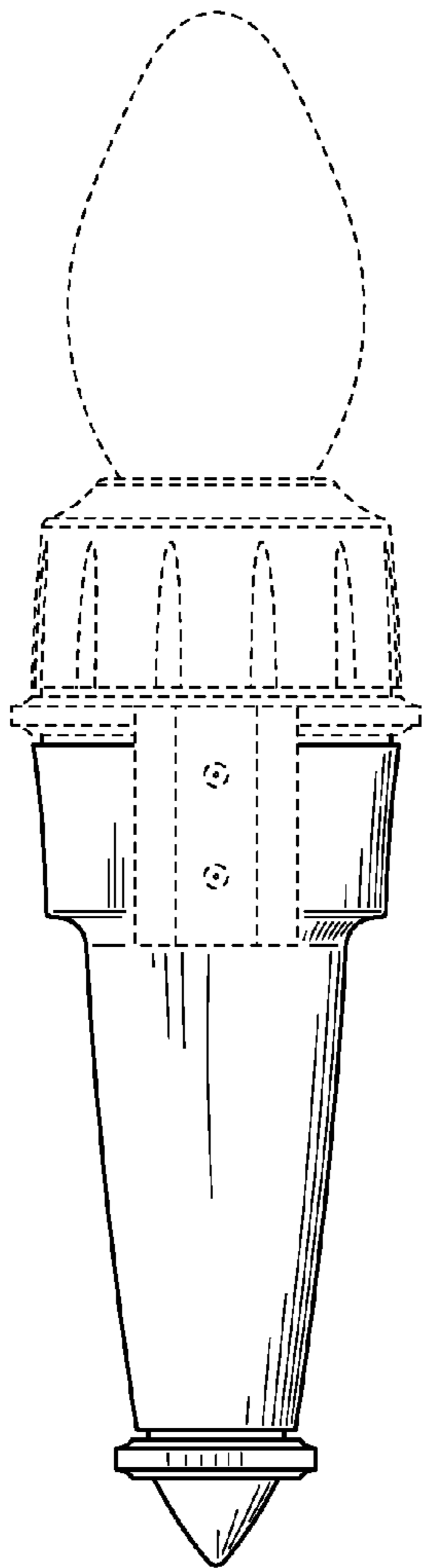


FIG. 3

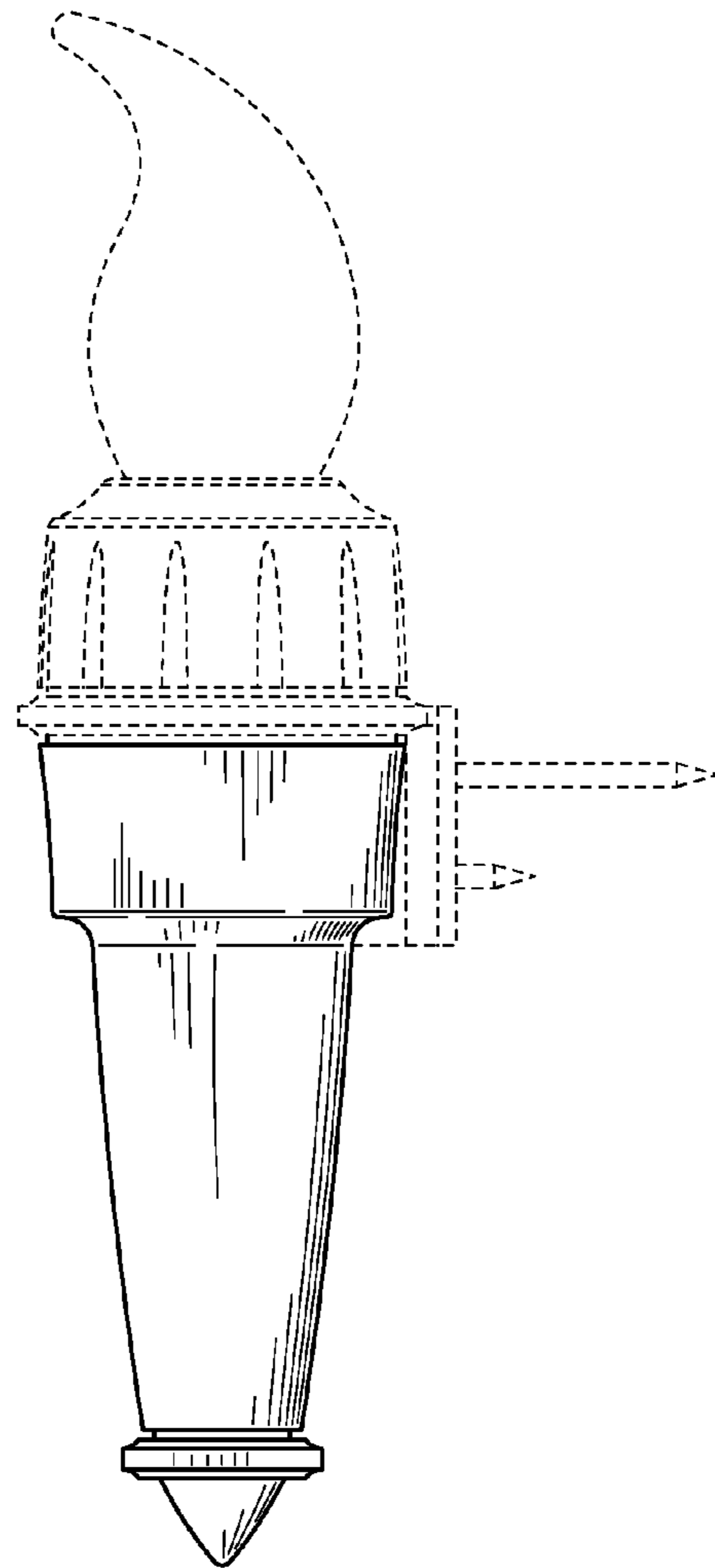


FIG. 4

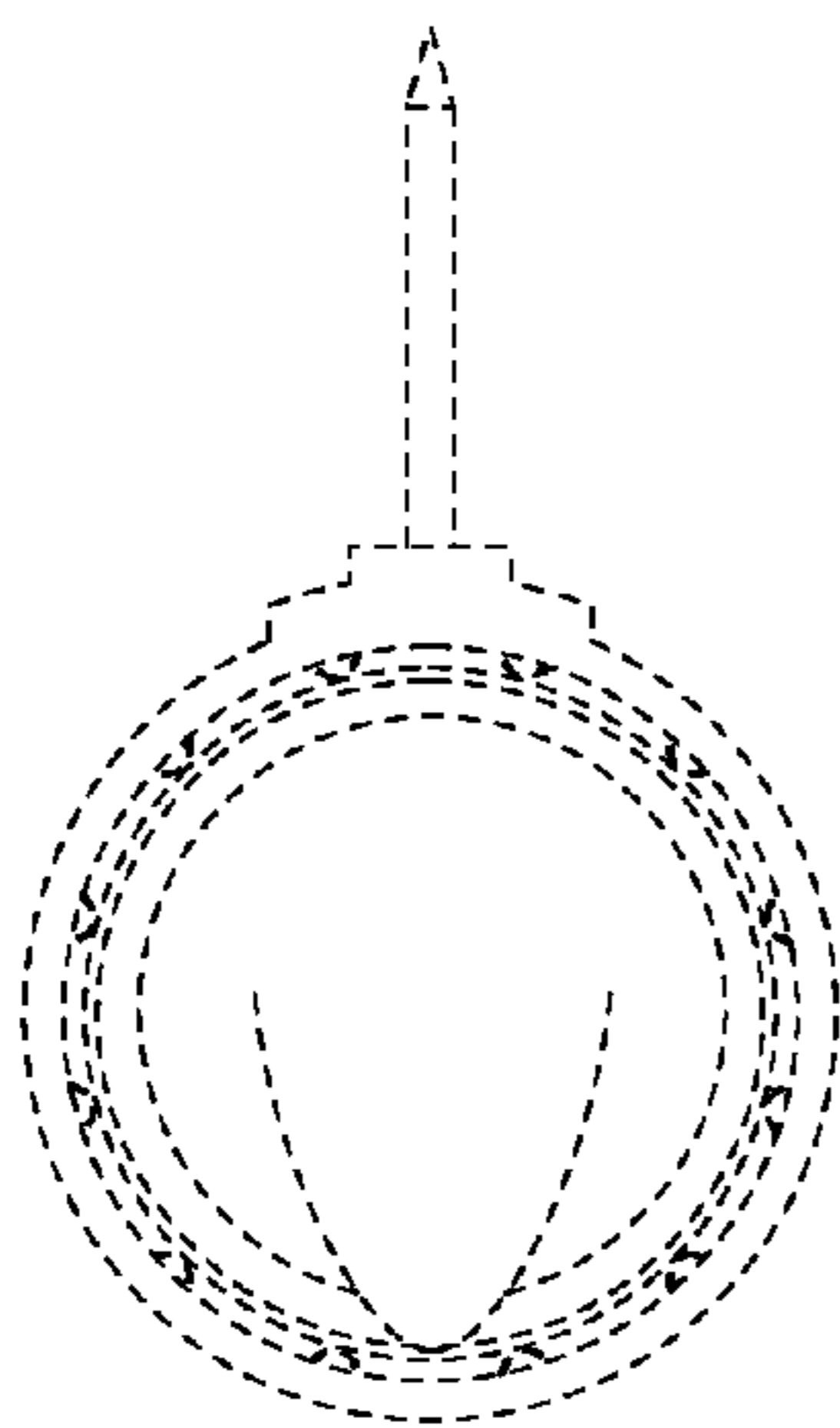


FIG. 5

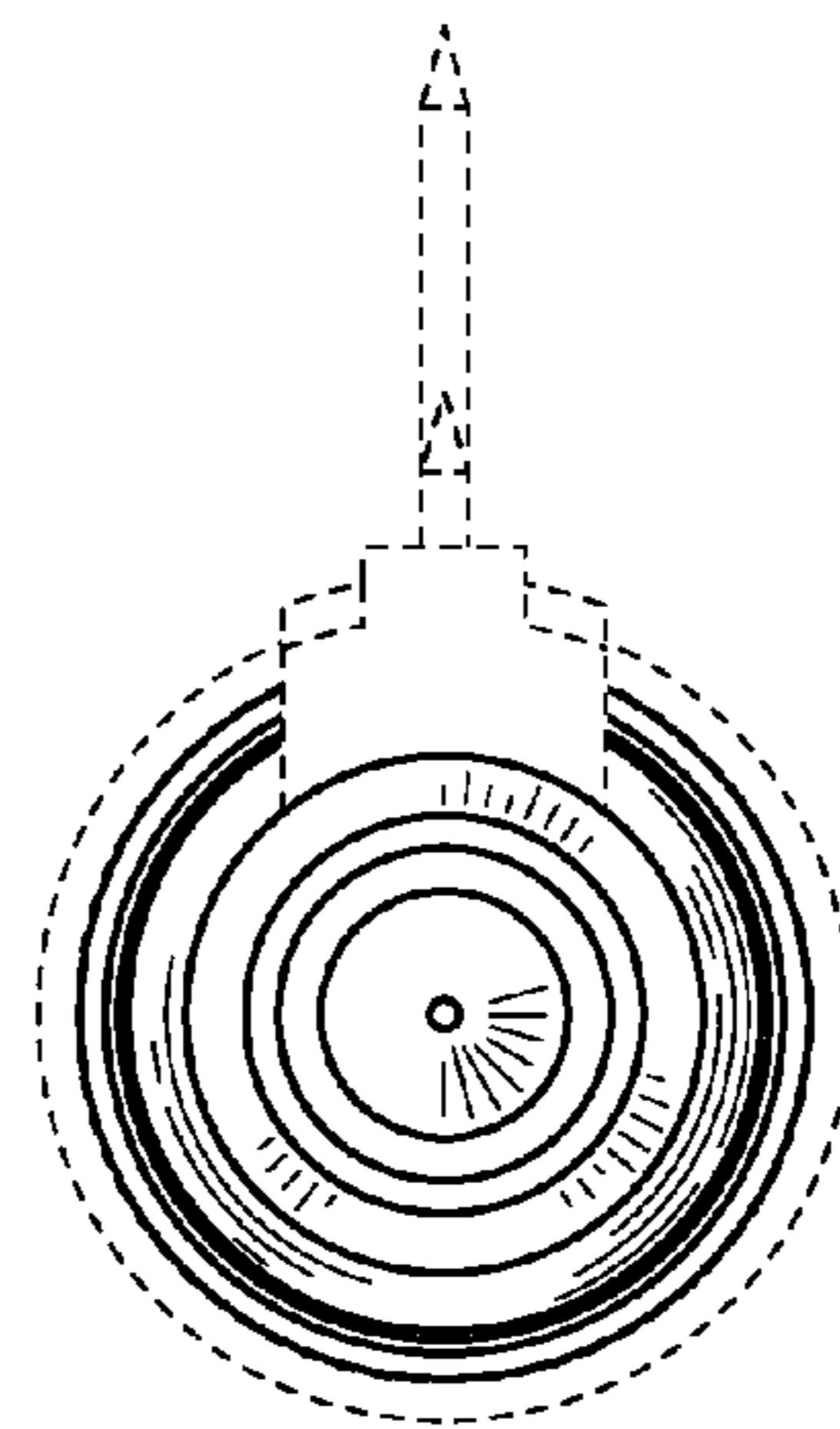


FIG. 6