

US00D592994S

(12) **United States Design Patent**
Zander

(10) **Patent No.:** **US D592,994 S**

(45) **Date of Patent:** **** May 26, 2009**

(54) **LINK**

(75) Inventor: **Jan Zander**, Hamburg (DE)

(73) Assignee: **Montblanc-Simplo GmbH**, Hamburg (DE)

(**) Term: **14 Years**

(21) Appl. No.: **29/320,159**

(22) Filed: **Jun. 23, 2008**

(30) **Foreign Application Priority Data**

Dec. 21, 2007 (CH) 134856

(51) **LOC (9) Cl.** **11-01**

(52) **U.S. Cl.** **D11/93**

(58) **Field of Classification Search** D11/6-13,
D11/89-93, 1, 2, 16, 17, 24-28, 34-43, 79,
D11/70, 222, 47, 75; 63/1.11-14.1, 13, 15-15.4,
63/20, 22, 23, 26-33; D8/354, 399, 499;
D21/408, 468

See application file for complete search history.

(56) **References Cited**

U.S. PATENT DOCUMENTS

D52,425 S * 9/1918 Blackmore D8/399
2,164,018 A * 6/1939 Morehouse D11/41
D235,006 S * 4/1975 Kitson D8/499

D239,731 S * 4/1976 Kitson D8/499
D287,102 S * 12/1986 Albertini D8/499
D305,927 S * 2/1990 Linderman et al. D8/399
D348,855 S * 7/1994 Kelman D11/91
D486,055 S * 2/2004 Fiorentino et al. D8/354
D492,576 S * 7/2004 Fiorentino et al. D8/354
D546,729 S * 7/2007 Kay D11/93
D560,602 S * 1/2008 Neri et al. D8/499
D570,240 S * 6/2008 Gruosi-Scheufele D11/79
D570,723 S * 6/2008 Steshik D11/79

* cited by examiner

Primary Examiner—T. Chase Nelson

Assistant Examiner—David G Muller

(74) *Attorney, Agent, or Firm*—Young & Thompson

(57) **CLAIM**

The ornamental design for a link, as shown and described.

DESCRIPTION

FIG. 1 is a top view of the link.

FIG. 2 is a bottom view of the link.

FIG. 3 is a side view from the left of FIG. 1.

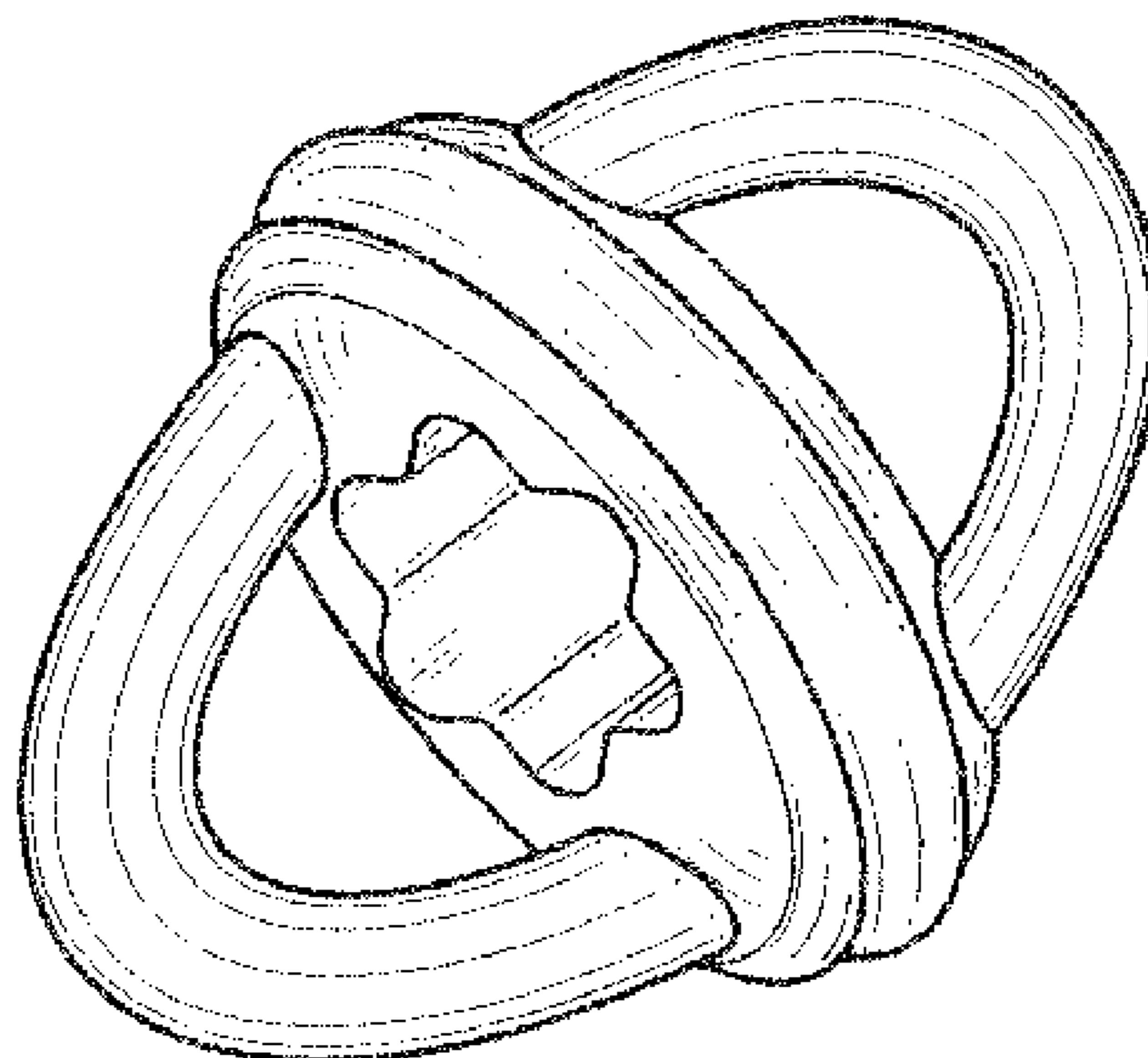
FIG. 4 is a side view from the right of FIG. 1.

FIG. 5 is a view from the top of FIG. 1.

FIG. 6 is a view from the bottom of FIG. 1; and,

FIG. 7 is a perspective view of the link.

1 Claim, 1 Drawing Sheet



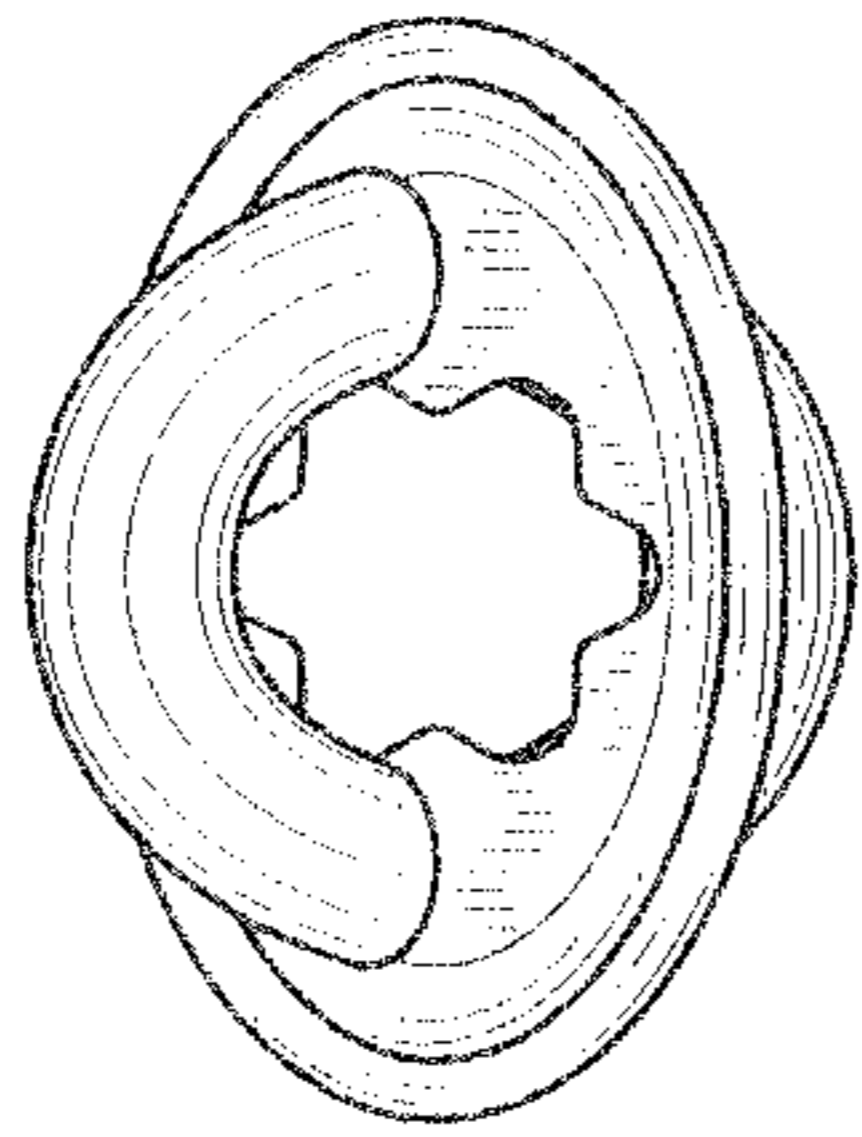


fig.1

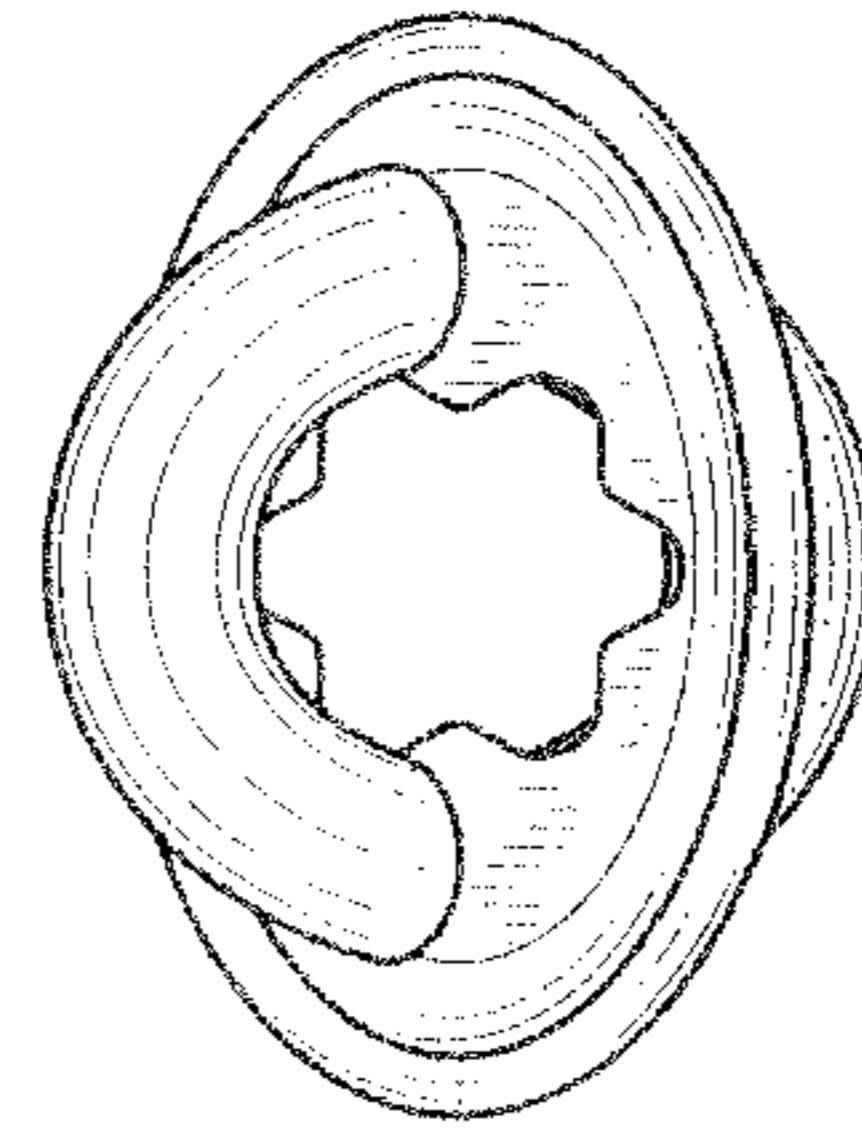


fig.2

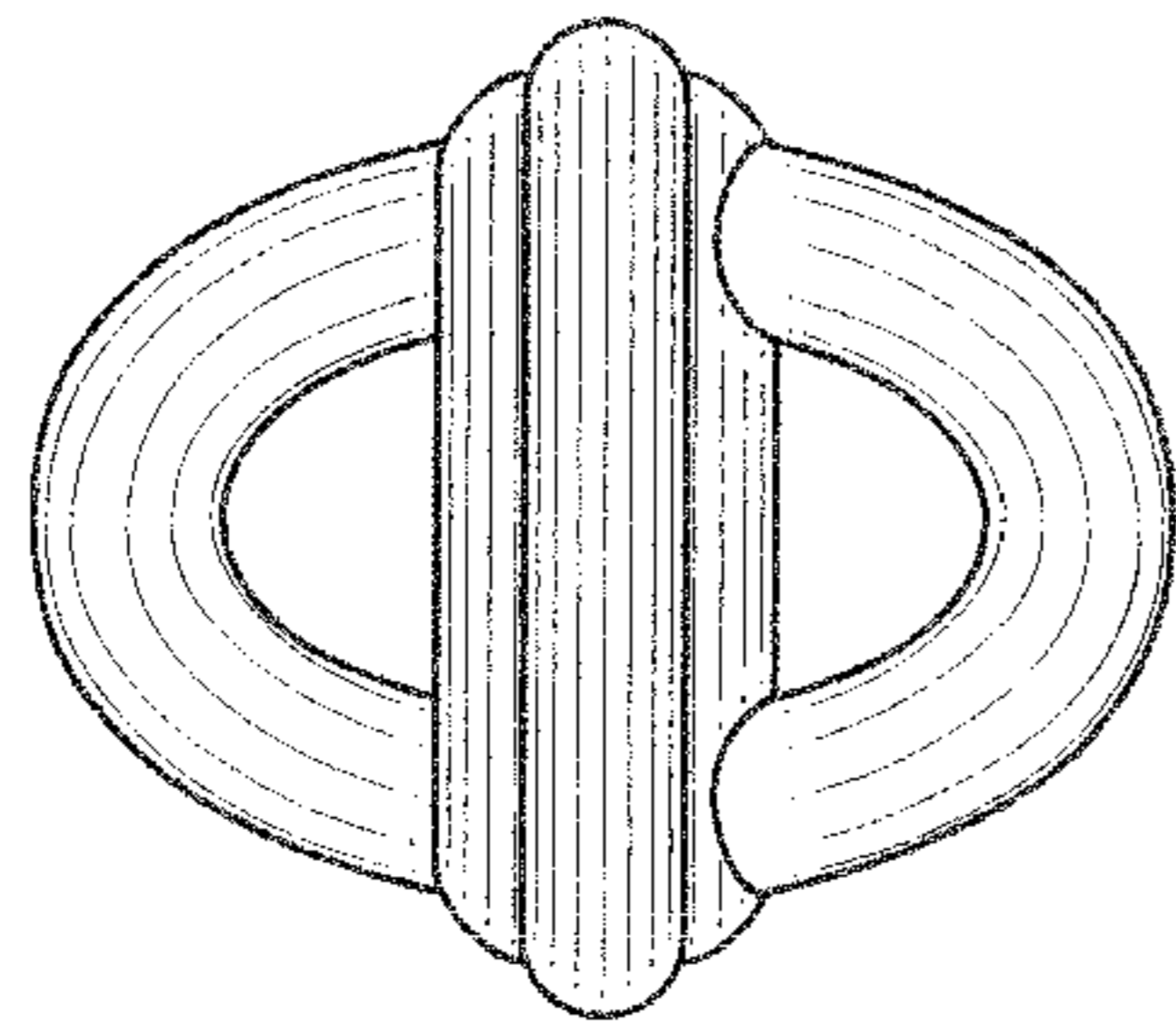


fig.3

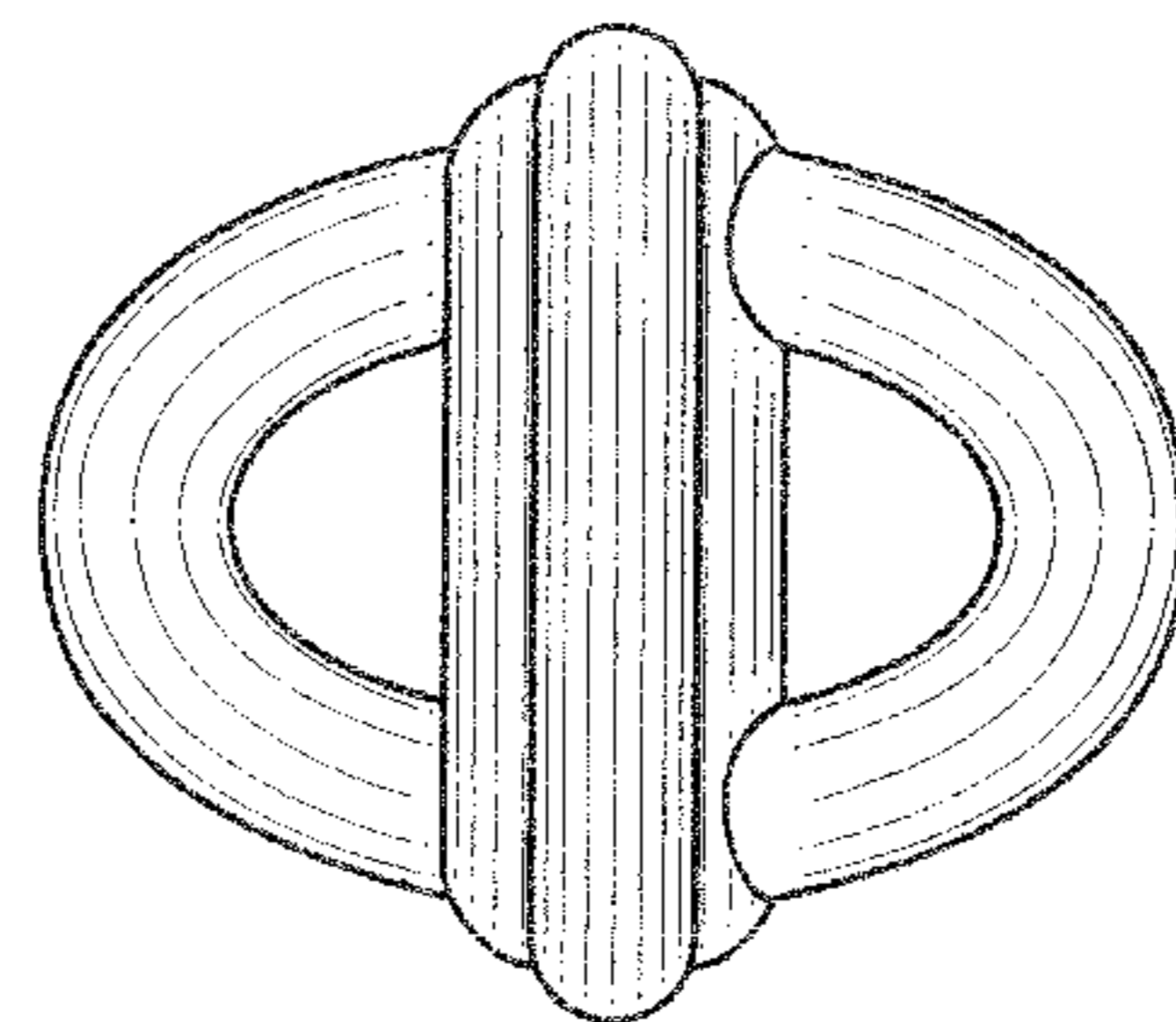


fig.4

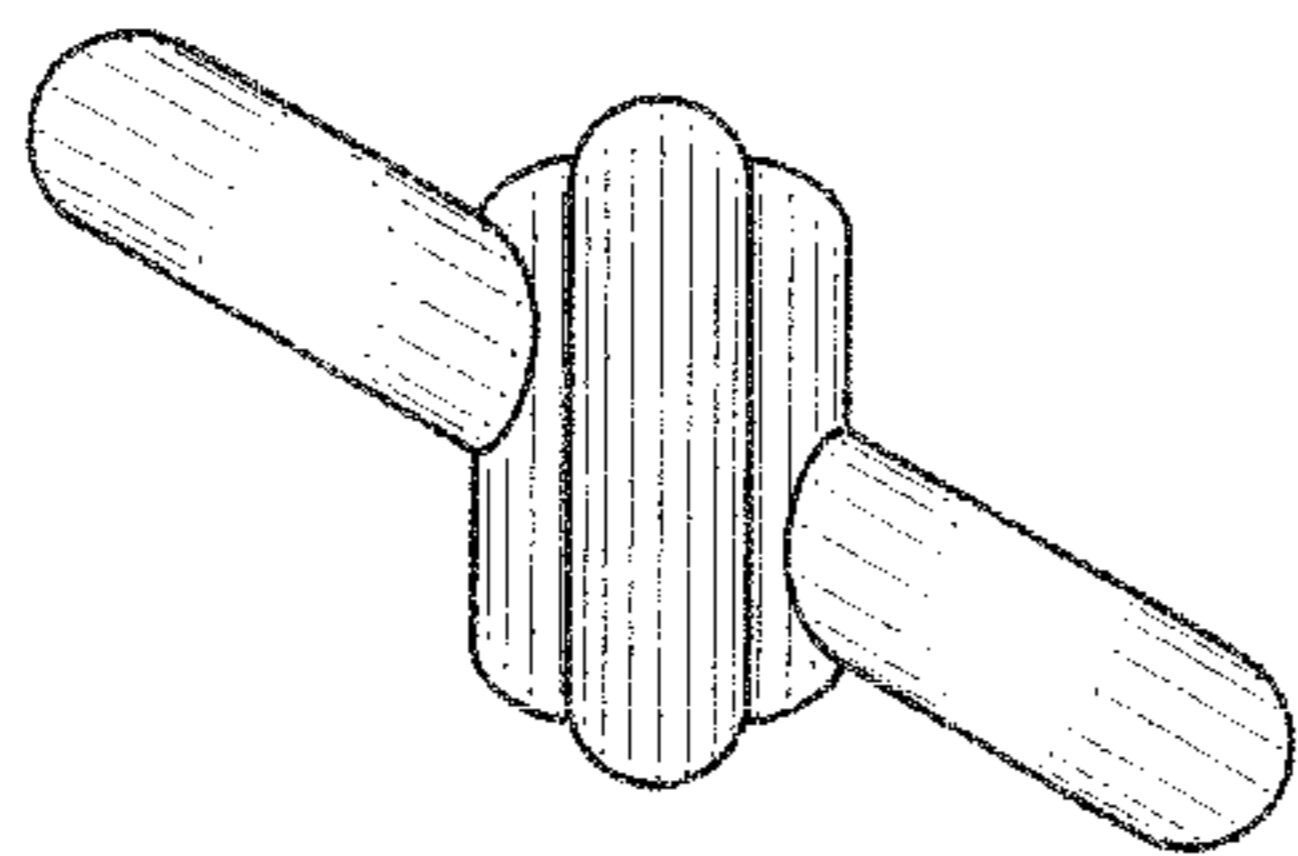


fig.5

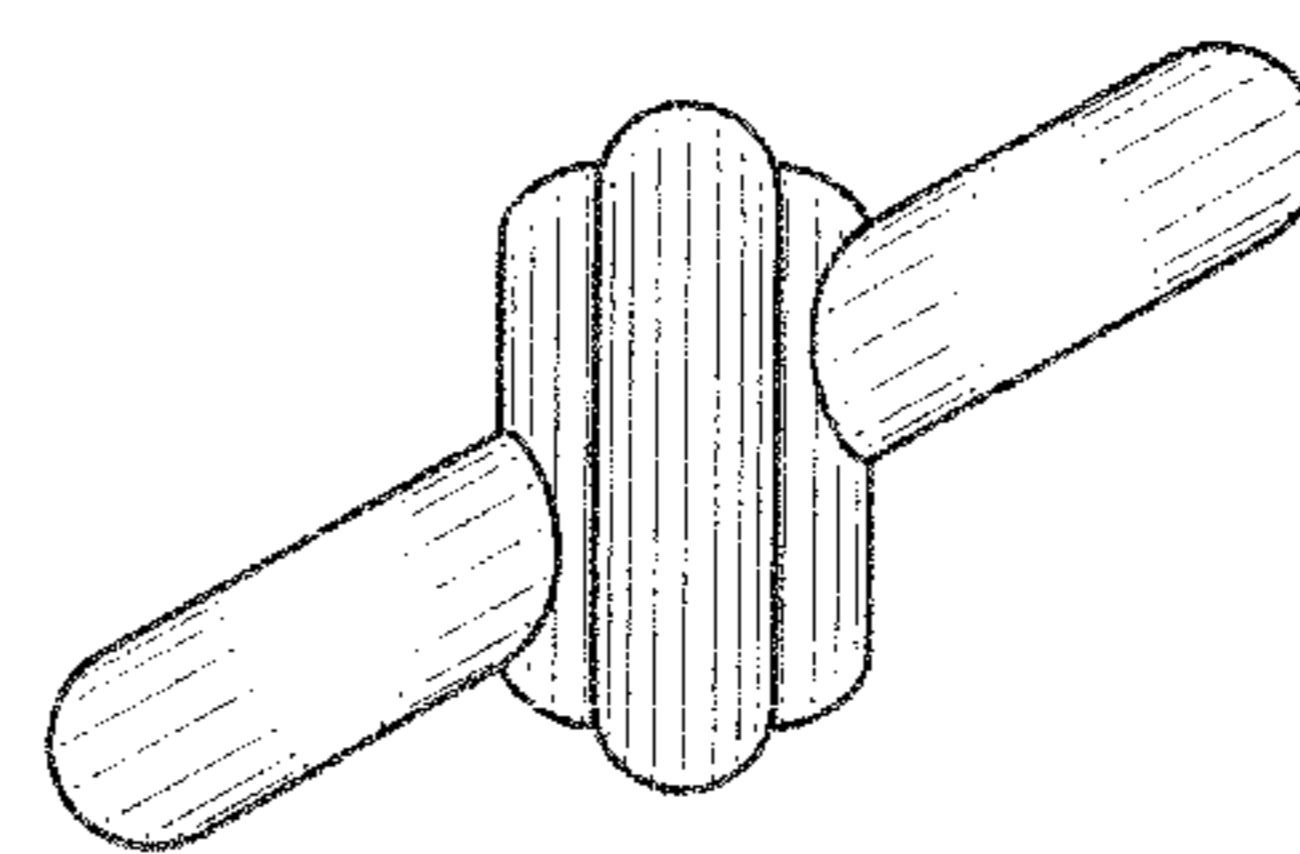


fig.6

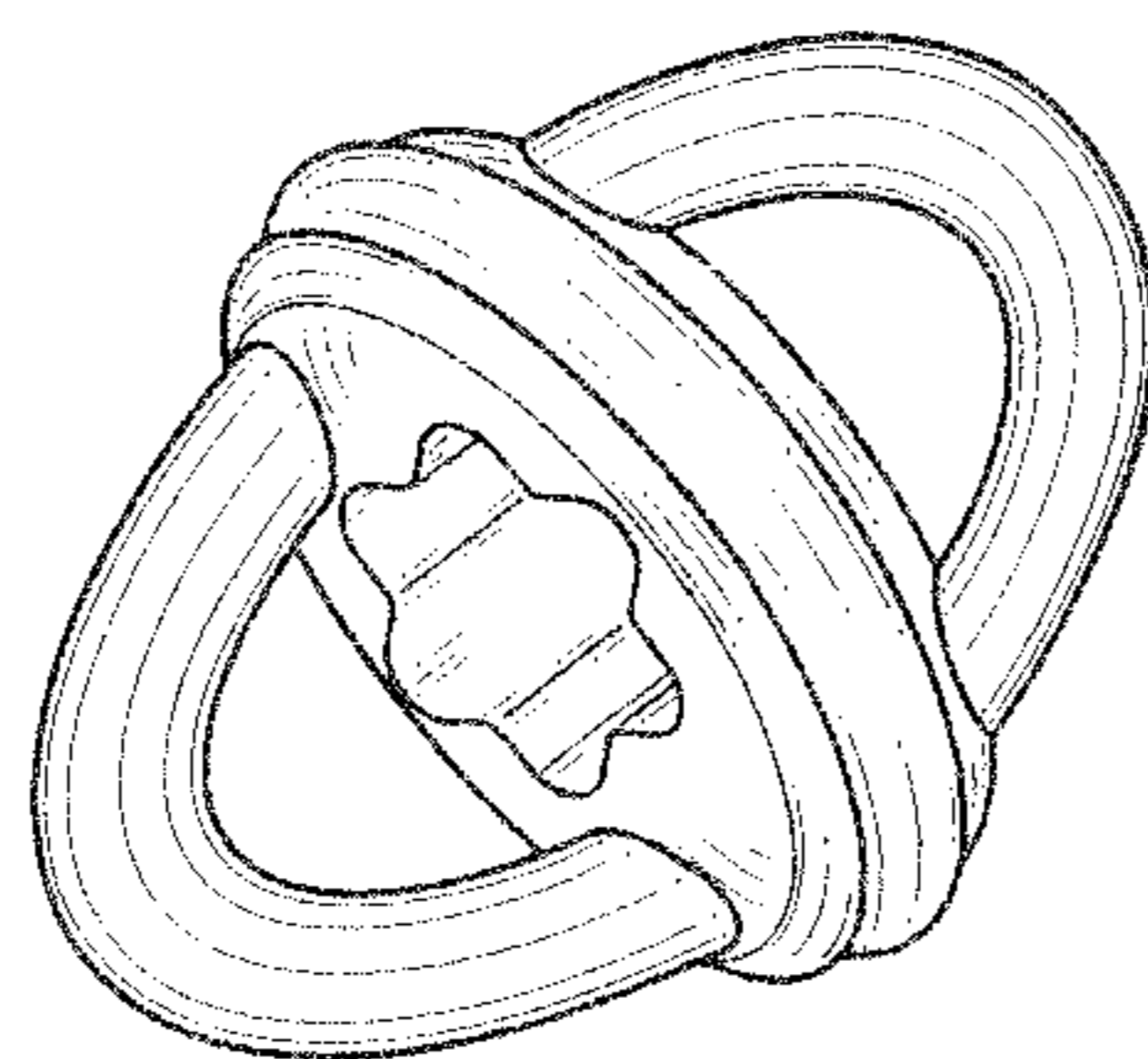


fig.7