



US00D592987S

(12) **United States Design Patent**  
**McGarity et al.**

(10) **Patent No.:** **US D592,987 S**

(45) **Date of Patent:** **\*\* May 26, 2009**

(54) **MONEY CLIP WITH REAR ATTACHMENT**

(75) Inventors: **Ronald M. McGarity**, Savannah, GA (US); **Mark McGarity**, Macon, GA (US)

(73) Assignee: **Geraghty, LLC**, Savannah, GA (US)

(\*\*) Term: **14 Years**

(21) Appl. No.: **29/310,618**

(22) Filed: **Aug. 29, 2008**

(51) **LOC (9) Cl.** ..... **11-01**

(52) **U.S. Cl.** ..... **D11/78.1**

(58) **Field of Classification Search** ..... D11/78.1, D11/215; D3/215, 247; 40/630, 633; D19/26; 244/222; D8/395; 24/60, 485  
See application file for complete search history.

(56) **References Cited**

**U.S. PATENT DOCUMENTS**

D239,147 S \* 3/1976 Karlsen ..... D11/215  
D273,821 S \* 5/1984 Bianchi ..... D3/215  
D295,501 S \* 5/1988 Brayford ..... D10/31

D349,398 S \* 8/1994 Ezzo ..... D3/208  
D363,453 S \* 10/1995 Herdt ..... D11/78.1  
D400,466 S \* 11/1998 Gleason ..... D11/78.1  
D552,008 S \* 10/2007 McGarity ..... D11/78.1

\* cited by examiner

*Primary Examiner*—R. Seifert

(74) *Attorney, Agent, or Firm*—Rodgers & Rodgers

(57) **CLAIM**

The ornamental design for a money clip with rear attachment, as shown and described.

**DESCRIPTION**

FIG. 1 is a perspective view of a money clip with rear attachment showing our new design;

FIG. 2 is a right-side elevational view thereof;

FIG. 3 is a left-side elevational view thereof;

FIG. 4 is a top plan view thereof, the bottom being the same in appearance; and,

FIG. 5 is a front elevational view thereof, the rear being the same in appearance.

**1 Claim, 2 Drawing Sheets**

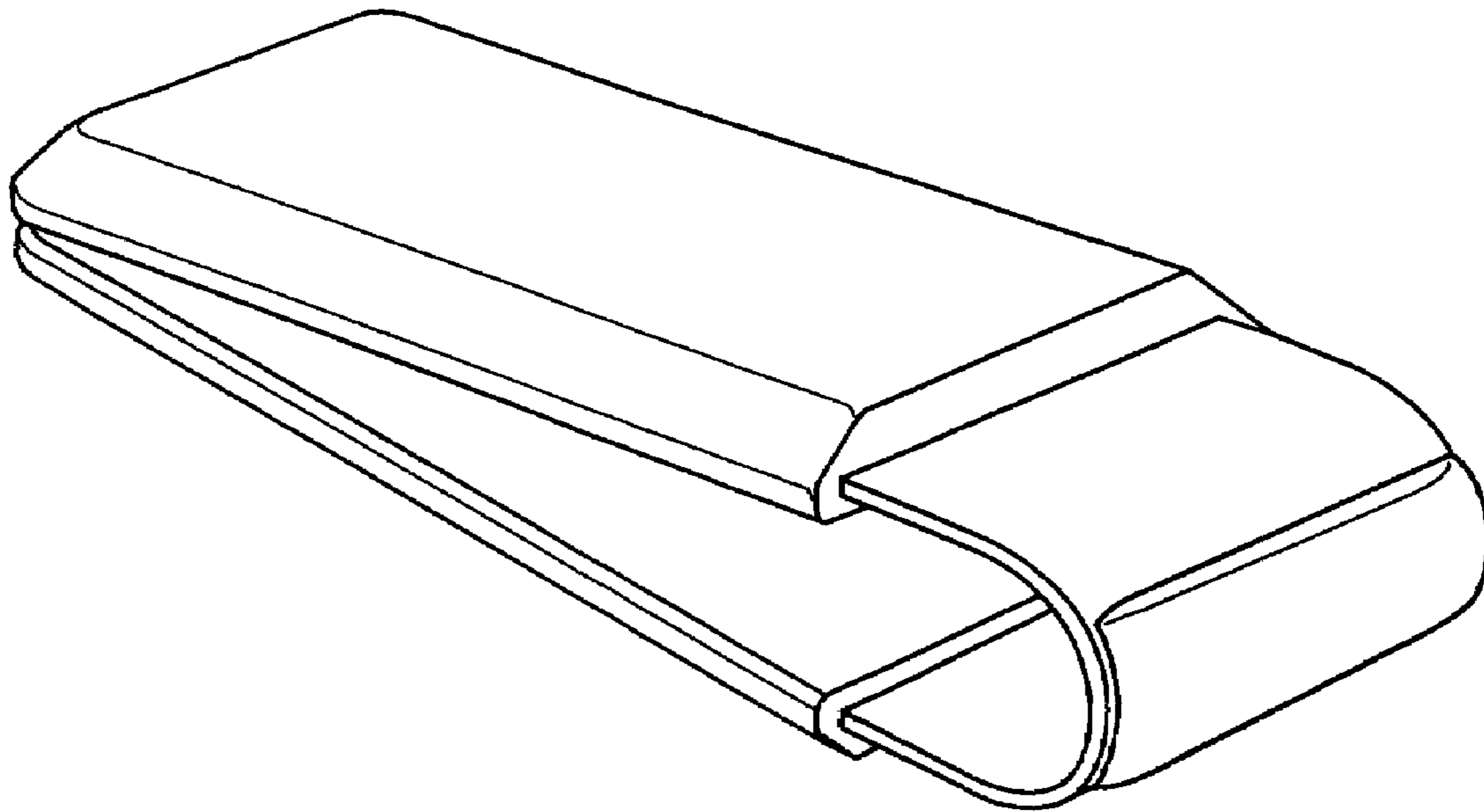


Fig.1

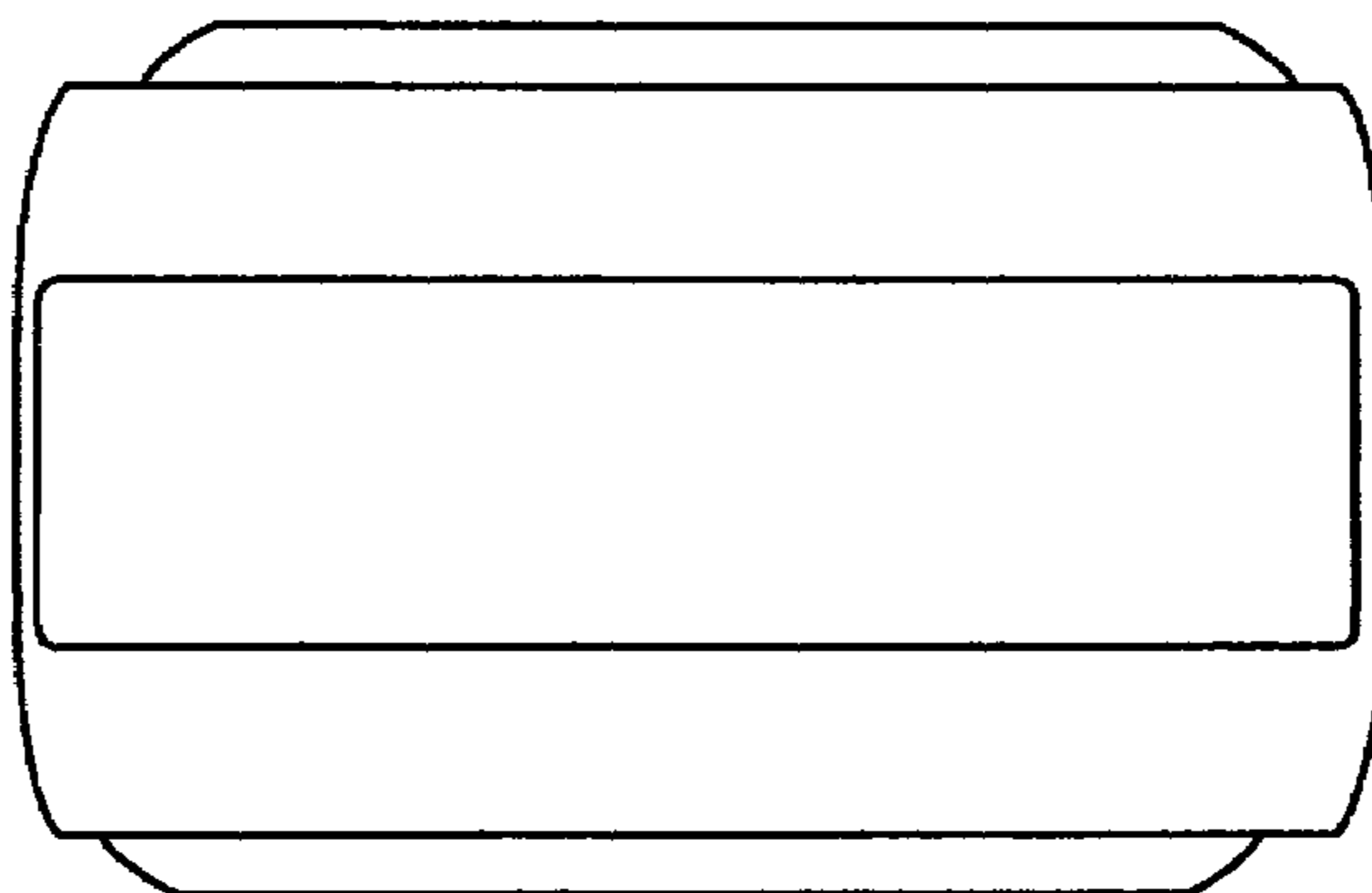
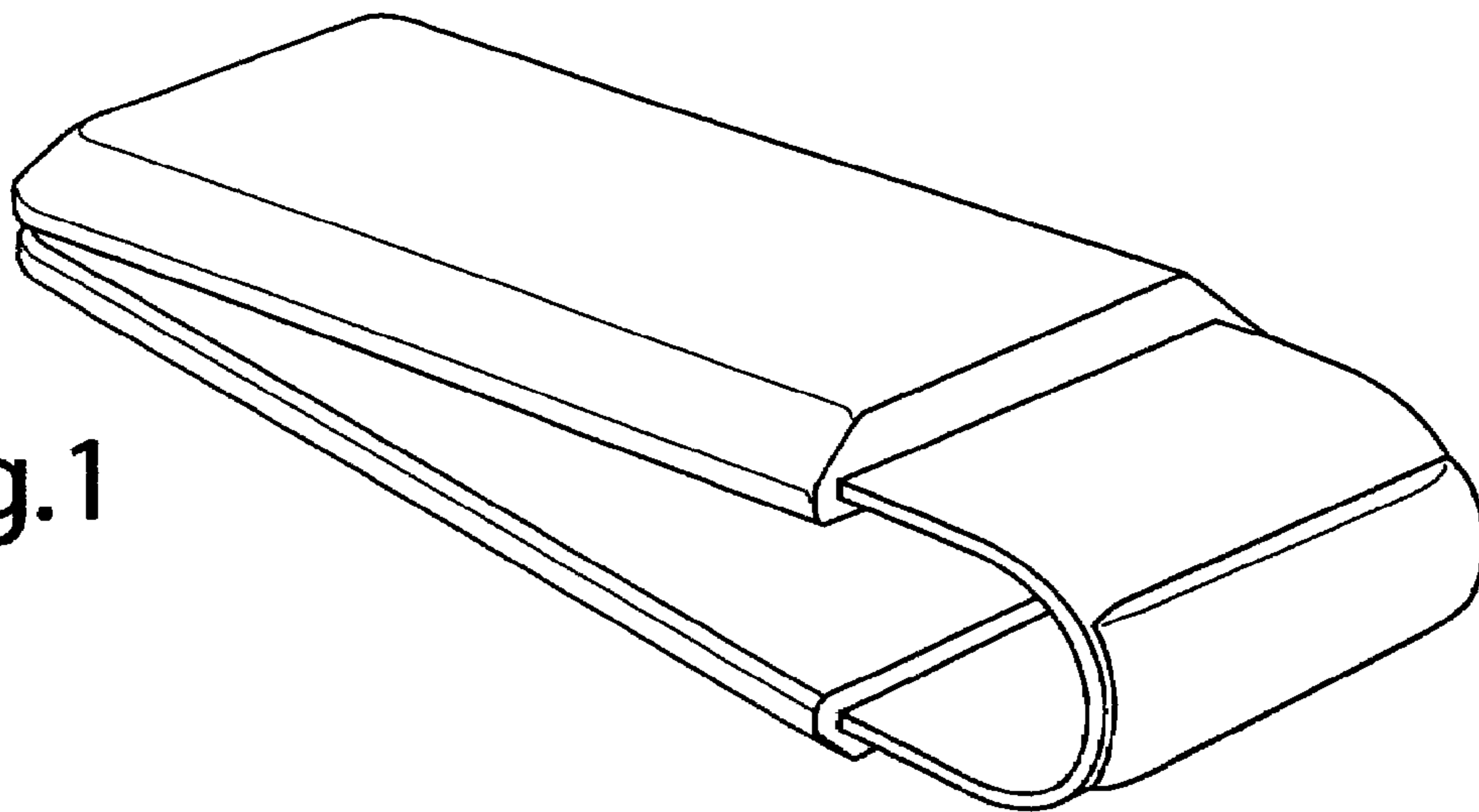
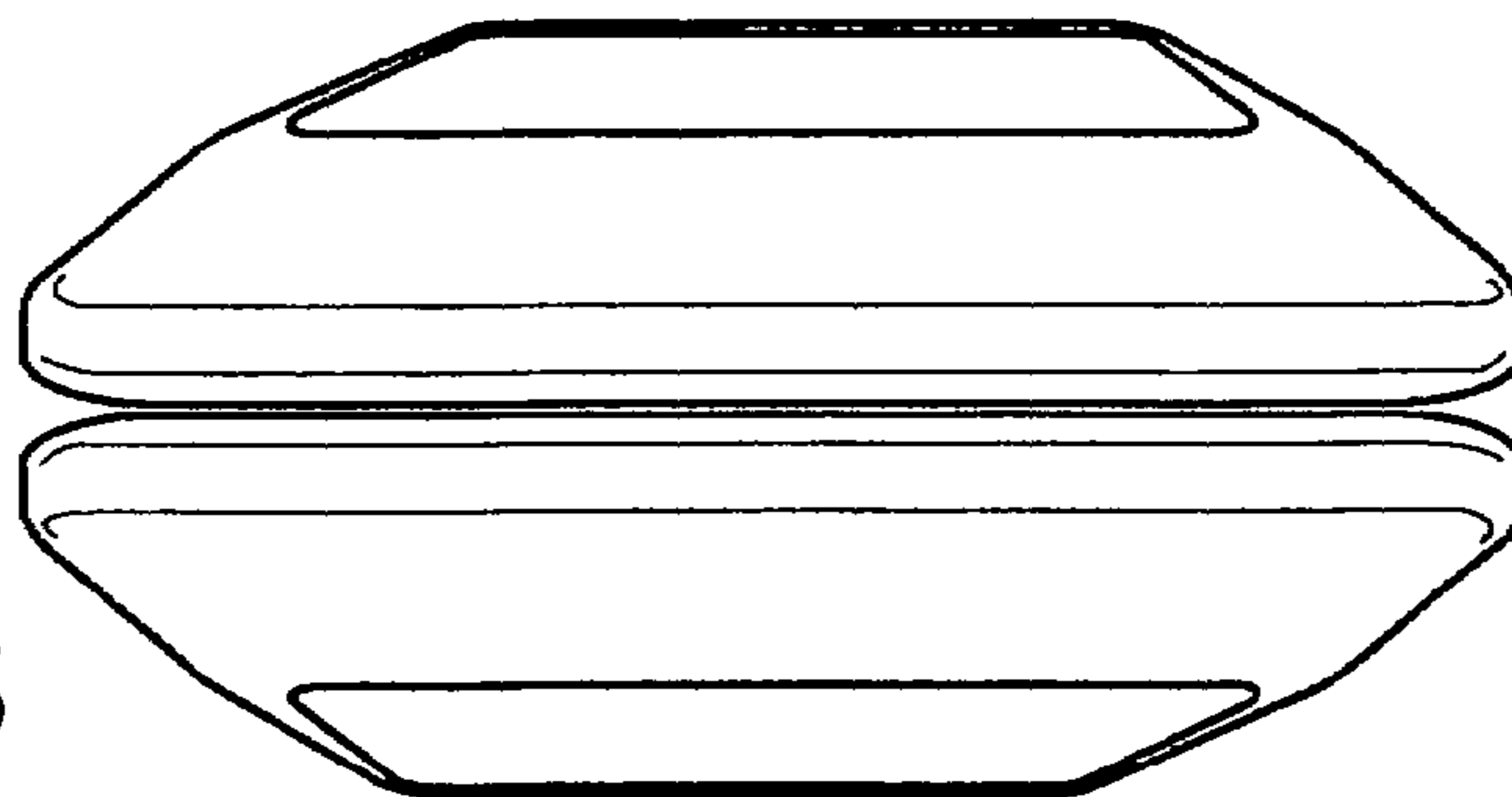


Fig.2

Fig.3



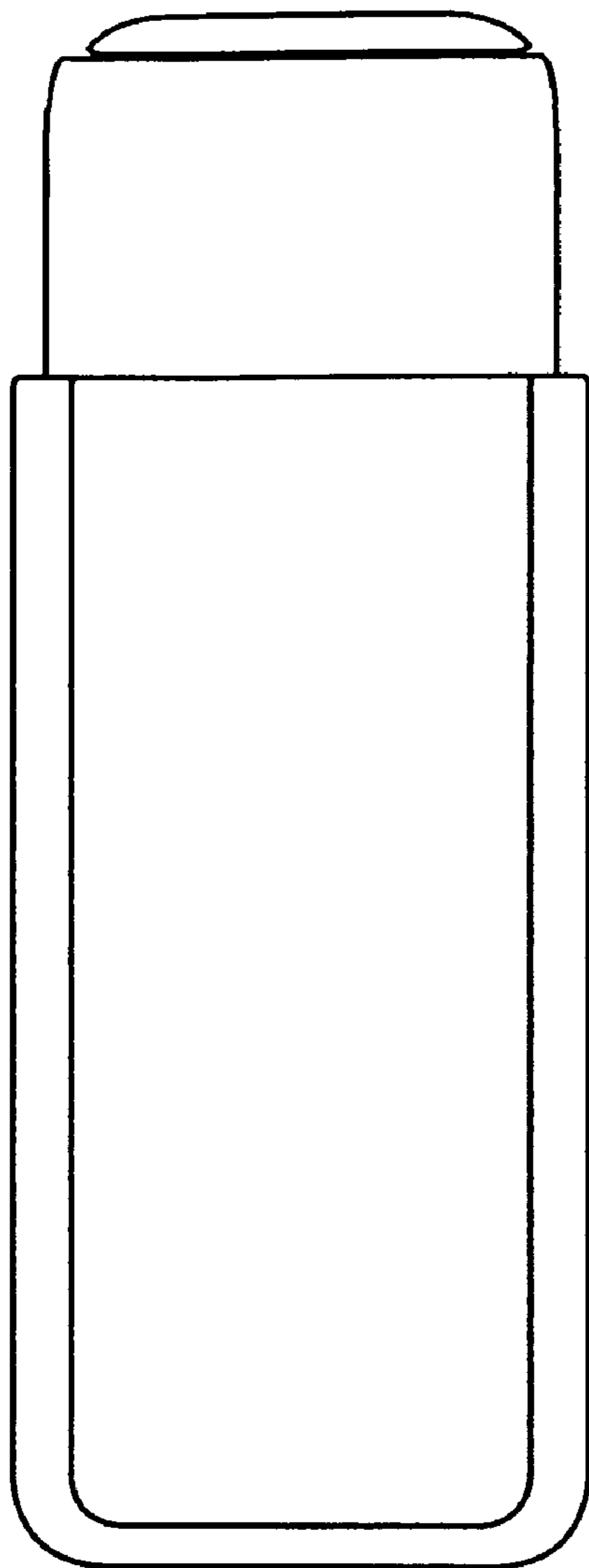


Fig.4



Fig.5