



US00D592984S

(12) **United States Design Patent**  
**Littrell et al.**

(10) **Patent No.:** **US D592,984 S**

(45) **Date of Patent:** **\*\* May 26, 2009**

(54) **TAMPER-EVIDENT SECURING DEVICE**

2006/0117816 A1\* 6/2006 Lee ..... 70/58

(75) Inventors: **Paul A. Littrell**, Fort Wayne, IN (US);  
**Wanda K. Beard**, Angola, IN (US);  
**David L. Gilbert**, Fort Wayne, IN (US)

\* cited by examiner

*Primary Examiner*—Caron Veynar  
*Assistant Examiner*—George D Kirschbaum

(73) Assignee: **Brammall, Inc.**, Angola, IN (US)

(74) *Attorney, Agent, or Firm*—Van Dyke, Gardner, Linn & Burkhardt LLP

(\*\*) Term: **14 Years**

(57) **CLAIM**

(21) Appl. No.: **29/284,213**

The ornamental design for a tamper-evident securing device, as shown and described.

(22) Filed: **Sep. 4, 2007**

**DESCRIPTION**

(51) **LOC (9) Cl.** ..... **10-05**

(52) **U.S. Cl.** ..... **D10/106**

(58) **Field of Classification Search** ..... D10/104,  
D10/106; 340/572.1, 571.2, 571.8, 571.9;  
70/18, 202, 209, 58; D8/331, 333, 334  
See application file for complete search history.

FIG. 1 is a perspective illustration of an embodiment of the tamper-evident securing device according to our design, the perspective being from the top rear end of the securing device; FIG. 2 is a perspective illustration thereof, the perspective being from the bottom front end of the securing device; FIG. 3 is a left side view thereof, the right side view being a mirror image thereof;

(56) **References Cited**

**U.S. PATENT DOCUMENTS**

4,057,982	A *	11/1977	Drayton	70/14
6,199,413	B1 *	3/2001	McDaid et al.	70/58
D498,131	S *	11/2004	Peacock et al.	D8/331
7,073,358	B1 *	7/2006	Lee	70/58
D537,317	S *	2/2007	Jackson, Jr.	D8/300
D548,041	S *	8/2007	Littrell et al.	D8/331
D557,105	S *	12/2007	Lu et al.	D8/331
D563,765	S *	3/2008	Littrell et al.	D8/331
D564,338	S *	3/2008	Lu	D8/331
D568,716	S *	5/2008	Littrell et al.	D8/331

FIG. 4 is a bottom plan view thereof;

FIG. 5 is a top plan view thereof;

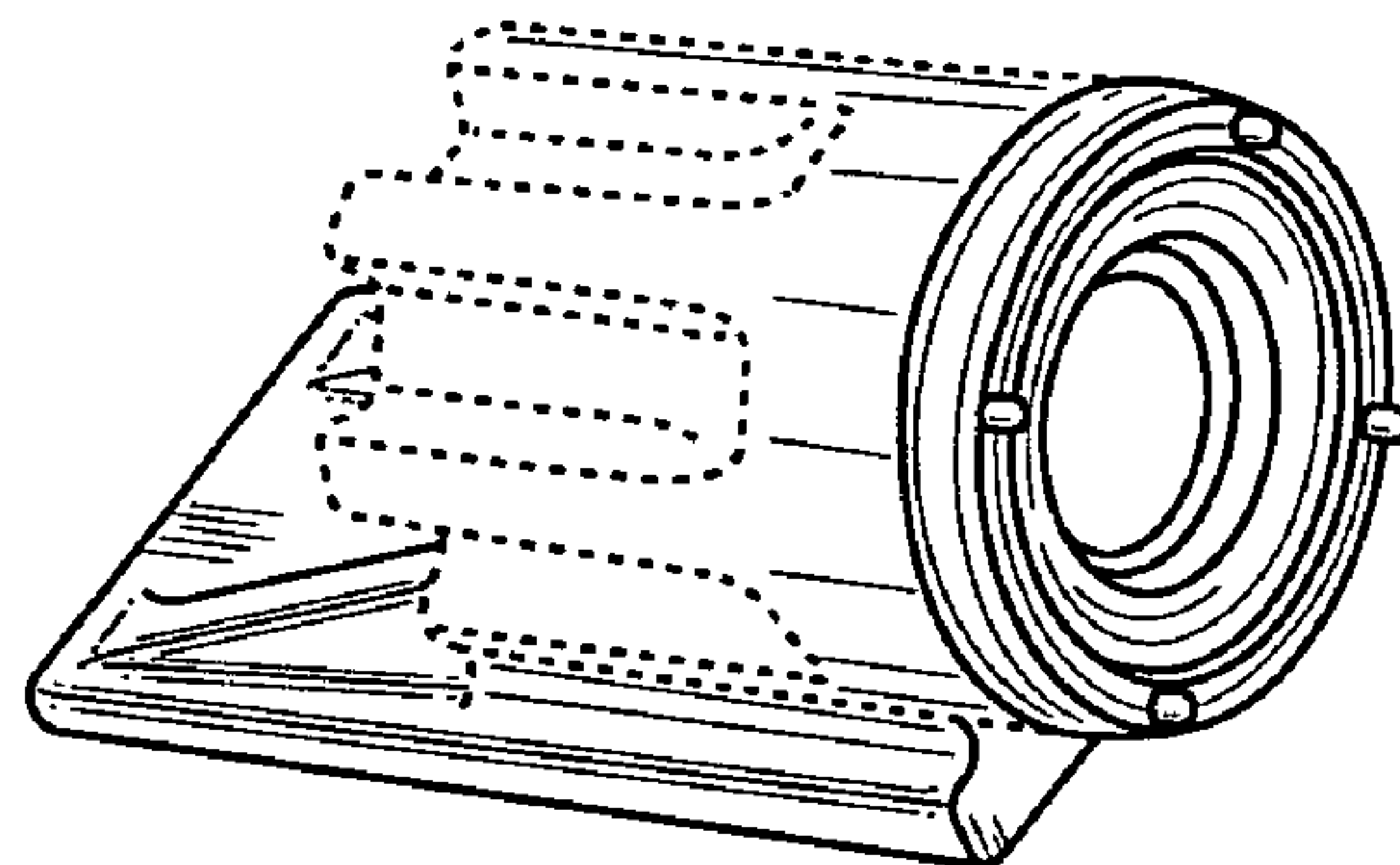
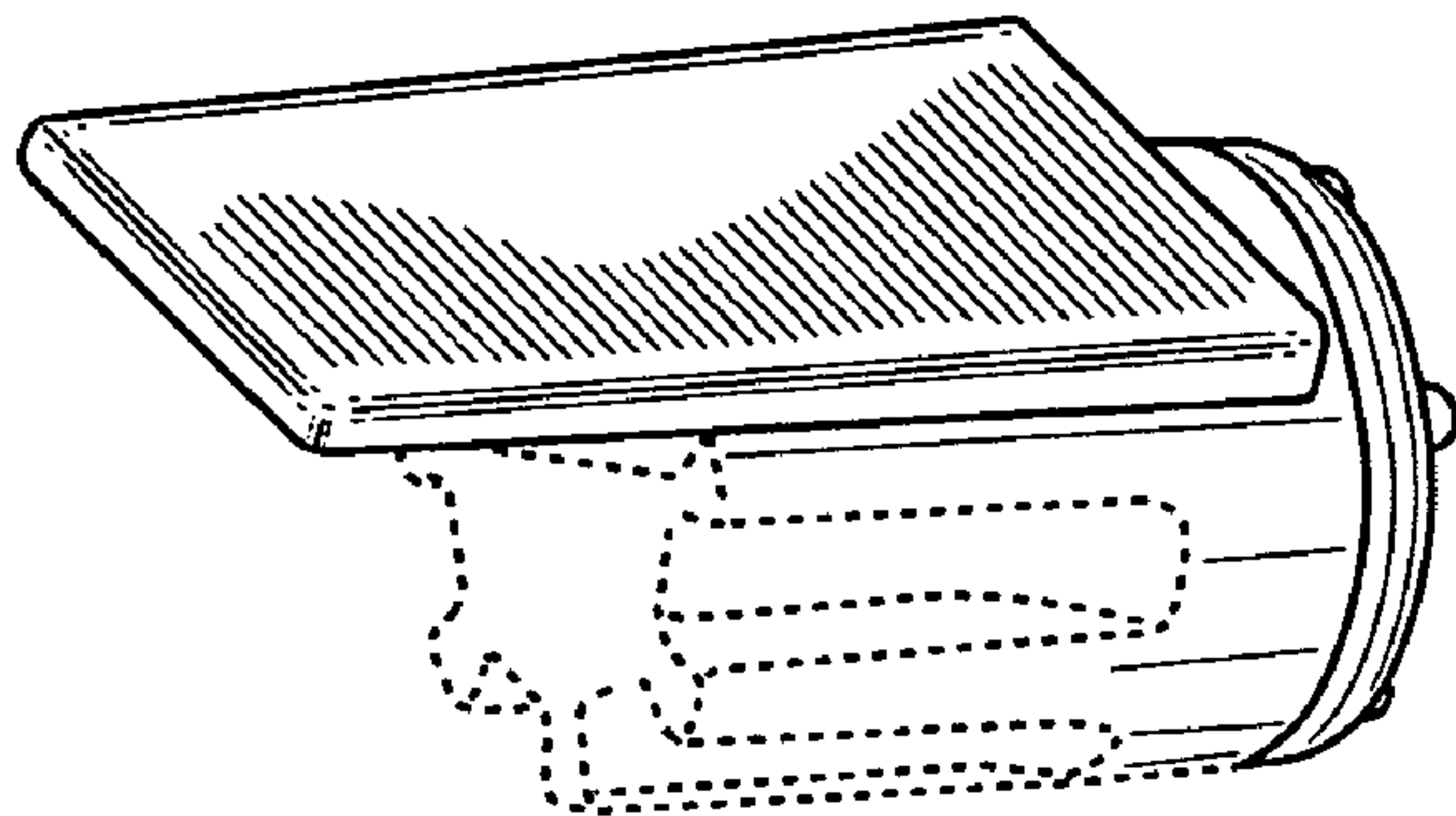
FIG. 6 is a front end view thereof;

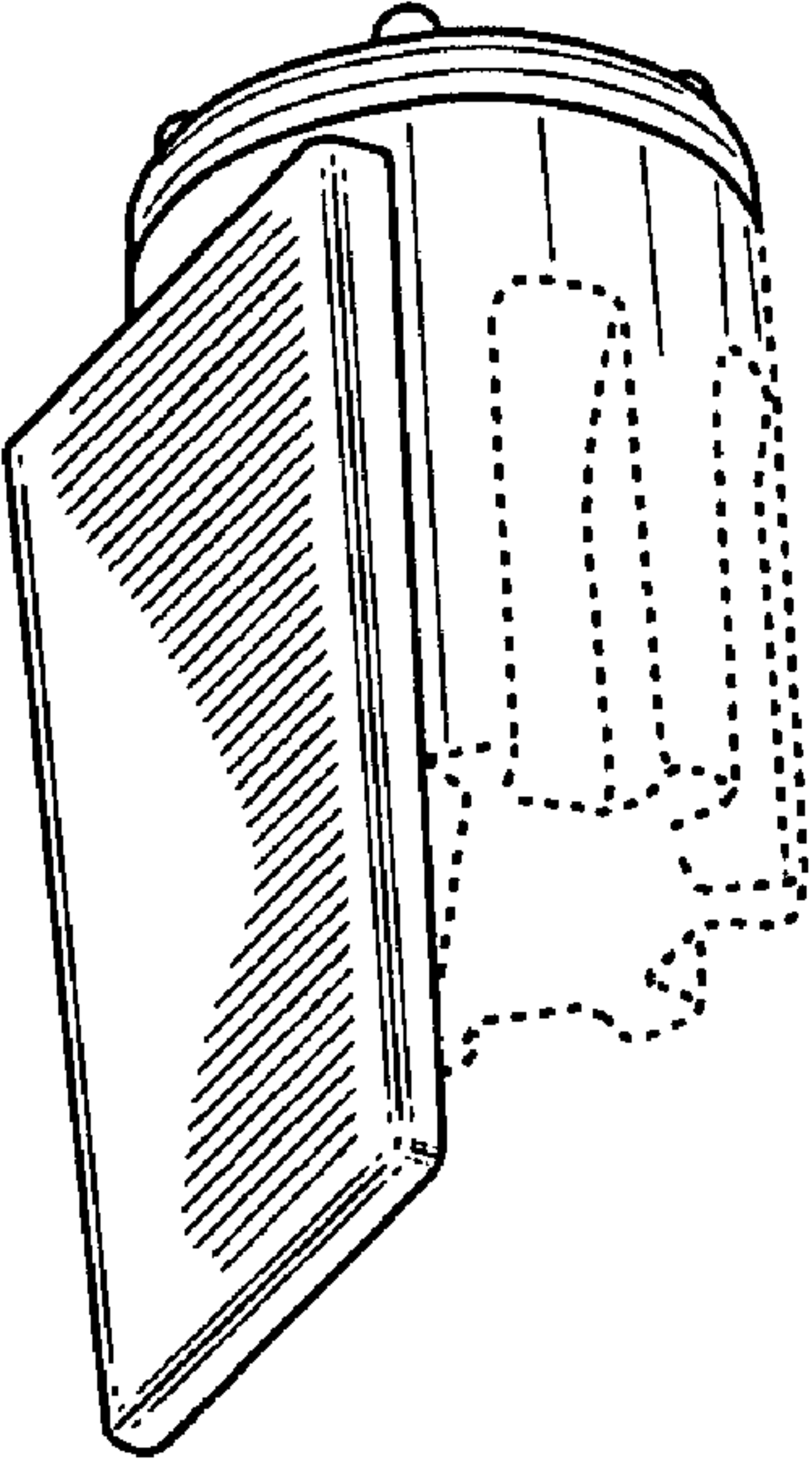
FIG. 7 is a rear end view thereof; and,

FIG. 8 is a perspective illustration thereof showing an environment of use of the tamper-evident securing device, the perspective being from the bottom front end of the securing device.

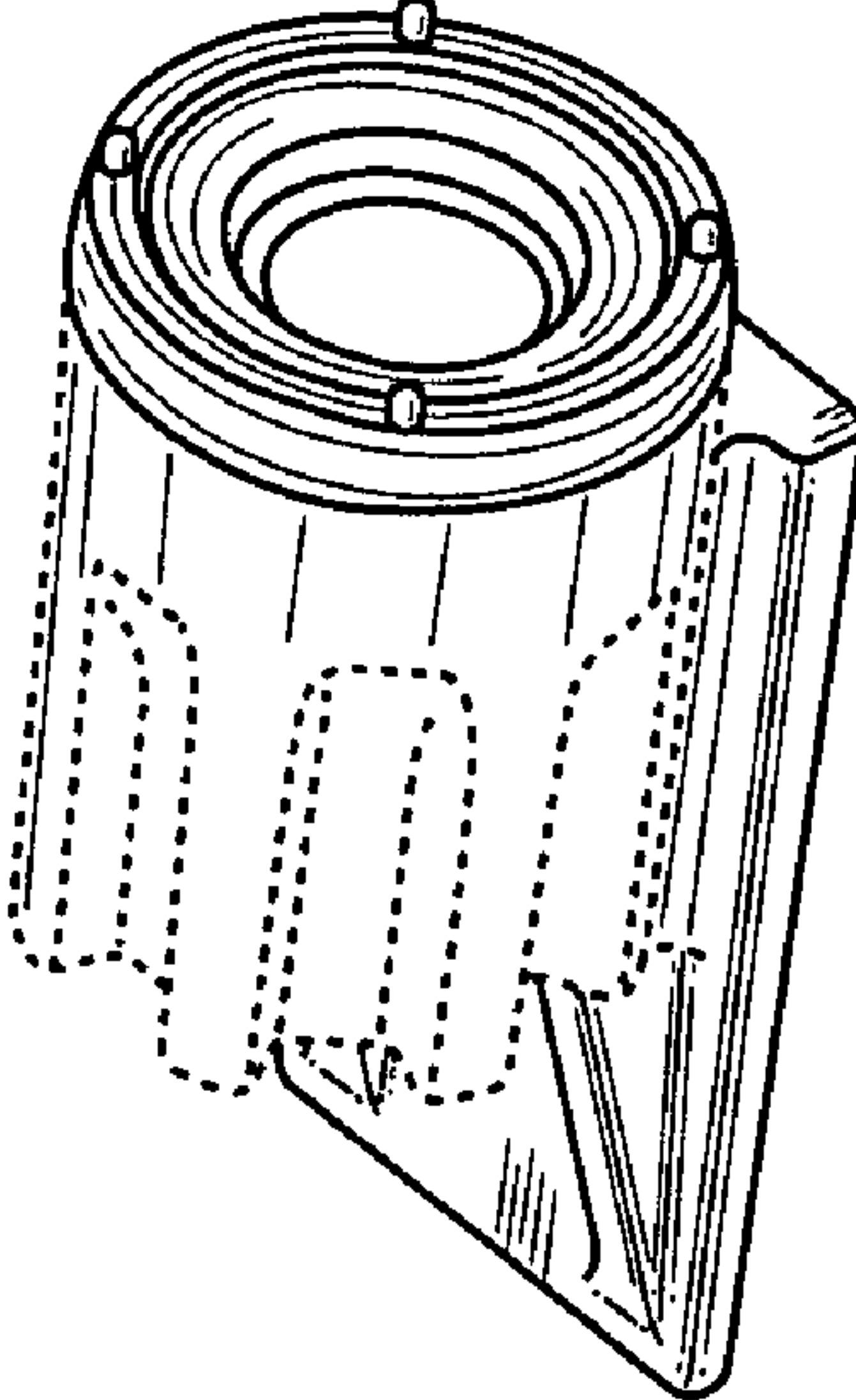
The broken lines depict unclaimed environmental subject matter.

**1 Claim, 4 Drawing Sheets**

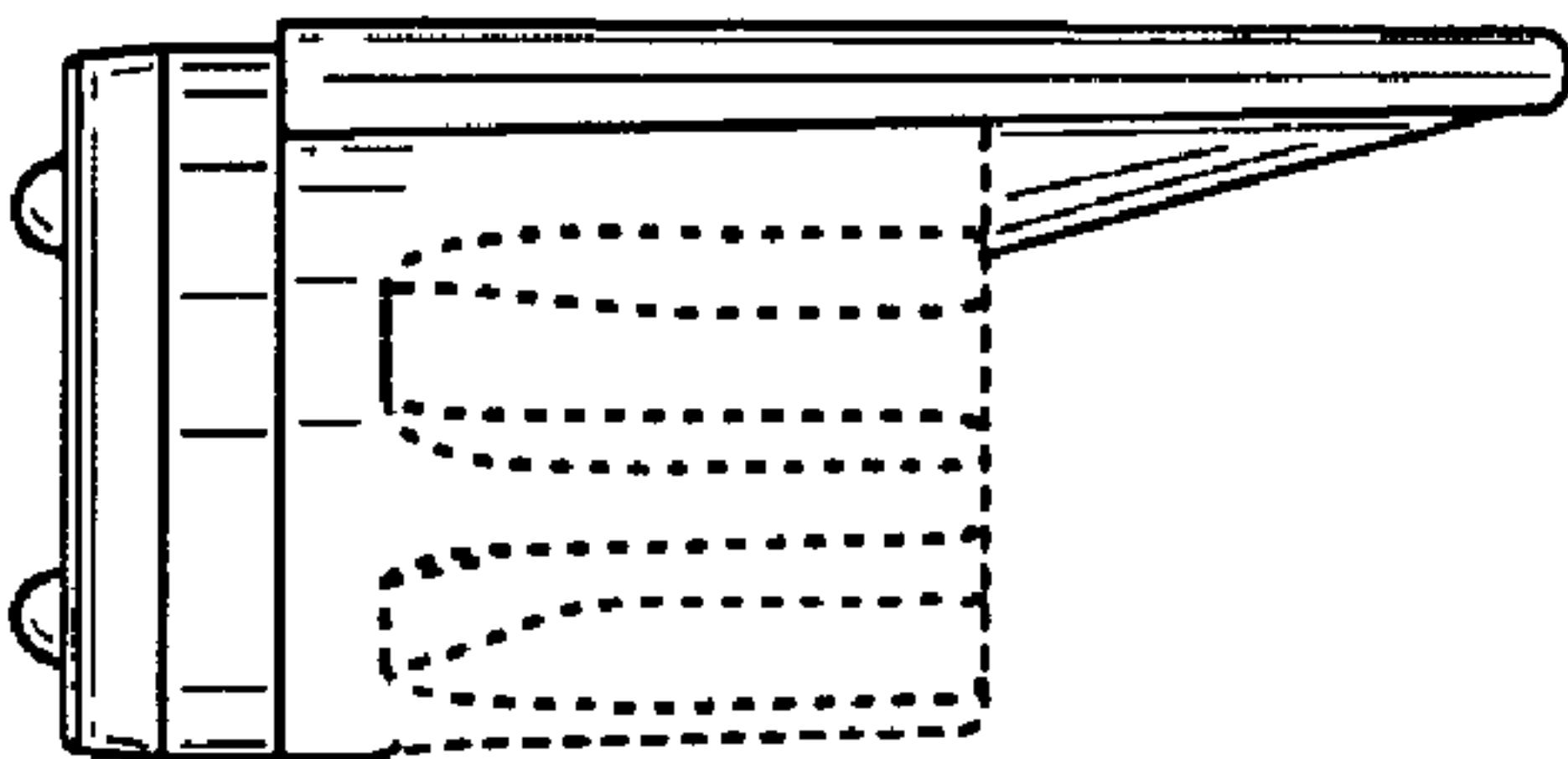




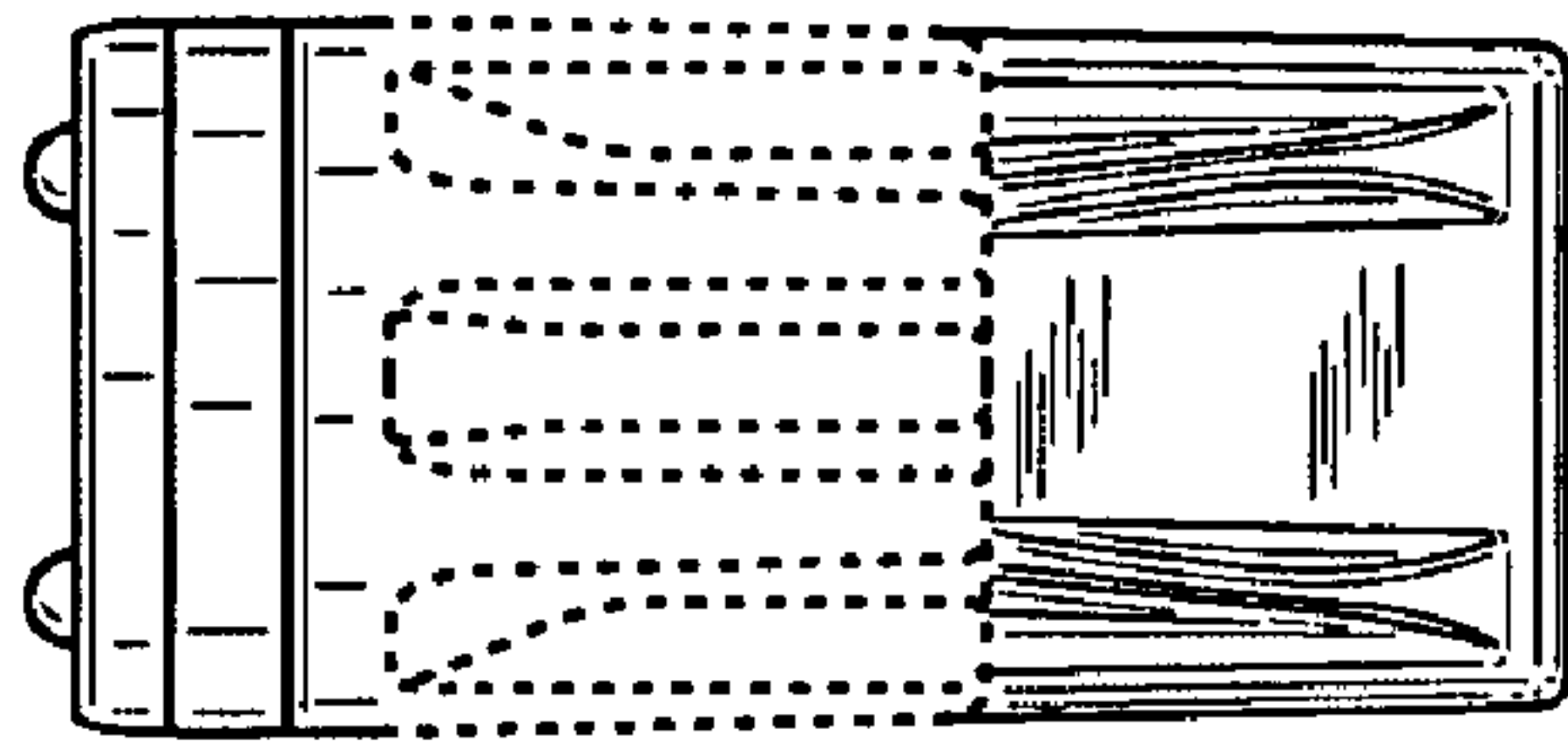
**FIG. 1**



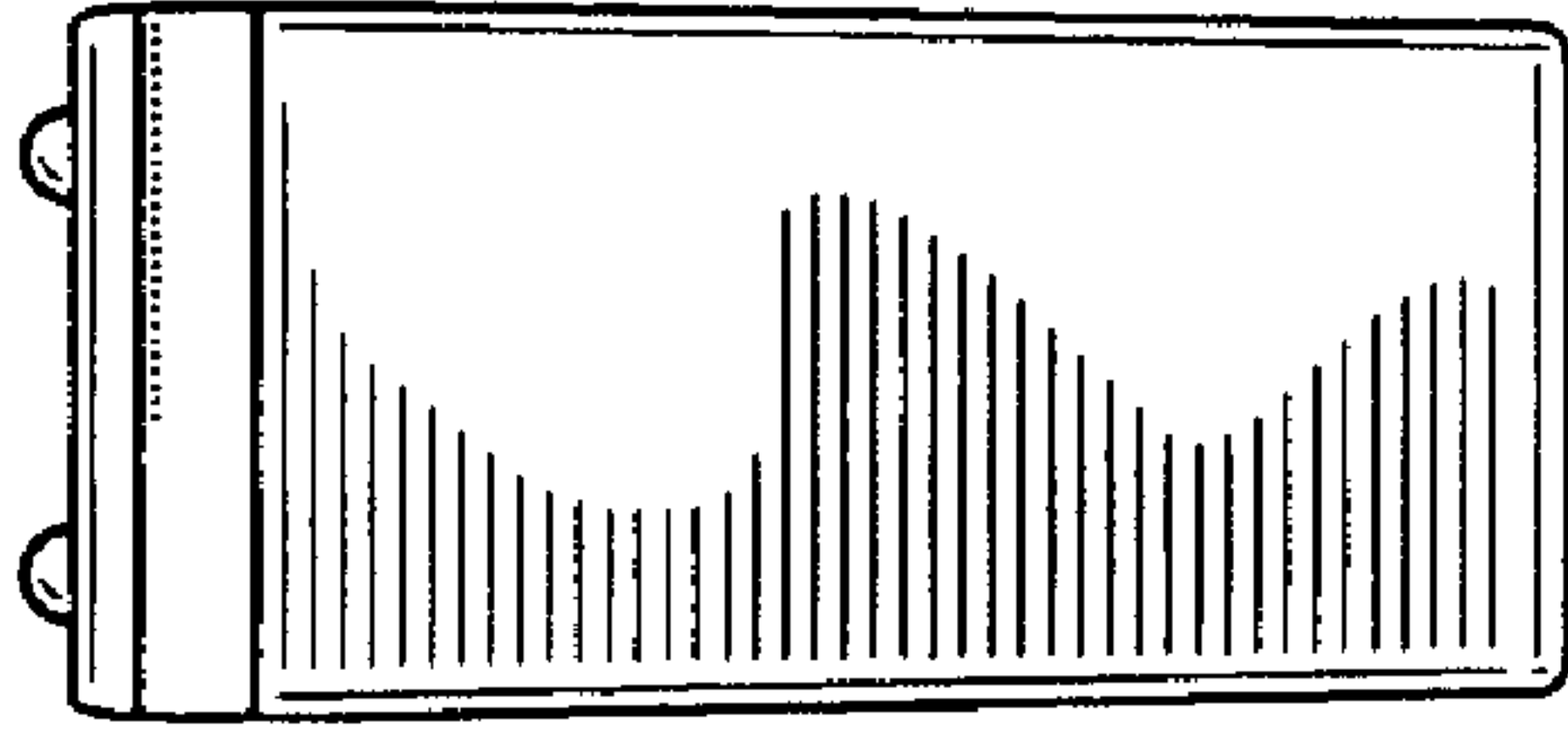
**FIG. 2**



**FIG. 3**



**FIG. 4**



**FIG. 5**

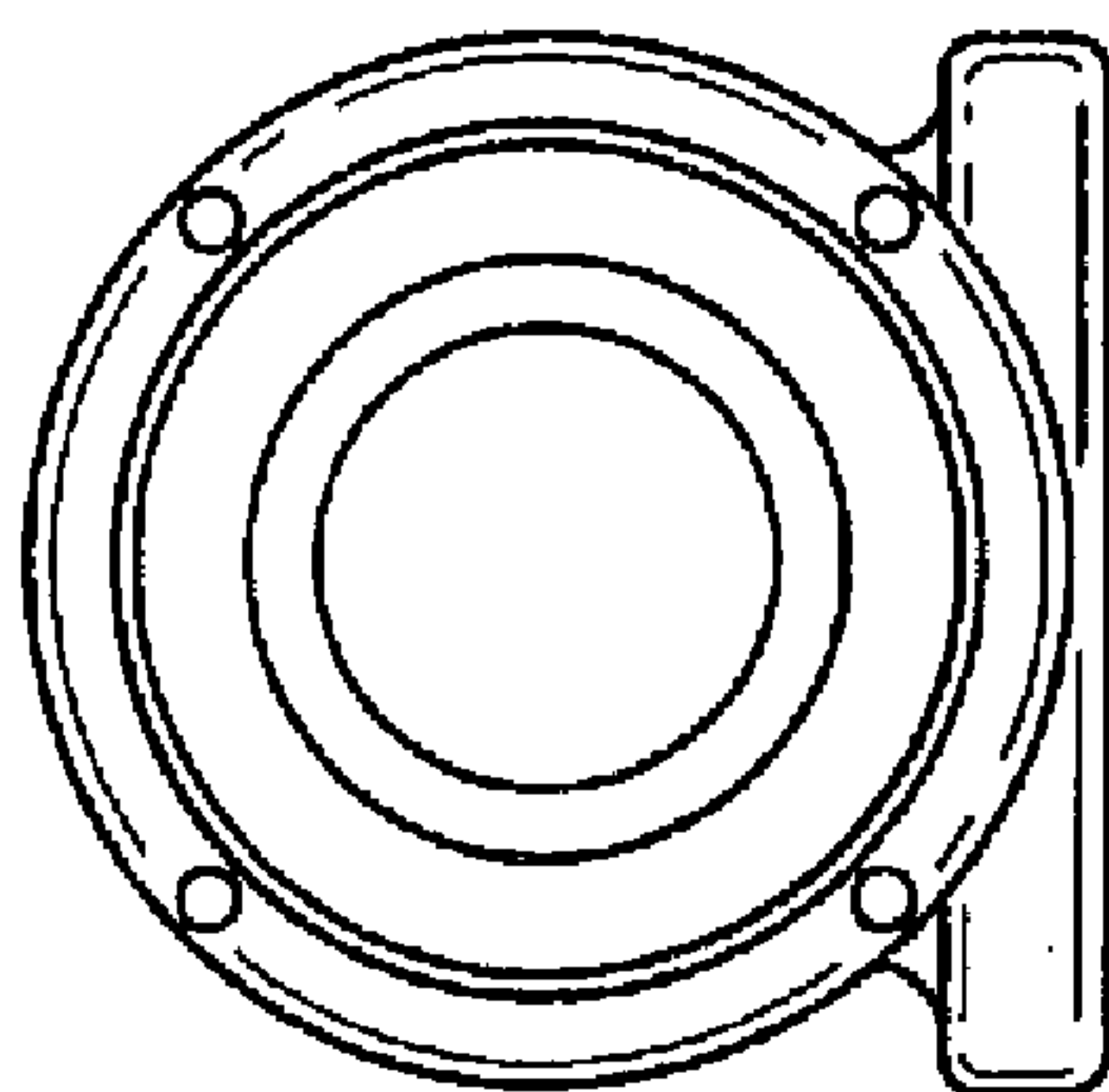


FIG. 6

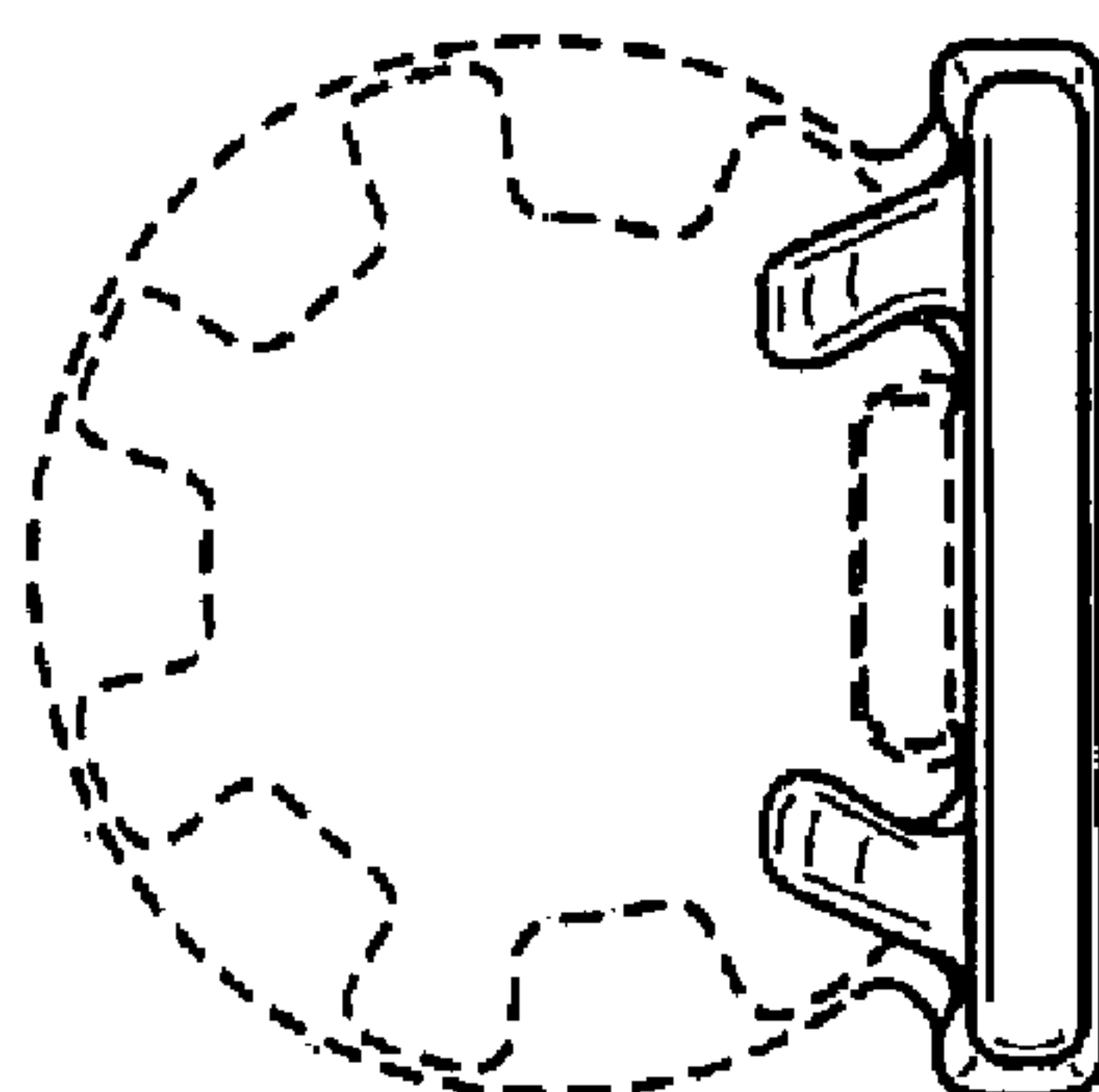
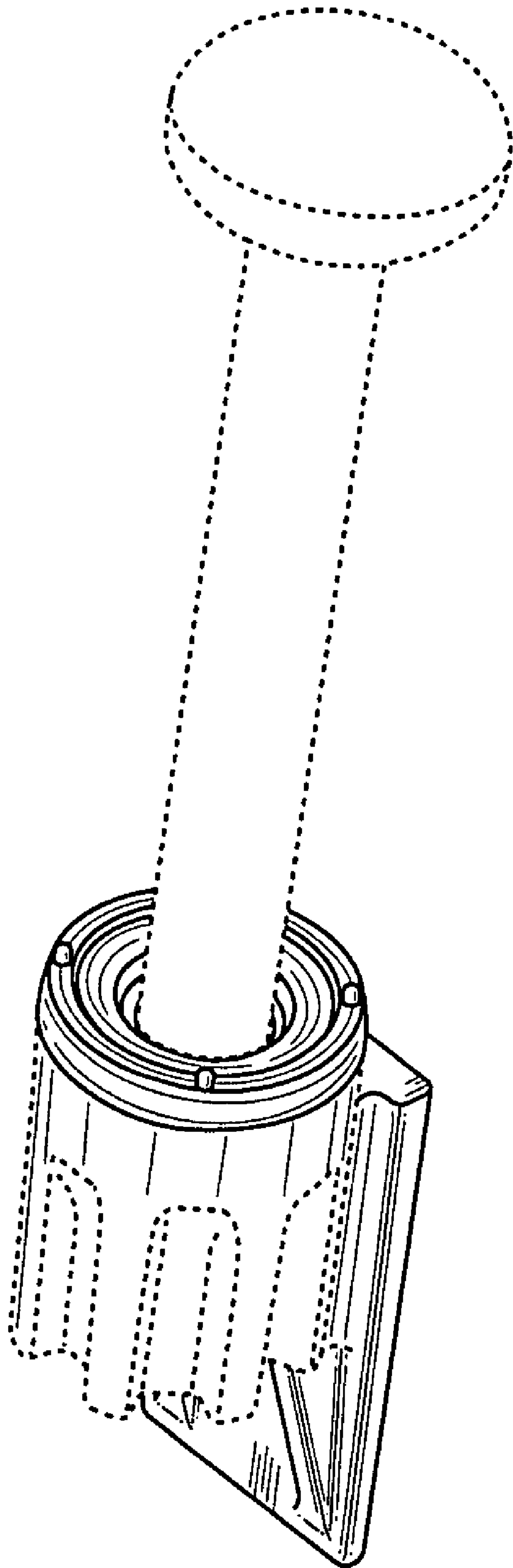


FIG. 7



**FIG. 8**

UNITED STATES PATENT AND TRADEMARK OFFICE  
**CERTIFICATE OF CORRECTION**

PATENT NO. : Des. 592,984 S  
APPLICATION NO. : 29/284213  
DATED : May 26, 2009  
INVENTOR(S) : Paul A. Littrell, Wanda K. Beard and David L. Gilbert

Page 1 of 1

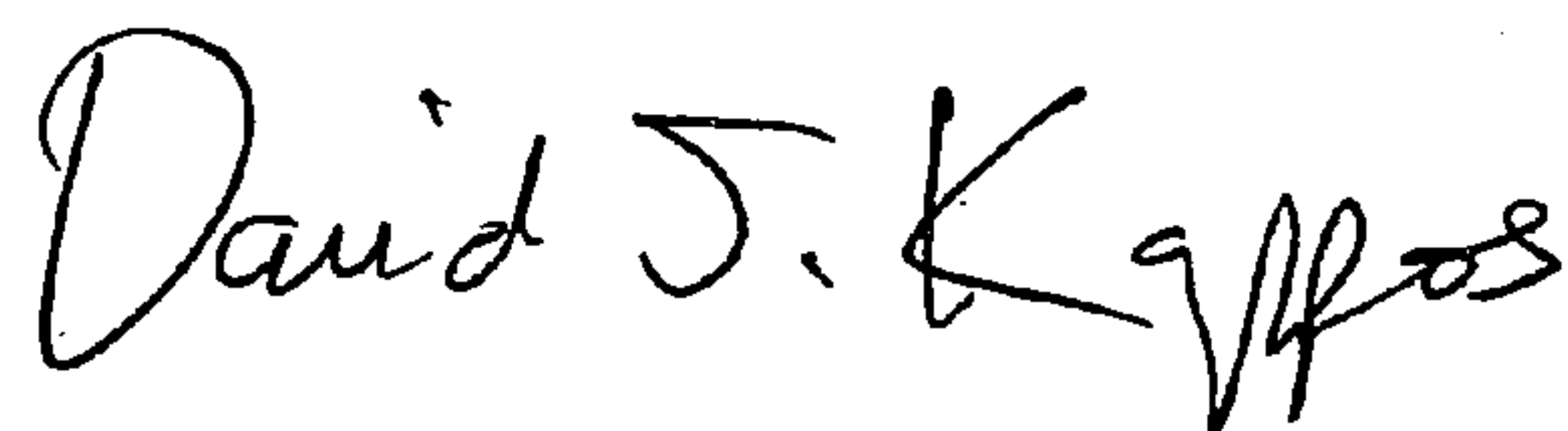
It is certified that error appears in the above-identified patent and that said Letters Patent is hereby corrected as shown below:

TITLE PAGE, COL. 2, UNDER CLAIM DESCRIPTION:

Line 16, "environmental" should be --environment--.

Signed and Sealed this

Twenty-third Day of February, 2010

A handwritten signature in black ink that reads "David J. Kappos". The signature is written in a cursive style with a large initial 'D' and 'K'.

David J. Kappos  
*Director of the United States Patent and Trademark Office*