



US00D592982S

(12) **United States Design Patent**
Burt et al.

(10) **Patent No.:** **US D592,982 S**

(45) **Date of Patent:** **** May 26, 2009**

(54) **THERMOSTAT**

D566,597 S * 4/2008 Schneor D10/49

(75) Inventors: **Robert Burt**, Columbus, OH (US); **John Hesch, Jr.**, Orient, OH (US)

* cited by examiner

Primary Examiner—Antoine D Davis

(73) Assignee: **Ranco Incorporated of Delaware**,
Carol Stream, IL (US)

(74) *Attorney, Agent, or Firm*—Reinhart Boerner Van Deuren
P.C.

(**) Term: **14 Years**

(57) **CLAIM**

(21) Appl. No.: **29/323,126**

I claim the ornamental design for the thermostat, as shown
and described.

(22) Filed: **Aug. 19, 2008**

DESCRIPTION

(51) **LOC (9) Cl.** **10-04**

FIG. 1 is a top, front, right side isometric view of a thermostat
showing our new design;

(52) **U.S. Cl.** **D10/50**

(58) **Field of Classification Search** D10/49–50;
236/5, 46 R–46 F, 47, 49.3, 51, 84, 94; 340/7.21–7.24,
340/7.32, 825.6, 825.72, 539.1, 539.14, 539.21,
340/539.26, 426.21, 584.589, 870.17; 374/167;
400/485; 455/420, 226.1

FIG. 2 is a front view thereof;

FIG. 3 is a back view thereof;

FIG. 4 is a left side view thereof;

FIG. 5 is a right side view thereof;

FIG. 6 is a top view thereof; and,

FIG. 7 is a bottom view thereof.

See application file for complete search history.

The broken line showing of structural features is included for
the purpose of illustrating non claimed subject matter and
forms no part of the claimed design.

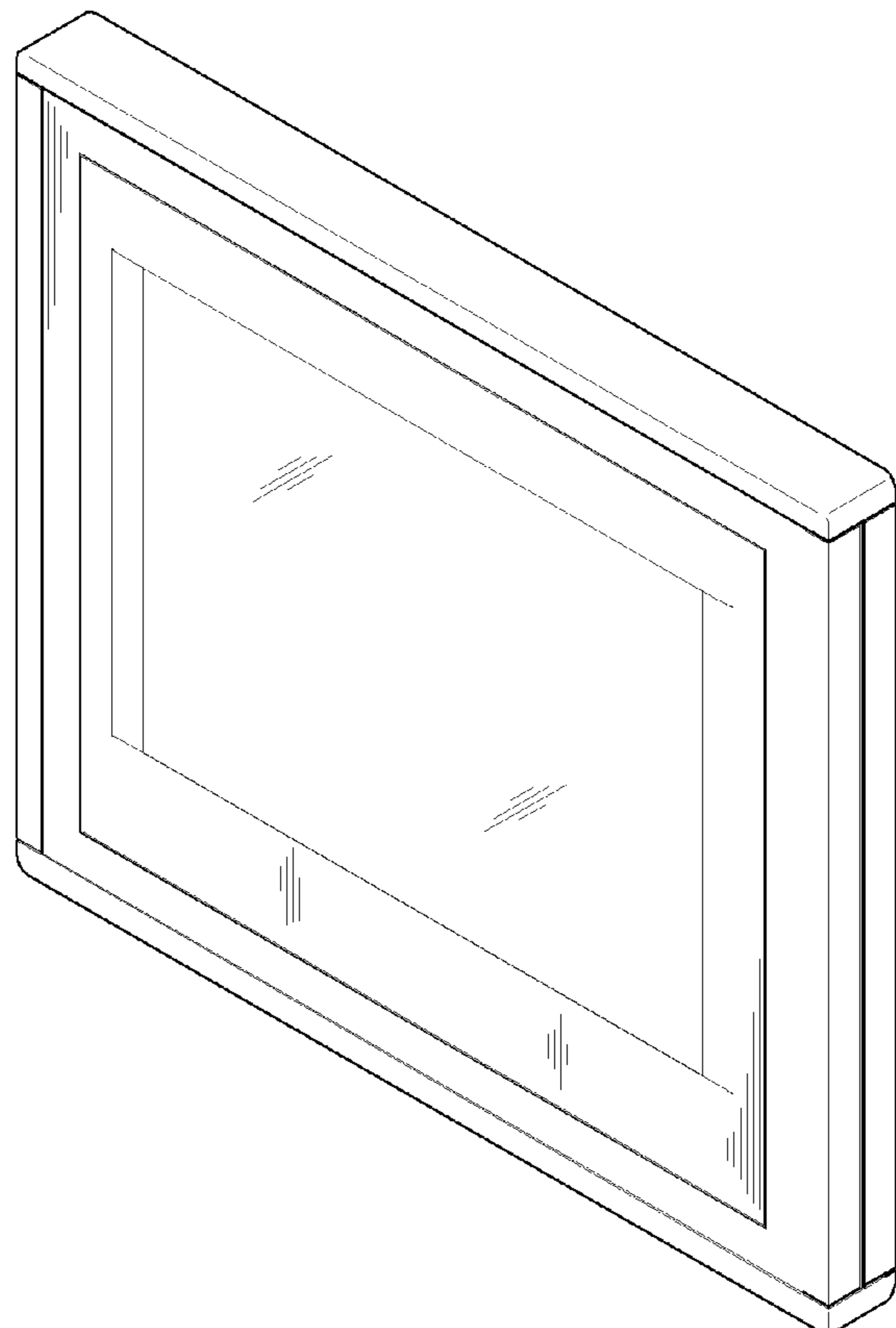
(56) **References Cited**

U.S. PATENT DOCUMENTS

D518,744 S * 4/2006 Rosen D10/50

D556,608 S * 12/2007 Rhodes D10/50

1 Claim, 4 Drawing Sheets



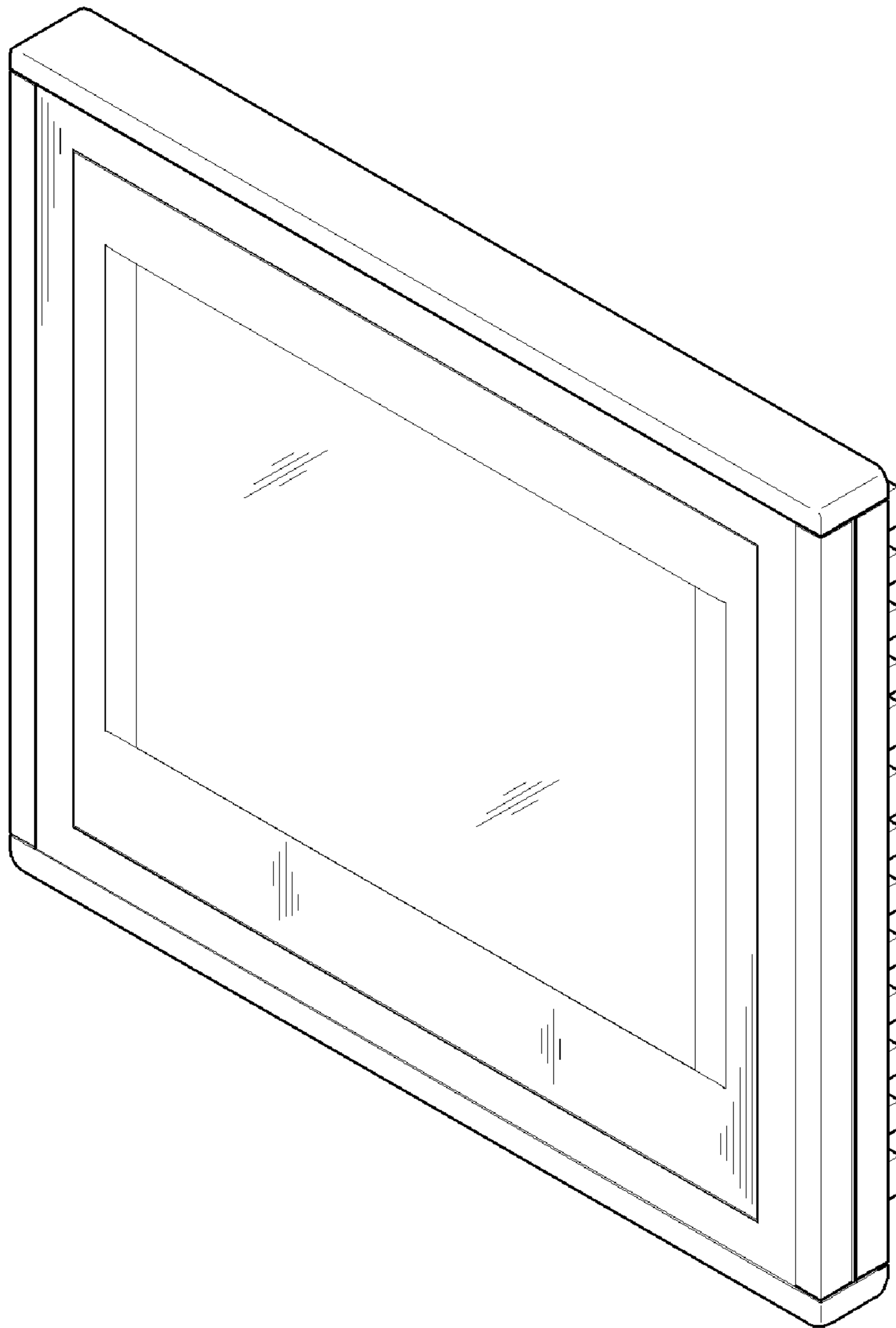


FIG. 1

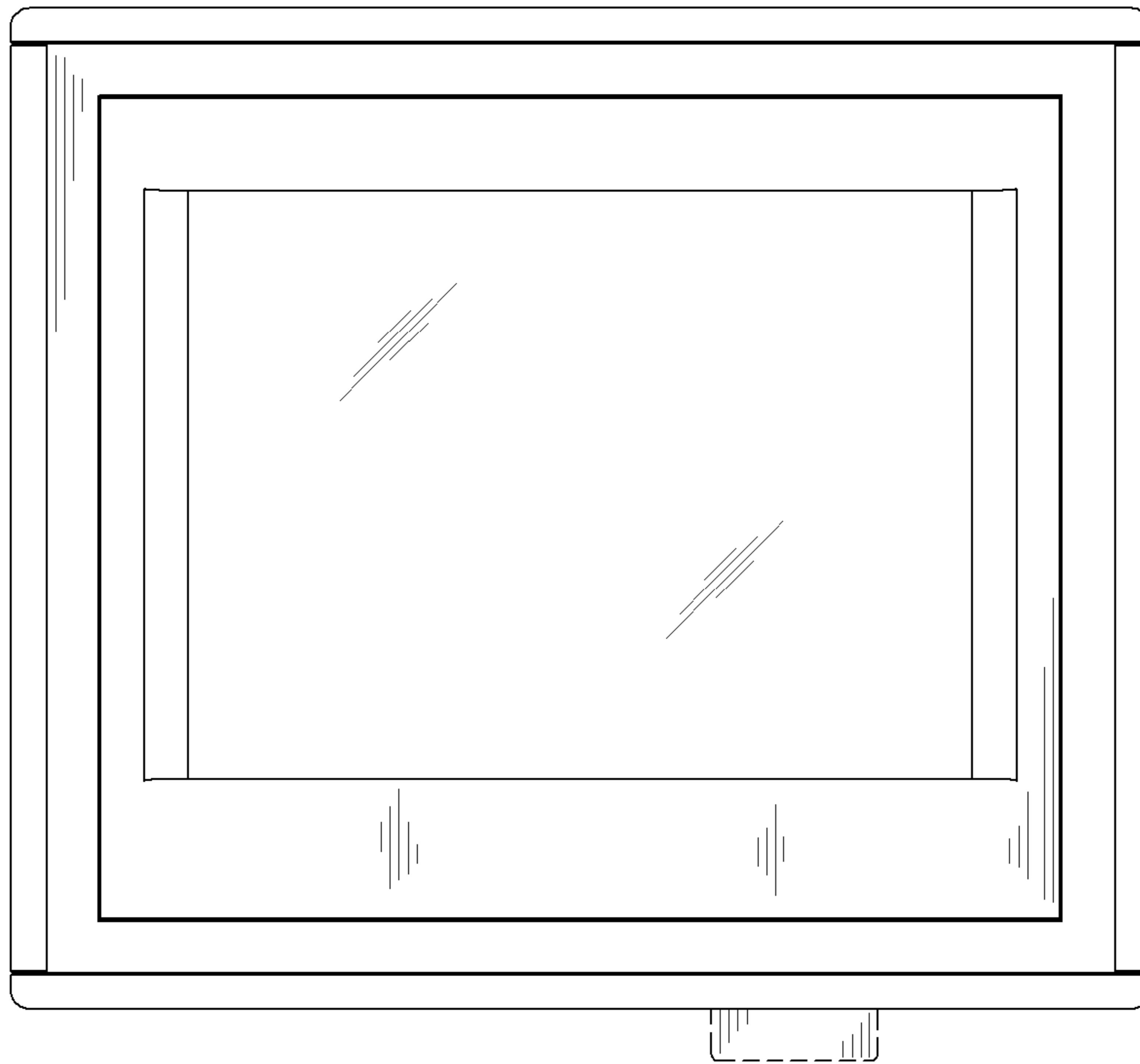


FIG. 2

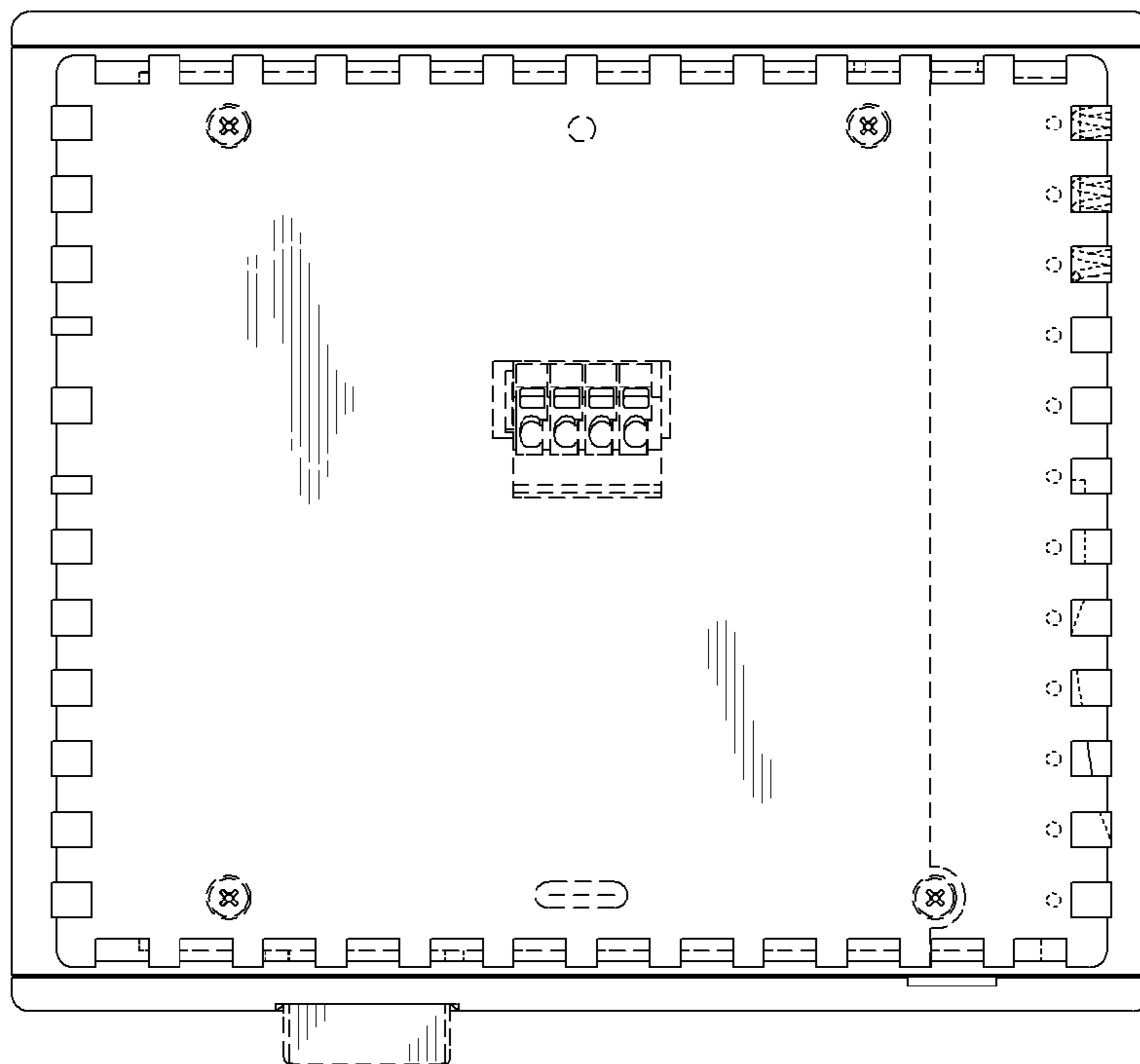


FIG. 3

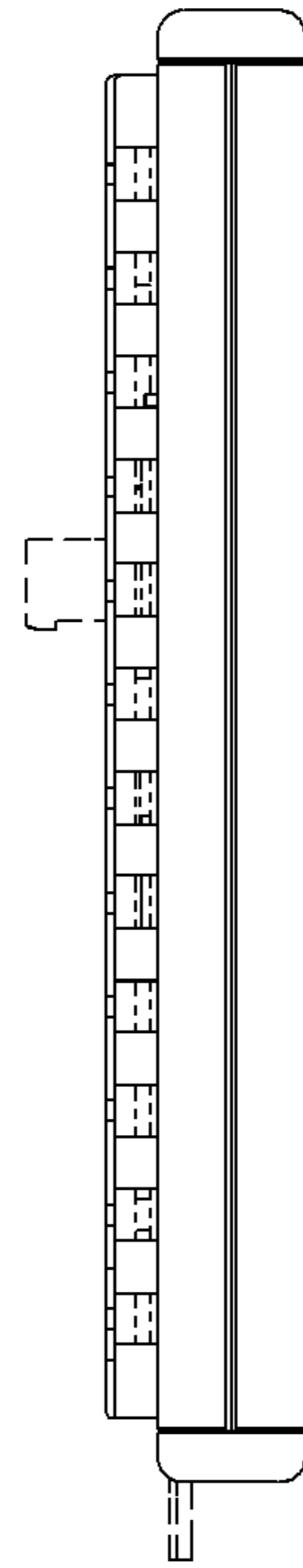


FIG. 4

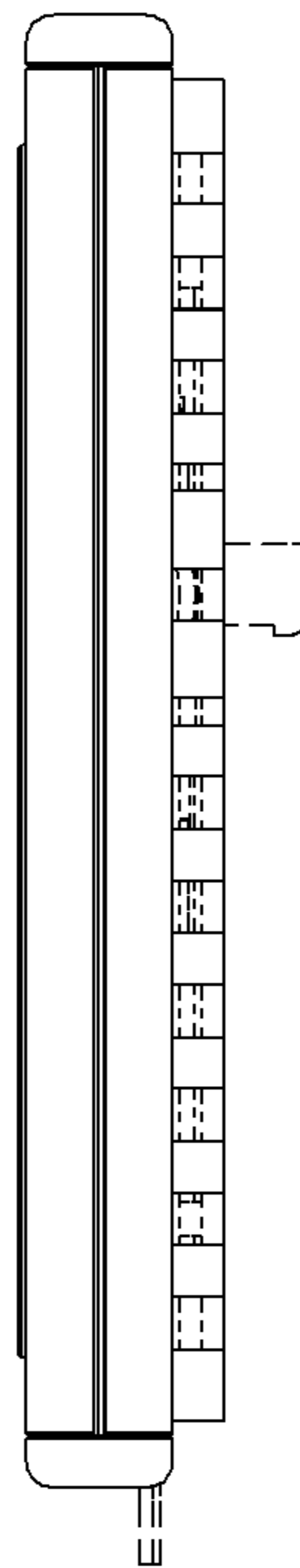


FIG. 5

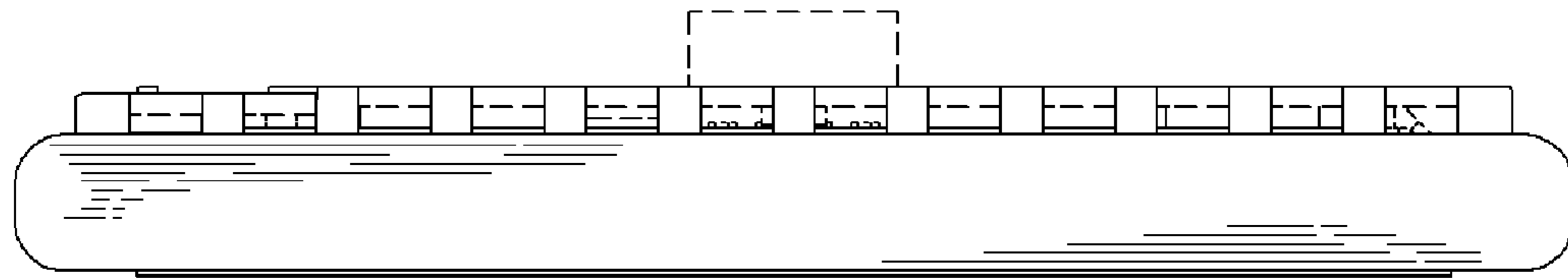


FIG. 6

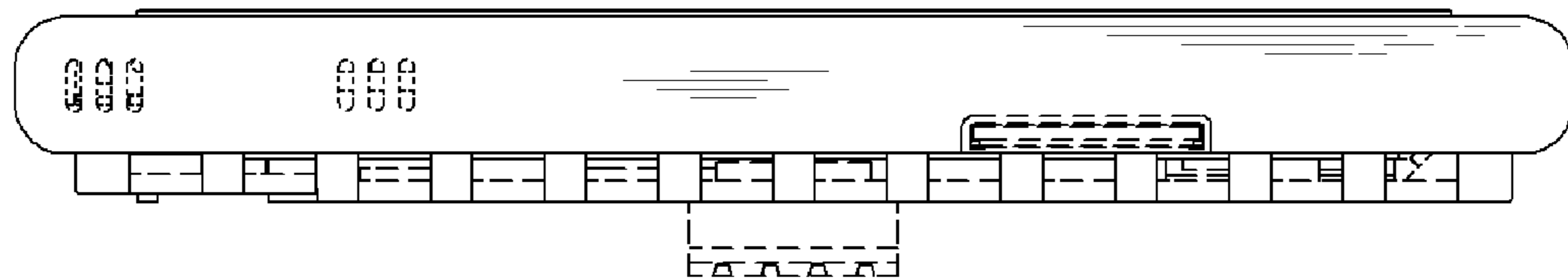


FIG. 7