



US00D592981S

(12) **United States Design Patent**
Chuan

(10) **Patent No.:** **US D592,981 S**
(45) **Date of Patent:** **** May 26, 2009**

(54) **METAL DETECTOR**

(75) Inventor: **Yu Bao Chuan**, Zhifu (CN)

(73) Assignee: **James Chapman**, Harrison, TN (US)

(**) Term: **14 Years**

(21) Appl. No.: **29/323,938**

(22) Filed: **Sep. 3, 2008**

(51) **LOC (9) Cl.** **10-04**

(52) **U.S. Cl.** **D10/47**

(58) **Field of Classification Search** D10/47;
324/327, 328, 233, 329; 340/368

See application file for complete search history.

(56) **References Cited**

U.S. PATENT DOCUMENTS

D377,908 S *	2/1997	Yue	D10/47
D486,080 S *	2/2004	Hu	D10/47
D533,792 S *	12/2006	Johnson et al.	D10/47

* cited by examiner

Primary Examiner—Antoine D Davis

(74) *Attorney, Agent, or Firm*—Stephen J. Stark; Miller & Martin PLLC

(57) **CLAIM**

The ornamental design for a metal detector, as shown and described.

DESCRIPTION

FIG. 1 is a top perspective view of a metal detector incorporating my new design with the remainder of the metal detector shown in phantom;

FIG. 2 is a front perspective view thereof;

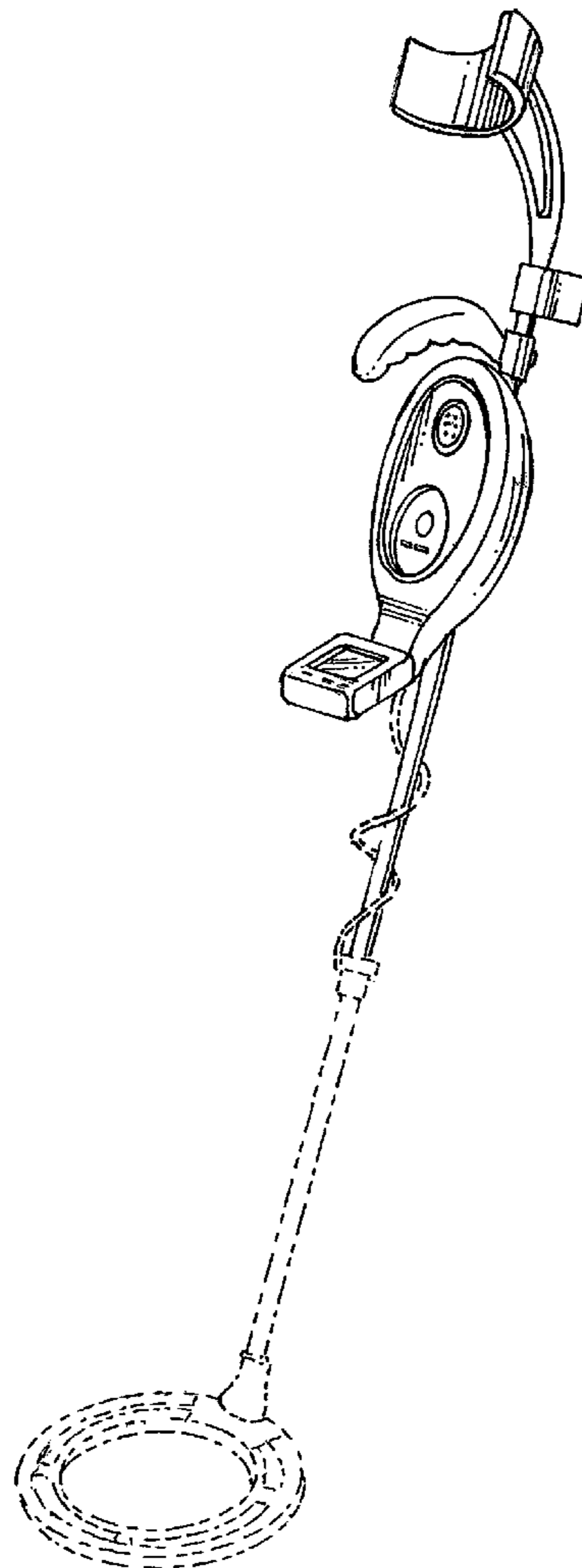
FIG. 3 is a left side elevational view thereof; the opposing side being a mirror image thereof;

FIG. 4 is a back elevation view thereof;

FIG. 5 is a top elevational view thereof; and,

FIG. 6 is a bottom elevational view thereof.

1 Claim, 3 Drawing Sheets



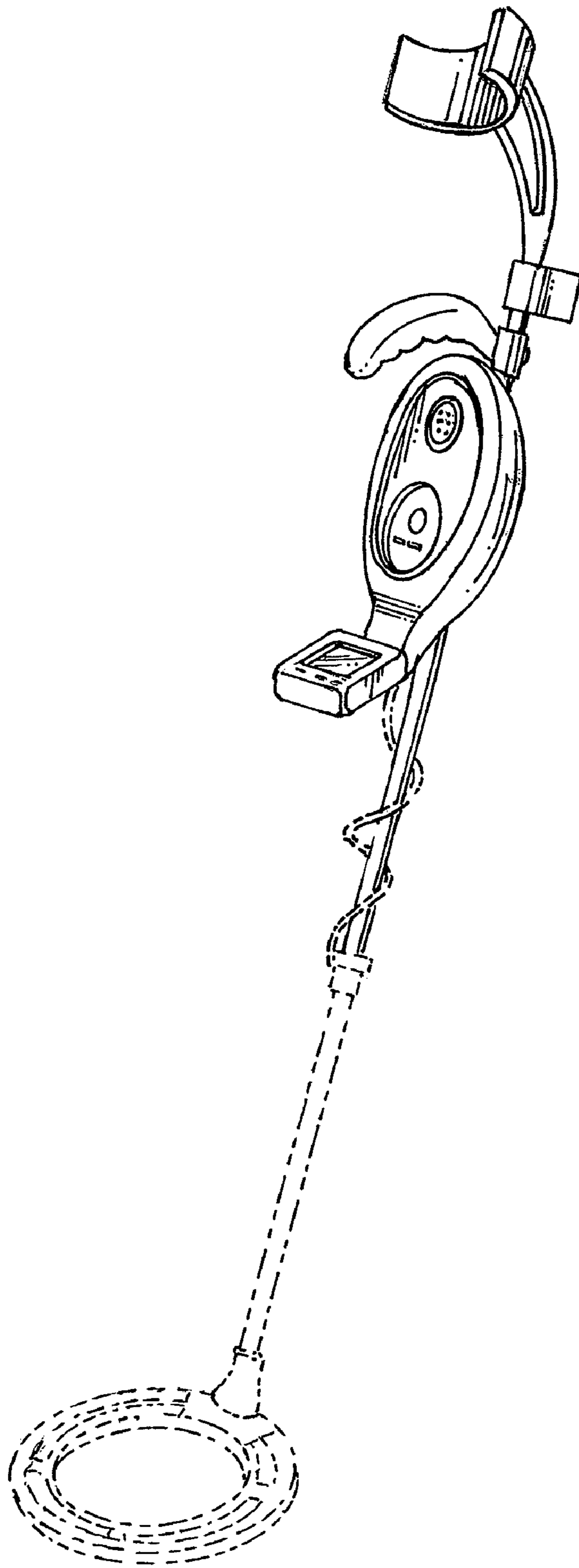


FIG. 1

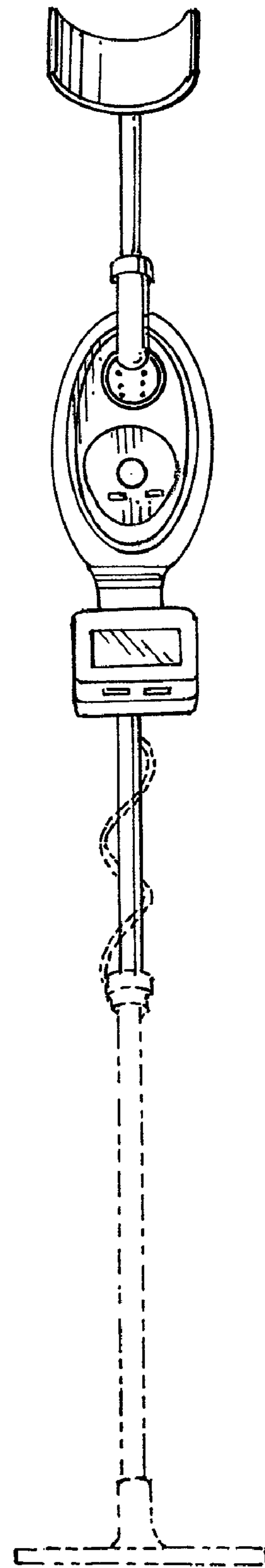


FIG. 2

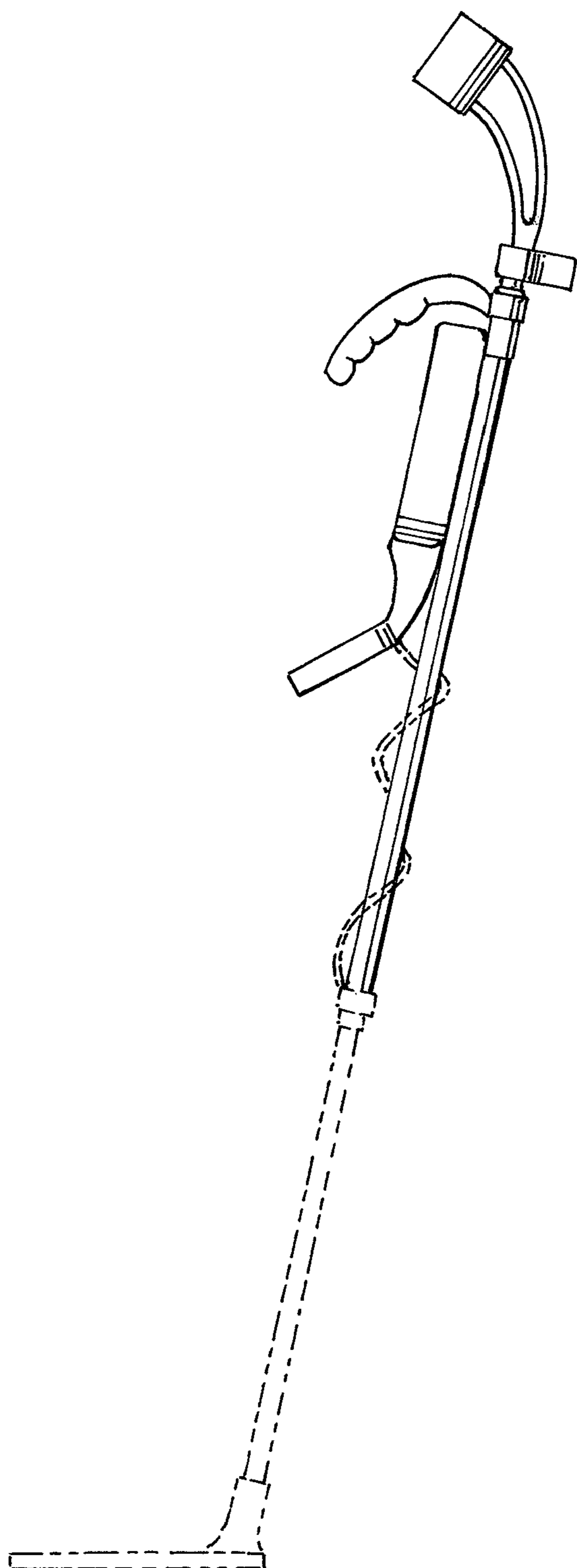


FIG. 3

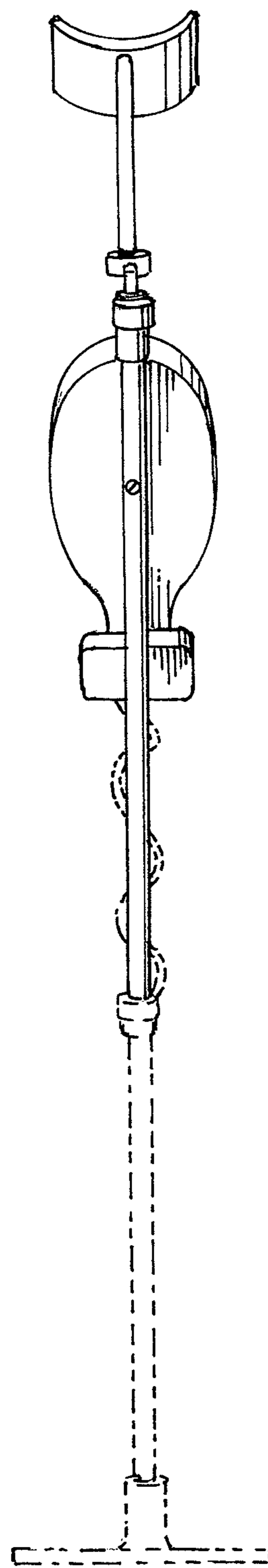


FIG. 4

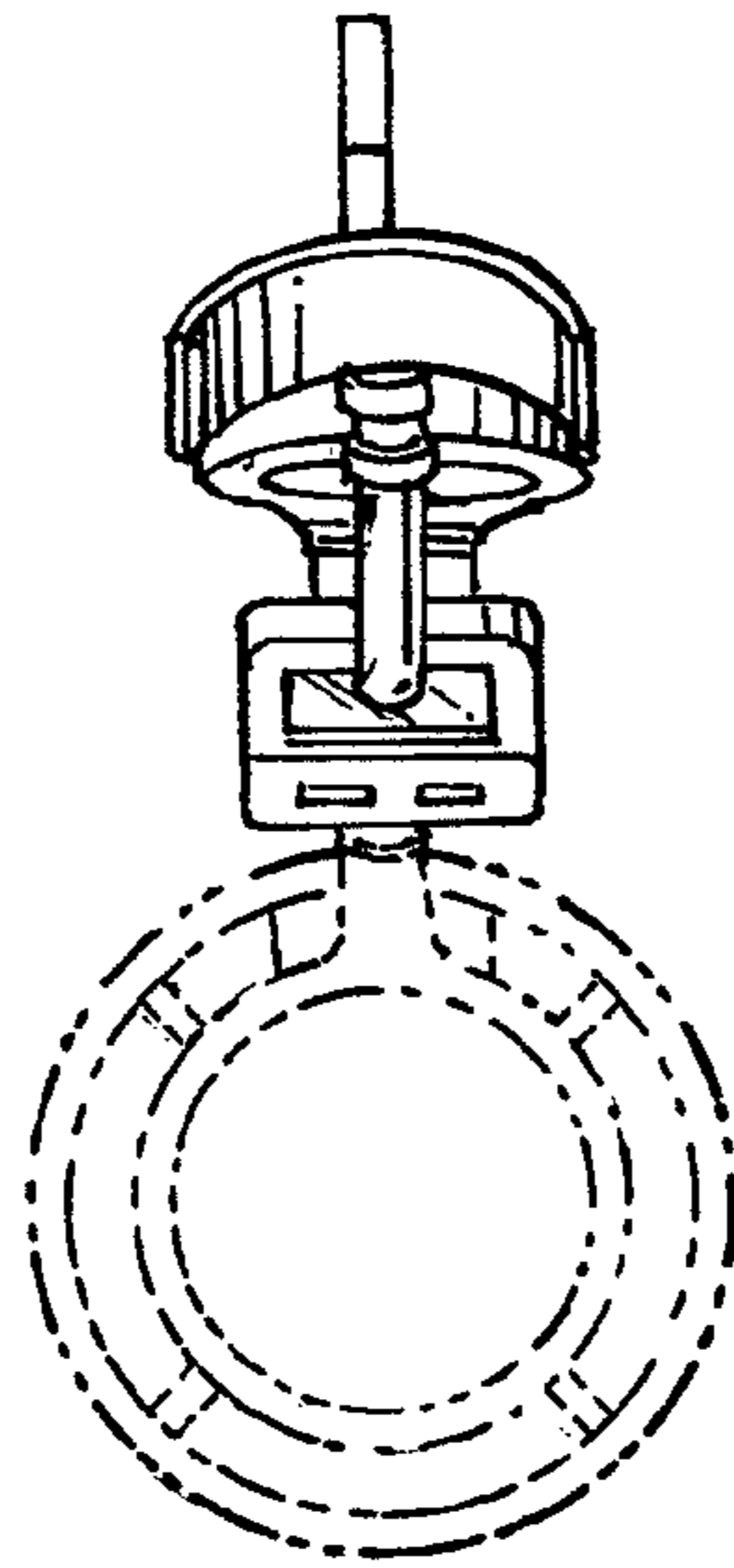


FIG. 5

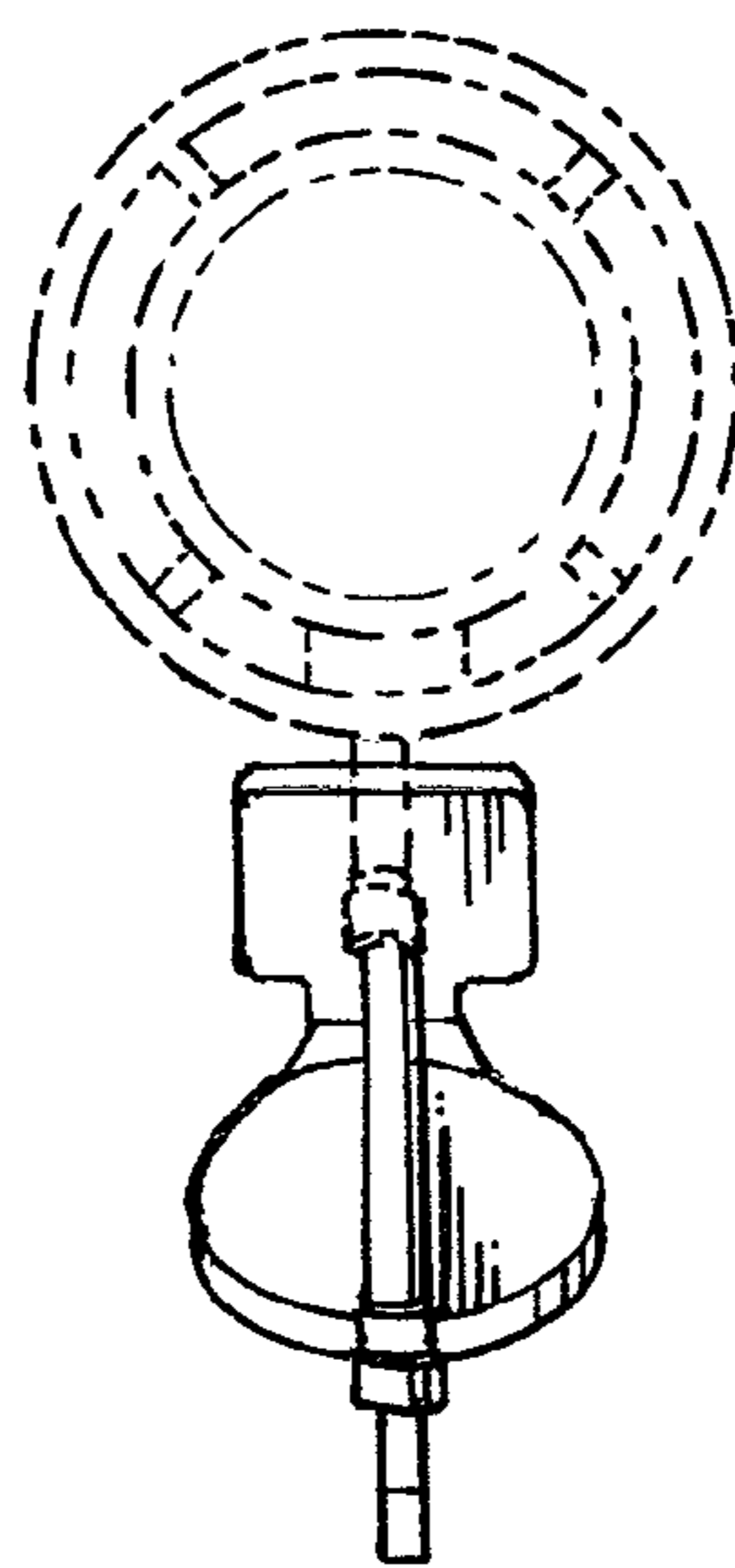


FIG. 6