



US00D592972S

(12) **United States Design Patent**  
**Beam et al.**

(10) **Patent No.:** **US D592,972 S**  
(45) **Date of Patent:** **\*\* May 26, 2009**

(54) **CONTAINER**

(75) Inventors: **Erin Melcher Beam**, Califon, NJ (US);  
**Stephen Wahl**, San Francisco, CA (US);  
**Opher Doron Yom Tov**, San Francisco,  
CA (US); **Alan Regala**, Mountain View,  
CA (US); **Stephen Kim**, San Francisco,  
CA (US); **Jonah Houston**, Palo Alto,  
CA (US); **William Cesarotti**, Palo Alto,  
CA (US); **Emily Ma**, Mountain View,  
CA (US)

(73) Assignee: **McNeil-PPC, Inc.**, Skillman, NJ (US)

(\*\*) Term: **14 Years**

(21) Appl. No.: **29/275,224**

(22) Filed: **Dec. 18, 2006**

(51) **LOC (9) Cl.** ..... **09-05**

(52) **U.S. Cl.** ..... **D9/708**

(58) **Field of Classification Search** ..... D9/702–710,  
D9/713–714, 435, 440, 444; 220/288; 222/92,  
222/107, 215; 383/80, 104; D24/118, 121  
See application file for complete search history.

(56) **References Cited**

**U.S. PATENT DOCUMENTS**

|           |   |   |         |                   |       |          |
|-----------|---|---|---------|-------------------|-------|----------|
| 2,204,784 | A | * | 6/1940  | Abrams            | ..... | 312/31.2 |
| D274,848  | S | * | 7/1984  | Chevassus         | ..... | D28/76   |
| D292,674  | S | * | 11/1987 | Morris et al.     | ..... | D9/439   |
| D308,824  | S |   | 6/1990  | Wiseman et al.    |       |          |
| D317,869  | S | * | 7/1991  | Kipperman et al.  | ..... | D9/446   |
| D324,994  | S |   | 3/1992  | Jentgen           |       |          |
| D328,246  | S |   | 7/1992  | Nottingham et al. |       |          |
| D342,901  | S | * | 1/1994  | Joo               | ..... | D9/529   |
| D373,728  | S | * | 9/1996  | Moore             | ..... | D9/448   |
| D426,770  | S | * | 6/2000  | Crawford          | ..... | D9/727   |
| D443,516  | S |   | 6/2001  | Fenton et al.     |       |          |
| D443,822  | S |   | 6/2001  | Fenton et al.     |       |          |
| D445,690  | S | * | 7/2001  | Ekkert            | ..... | D9/504   |
| D463,280  | S | * | 9/2002  | Brozell           | ..... | D9/449   |
| D464,266  | S |   | 10/2002 | Dalmau            |       |          |

|          |   |   |        |                 |       |        |
|----------|---|---|--------|-----------------|-------|--------|
| D489,258 | S | * | 5/2004 | Hollmann et al. | ..... | D9/444 |
| D534,426 | S | * | 1/2007 | Bakic           | ..... | D9/449 |
| D546,179 | S | * | 7/2007 | Kunesh et al.   | ..... | D9/445 |

**FOREIGN PATENT DOCUMENTS**

|    |          |        |
|----|----------|--------|
| JP | D1276149 | 7/2006 |
| TW | 536221   | 6/2003 |

\* cited by examiner

*Primary Examiner*—Caron D. Veynar  
*Assistant Examiner*—Abraham Bahta

(57) **CLAIM**

The ornamental design for a container, as shown and described.

**DESCRIPTION**

FIG. 1 is a front, right perspective view of a first embodiment of a container showing my new design;

FIG. 2 is a front elevational view thereof;

FIG. 3 is a back elevational view thereof;

FIG. 4 is a left side elevational view, the right side elevational view being a mirror image thereof;

FIG. 5 is a top plan view thereof;

FIG. 6 is a front elevational view of a container similar to that of FIGS. 1–5, but with the cap offset from the midline;

FIG. 7 is a front, right perspective view of a second embodiment of a container showing my new design;

FIG. 8 is a front elevational view thereof;

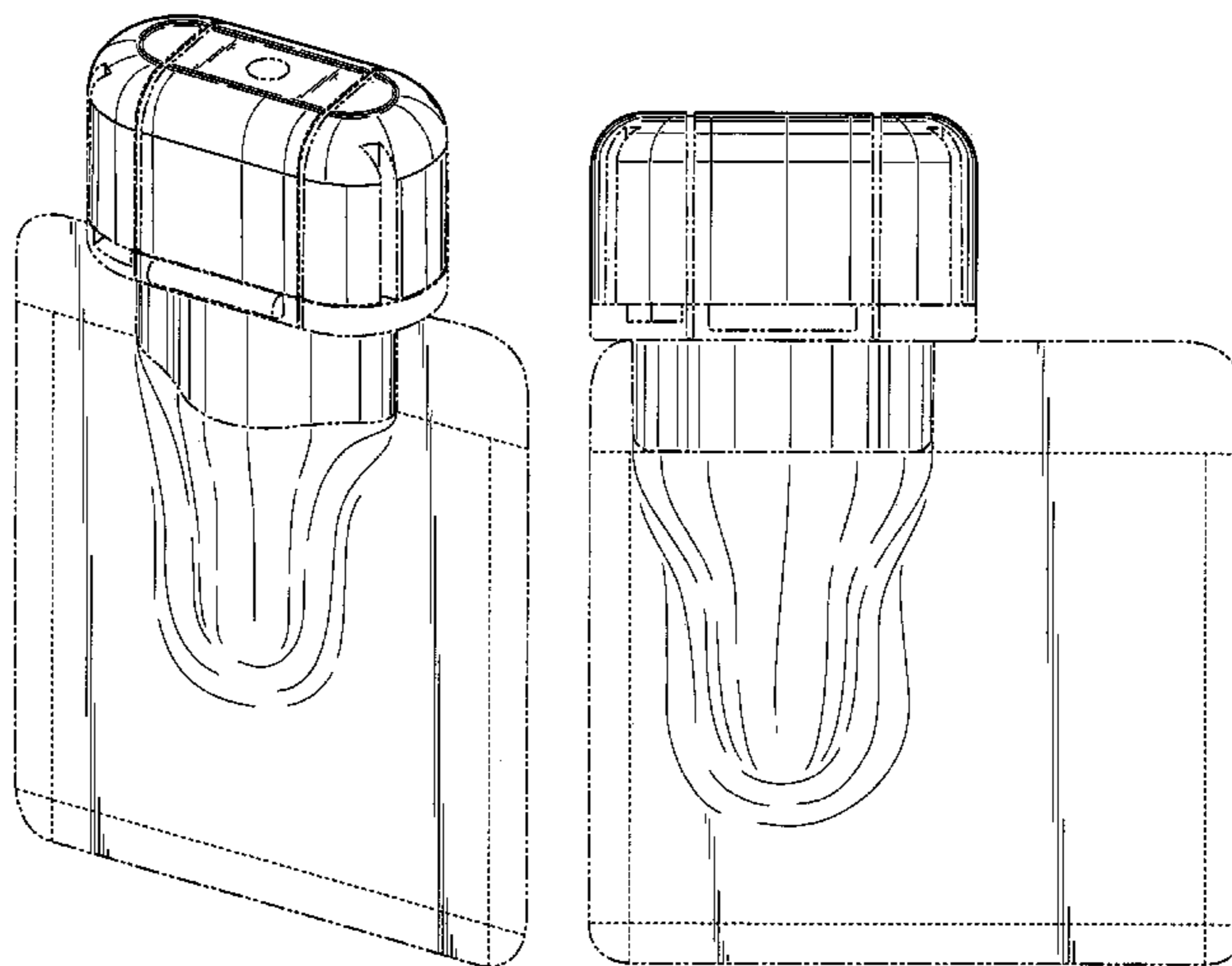
FIG. 9 is a back elevational view thereof;

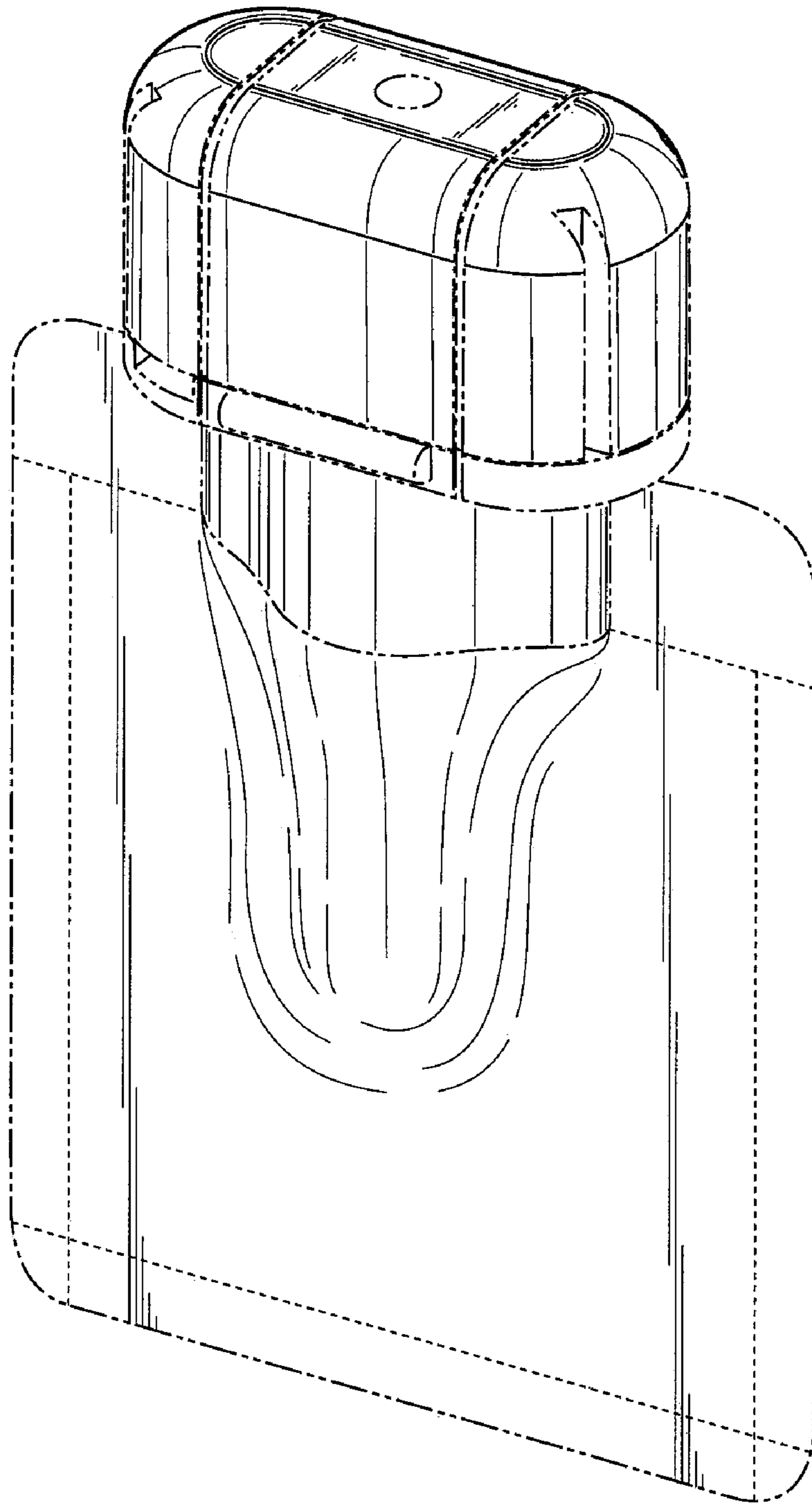
FIG. 10 is a left side elevational view, the right side elevational view being a mirror image thereof; and,

FIG. 11 is a top plan view thereof.

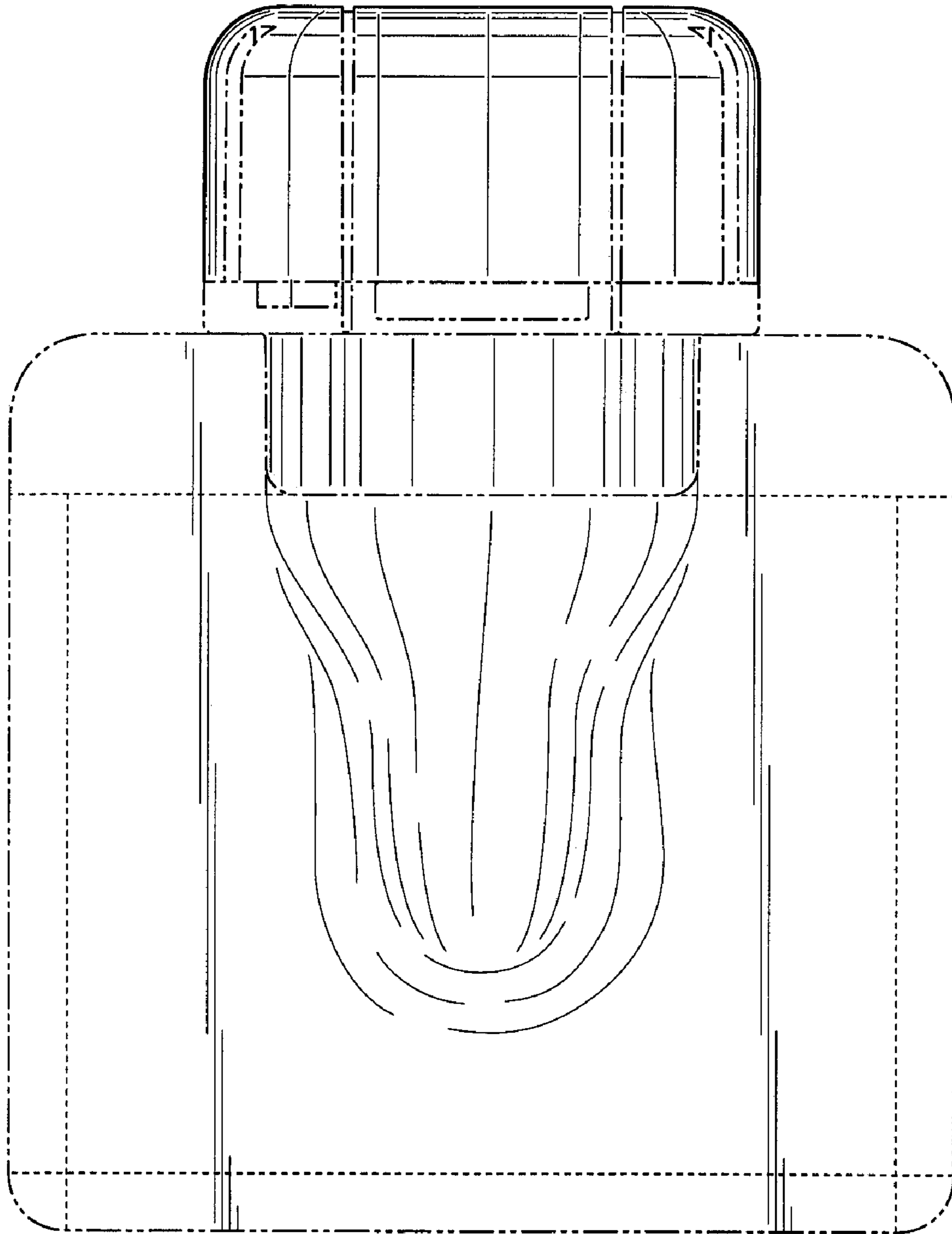
The dash-dot-dot-dash lines in the drawing are for illustrative purposes only and form no part of the claimed design. The dotted lines in FIGS. 8–10, 13, 19–21 represent a seam line.

**1 Claim, 9 Drawing Sheets**

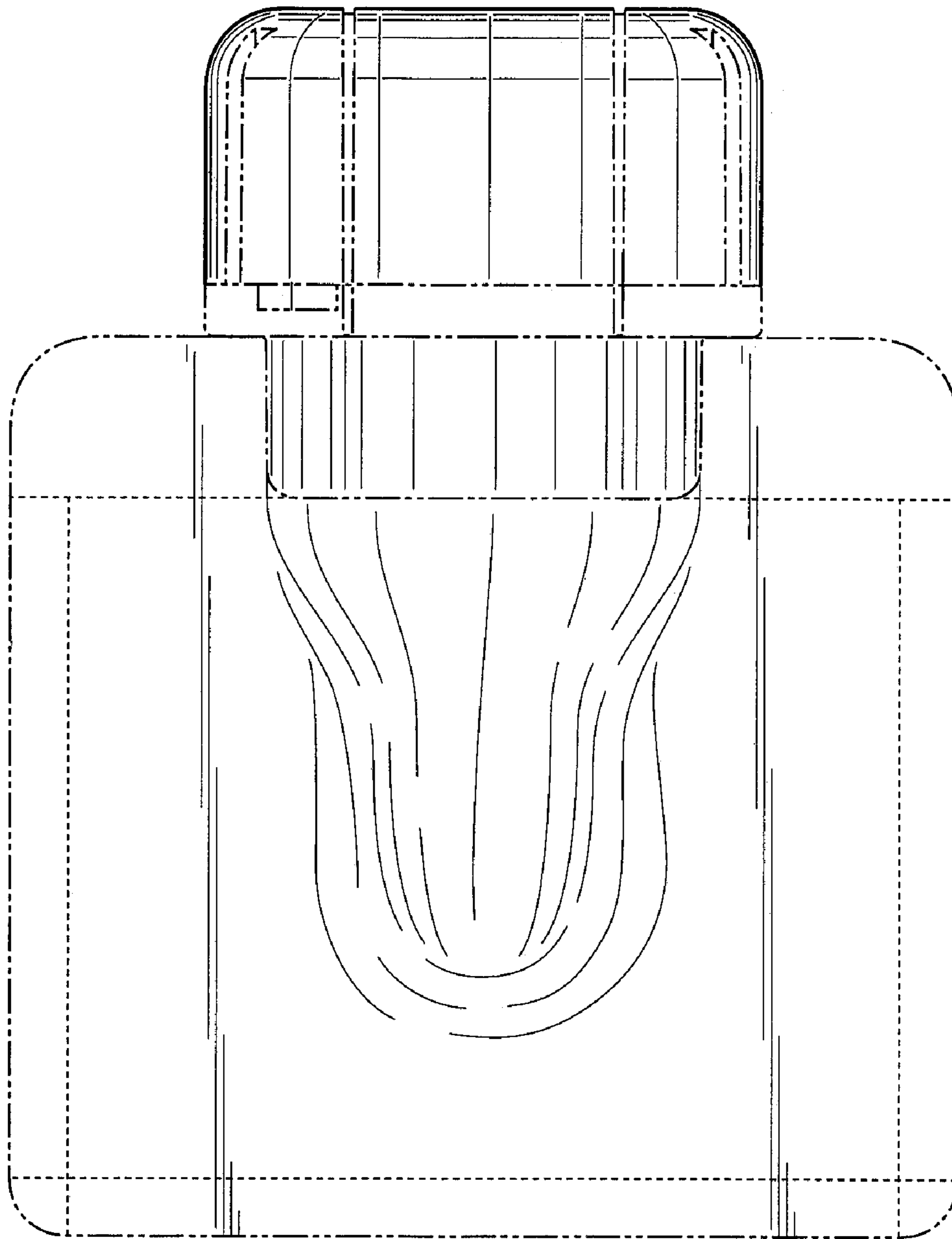




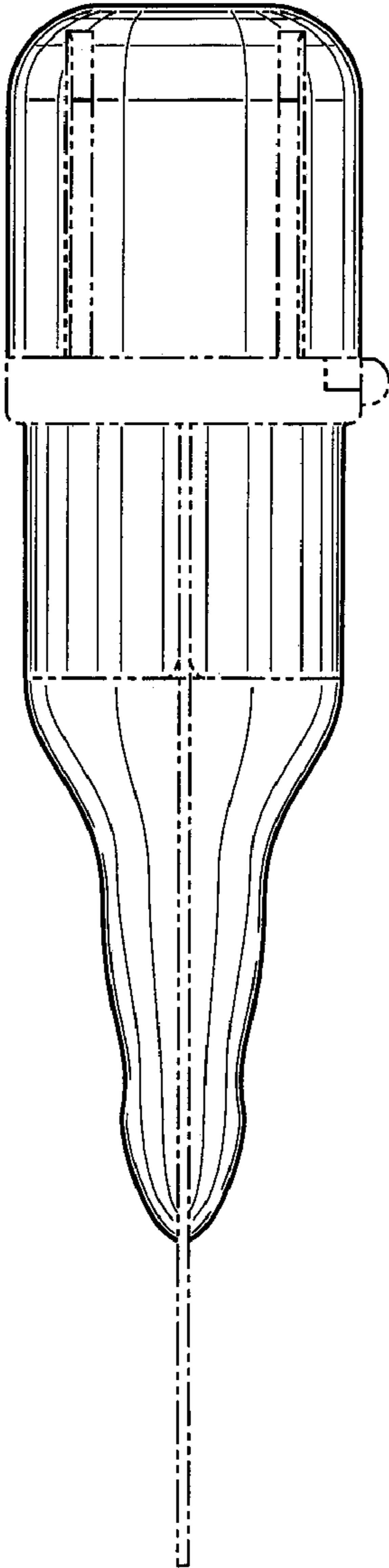
**Fig. 1**



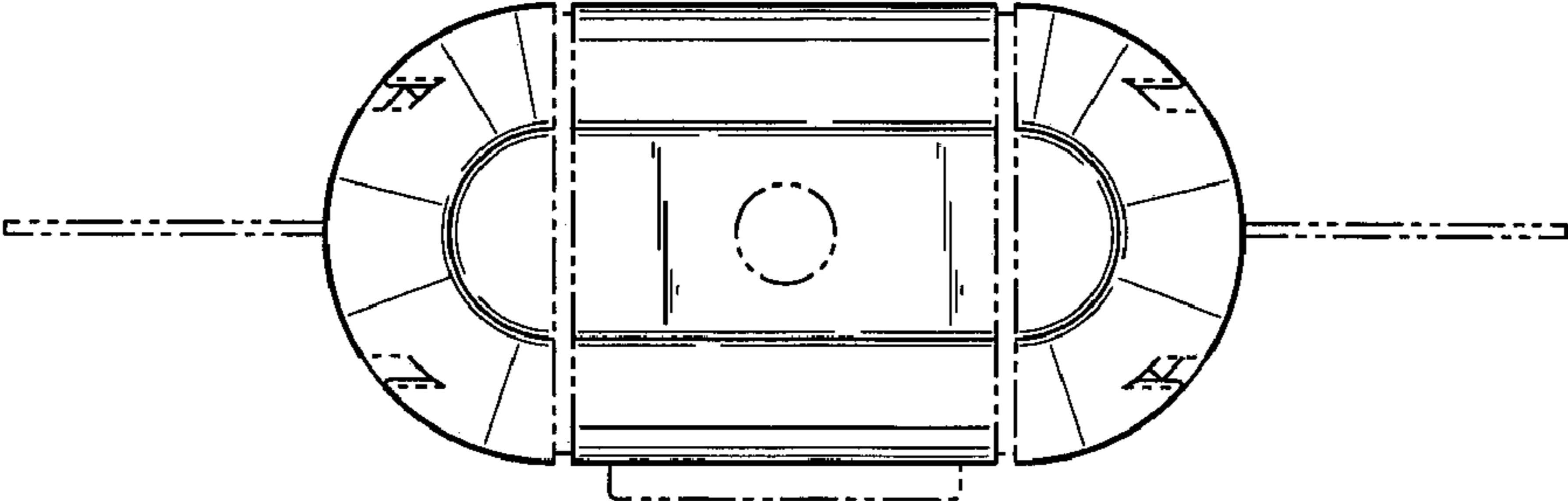
**Fig. 2**



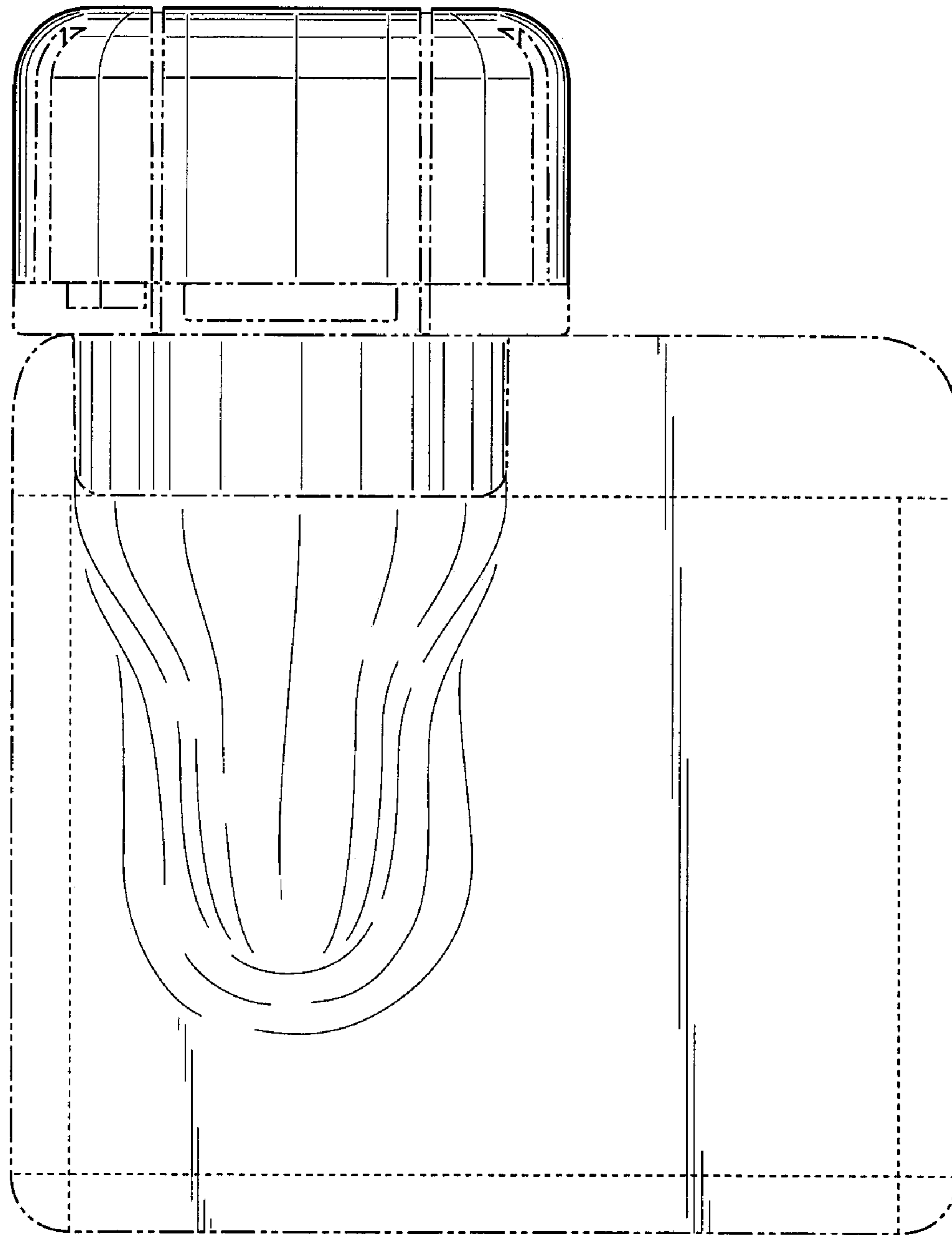
**Fig. 3**



**Fig. 4**

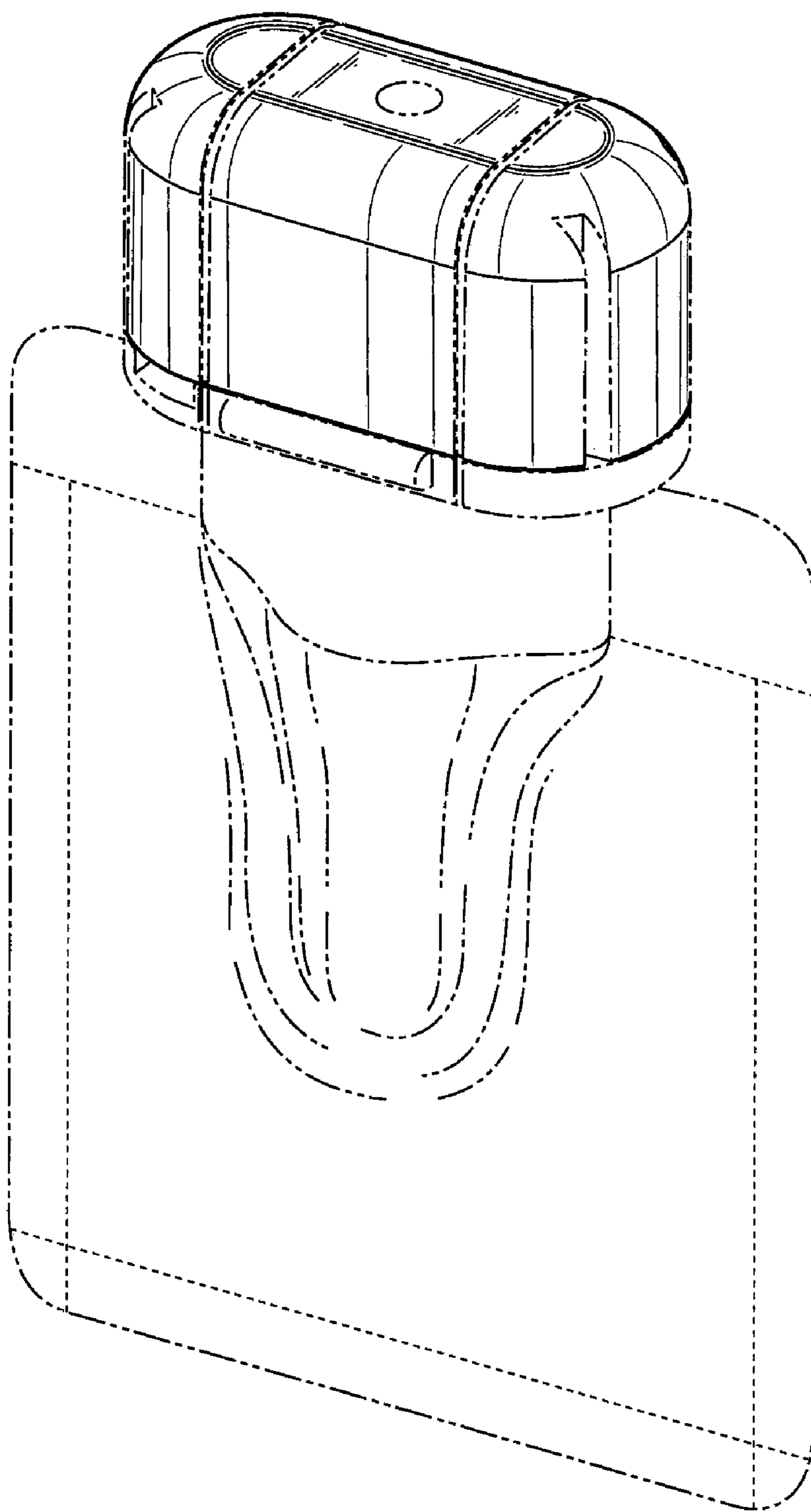


**Fig. 5**

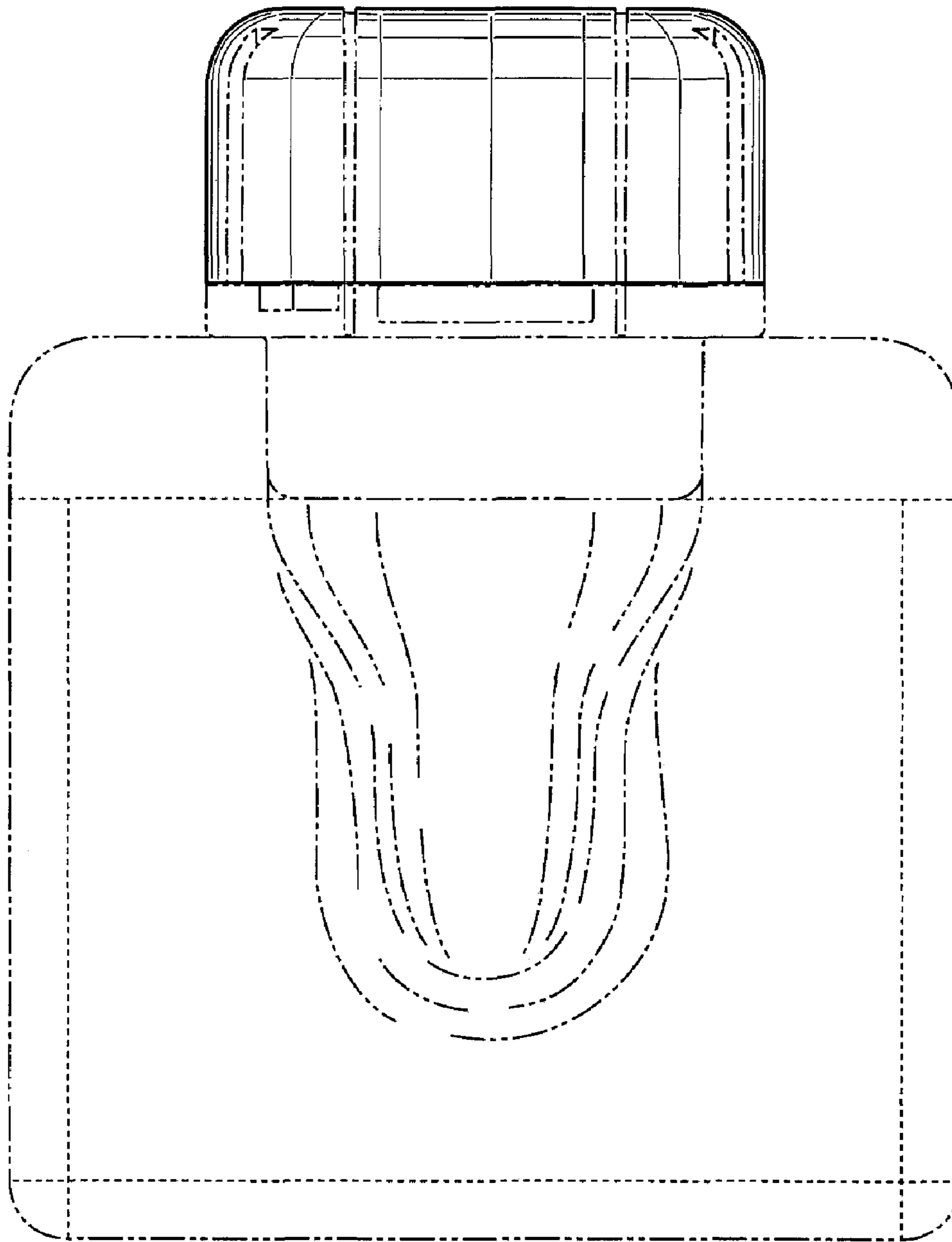


**Fig. 6**



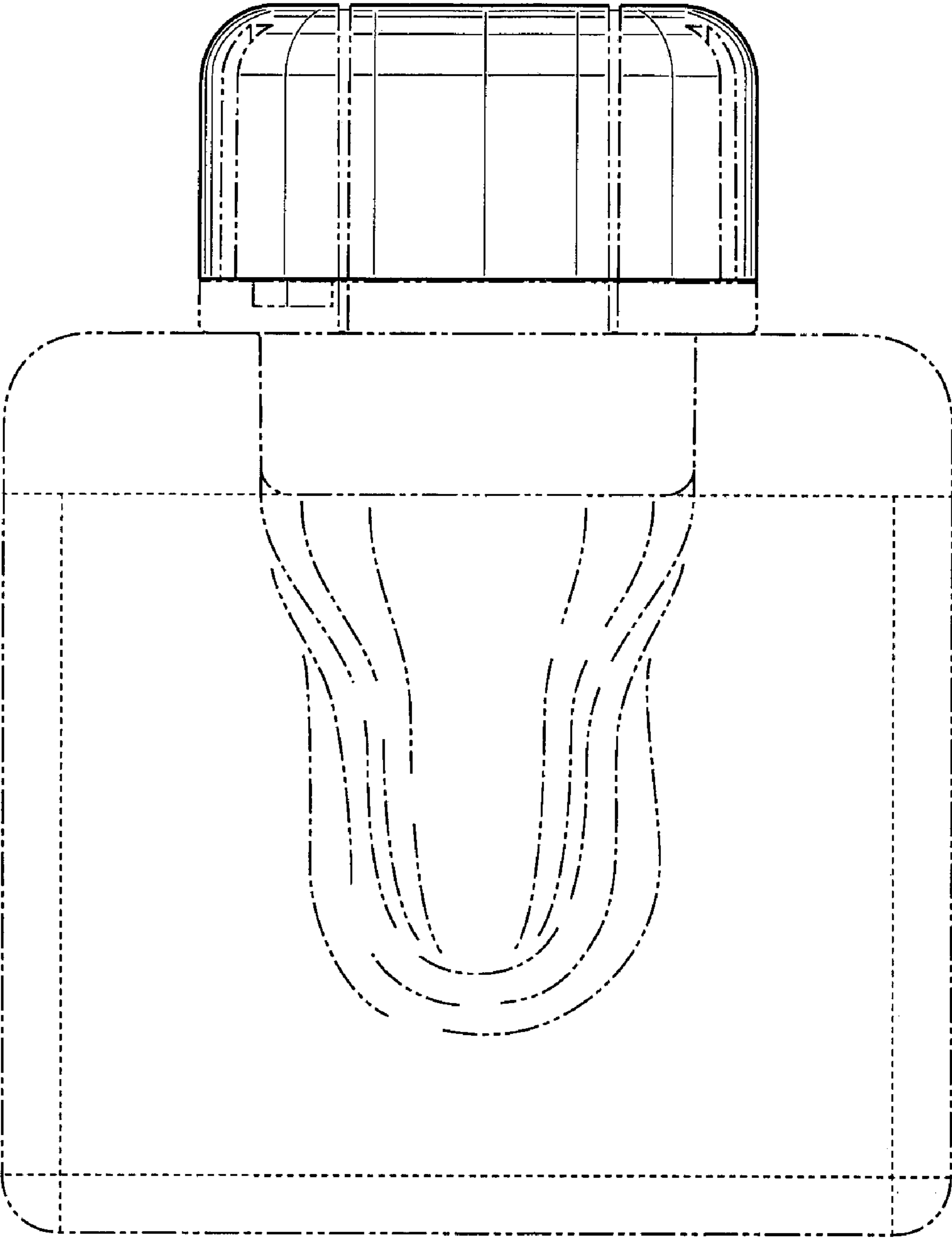


**Fig. 7**

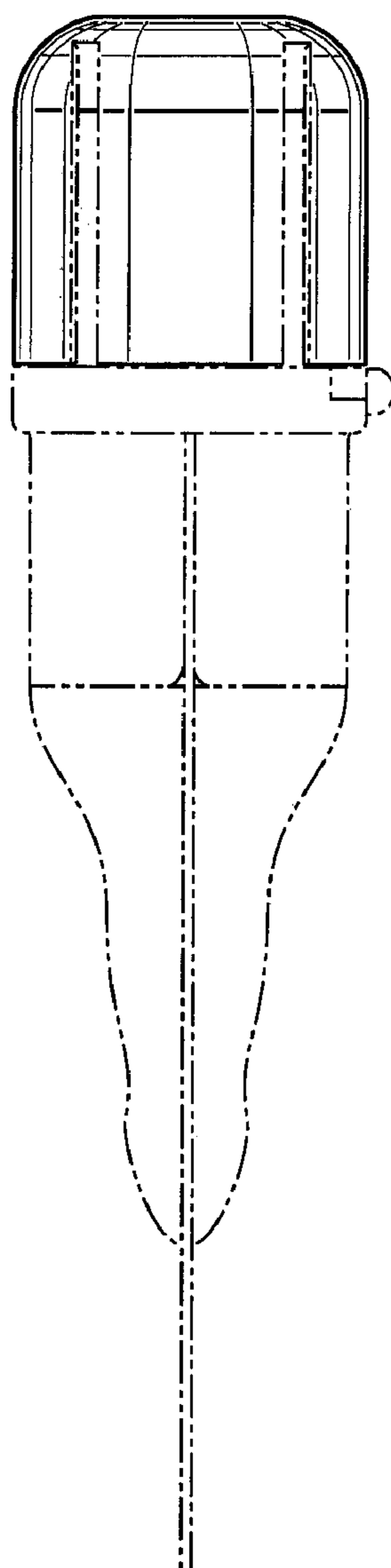


**Fig. 8**

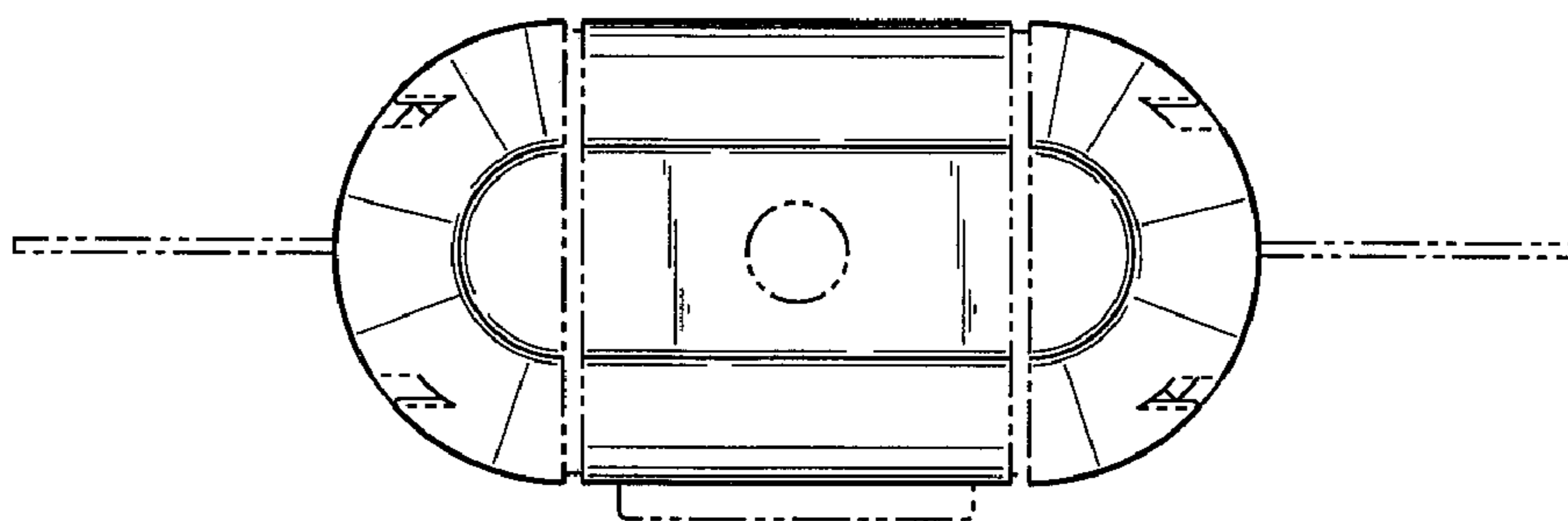




**Fig. 9**



**Fig. 10**



**Fig. 11**