

US00D592969S

(12) **United States Design Patent**
Hazelton et al.

(10) **Patent No.:** **US D592,969 S**

(45) **Date of Patent:** **** May 26, 2009**

(54) **BOTTLE**

D437,214 S	2/2001	Kato et al.
D437,550 S	2/2001	Kato et al.
D437,551 S	2/2001	Kato et al.
D471,112 S	3/2003	Davis et al.
D508,856 S	8/2005	Boon et al.
D547,659 S	7/2007	Heisner
D566,578 S	4/2008	Snyder et al.

(75) Inventors: **Lance Hazelton**, Astoria, NY (US);
Brian Pare, Newton, CT (US)

(73) Assignee: **PepsiCo, Inc.**, Purchase, NY (US)

(**) Term: **14 Years**

Primary Examiner—Sandra Morris
(74) *Attorney, Agent, or Firm*—Banner & Witcoff, Ltd.

(21) Appl. No.: **29/333,038**

(22) Filed: **Mar. 2, 2009**

(57) **CLAIM**

The ornamental design for a bottle, as shown and described.

Related U.S. Application Data

(62) Division of application No. 29/302,434, filed on Jan. 16, 2008, now Pat. No. Des. 589,815.

(51) **LOC (9) Cl.** **09-01**

(52) **U.S. Cl.** **D9/601; D9/607; D9/551;**
D9/516

(58) **Field of Classification Search** D7/514–517;
D9/600–601, 605, 607, 500–504, 516, 537–543,
D9/549–551; 206/457, 459.5; 215/379–383,
215/400; 220/890

See application file for complete search history.

(56) **References Cited**

U.S. PATENT DOCUMENTS

D409,482 S	5/1999	Jacobs
D412,281 S	7/1999	Lindsay et al.
D430,803 S	9/2000	Reis et al.

DESCRIPTION

FIG. 1 is a front left perspective view of a bottle showing our new design;

FIG. 2 is a front view thereof;

FIG. 3 is a right side view thereof;

FIG. 4 is a rear view thereof;

FIG. 5 is a left side view thereof;

FIG. 6 is a top view thereof; and,

FIG. 7 is a bottom view thereof.

The broken lines immediately adjacent to the shaded area represent unclaimed boundaries of the design. The broken lines showing the remainder of the bottle are for environmental purposes only and form no part of the claimed design.

1 Claim, 6 Drawing Sheets

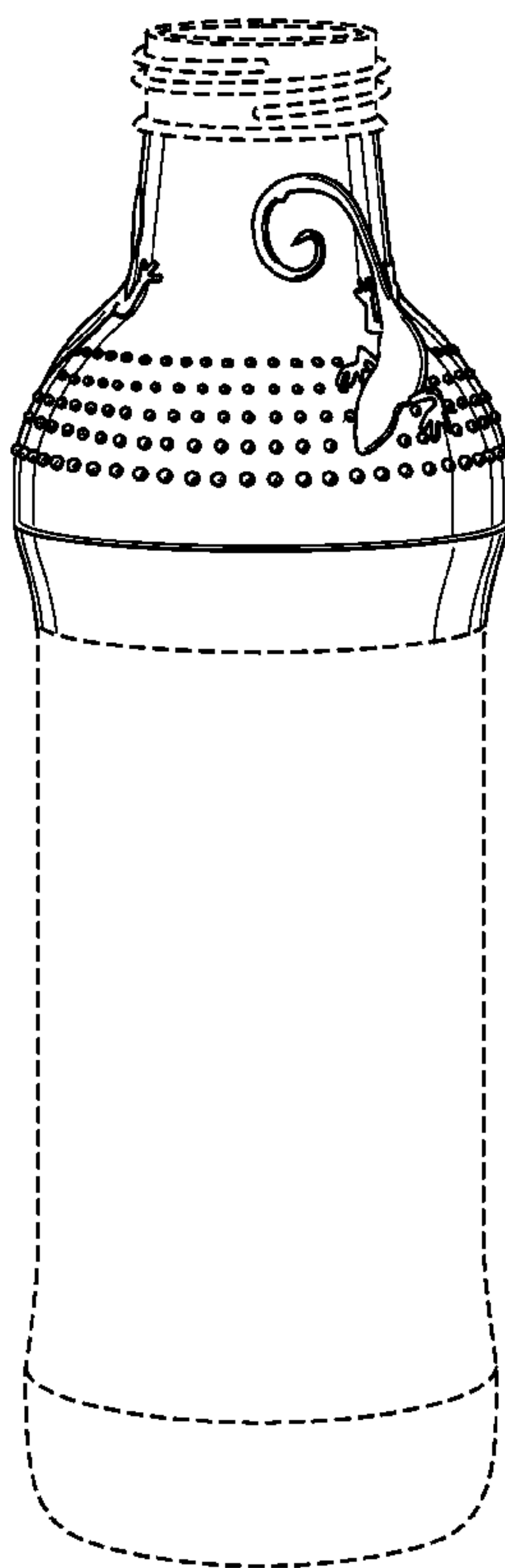


Fig. 1

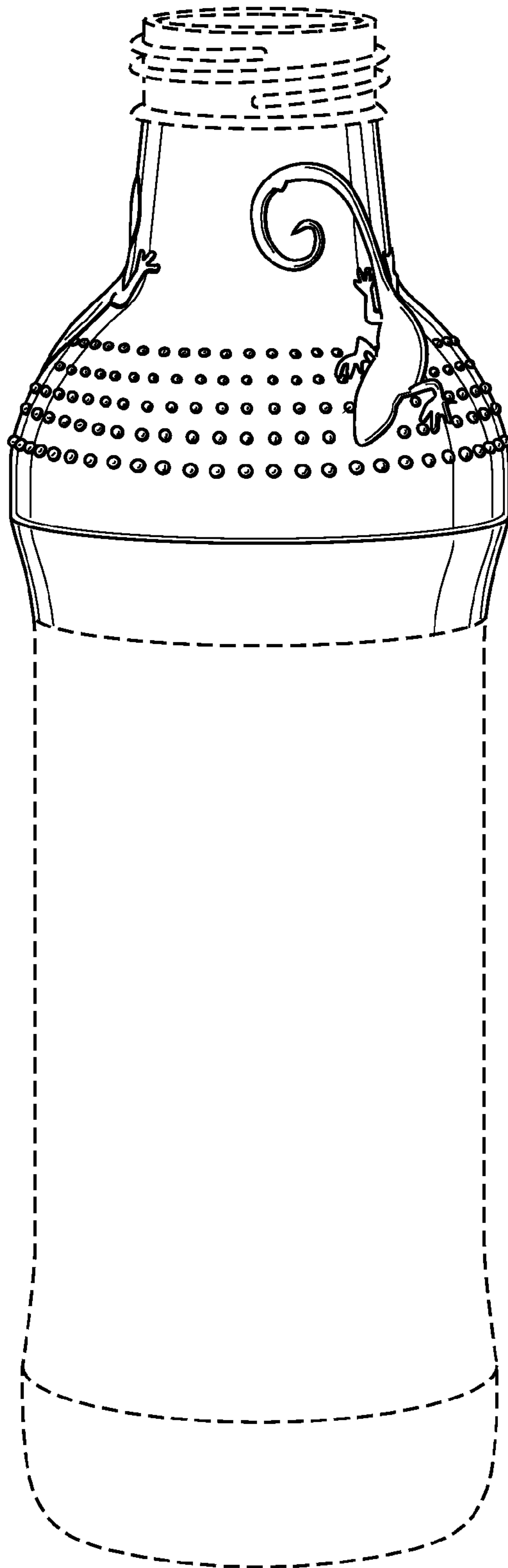


Fig. 2

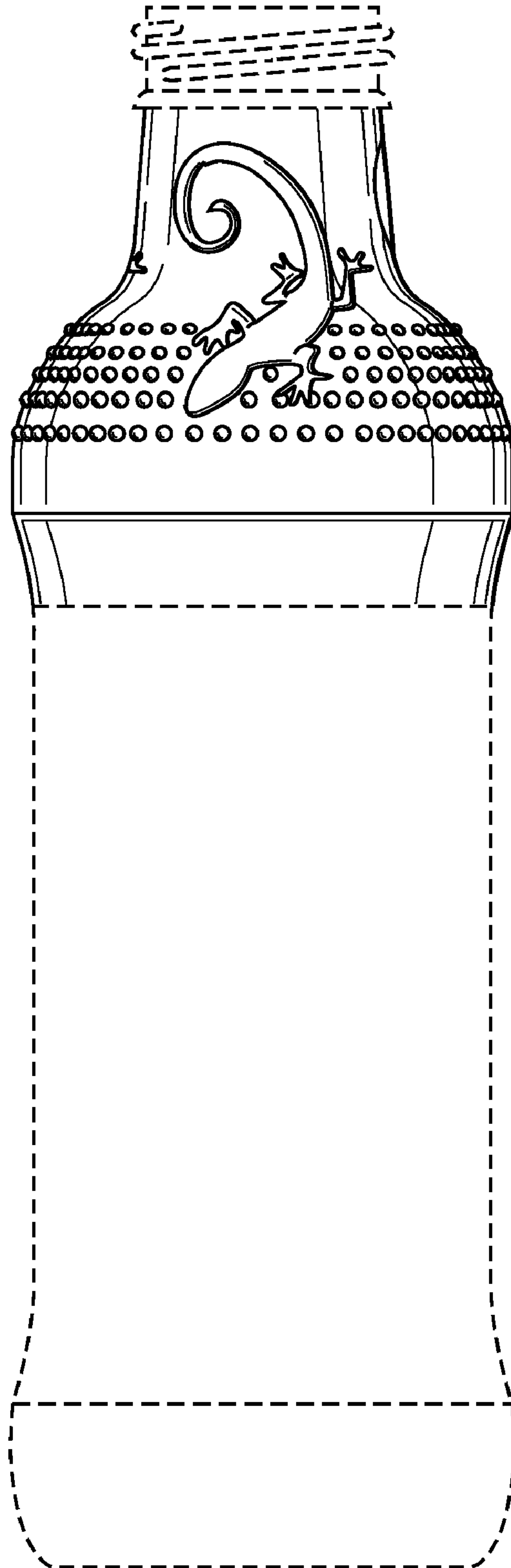


Fig. 3

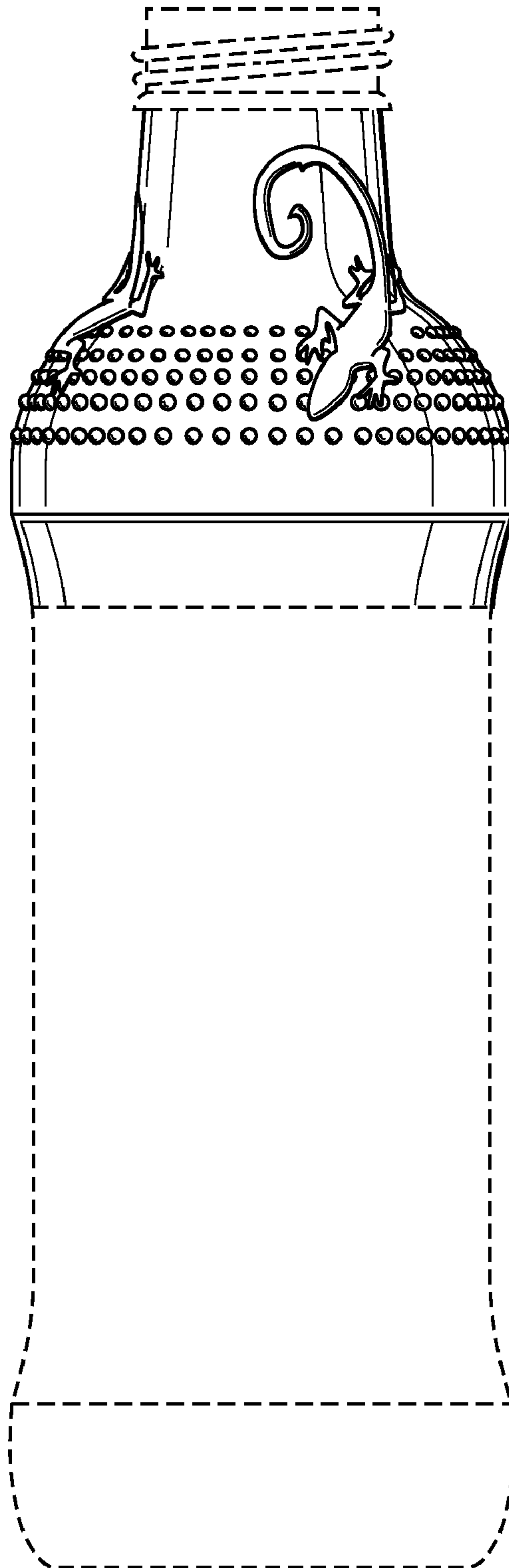


Fig. 4

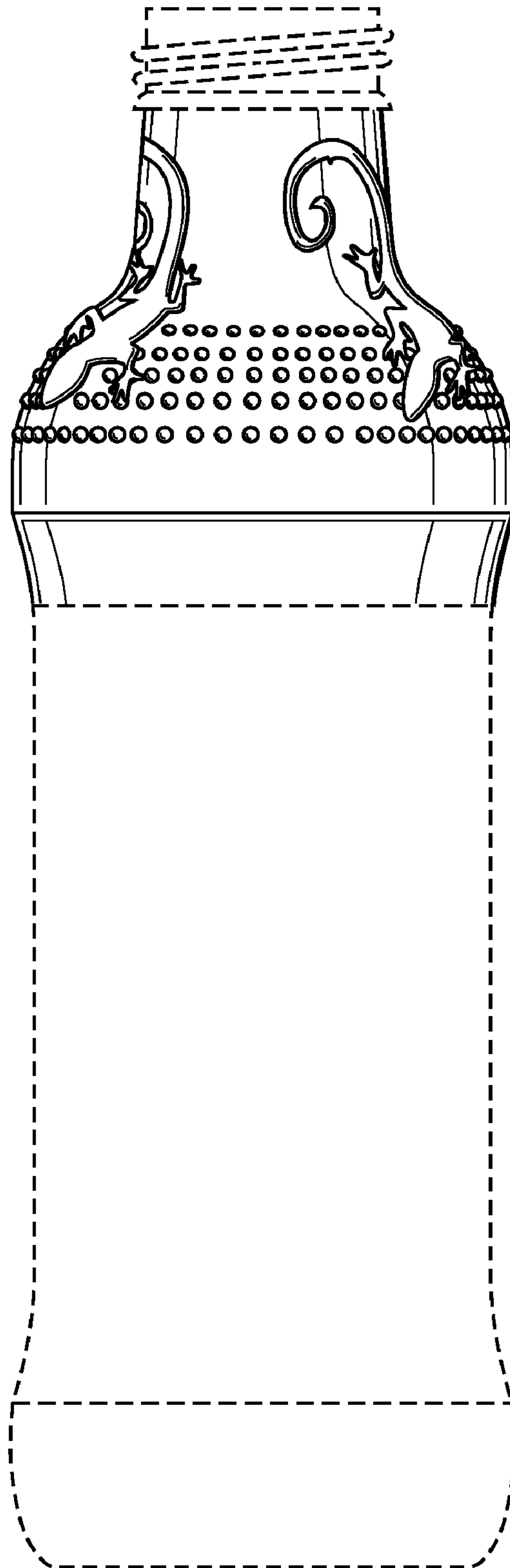


Fig. 5

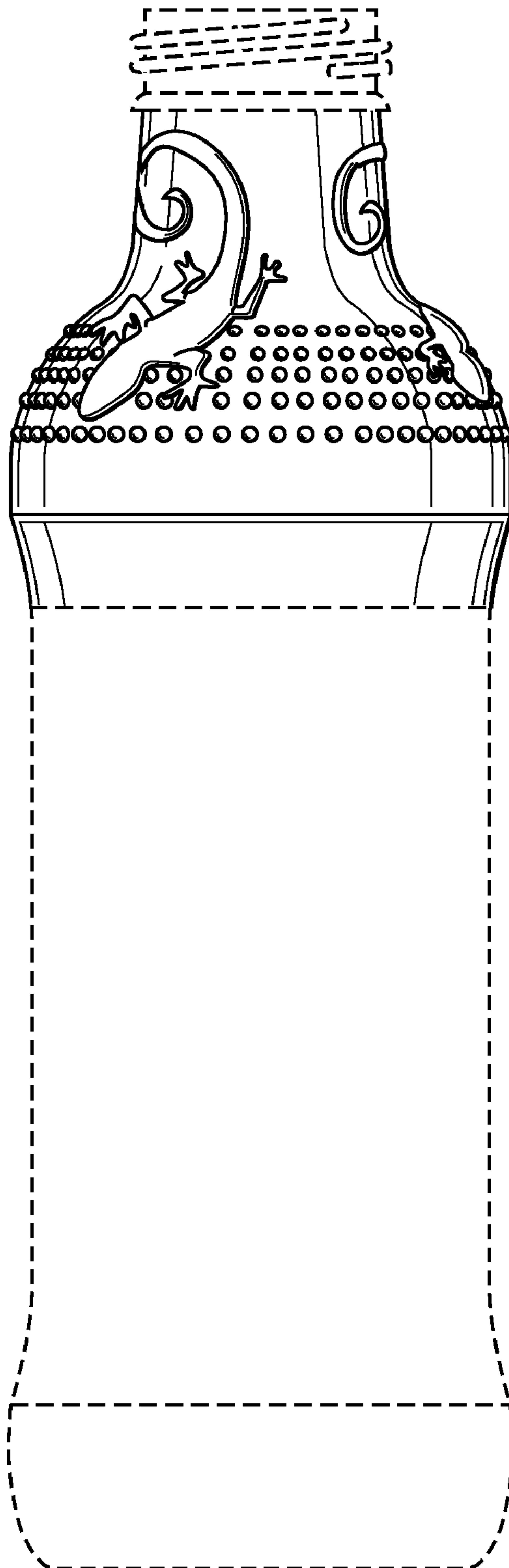


Fig. 6

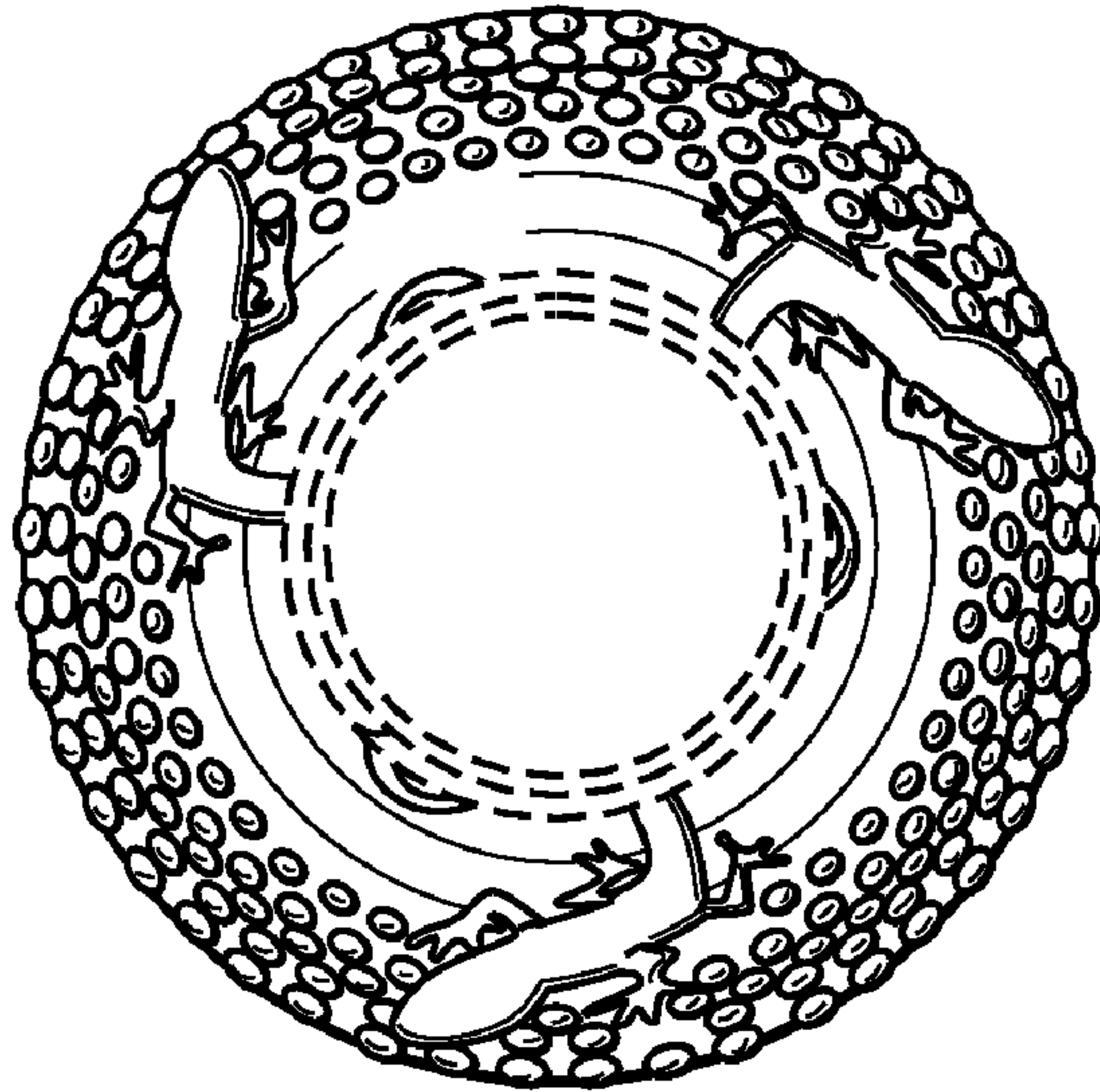


Fig. 7

