



US00D592956S

(12) **United States Design Patent**
Thiellier

(10) **Patent No.:** **US D592,956 S**
(45) **Date of Patent:** **** May 26, 2009**

(54) **CONTAINER**

HU D 0400107 3/2004

(75) Inventor: **Rutger Thiellier**, Chicago, IL (US)

OTHER PUBLICATIONS

(73) Assignee: **Philip Morris USA Inc.**, Richmond, VA (US)

Russian Office Action Issued in corresponding Application No. 2008500241 with English Translation dated Nov. 20, 2008.

(**) Term: **14 Years**

* cited by examiner

(21) Appl. No.: **29/300,019**

Primary Examiner—Ian Simmons
Assistant Examiner—Dana L Sipos

(22) Filed: **Feb. 8, 2008**

(74) *Attorney, Agent, or Firm*—Buchanan Ingersoll & Rooney PC

(51) **LOC (9) Cl.** **09-01**

(57) **CLAIM**

(52) **U.S. Cl.** **D9/504; D28/82**

(58) **Field of Classification Search** D9/50,
D9/502–505, 516, 549, 558, 682, 686, 688–692,
D9/537, 539, 545; D28/76, 78, 82; 215/379,
215/381–382; 220/660, 662, 669, 675
See application file for complete search history.

The ornamental design for a container, substantially as shown and described.

(56) **References Cited**

DESCRIPTION

U.S. PATENT DOCUMENTS

FIG. 1 is a top, front, right side perspective view of a container showing my new design;

FIG. 2 is a top plan view thereof;

- D28,413 S * 3/1898 Taite D9/504
- D373,220 S * 8/1996 Lund et al. D28/77
- D388,549 S * 12/1997 Mouyiaris et al. D28/82
- D402,412 S * 12/1998 Thorpe D28/82
- D432,722 S * 10/2000 Wardlaw D28/76
- D449,523 S * 10/2001 Kaplan D9/428
- D460,692 S * 7/2002 Cumberbatch D9/500
- D473,345 S * 4/2003 Thorpe D28/82
- D494,474 S * 8/2004 Houk et al. D9/504
- D496,759 S * 9/2004 Rodriguez D28/82
- D506,128 S * 6/2005 Foi D9/715
- D512,636 S * 12/2005 Pace D9/504

FIG. 3 is a cross-section view thereof taken along the line 3—3 in FIG. 2;

FIG. 4 is a top, front perspective view thereof;

FIG. 5 is a top, front perspective view thereof, showing the container in an open configuration;

FIG. 6 is an exploded top perspective view thereof, showing the inside details of the container;

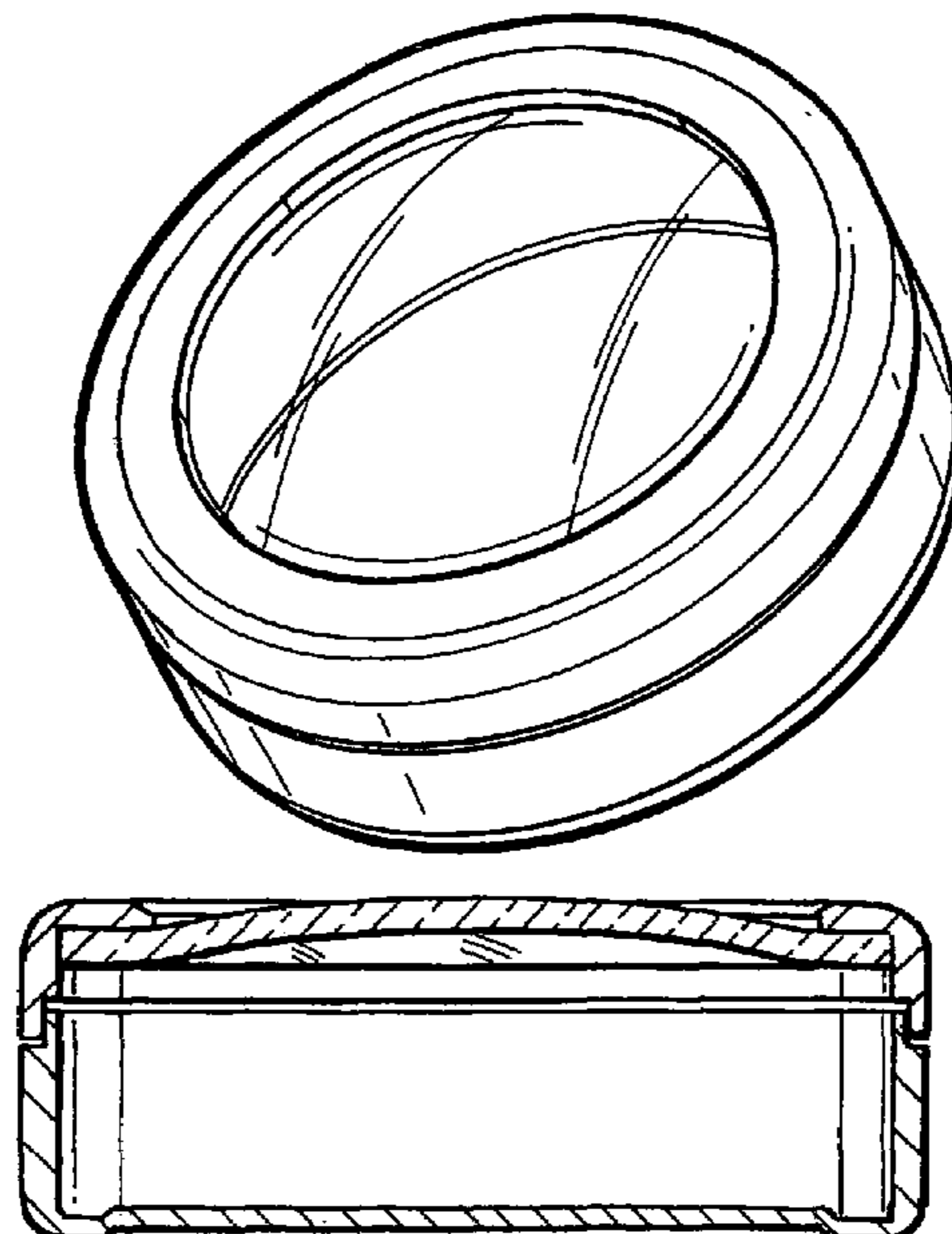
FIG. 7 is a bottom plan view of the container in the closed configuration; and,

FIG. 8 is a slight top, front perspective view thereof.

FOREIGN PATENT DOCUMENTS

EM 621636-0001 12/2006

1 Claim, 4 Drawing Sheets



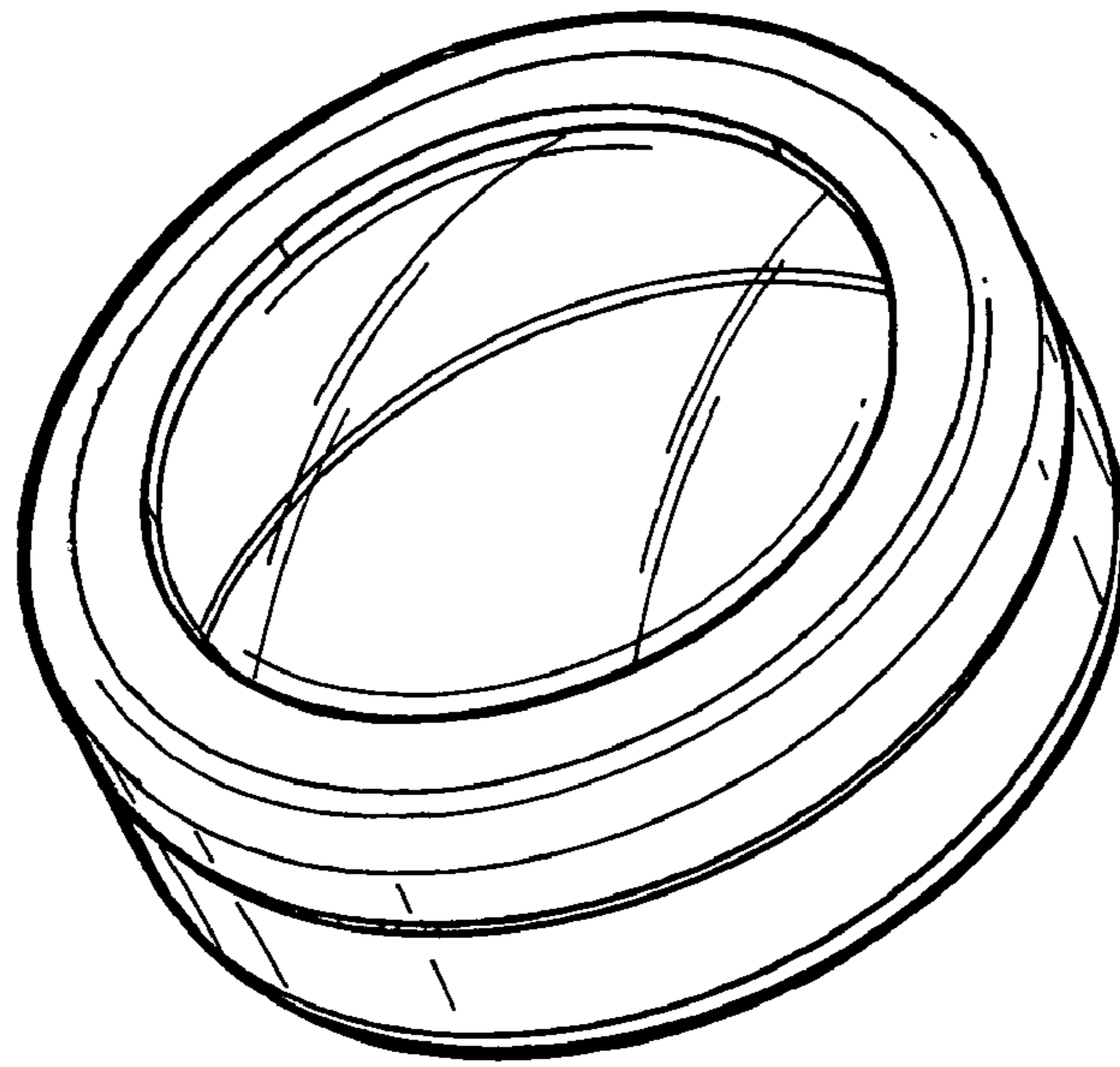


FIG. 1

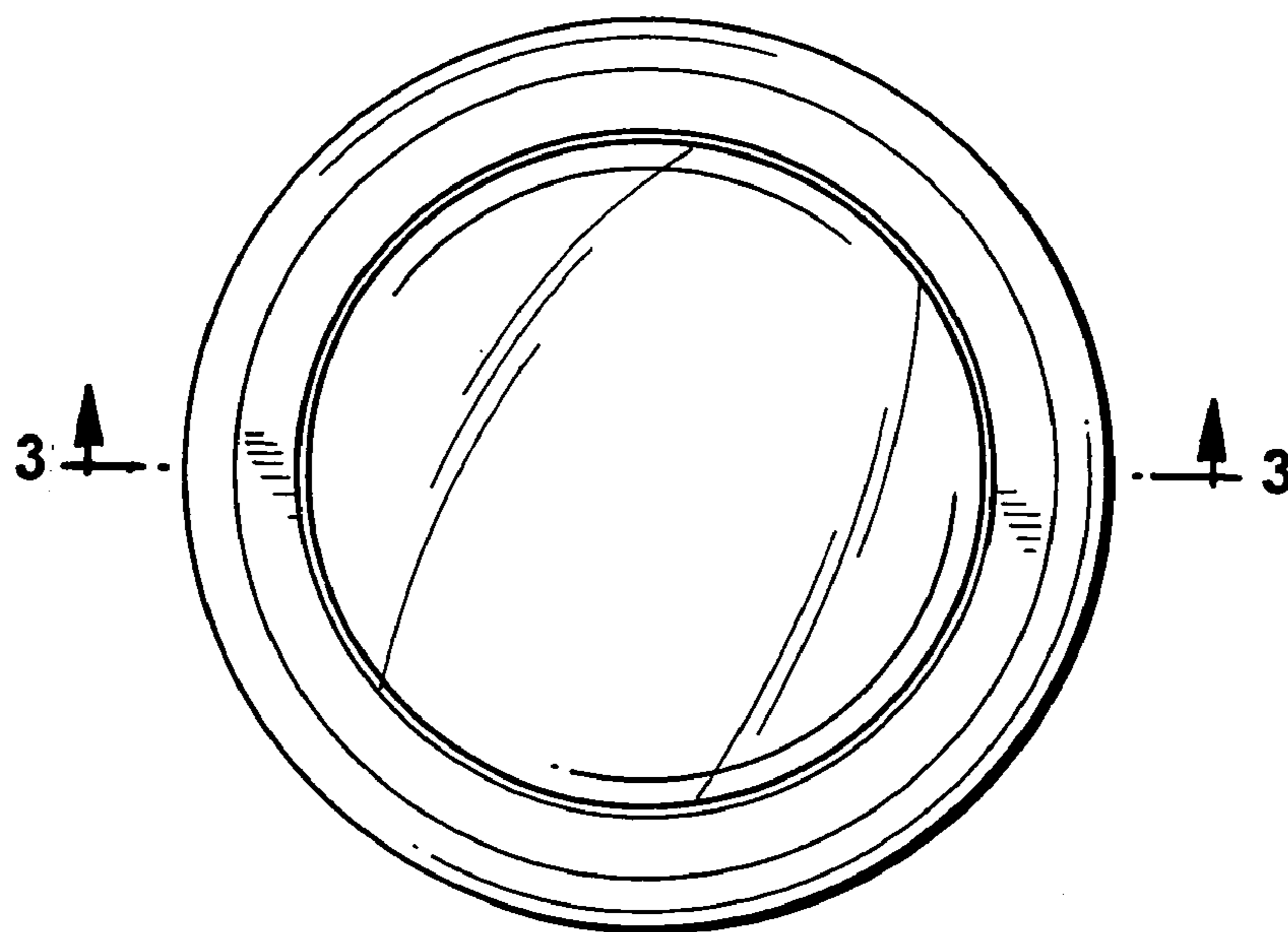


FIG. 2

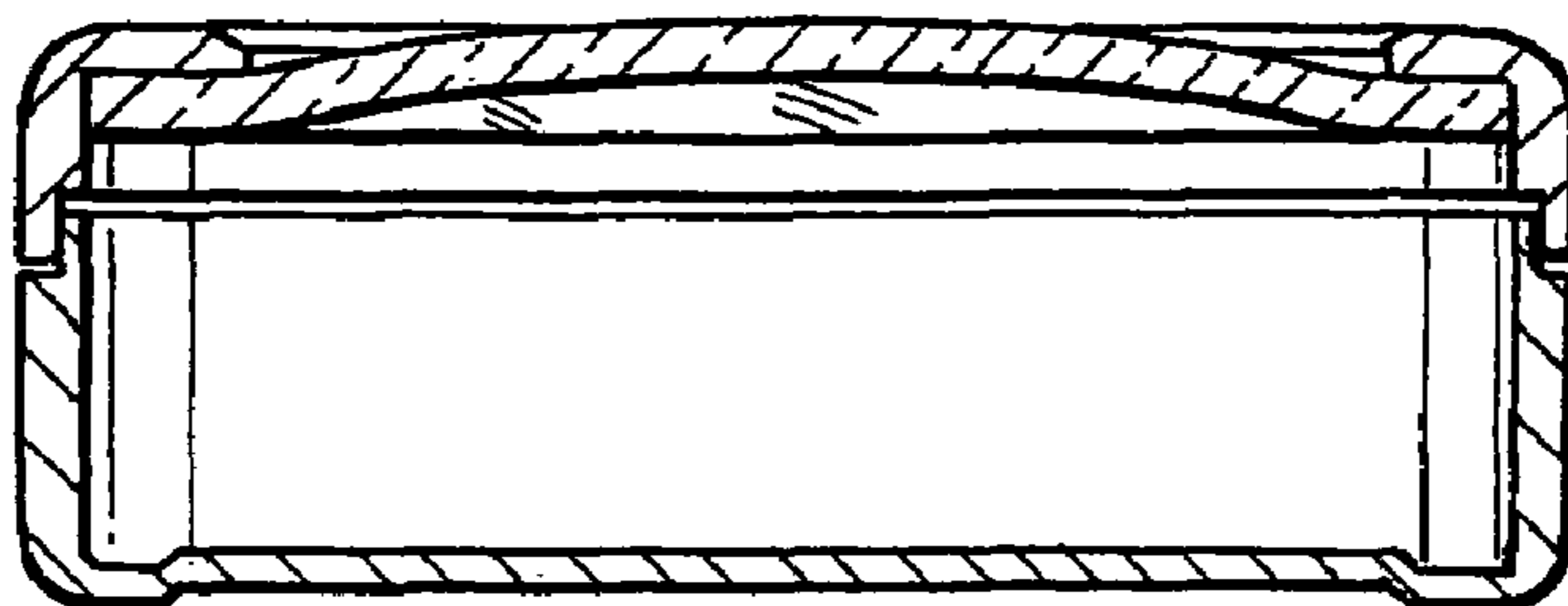


FIG. 3

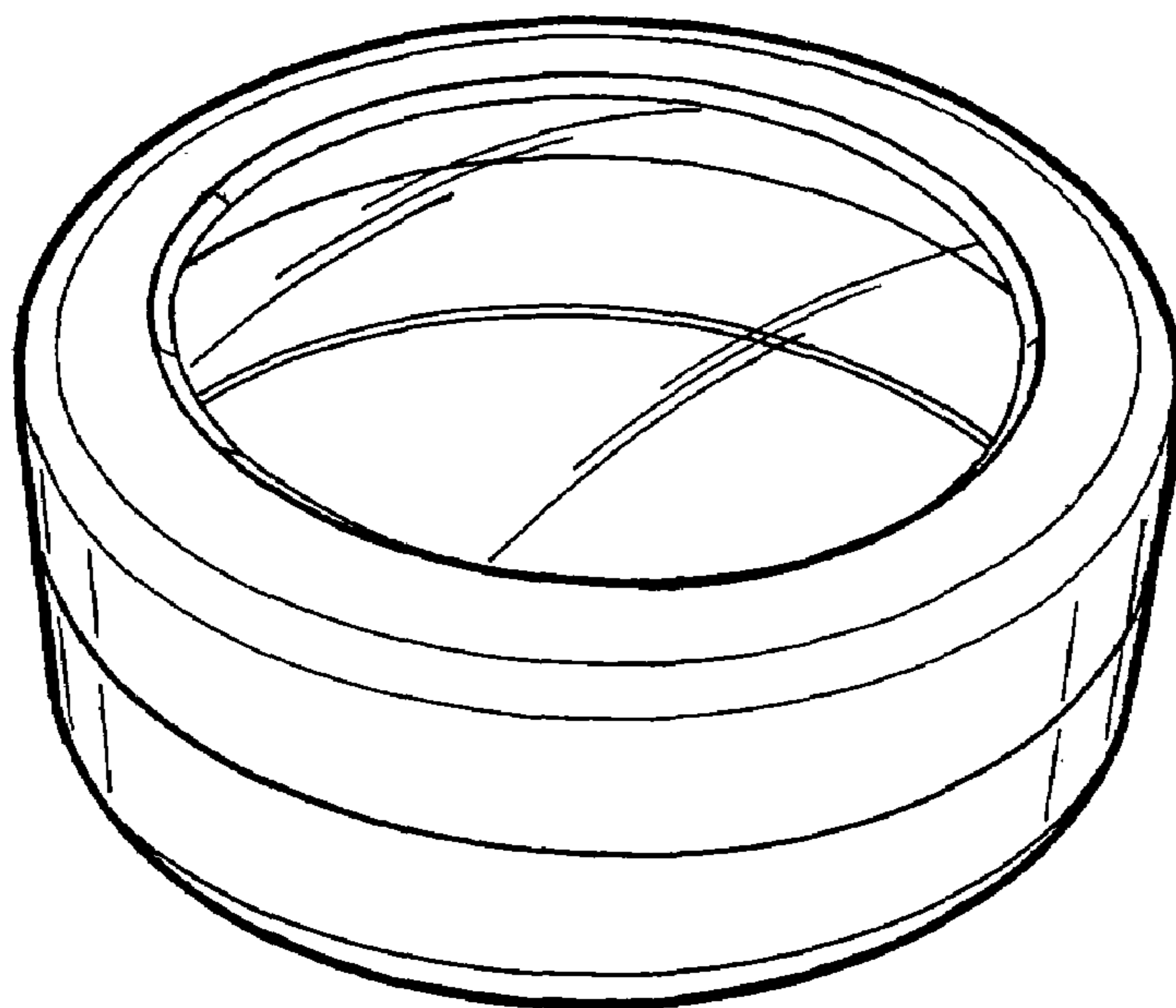


FIG. 4

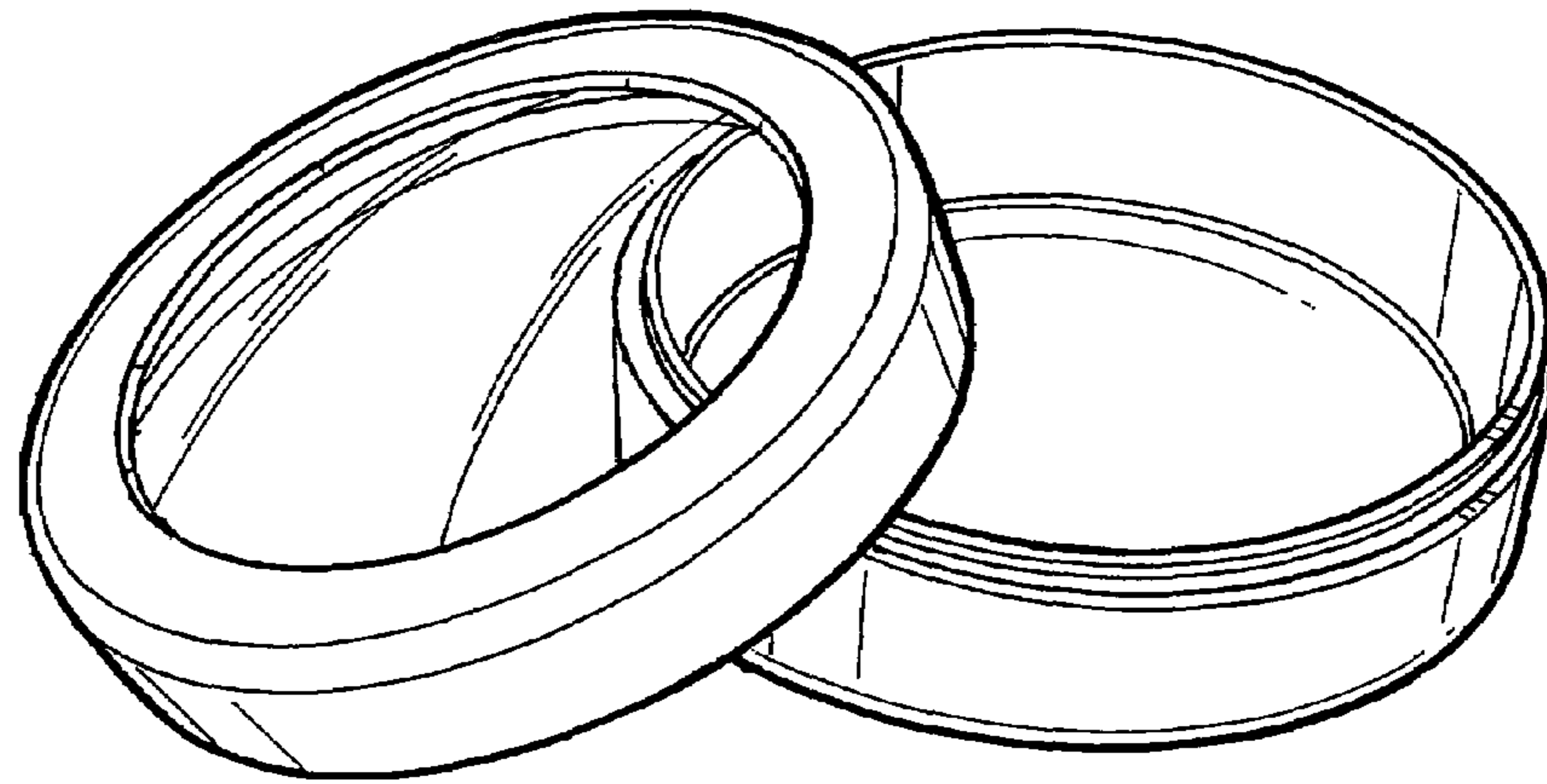


FIG. 5

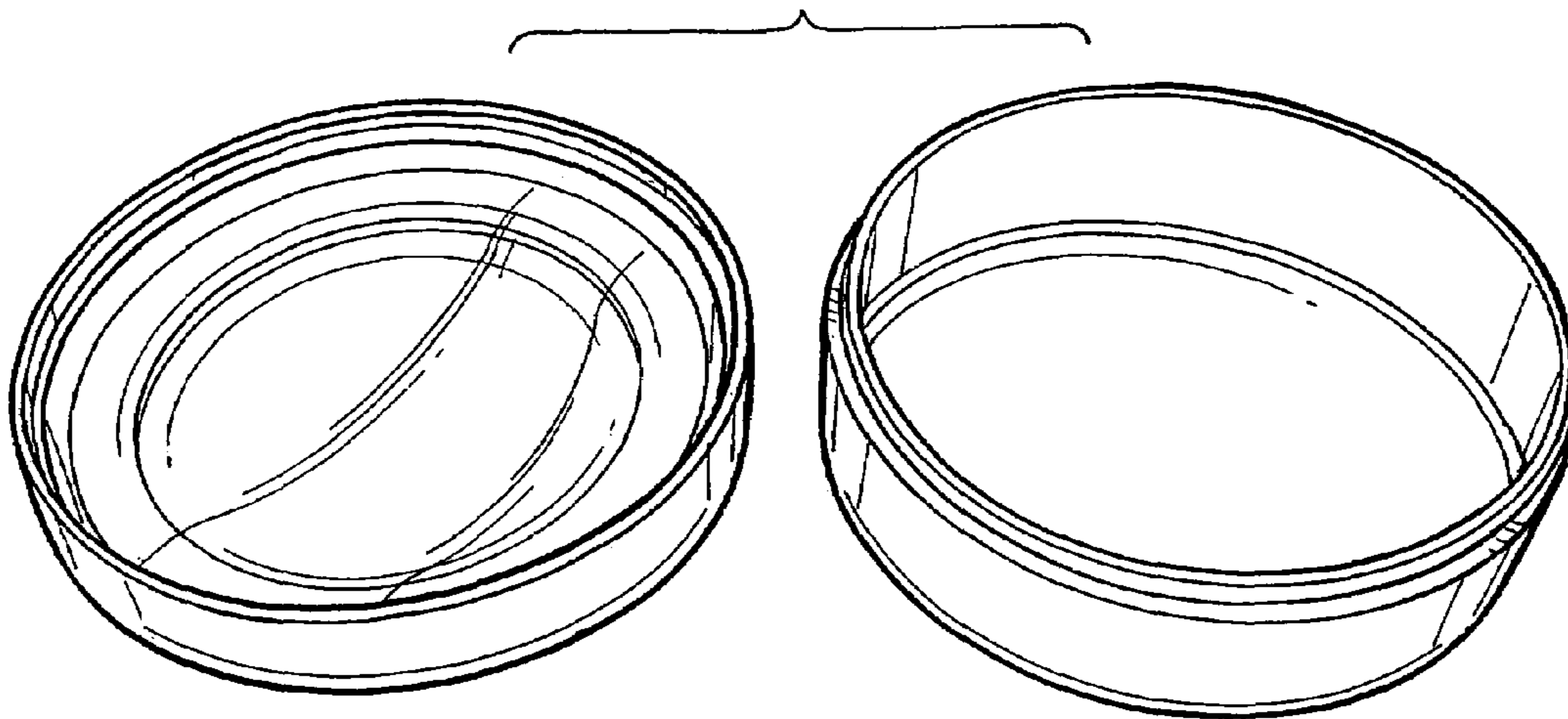


FIG. 6

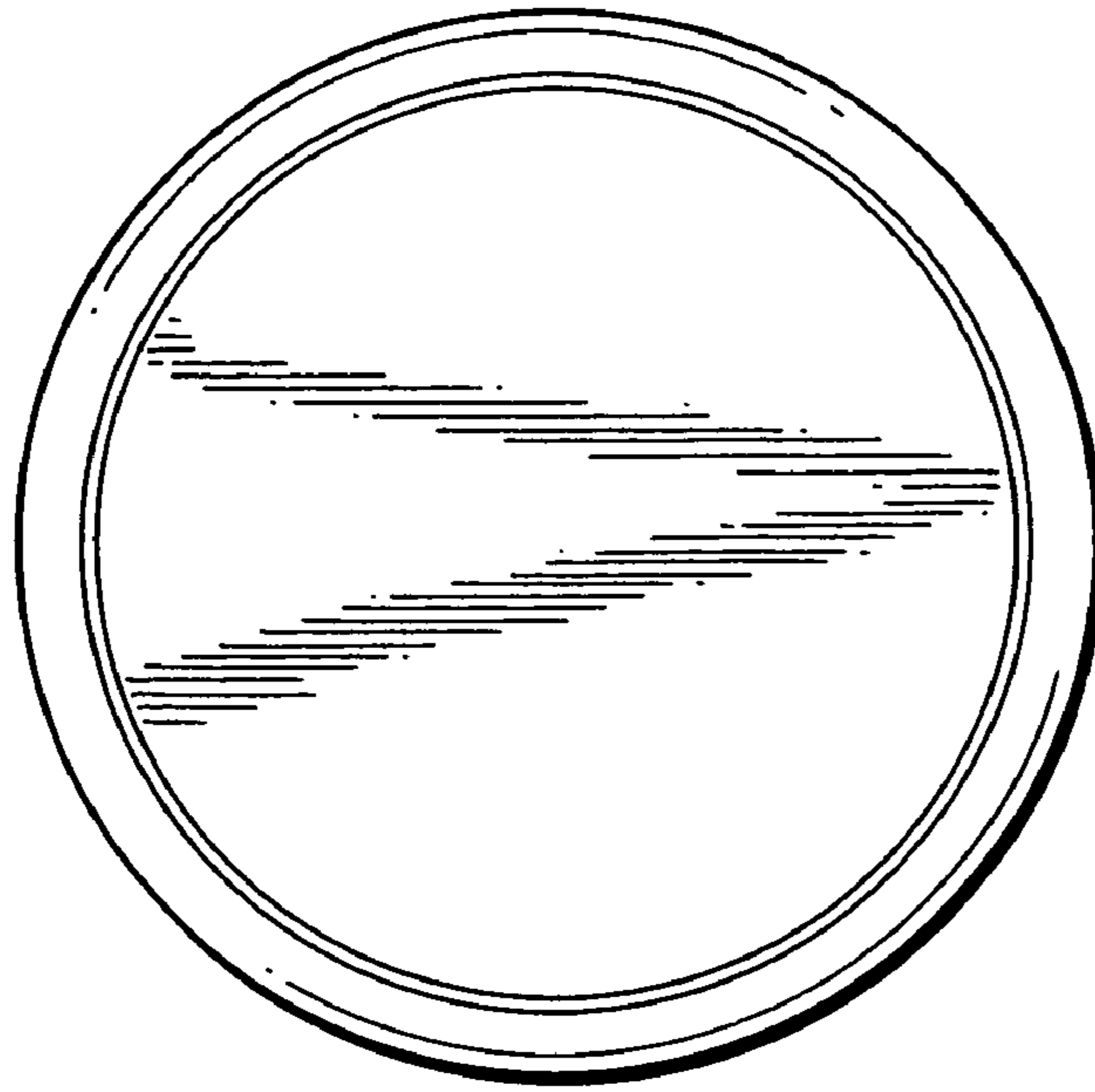


FIG. 7

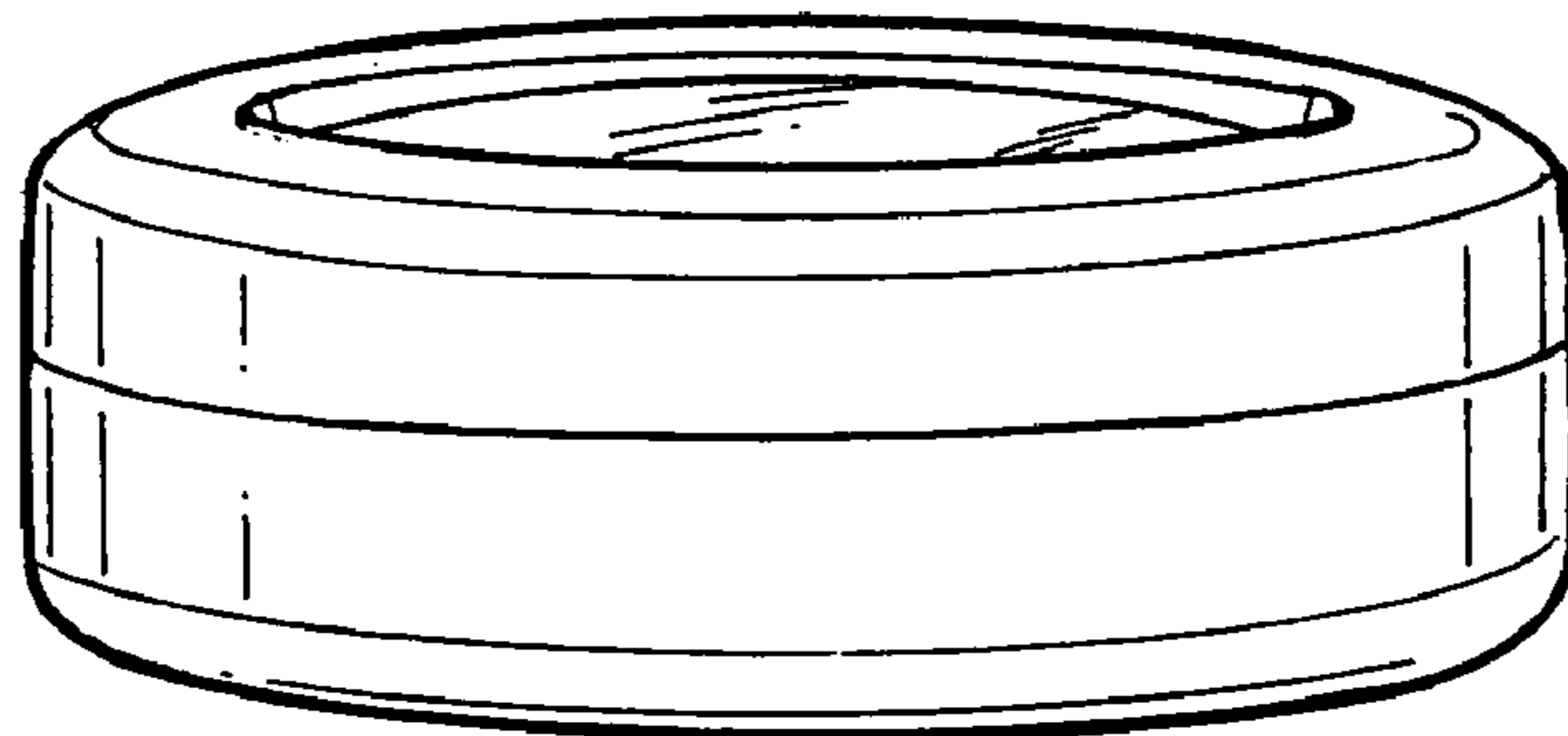


FIG. 8