



US00D592954S

(12) **United States Design Patent**  
**Capretta et al.**

(10) **Patent No.:** **US D592,954 S**

(45) **Date of Patent:** **\*\* May 26, 2009**

(54) **CONTAINER LID**

(75) Inventors: **Dominic P. Capretta**, Lancaster, OH  
(US); **Galen G. German**, Somerset, OH  
(US)

(73) Assignee: **Crown Packaging Technology, Inc.**,  
Alsip, IL (US)

(\*\*) Term: **14 Years**

(21) Appl. No.: **29/297,584**

(22) Filed: **Nov. 14, 2007**

(51) **LOC (9) Cl.** ..... **09-07**

(52) **U.S. Cl.** ..... **D9/453; D9/454**

(58) **Field of Classification Search** ..... D9/505,  
D9/453, 452, 449, 446, 434, 435; D24/121;  
D12/197; 220/780, 781, 288, 254.3; 215/329,  
215/252, 237, 230, 216; 600/577  
See application file for complete search history.

(56) **References Cited**

**U.S. PATENT DOCUMENTS**

|           |   |   |         |             |       |         |
|-----------|---|---|---------|-------------|-------|---------|
| D184,083  | S | * | 12/1958 | White       | ..... | D9/453  |
| 3,128,903 | A | * | 4/1964  | Brewer      | ..... | 220/781 |
| 3,369,689 | A |   | 2/1968  | Dodge       |       |         |
| 4,730,745 | A |   | 3/1988  | Perry       |       |         |
| 5,341,949 | A |   | 8/1994  | Hayes       |       |         |
| D358,769  | S | * | 5/1995  | Luch et al. | ..... | D9/453  |
| 5,566,854 | A |   | 10/1996 | Rojek       |       |         |
| 5,881,897 | A |   | 3/1999  | Rojek       |       |         |

|              |    |   |         |                   |       |         |
|--------------|----|---|---------|-------------------|-------|---------|
| D407,978     | S  | * | 4/1999  | Petro             | ..... | D9/453  |
| D458,138     | S  | * | 6/2002  | Fuchs             | ..... | D9/453  |
| D513,181     | S  | * | 12/2005 | Bloom et al.      | ..... | D9/453  |
| D516,911     | S  | * | 3/2006  | Bloom et al.      | ..... | D9/453  |
| D572,131     | S  | * | 7/2008  | Berman            | ..... | D9/453  |
| D573,022     | S  | * | 7/2008  | Berman            | ..... | D9/453  |
| 2002/0037378 | A1 | * | 3/2002  | Littlejohn et al. | ..... | 220/780 |

\* cited by examiner

*Primary Examiner*—Susan Bennett Hattan

(74) *Attorney, Agent, or Firm*—Knoble, Yoshida & Dunleavy,  
LLC

(57) **CLAIM**

The ornamental design for a “container lid,” as shown and described.

**DESCRIPTION**

FIG. 1 is a perspective view showing my new design;

FIG. 2 is a top plan view;

FIG. 3 is a bottom top plan view

FIG. 4 is a first side elevational view;

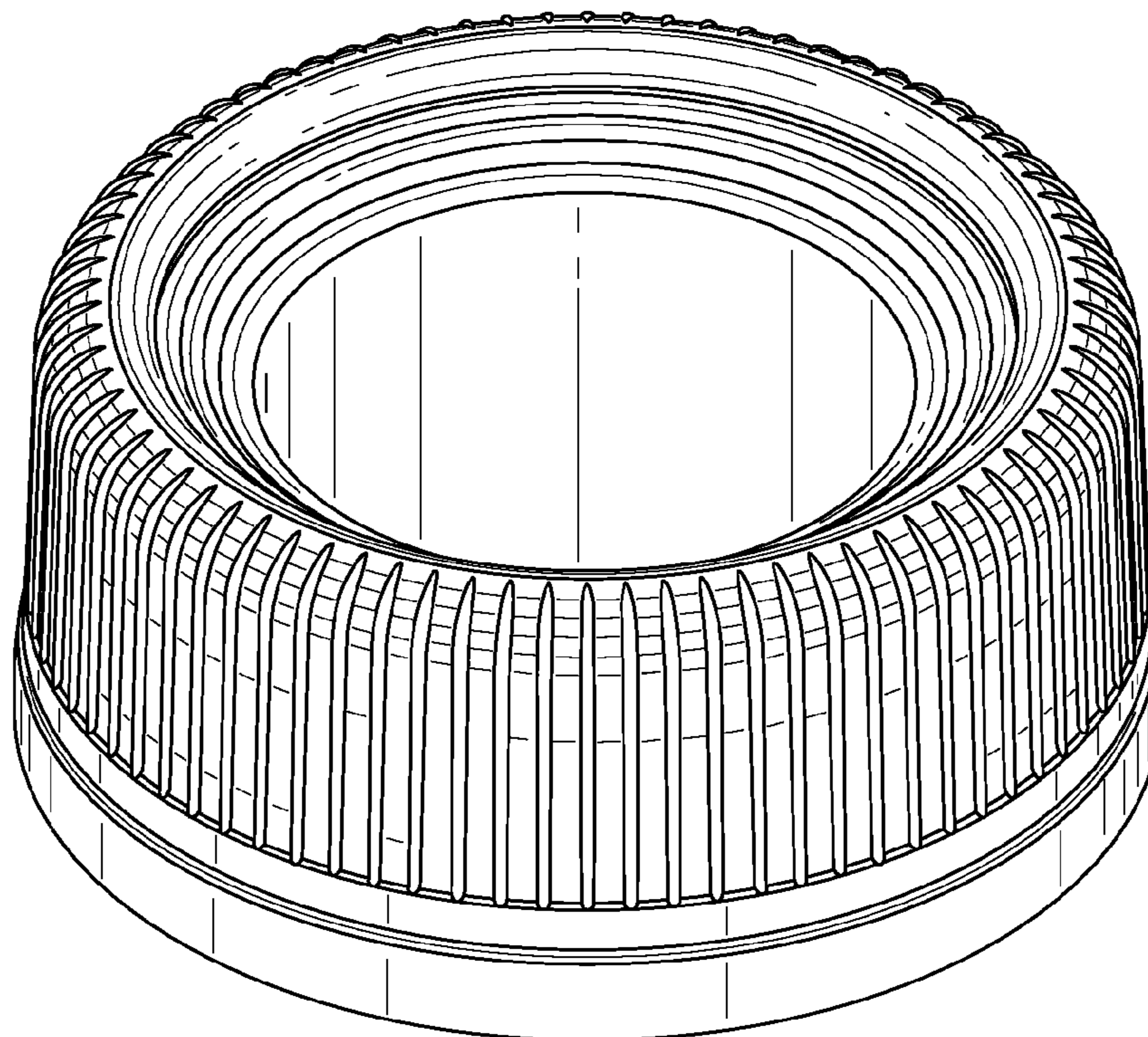
FIG. 5 is a second side elevational view;

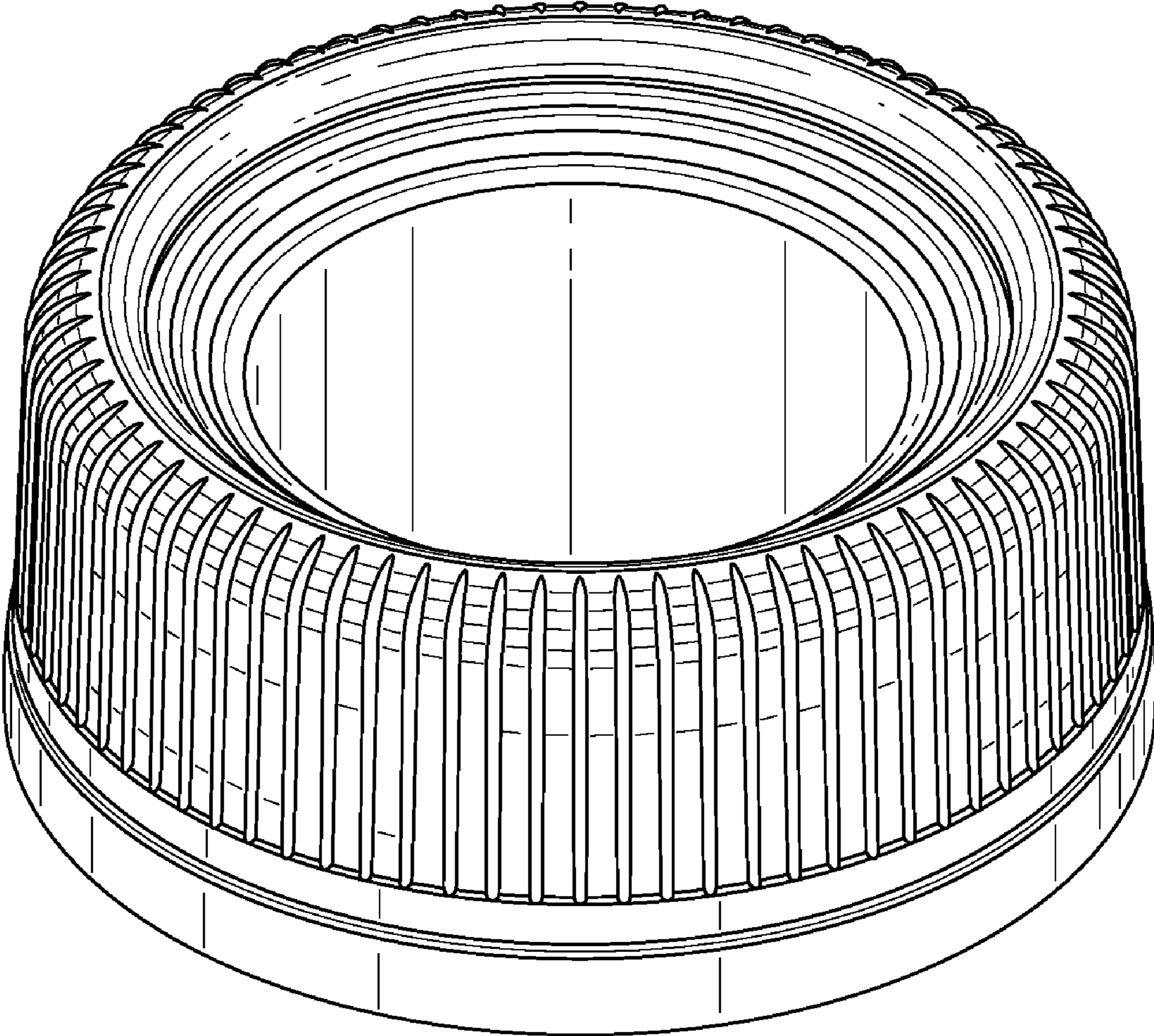
FIG. 6 is a front elevational view; and,

FIG. 7 is a rear elevational view.

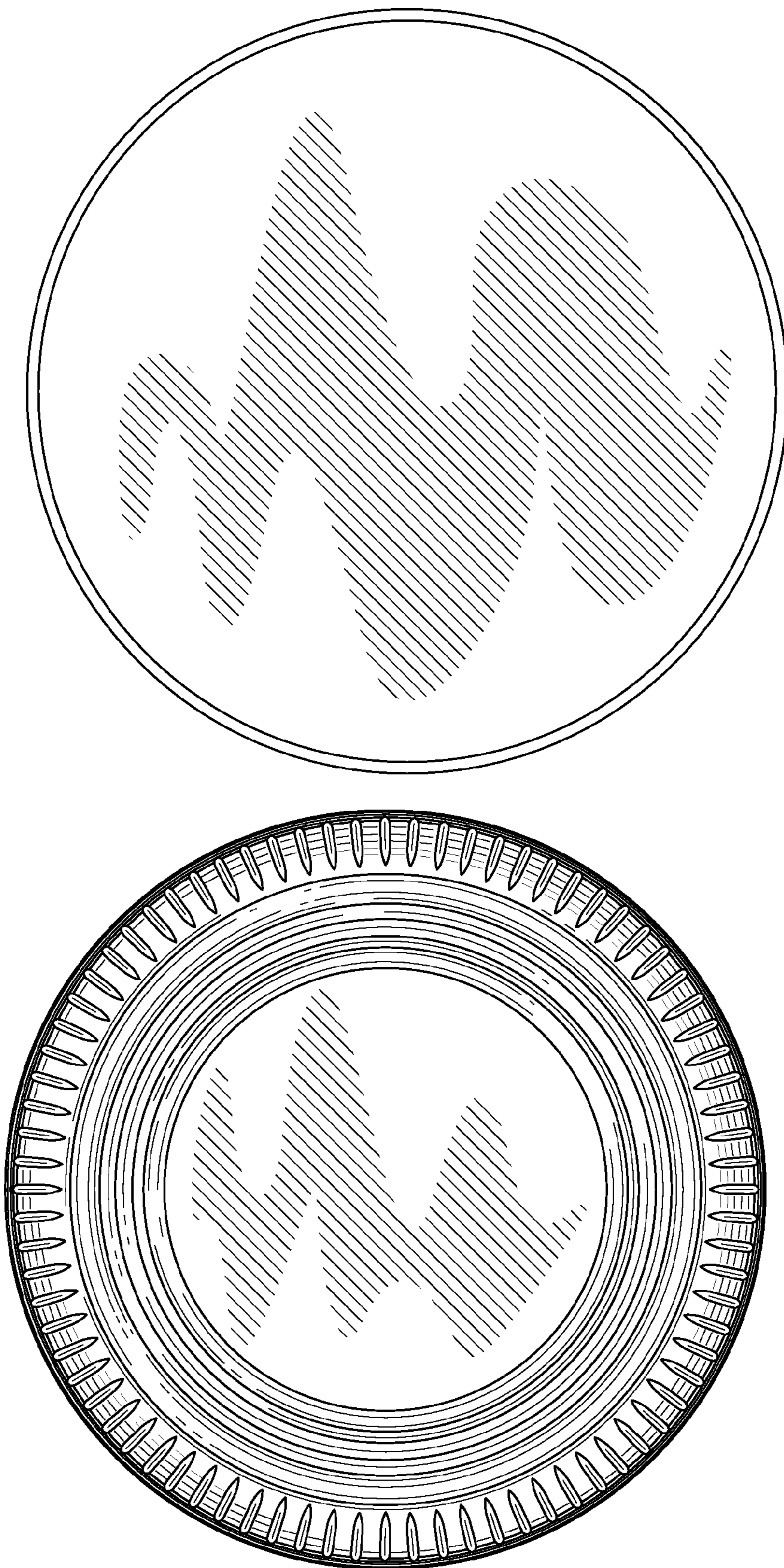
Any broken lines in the drawings depict probable environment only and form no part of the claimed design.

**1 Claim, 4 Drawing Sheets**



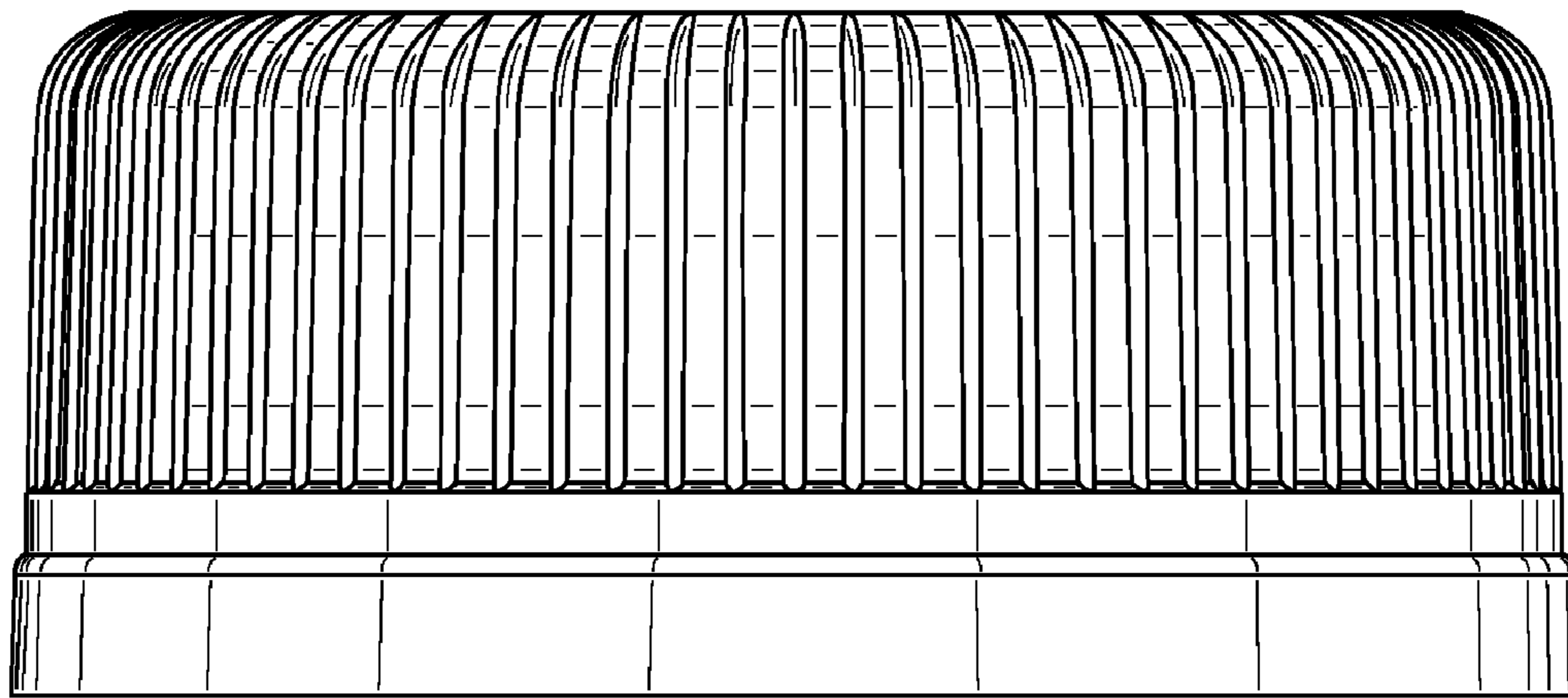


**FIG. 1**

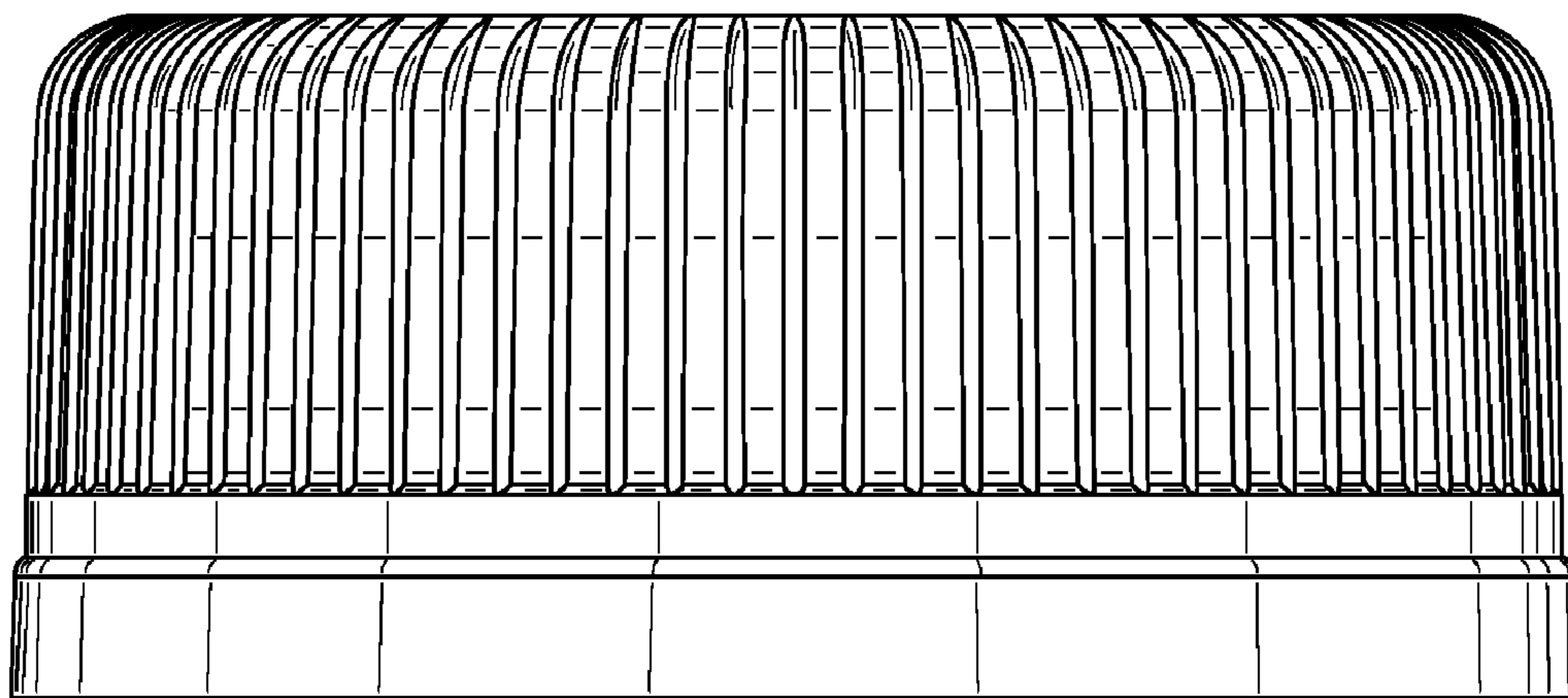


**FIG. 3**

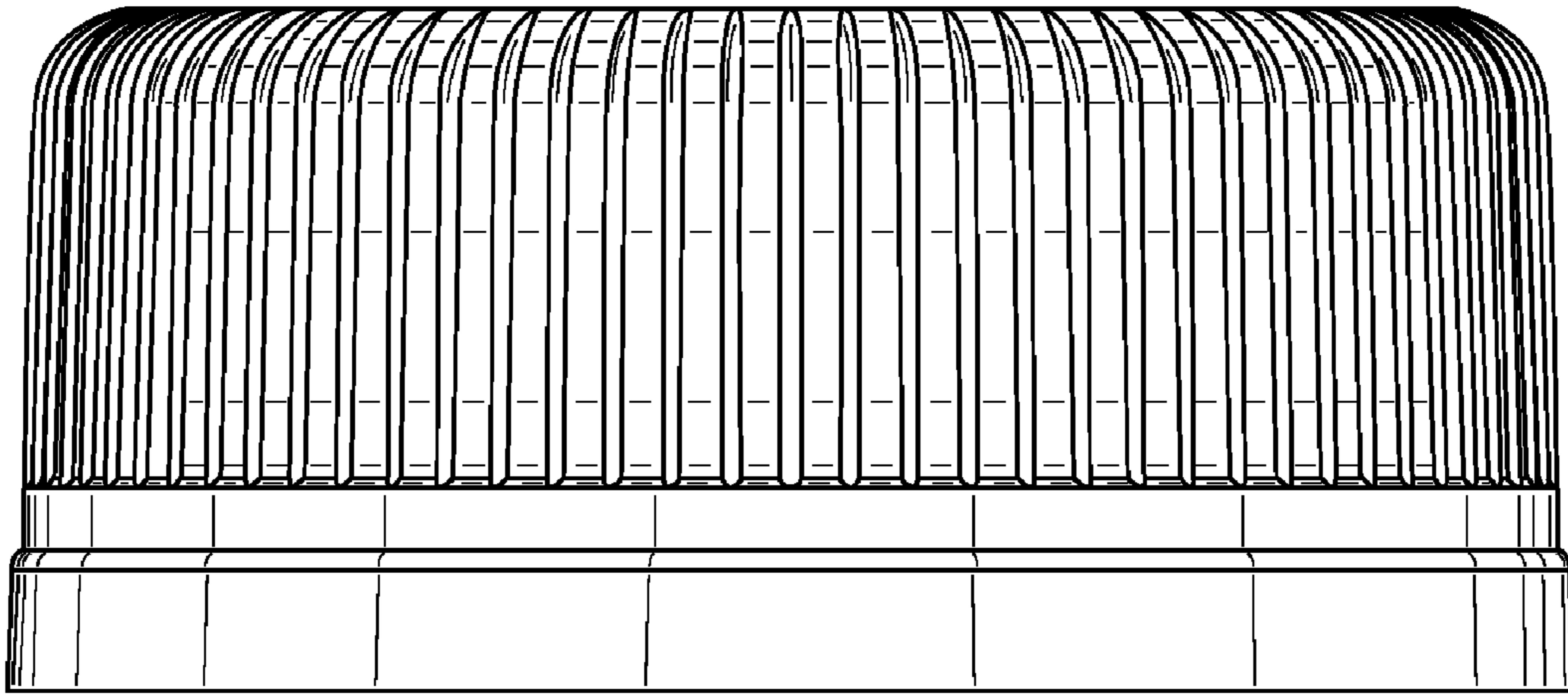
**FIG. 2**



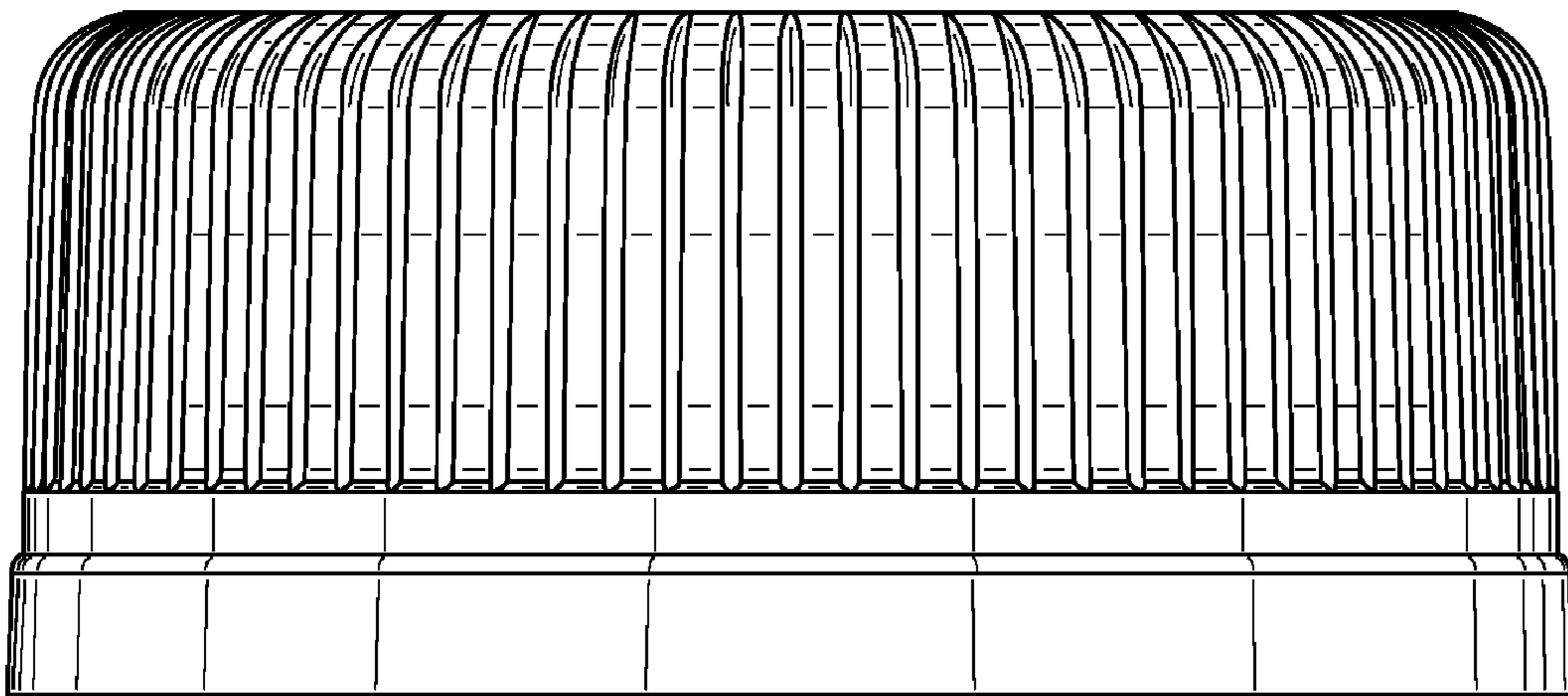
**FIG. 4**



**FIG. 5**



**FIG. 6**



**FIG. 7**