



US00D592953S

(12) **United States Design Patent**
Becker

(10) **Patent No.:** **US D592,953 S**

(45) **Date of Patent:** **** May 26, 2009**

(54) **SPRAY CAN ATTACHMENT**

(75) Inventor: **Kenneth Jay Becker**, Talent, OR (US)

(73) Assignee: **SafeWorld International, Inc.**, Ashland, OR (US)

(**) Term: **14 Years**

(21) Appl. No.: **29/317,474**

(22) Filed: **Apr. 30, 2008**

(51) **LOC (9) Cl.** **09-07**

(52) **U.S. Cl.** **D9/448**

(58) **Field of Classification Search** D0/686,
D0/685, 682, 448; D8/51; D23/226, 213;
417/411; 401/190; 239/337, 120; 222/402.11,
222/383.3, 383.1, 323, 179.5, 109, 1
See application file for complete search history.

(56) **References Cited**

U.S. PATENT DOCUMENTS

2,830,742	A *	4/1958	Gibbons et al.	222/323
4,805,812	A *	2/1989	Brody	222/402.11
5,086,954	A *	2/1992	Brody	222/402.11
D355,824	S *	2/1995	Smrt	D8/51
D363,200	S *	10/1995	Witzky et al.	D8/51
6,029,862	A *	2/2000	Jones	222/402.11
D458,984	S *	6/2002	Chen	D23/226
D475,121	S *	5/2003	Kuo	D23/226
D541,610	S *	5/2007	Segroveys	D8/51
2004/0028458	A1 *	2/2004	Heathcock et al.	401/190

* cited by examiner

Primary Examiner—Susan Bennett Hattan
(74) *Attorney, Agent, or Firm*—Hartman & Hartman, P.C.; Gary M. Hartman; Domenica N. S. Hartman

(57) **CLAIM**

The ornamental design for a spray can attachment, as shown and described.

DESCRIPTION

FIG. 1 is a perspective view of a spray can attachment in accordance with this invention.

FIG. 2 is a second perspective view of the spray can attachment of FIG. 1.

FIG. 3 is a left side view of the spray can attachment of FIG. 1.

FIG. 4 is a top view of the spray can attachment of FIG. 1.

FIG. 5 is a bottom view of the spray can attachment of FIG. 1.

FIG. 6 is a right side view of the spray can attachment of FIG. 1.

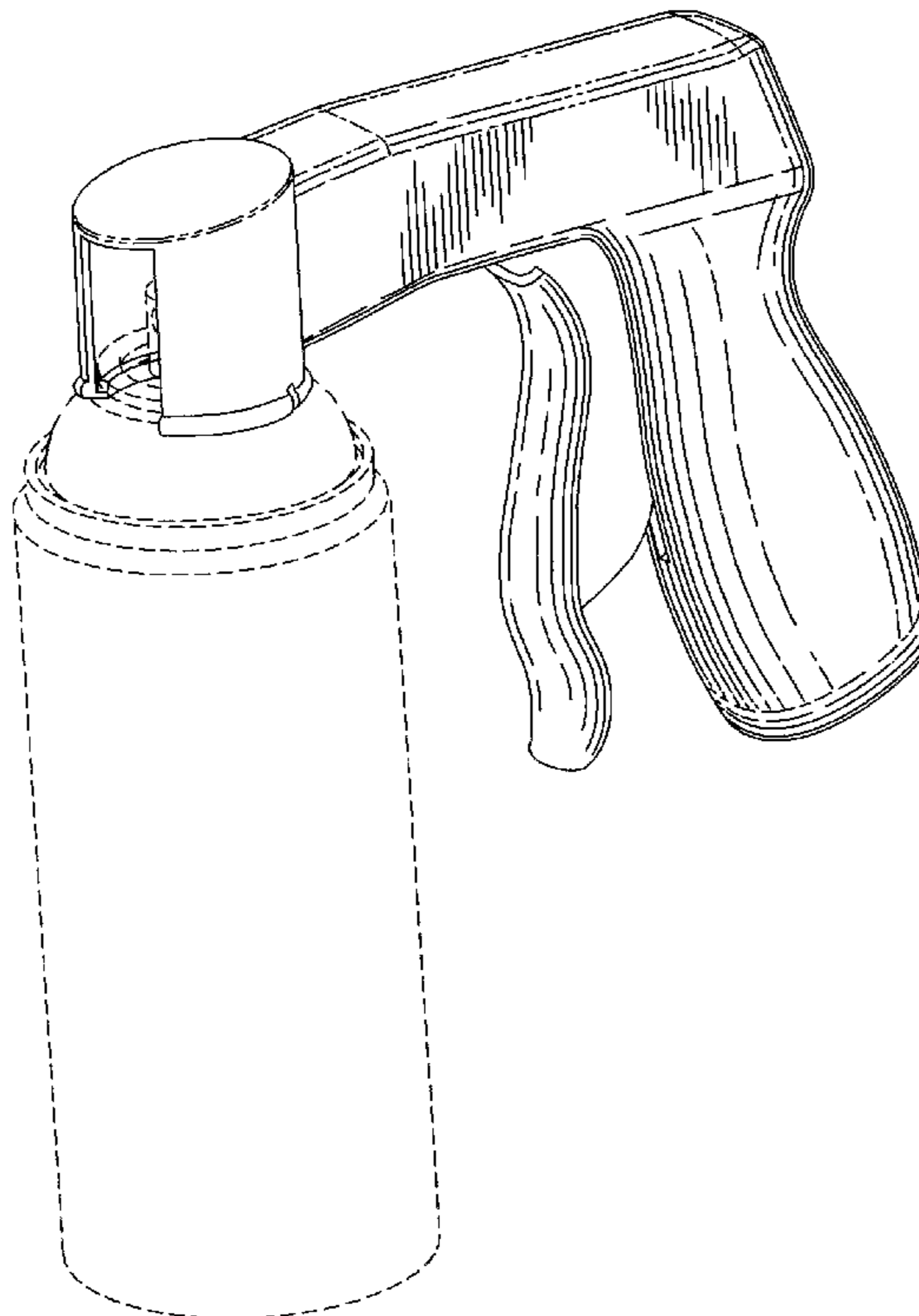
FIG. 7 is a front view of the spray can attachment of FIG. 1; and,

FIG. 8 is a rear view of the spray can attachment of FIG. 1.

The broken line representation of a spray can in FIG. 1 represents environmental structure forming no part of the claimed design.

The broken line representations of the inside of the spray can attachment in FIGS. 5 and 7 depict environmental subject matter only and form no part of the claimed design.

1 Claim, 3 Drawing Sheets



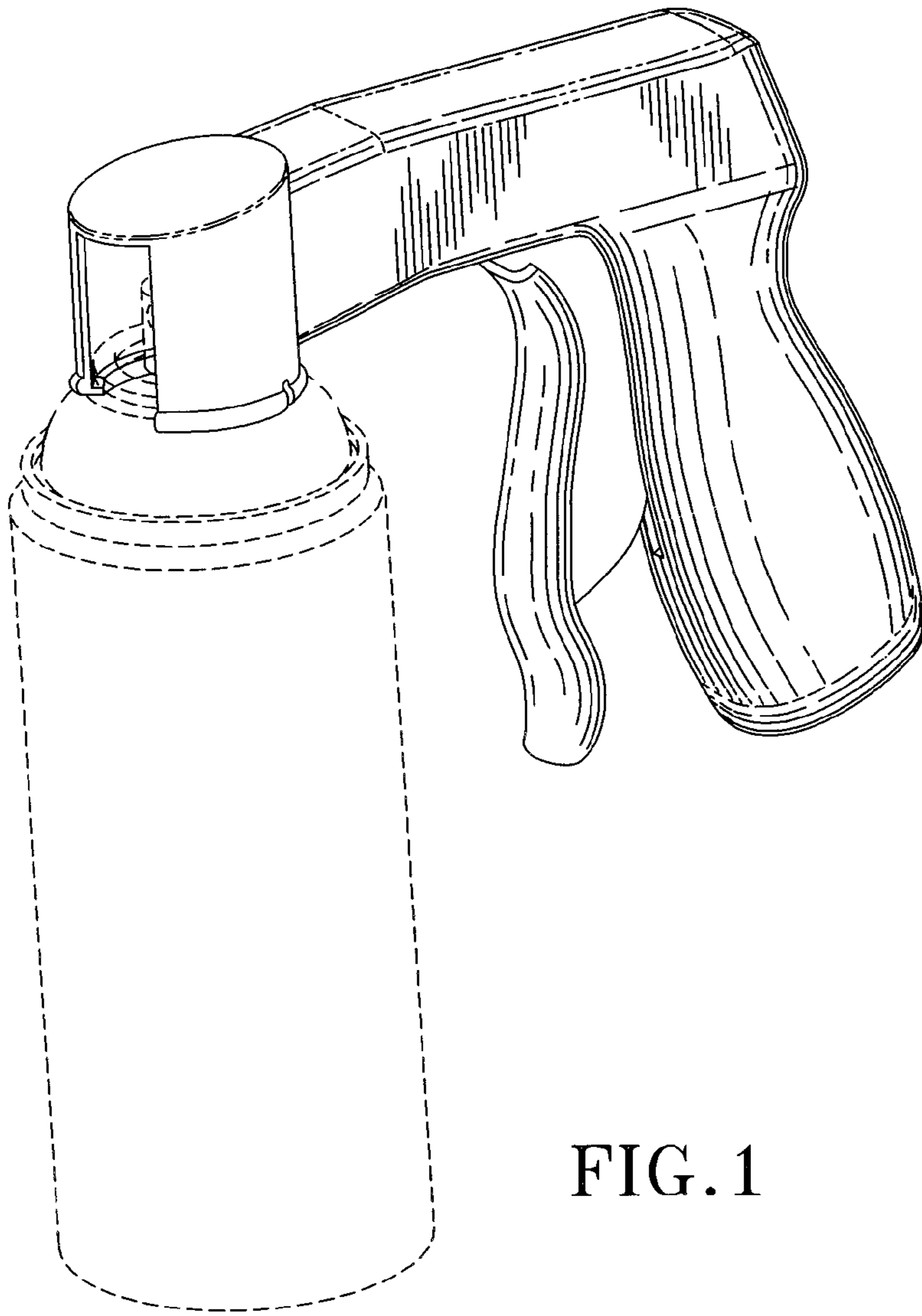


FIG. 1

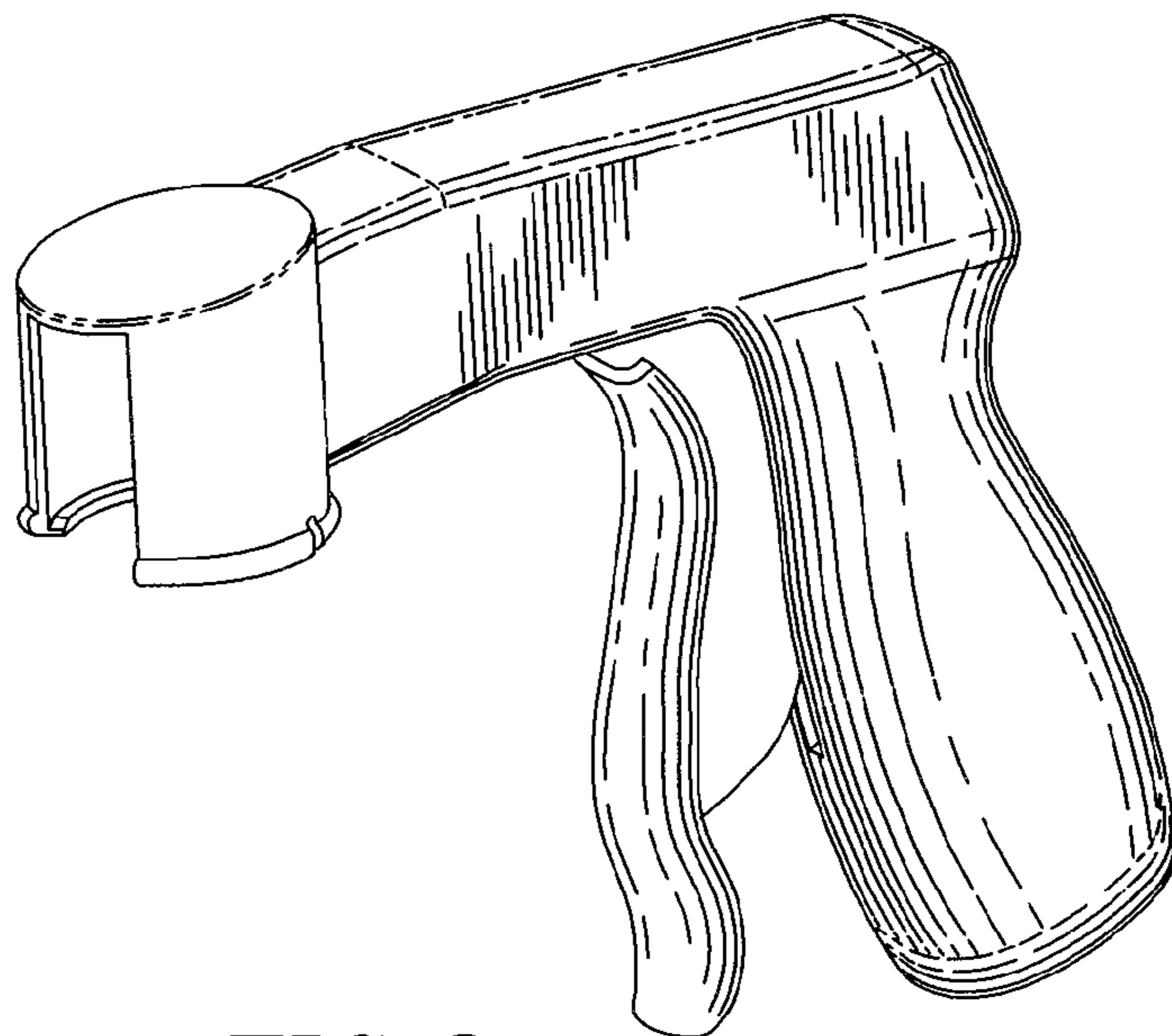


FIG. 2

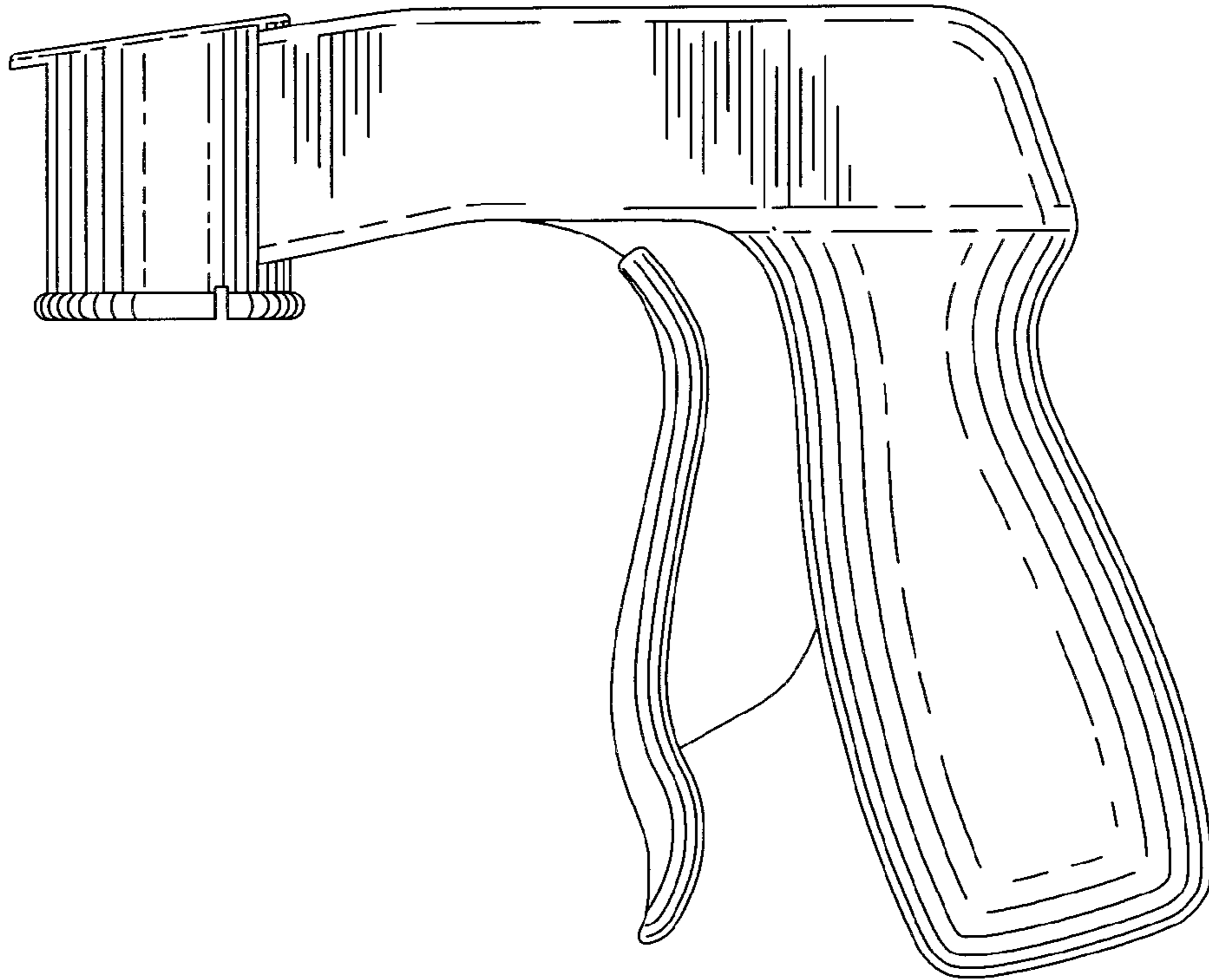


FIG. 3

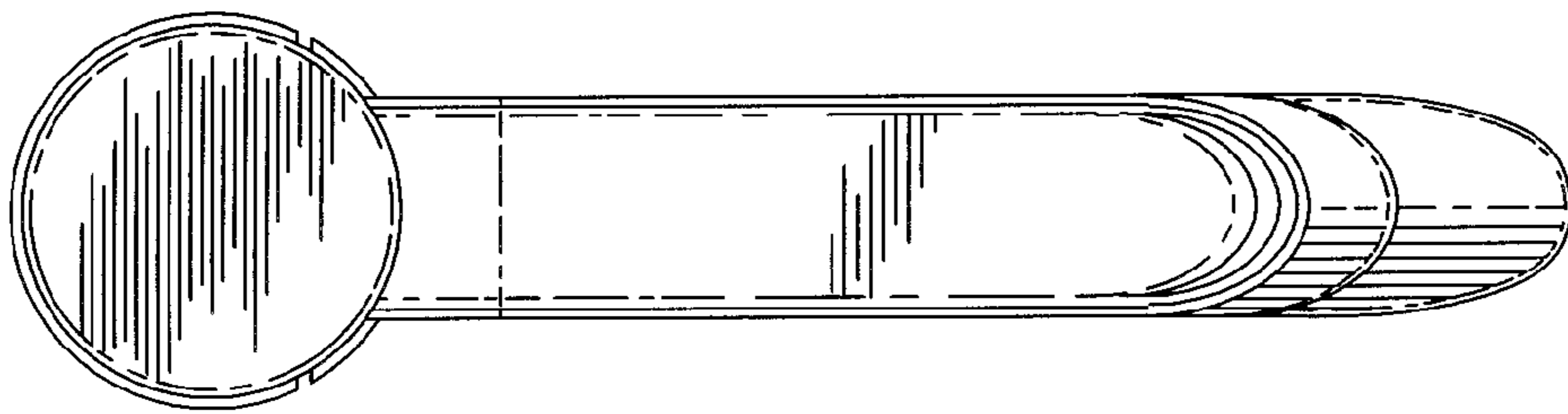


FIG. 4

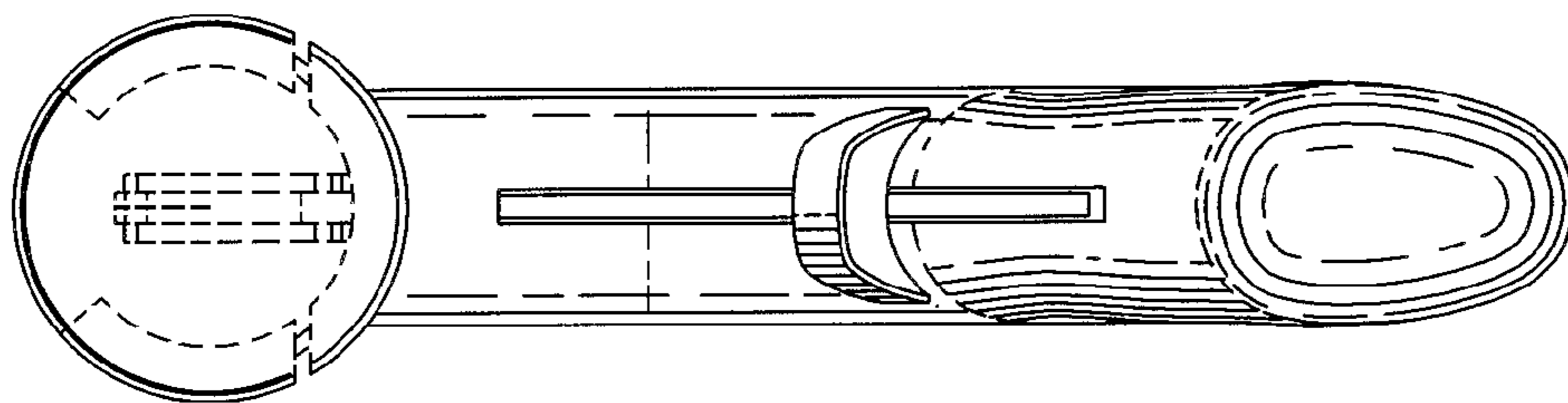


FIG. 5

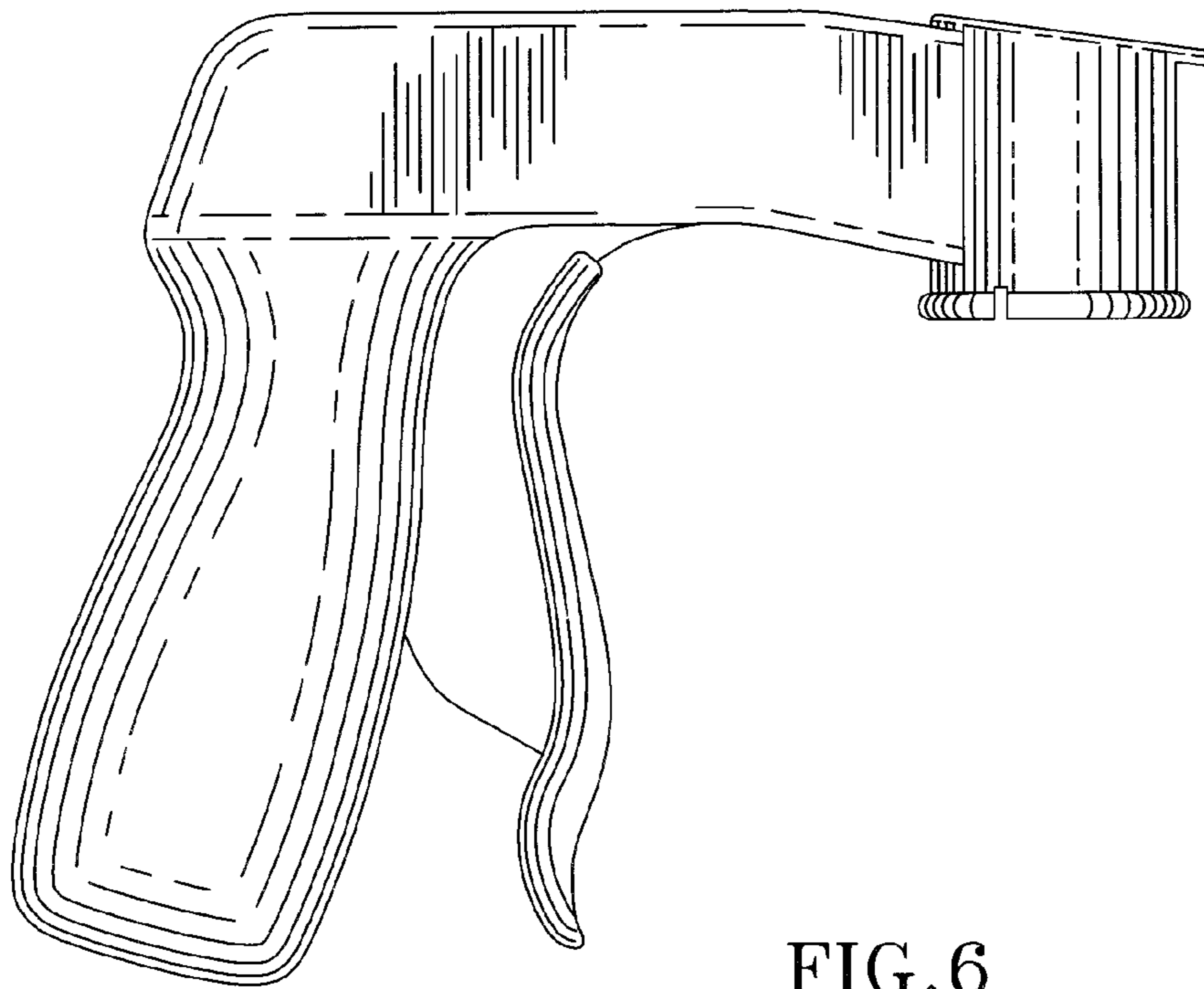


FIG. 6

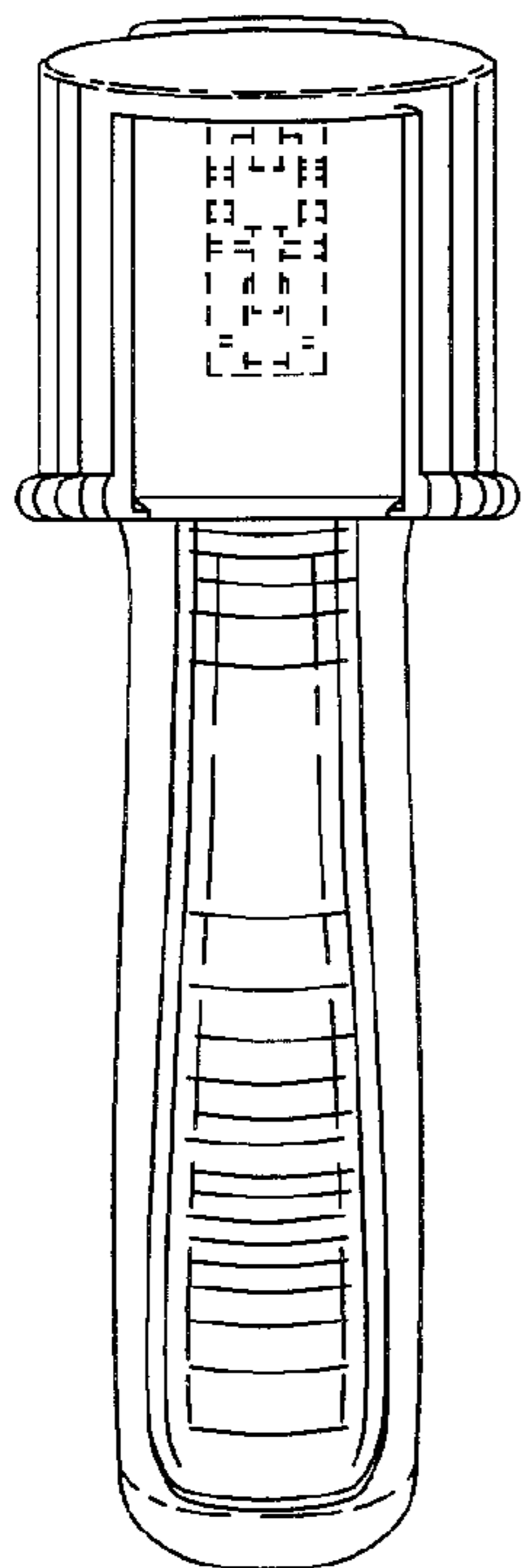


FIG. 7

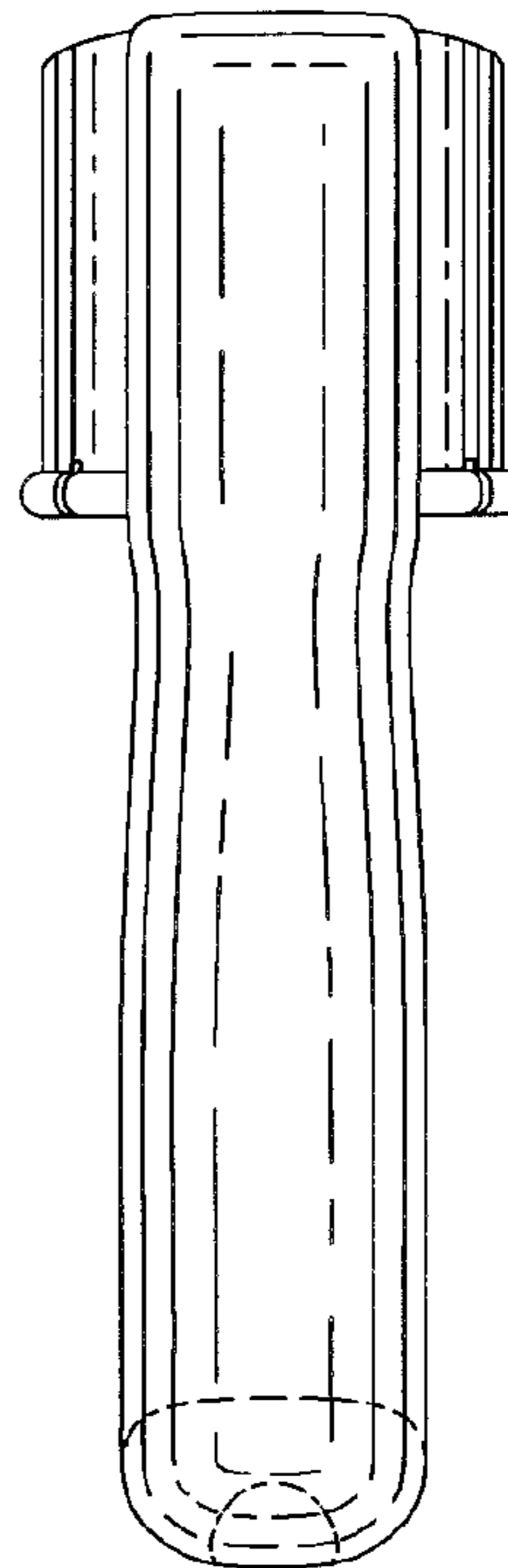


FIG. 8