



US00D592952S

(12) **United States Design Patent**
Hundley et al.

(10) **Patent No.:** **US D592,952 S**

(45) **Date of Patent:** **** May 26, 2009**

(54) **CONTOURED PROFILE DOMED LID**

(75) Inventors: **Bobby V. Hundley**, Glendale, AZ (US);
Joseph H. Quatmann, Phoenix, AZ (US)

(73) Assignee: **New Wincup Holdings, Inc.**, Stone Mountain, GA (US)

(**) Term: **14 Years**

(21) Appl. No.: **29/331,286**

(22) Filed: **Jan. 22, 2009**

D287,919 S	1/1987	Clements
4,738,373 A	4/1988	DeParales
4,741,450 A	5/1988	Braude
4,760,934 A	8/1988	Netsch
D299,010 S	12/1988	Wall
4,978,024 A	12/1990	Newman et al.
4,986,437 A	1/1991	Farmer
5,090,584 A	2/1992	Roberts et al.
5,111,961 A	5/1992	Van Melle
5,183,172 A	2/1993	Boller
5,197,624 A	3/1993	Dodaro
5,398,843 A	3/1995	Warden et al.

Related U.S. Application Data

(63) Continuation of application No. 11/402,514, filed on Apr. 11, 2006.

(51) **LOC (9) Cl.** **09-07**

(52) **U.S. Cl.** **D9/447; D9/454**

(58) **Field of Classification Search** D9/600, D9/454, 453, 452, 449, 447, 445, 439, 438, D9/435; D7/510, 396.2, 396.1; 229/906.1; 220/802, 711-713, 694, 270.268, 266, 254, 220/254.1-254.9, 253

See application file for complete search history.

References Cited

U.S. PATENT DOCUMENTS

3,868,043 A	2/1975	Freemyer	
3,952,910 A *	4/1976	Wheeler	220/711
3,994,411 A	11/1976	Elfelt et al.	
4,083,467 A	4/1978	Mullins et al.	
4,202,459 A	5/1980	DeParales et al.	
4,322,015 A	3/1982	Bailey	
D274,502 S	7/1984	Little	
4,473,167 A	9/1984	Bailey	
4,503,992 A	3/1985	Sitko et al.	
D279,850 S	7/1985	Brooker et al.	
4,574,970 A	3/1986	Schwarz	
4,589,569 A	5/1986	Clements	
4,619,372 A	10/1986	McFarland	
4,629,088 A	12/1986	Durgin	

(Continued)

OTHER PUBLICATIONS

U.S. Appl. No. 29/250,410, filed Nov. 13, 2006, by Robert W. Hollis et al.

Primary Examiner—Susan Bennett Hattan

(74) *Attorney, Agent, or Firm*—Woodcock Washburn LLP

(57) **CLAIM**

We claim an ornamental design for a contoured profile domed lid, as shown and described.

DESCRIPTION

FIG. 1 is a top perspective view of a contoured profile domed lid showing our new design;

FIG. 2 is a top plan view thereof;

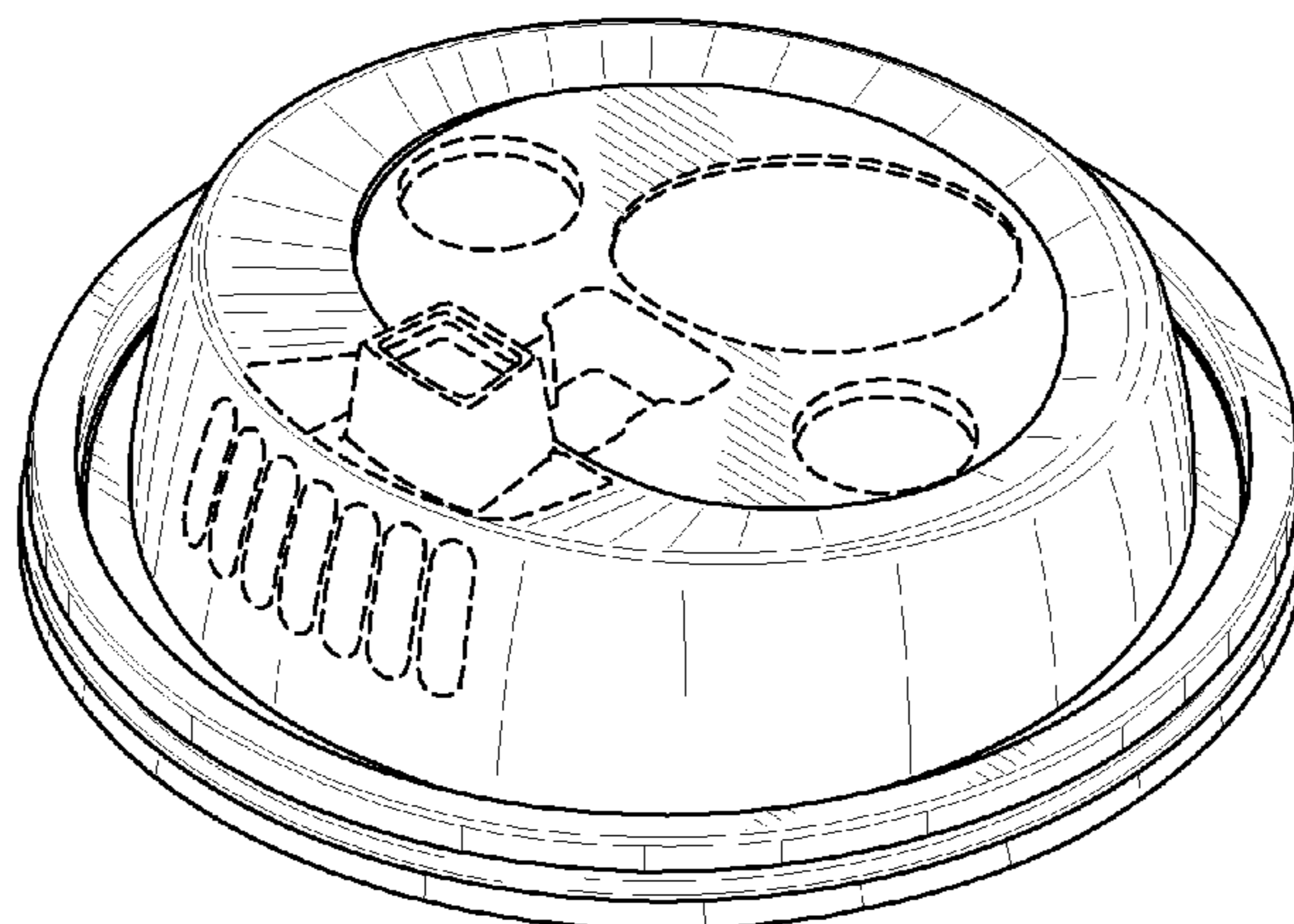
FIG. 3 is a right side view thereof, and is also a mirror image of a left side view thereof;

FIG. 4 is a front elevational view thereof; and,

FIG. 5 is a rear elevational view thereof.

The portions of the drawings appearing in broken line are for environment only and do not form a part of the claimed design.

1 Claim, 3 Drawing Sheets



US D592,952 S

Page 2

U.S. PATENT DOCUMENTS

D363,665 S	10/1995	Goto et al.	6,702,145 B2	3/2004	Malcolm	
5,490,609 A	2/1996	Lane et al.	D489,260 S	5/2004	Smith et al.	
5,503,289 A	4/1996	Fox	6,732,875 B2	5/2004	Smith et al.	
5,509,568 A	4/1996	Warden et al.	D493,718 S	8/2004	Durdon	
D376,952 S	12/1996	Rausch	6,824,003 B1 *	11/2004	Wong	220/254.9
5,613,619 A	3/1997	Van Melle	D514,444 S *	2/2006	Smith et al.	D9/447
5,699,927 A	12/1997	Lane et al.	D516,424 S *	3/2006	Schweigert et al.	D9/447
D390,465 S	2/1998	Frye	7,063,224 B2 *	6/2006	Clarke et al.	220/254.3
5,799,814 A	9/1998	Schaefer et al.	D533,777 S	12/2006	Hundley et al.	
D399,050 S	10/1998	Evans	D537,717 S *	3/2007	Notarianni	D9/449
5,820,016 A	10/1998	Stropkay	D570,686 S *	6/2008	Hollis et al.	D9/447
5,839,601 A	11/1998	Van Melle	D587,999 S *	3/2009	Schulthess	D9/434
5,894,950 A	4/1999	Kick	2002/0020708 A1	2/2002	Weiss et al.	
5,947,323 A	9/1999	Freek et al.	2002/0027139 A1 *	3/2002	O'Neill	220/713
6,047,852 A	4/2000	Evans et al.	2002/0038803 A1 *	4/2002	Malcolm	220/713
6,079,588 A	6/2000	Khafizov	2002/0100757 A1	8/2002	Shih	
6,089,397 A	7/2000	Van Melle	2002/0170912 A1	11/2002	Clarke	
6,260,727 B1	7/2001	Durdon	2003/0024930 A1	2/2003	Smith et al.	
D447,412 S	9/2001	Durdon	2003/0052127 A1	3/2003	Mazzarolo	
6,314,866 B1	11/2001	Melton	2003/0057216 A1	3/2003	Portman et al.	
6,374,726 B1	4/2002	Melton	2003/0089714 A1	5/2003	Dart et al.	
6,419,105 B1	7/2002	Bruce et al.	2003/0089726 A1	5/2003	Mazzarolo	
6,419,112 B1	7/2002	Bruce et al.	2003/0116568 A1	6/2003	Clarke et al.	
6,464,099 B1	10/2002	Portman et al.	2003/0178426 A1	9/2003	Freek et al.	
6,505,753 B1	1/2003	Freek et al.	2003/0192890 A1	10/2003	Mazzarolo	
6,578,726 B1	6/2003	Schaefer	2004/0118847 A1	6/2004	Giraud	
D476,891 S	7/2003	Clarke et al.	2004/0195239 A1	10/2004	Rush et al.	
6,612,456 B1	9/2003	Hundley et al.	2005/0139597 A1 *	6/2005	O'Neill	220/254.1
6,644,490 B2	11/2003	Clarke	2006/0213908 A1 *	9/2006	Clarke et al.	220/254.3
D485,758 S	1/2004	Clarke et al.	2008/0011762 A1 *	1/2008	Boone	220/713
6,679,397 B2	1/2004	Smith et al.	2008/0061069 A1 *	3/2008	Edelstein et al.	220/713
			2008/0245792 A1 *	10/2008	Chou	220/254.3

* cited by examiner

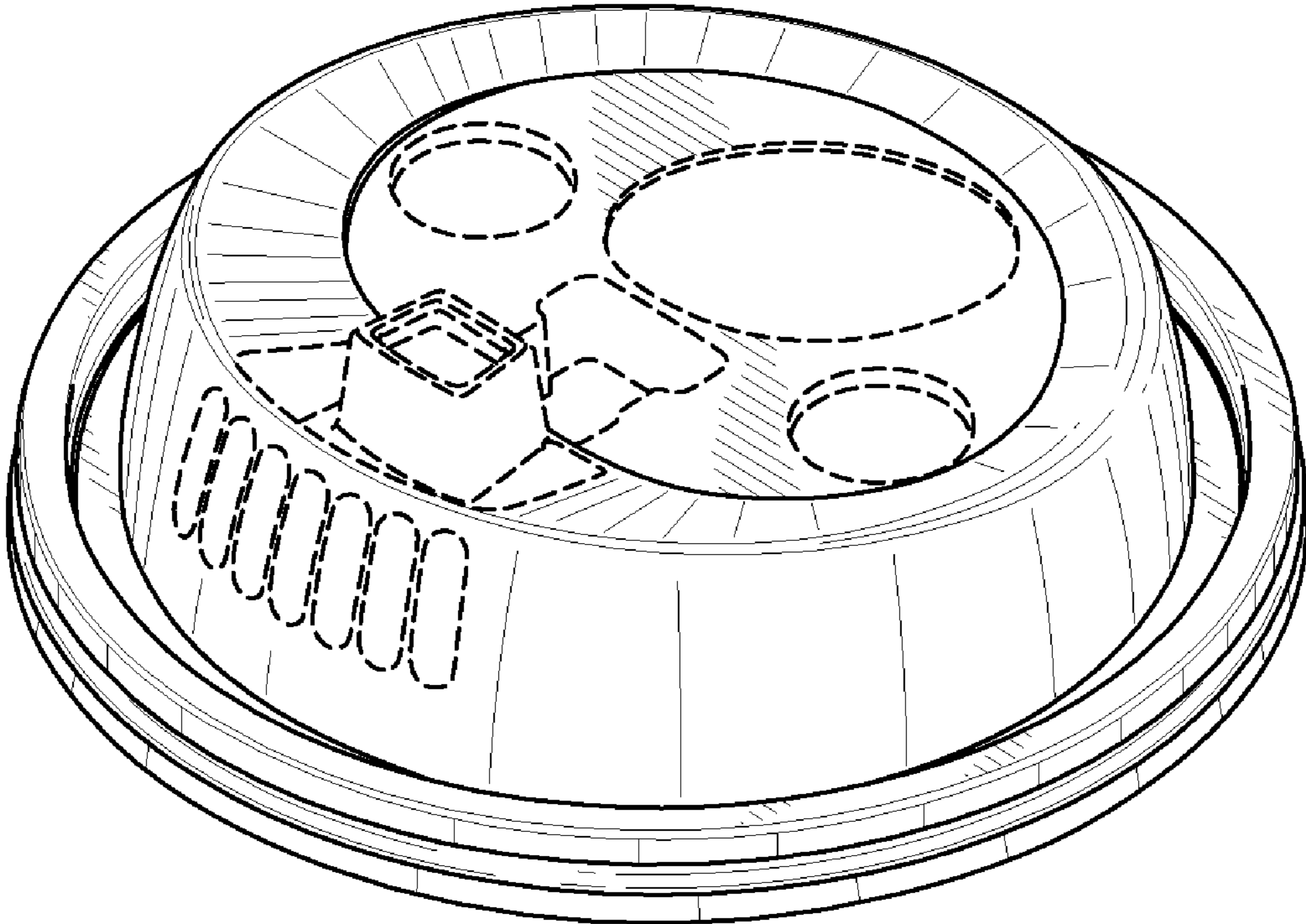


FIG. 1

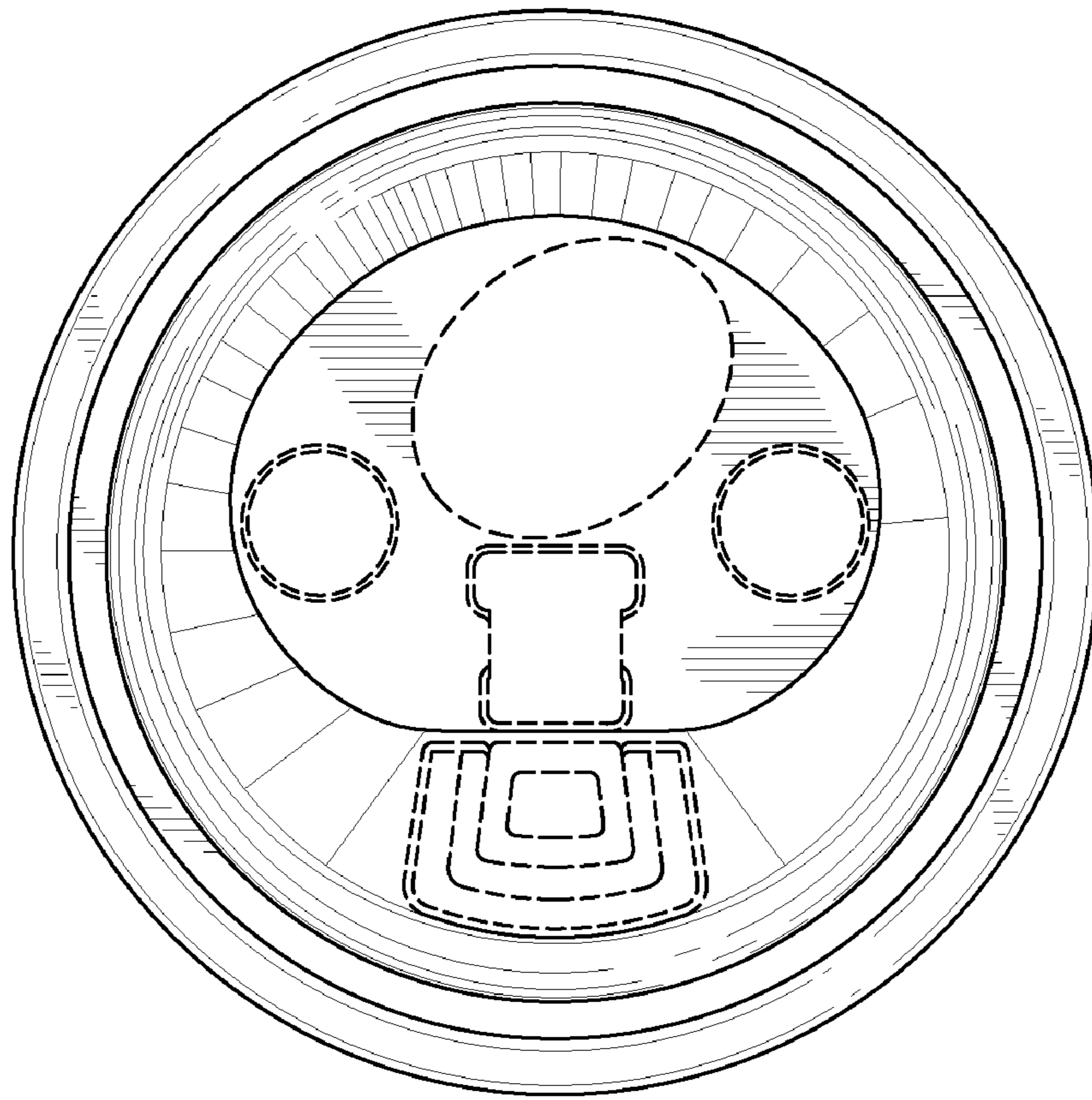


FIG. 2

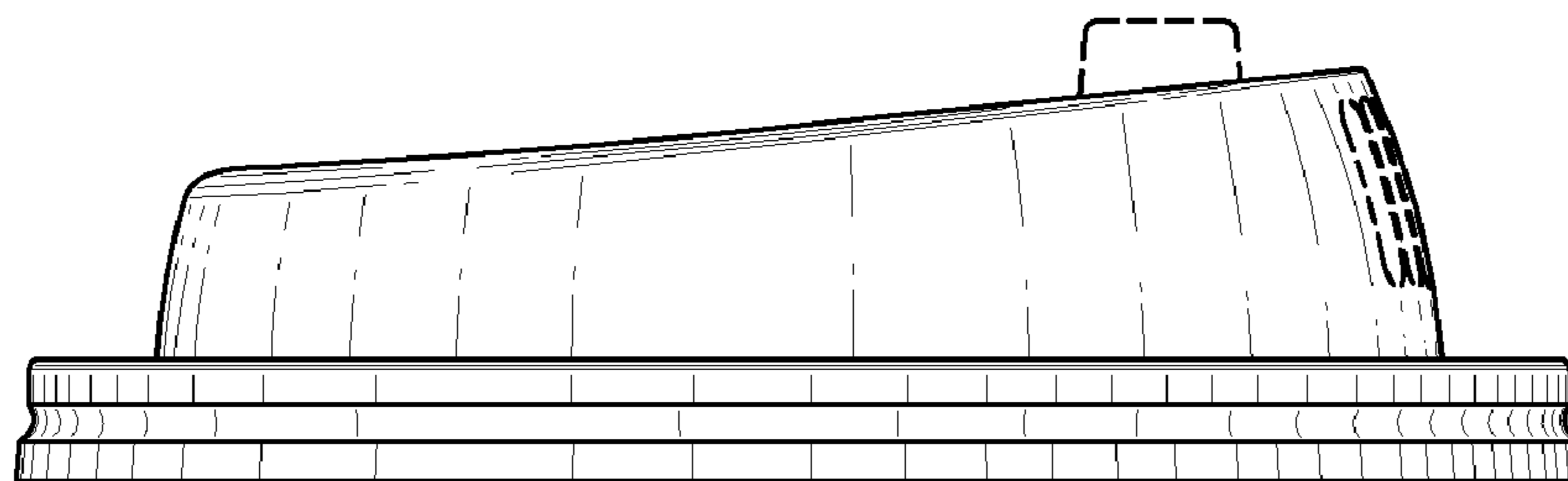


FIG. 3

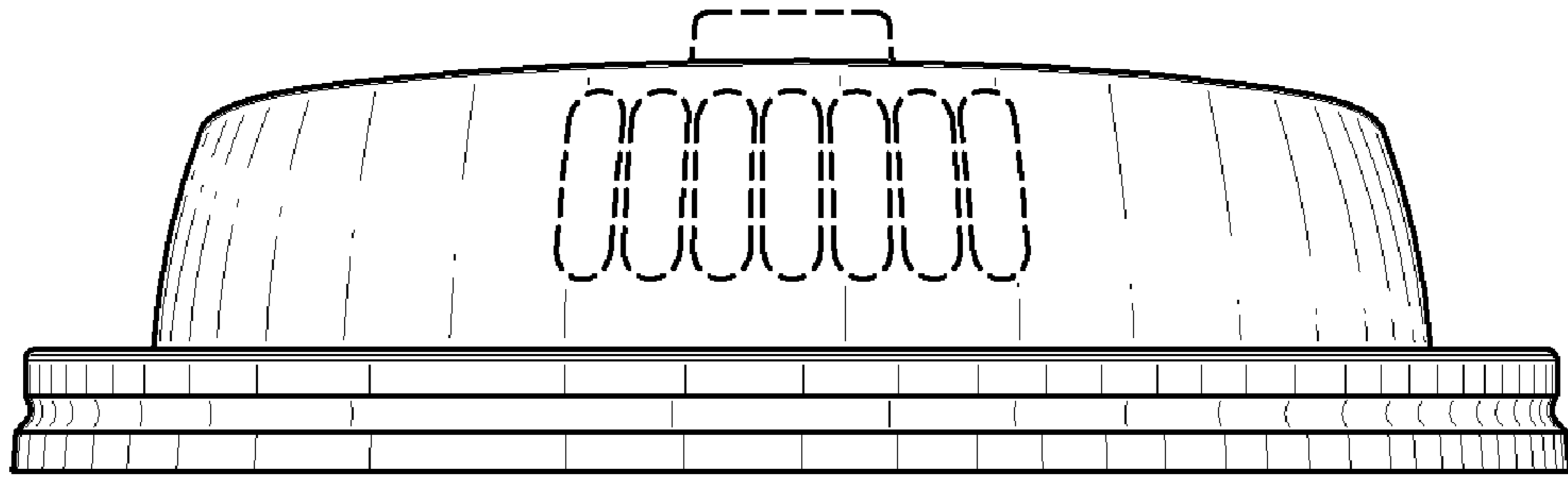


FIG. 4

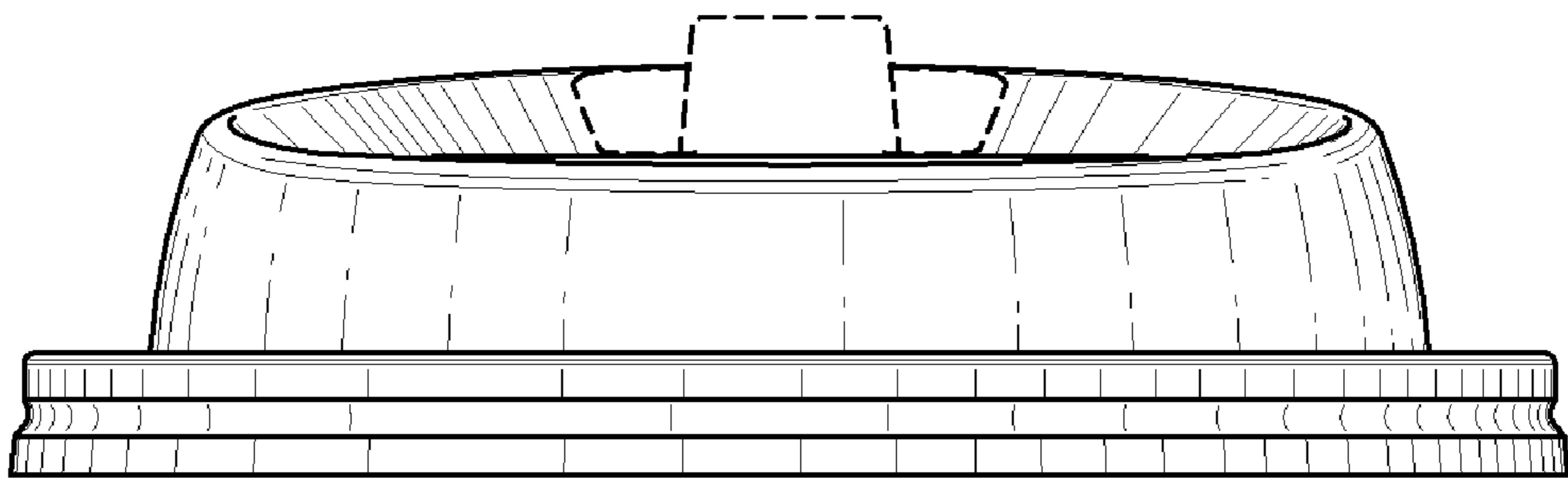


FIG. 5