



US00D592950S

(12) **United States Design Patent**
Kopulos

(10) **Patent No.:** **US D592,950 S**
(45) **Date of Patent:** **** May 26, 2009**

(54) **ORNAMENTALLY DECORATED ELASTIC BAND FOR REMOVABLE ATTACHMENT TO DRINK CONTAINERS**

(76) Inventor: **Maura K. Kopulos**, 420 E. Calhoun, Woodstock, IL (US) 60098

(**) Term: **14 Years**

(21) Appl. No.: **29/288,612**

(22) Filed: **Jun. 15, 2007**

(51) **LOC (9) Cl.** **09-07**

(52) **U.S. Cl.** **D9/434; D7/396.2**

(58) **Field of Classification Search** D9/499, D9/454, 443, 435, 434; D8/372, 371; D7/622, D7/396.2, 387; D3/328, 316, 201; D17/24; D11/4; 446/74; 40/310, 665; 294/87.2, 294/31.2, 26, 170, 164, 159, 137; 248/95; 224/148.4; 220/769, 759, 758, 755, 754, 220/752, 741, 737, 694, 212; 215/396, 395, 215/386

See application file for complete search history.

(56) **References Cited**

U.S. PATENT DOCUMENTS

- D11,893 S * 8/1880 Kursh D11/4
- 263,600 A 8/1882 Searing
- 605,584 A * 6/1898 Muffly 70/456 R
- D33,611 S * 11/1900 Arvonen D11/4
- 1,350,890 A 8/1920 Tanzey
- D406,213 S 3/1999 Rausch
- D412,938 S 8/1999 Kesselring et al.
- 6,293,034 B1 * 9/2001 Skapyak et al. 40/310
- D459,151 S 6/2002 Skapyak
- D477,781 S * 7/2003 Lavallee D9/434
- 6,615,517 B2 * 9/2003 King 40/324
- 6,675,611 B2 * 1/2004 Hunter 63/3.1
- 6,741,150 B2 * 5/2004 Holmes et al. 335/207
- D496,220 S * 9/2004 Miller et al. D7/396.2
- D498,167 S * 11/2004 Ferlise D11/5

- D516,449 S * 3/2006 Charles D11/4
- D543,887 S 6/2007 Liverino
- 2003/0226298 A1 * 12/2003 Bjork 40/310
- 2005/0138854 A1 * 6/2005 Simmons 40/665
- 2006/0207132 A1 * 9/2006 Vaughan et al. 40/310

* cited by examiner

Primary Examiner—Susan Bennett Hattan

(74) *Attorney, Agent, or Firm*—Meroni & Meroni, P.C.; Charles F. Meroni, Jr.

(57) **CLAIM**

I claim the ornamental design for an ornamentally decorated elastic band for removable attachment to drink containers, as shown and described.

DESCRIPTION

The file of this patent contains at least one drawing/photograph executed in color. Copies of this patent with color drawing(s)/photograph(s) will be provided by the Office upon request and payment of the necessary fee.

FIG. 1 is a right, front perspective view of my ornamentally decorated elastic band for removable attachment to drink containers. The broken lines show a charm with the device illustrated upon a beverage container, which broken lines depict environmental subject matter only, and form no part of the claimed design.

FIG. 2 is a bottom plan view of the device shown in FIG. 1.

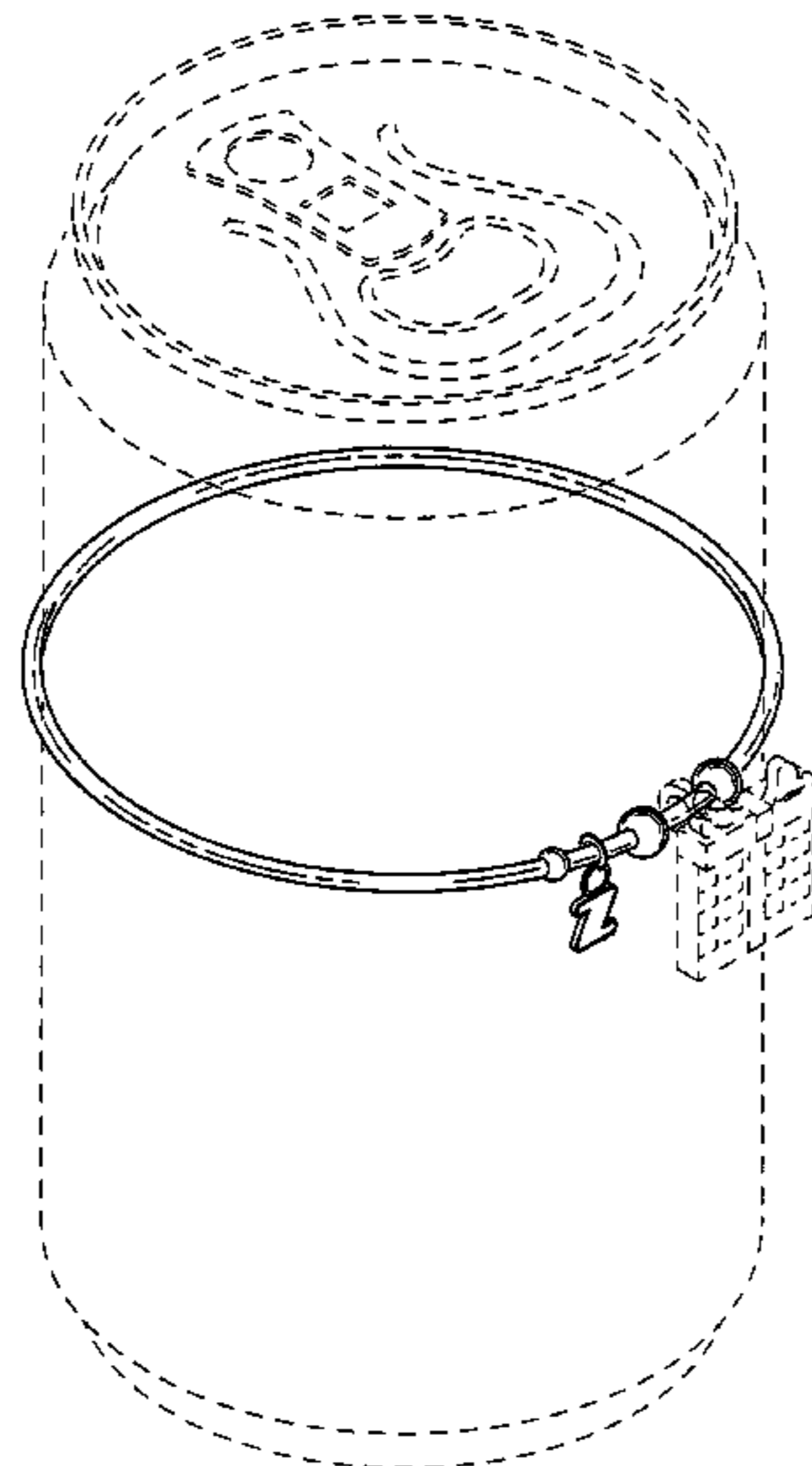
FIG. 3 is a rear elevational view of the device shown in FIG. 1.

FIG. 4 is a left side elevation of the device shown in FIG. 1.

FIG. 5 is an exploded view of the device shown in FIG. 1 with the beverage container being illustrated in broken lines removed from the device; and,

FIG. 6 is a right front perspective view of my device with the elastic loop being illustrated in a relaxed position.

1 Claim, 6 Drawing Sheets



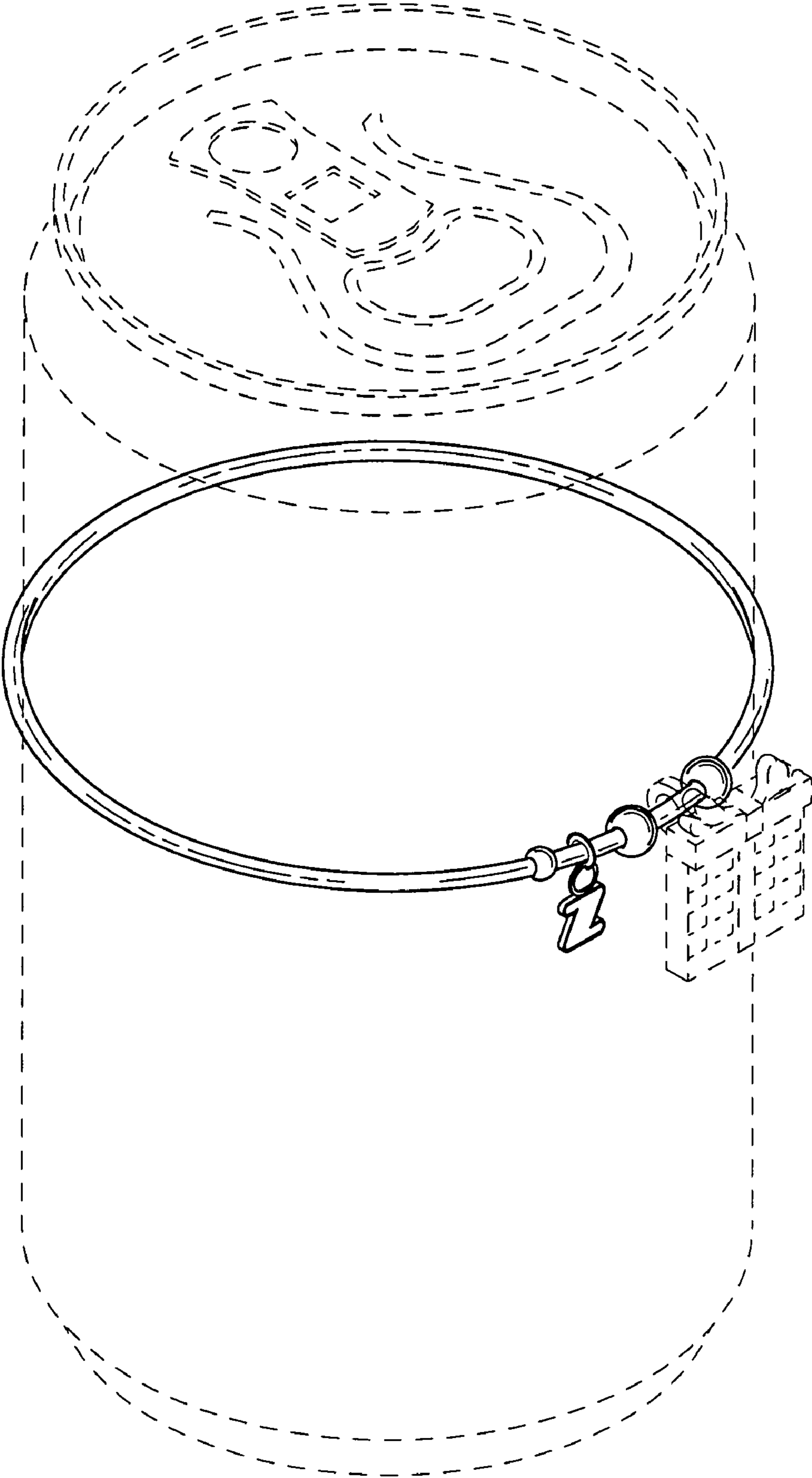


FIG. 1

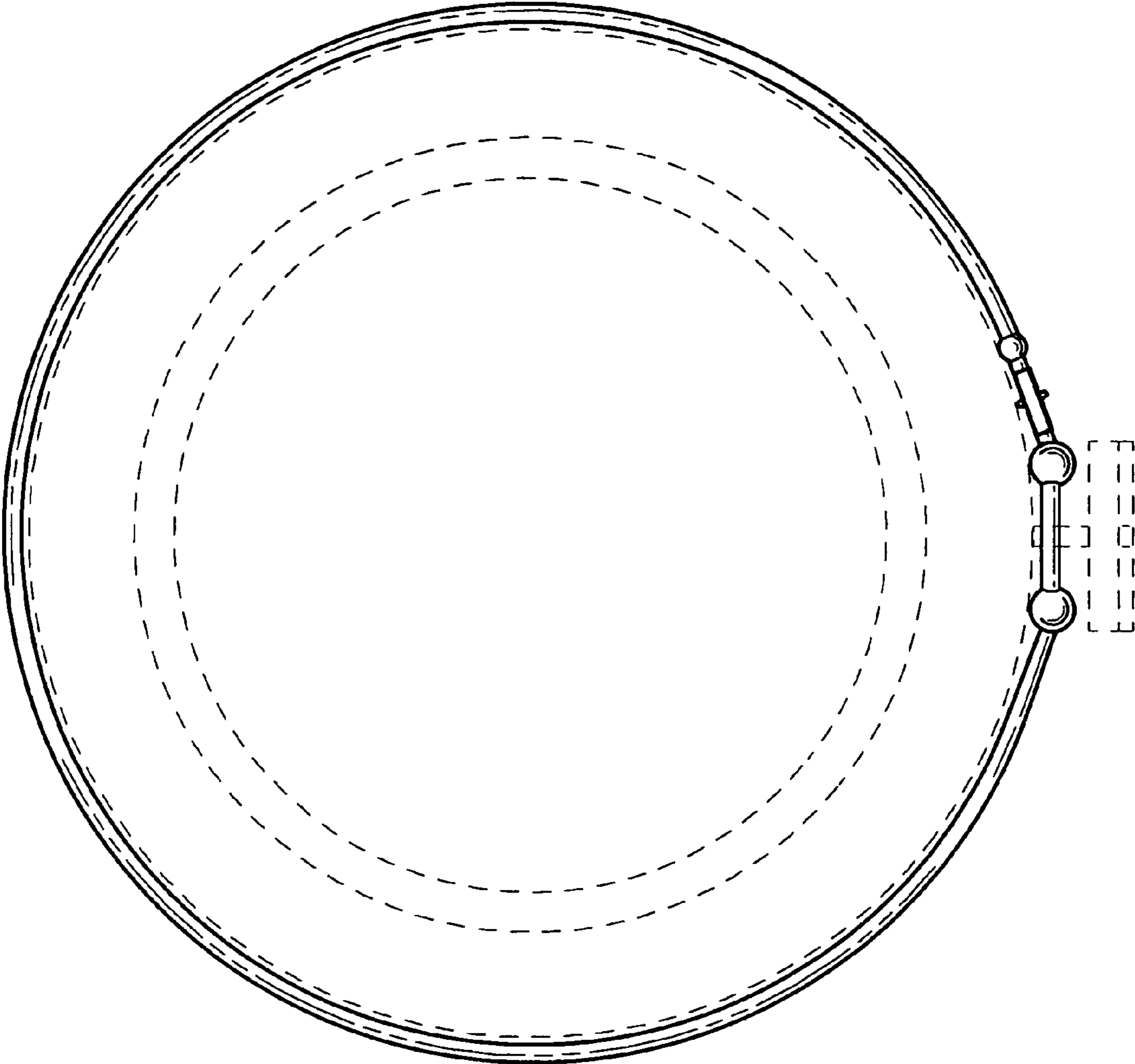


FIG. 2

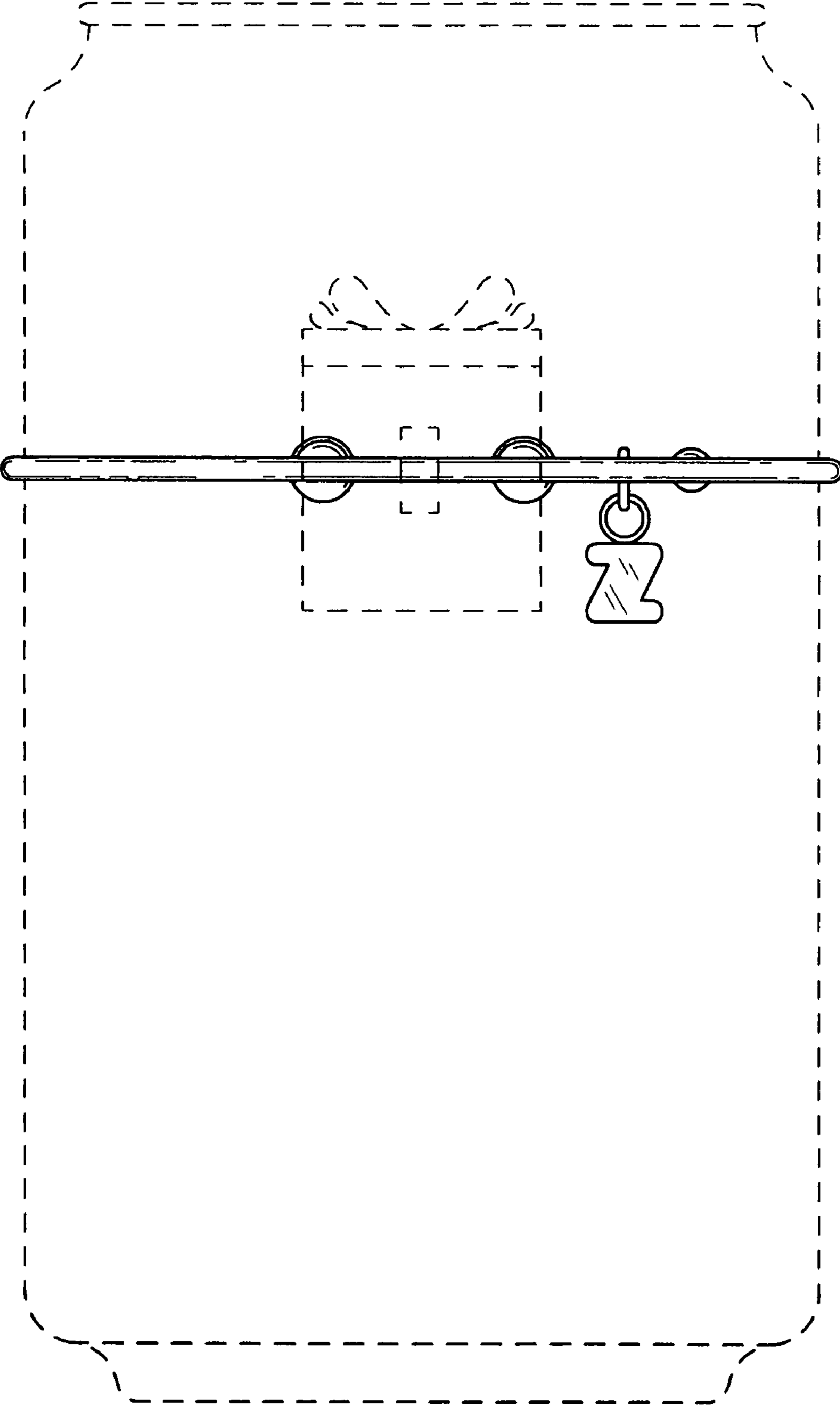


FIG. 3

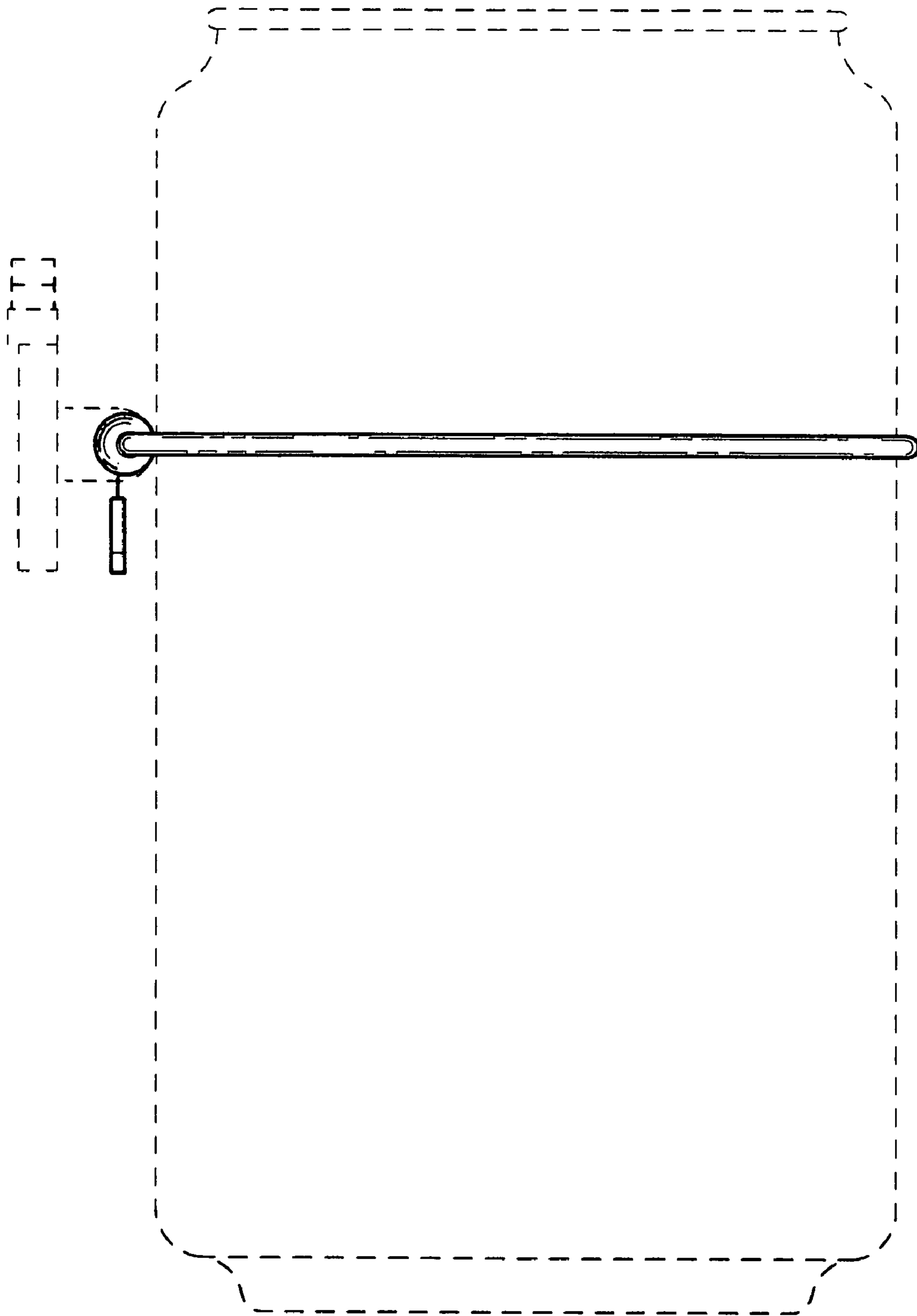


FIG. 4

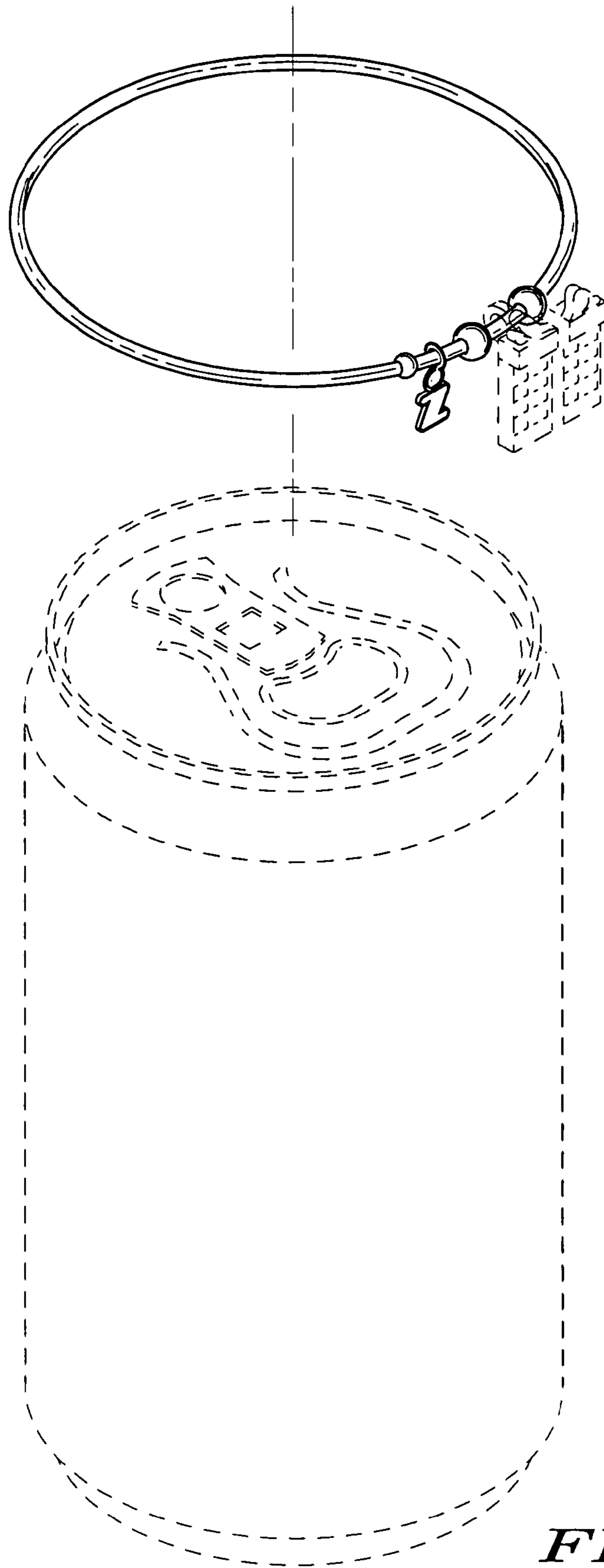


FIG. 5

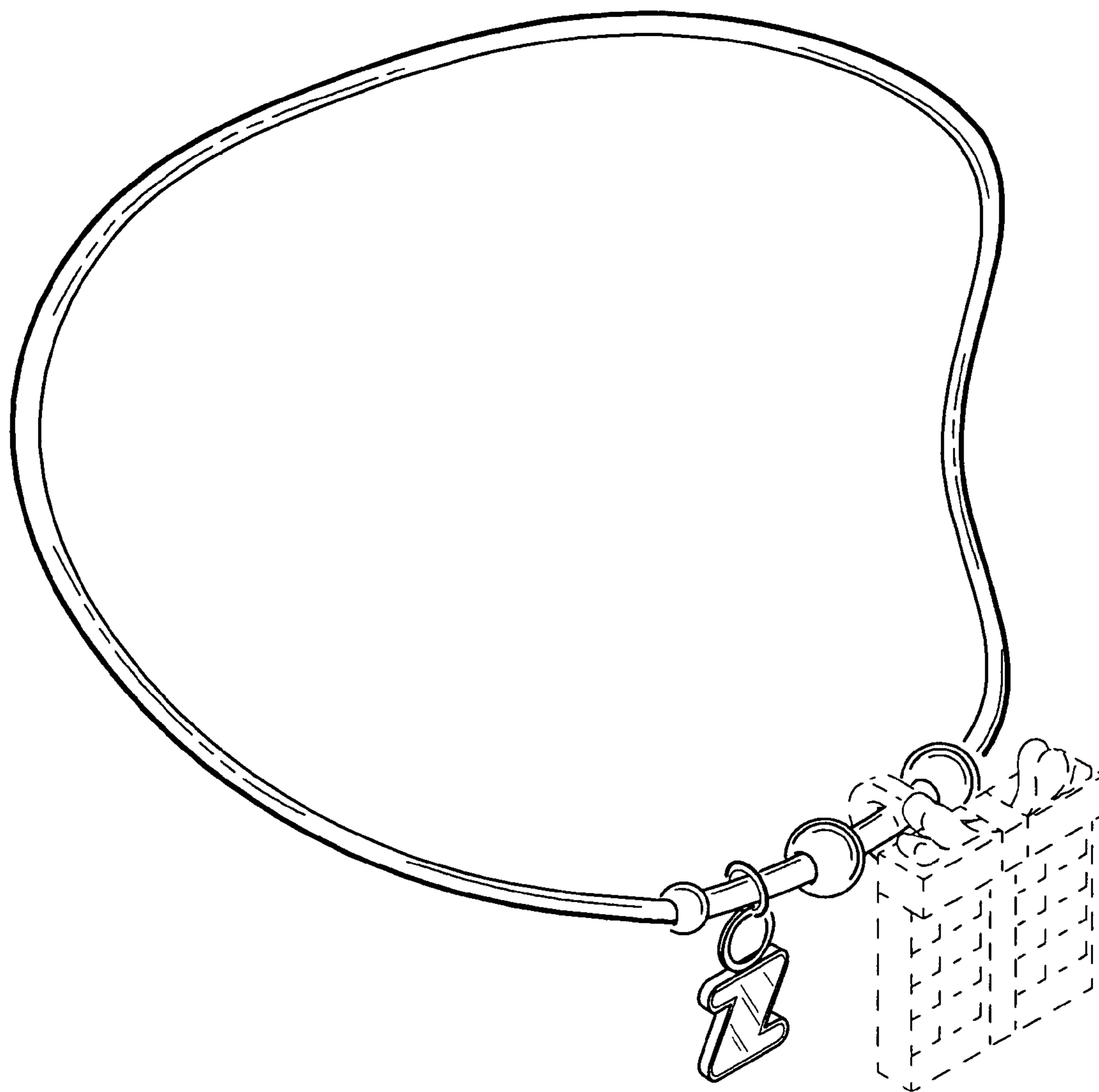


FIG. 6