



US00D592949S

(12) **United States Design Patent**
Staunton

(10) **Patent No.:** **US D592,949 S**

(45) **Date of Patent:** **** May 26, 2009**

(54) **TIN**

(76) **Inventor:** **Dundee Staunton**, 272 Dawlish Avenue,
Toronto, Ontario (CA) M4N 1J5

(**) **Term:** **14 Years**

(21) **Appl. No.:** **29/281,655**

(22) **Filed:** **Jun. 28, 2007**

(51) **LOC (9) Cl.** **09-03**

(52) **U.S. Cl.** **D9/422**

(58) **Field of Classification Search** D9/417,
D9/419, 420, 422, 423, 425, 432; D3/20,
D3/203.2, 203.6; D18/15, 17; D28/76-79,
D28/83; 132/293, 294, 315; 206/527, 581,
206/815, 823; D14/203.1-203.7, 214, 496
See application file for complete search history.

(56) **References Cited**

U.S. PATENT DOCUMENTS

2,295,747 A * 9/1942 Mills 220/351
3,833,143 A * 9/1974 Starkermann et al. 220/351

U.S. PATENT DOCUMENTS

D412,786 S * 8/1999 Killinger D3/273
D446,718 S * 8/2001 Anderson D9/422
D465,729 S * 11/2002 Nishimura D9/422
D484,409 S * 12/2003 Haggerty et al. D9/432
D485,749 S * 1/2004 Zaksenberg et al. D9/424
D510,859 S * 10/2005 Dixon et al. D9/424
D522,855 S * 6/2006 Liebe et al. D9/426
D542,524 S * 5/2007 Richardson et al. D3/218
D545,187 S * 6/2007 Kutsch et al. D9/422

* cited by examiner

Primary Examiner—Daniel D Bui
Assistant Examiner—Thomas J Johannes
(74) *Attorney, Agent, or Firm*—Sutherland Asbill & Brennan
LLP

(57) **CLAIM**

The ornamental design for a tin, as shown and described.

DESCRIPTION

FIG. 1 is a perspective view of a first embodiment of a tin in a closed condition, showing my new design;

FIG. 2 is a top view thereof;

FIG. 3 is a side view thereof;

FIG. 4 is a bottom view thereof;

FIG. 5 is a front view thereof;

FIG. 6 is a rear view thereof;

FIG. 7 is a perspective thereof, showing the tin in an opened condition;

FIG. 8 is a top view thereof;

FIG. 9 is a side view thereof;

FIG. 10 is a bottom view thereof;

FIG. 11 is a front view thereof;

FIG. 12 is a rear view thereof;

FIG. 13 is a perspective view of a second embodiment of a tin in a closed condition, showing my new design;

FIG. 14 is a top view thereof;

FIG. 15 is a side view thereof;

FIG. 16 is a bottom view thereof;

FIG. 17 is a front view thereof;

FIG. 18 is rear view thereof;

FIG. 19 is a perspective view thereof, showing the tin in an opened condition;

FIG. 20 is a top view thereof;

FIG. 21 is a side view thereof;

FIG. 22 is a bottom view thereof;

FIG. 23 is a front view thereof; and,

FIG. 24 is a rear view thereof.

The broken lines shown in the drawings are for illustrative purpose only and form no part of the claimed design.

1 Claim, 8 Drawing Sheets

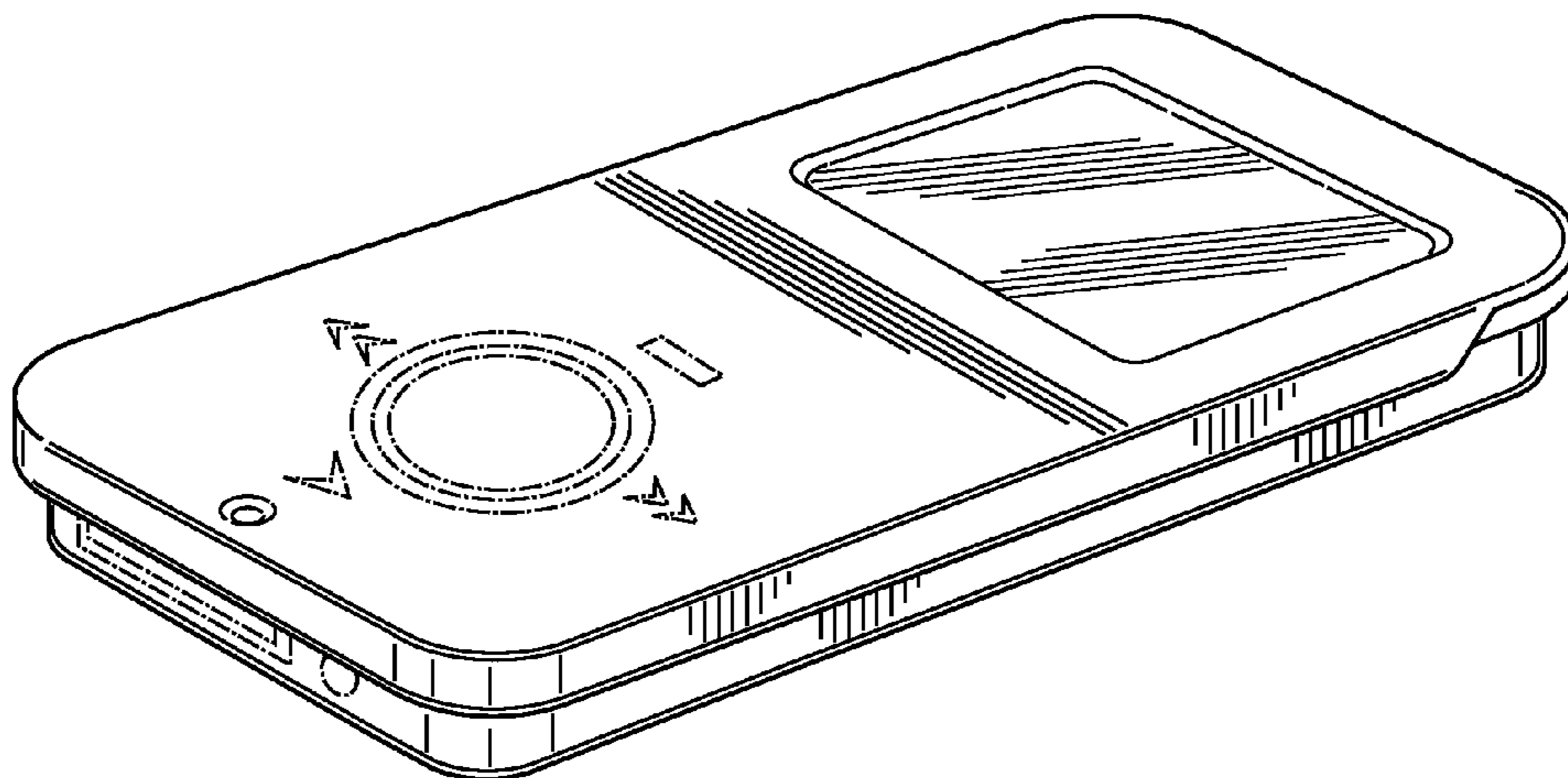


Fig.1

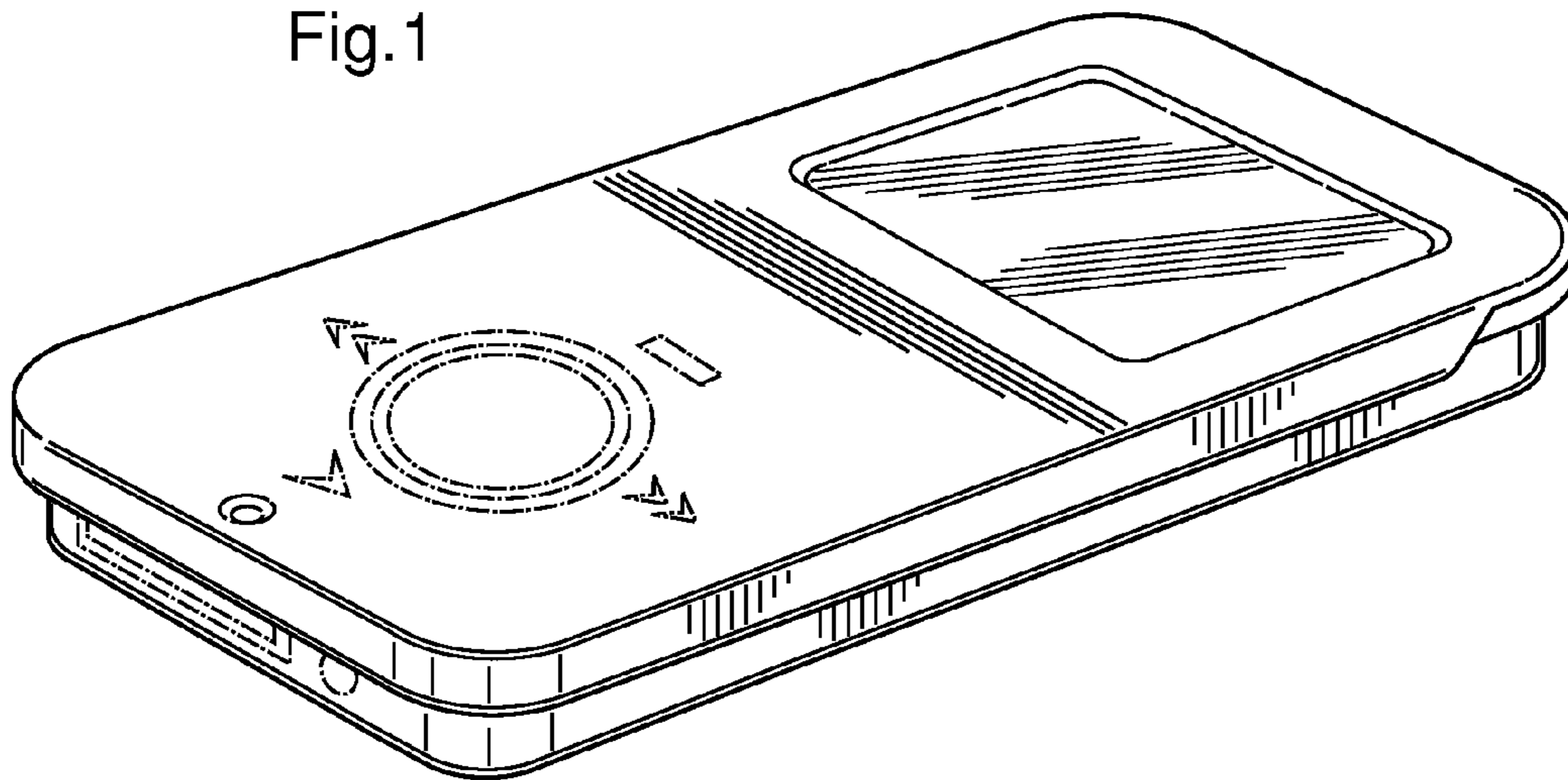


Fig.2

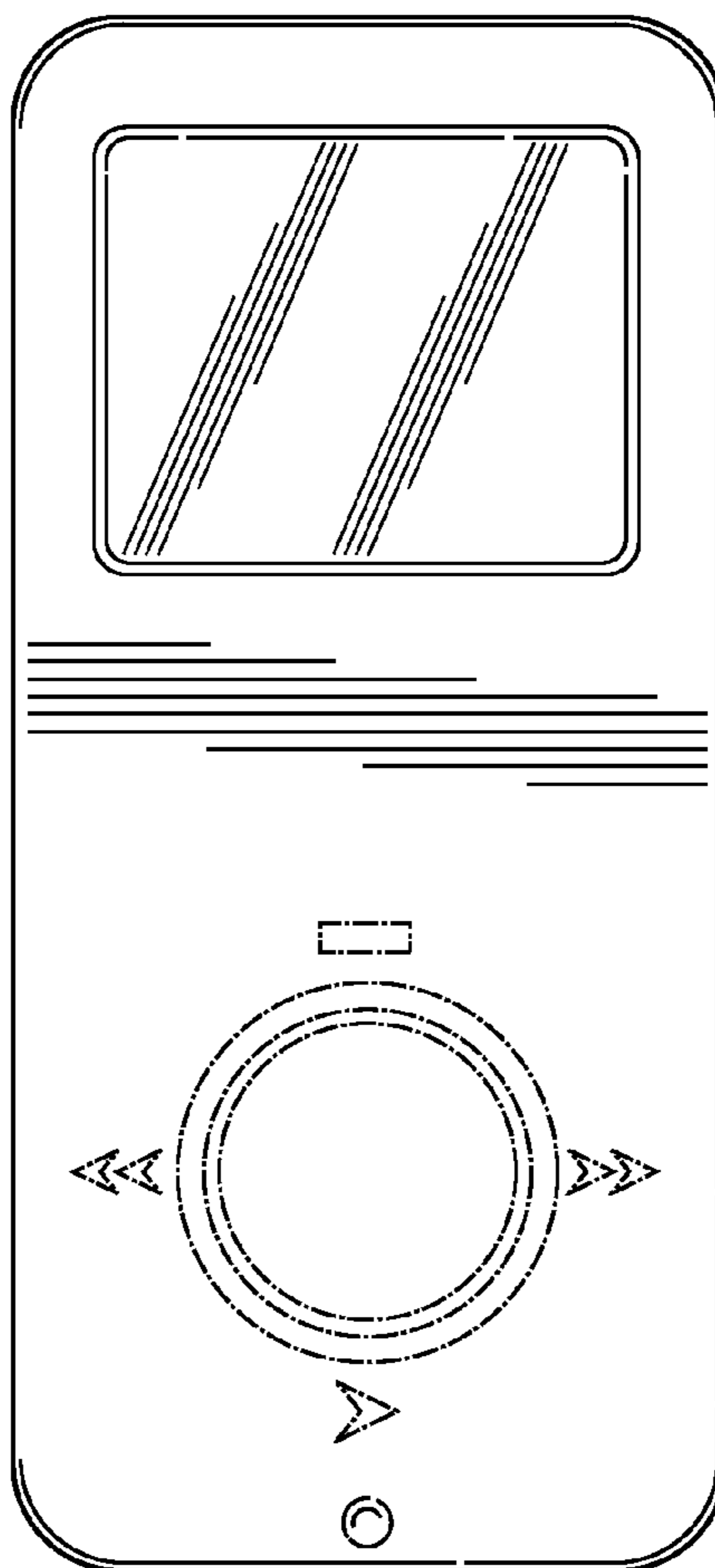
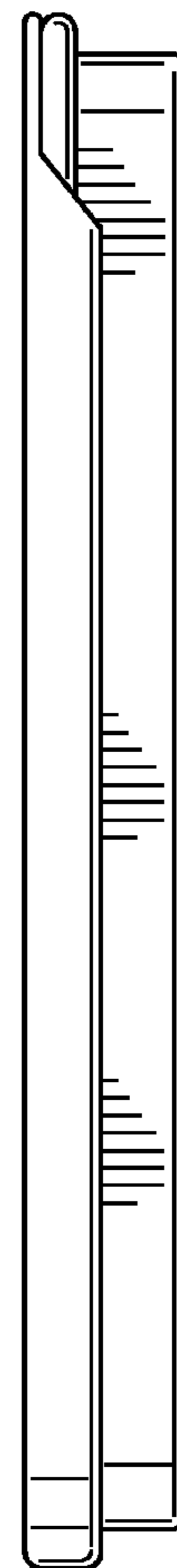


Fig.3



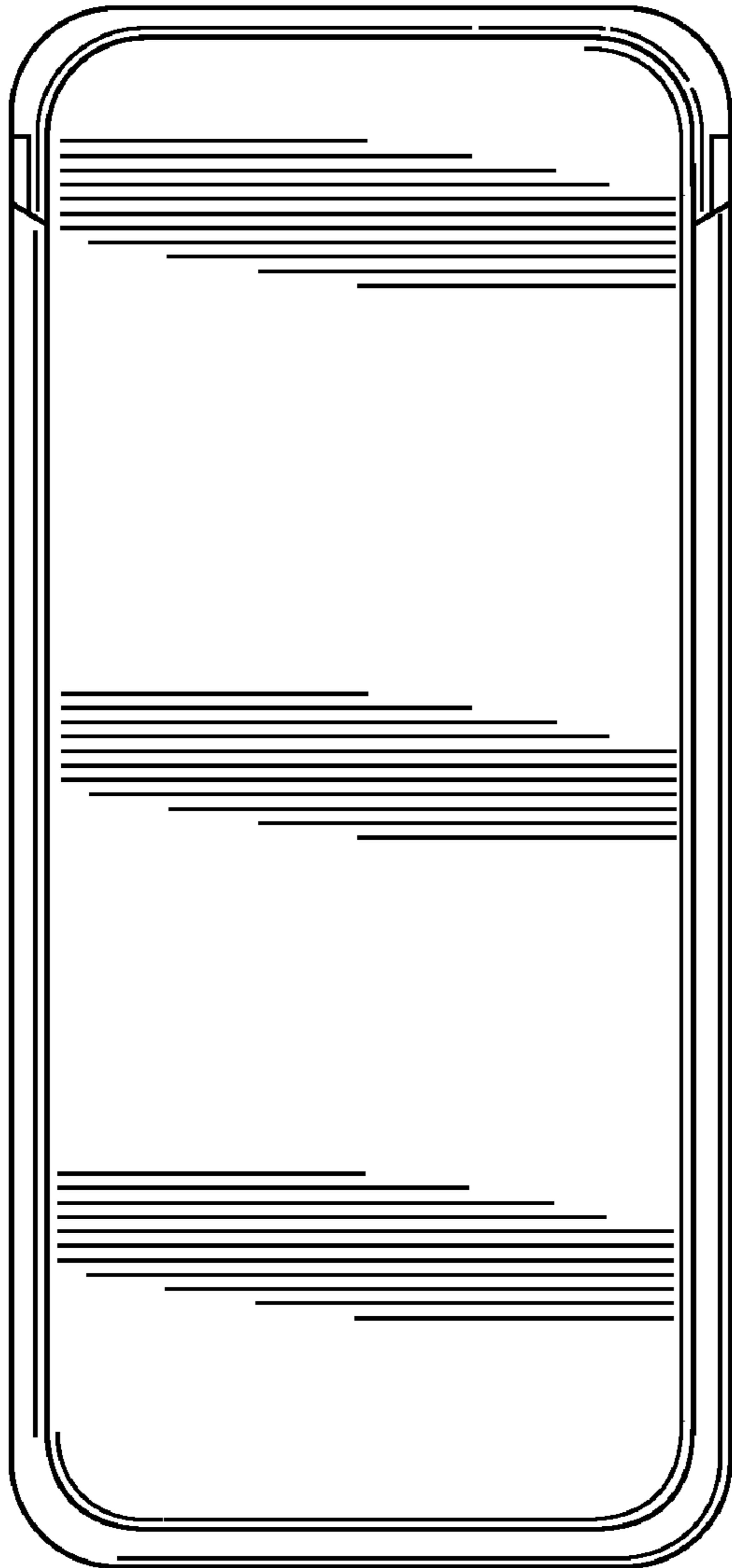


Fig.4

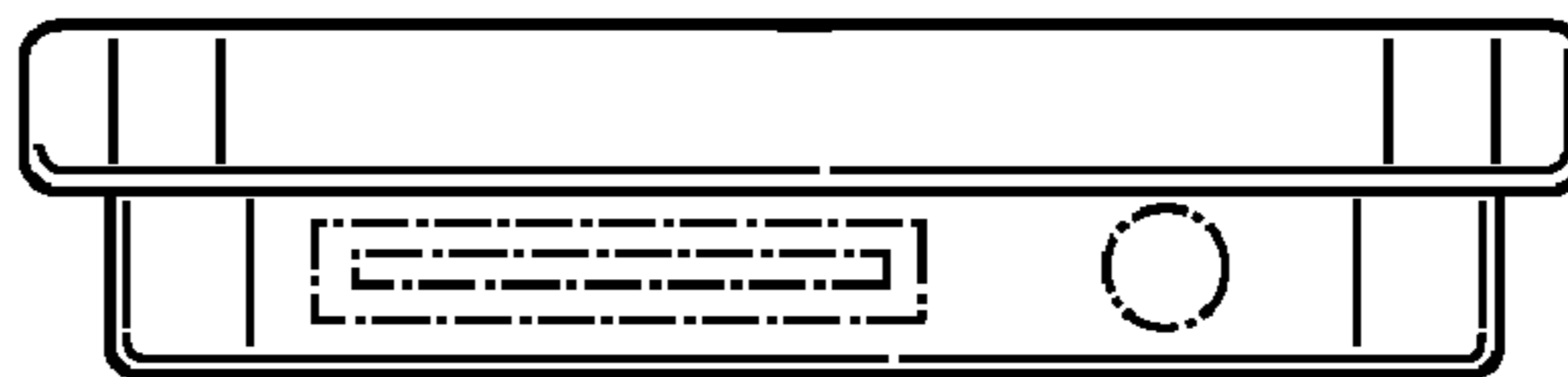


Fig.5



Fig.6

Fig.7

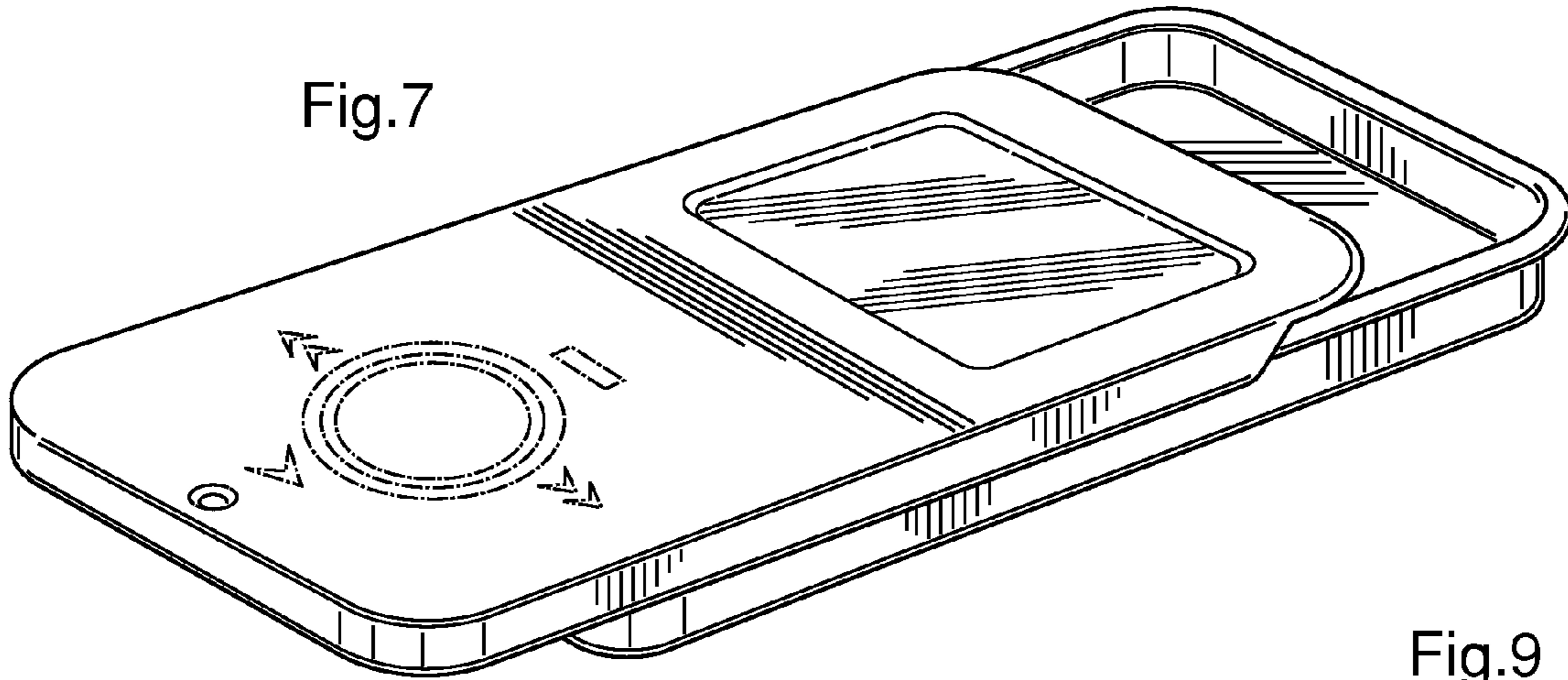


Fig.9

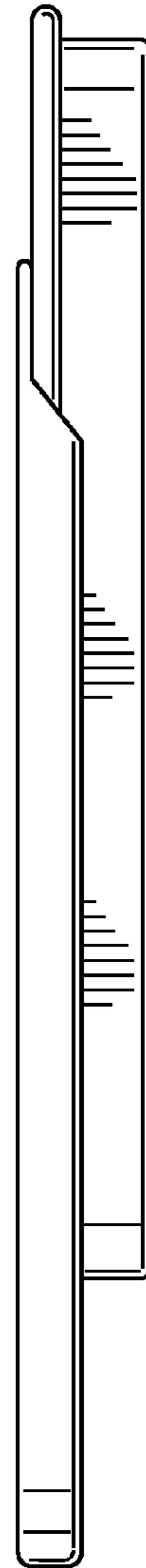
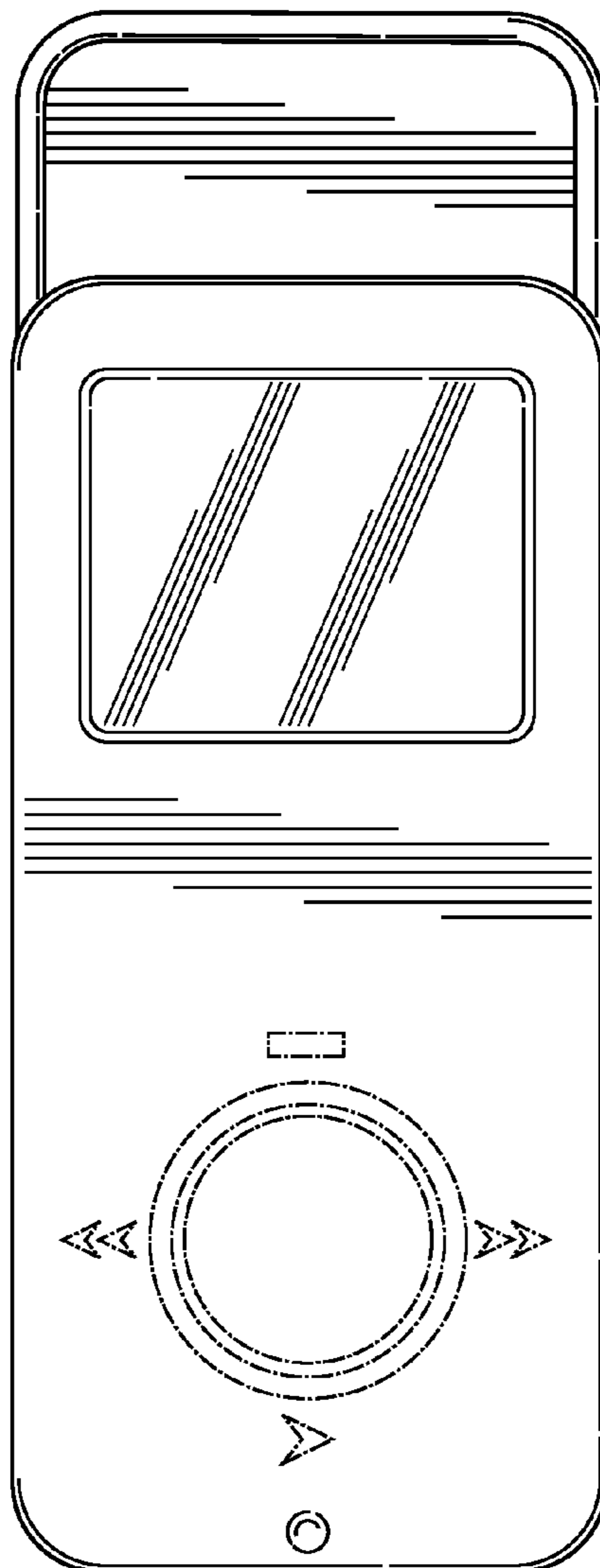


Fig.8



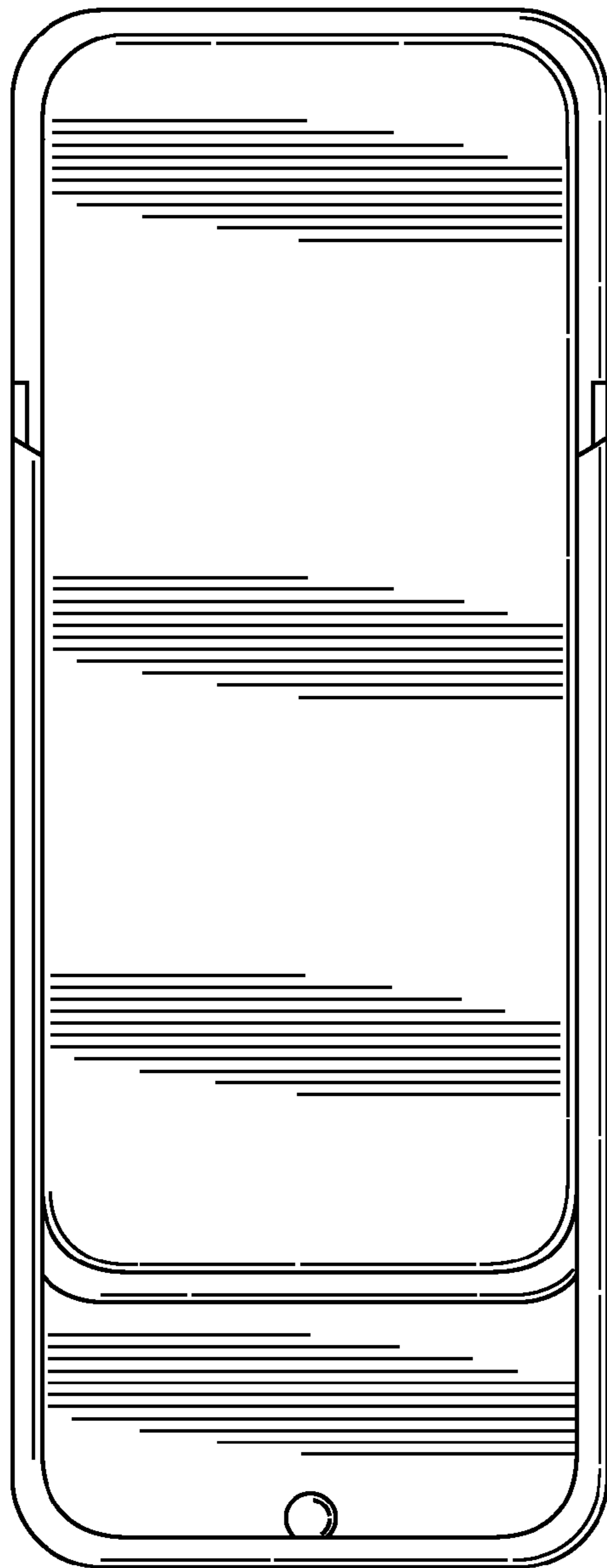


Fig.10



Fig.11

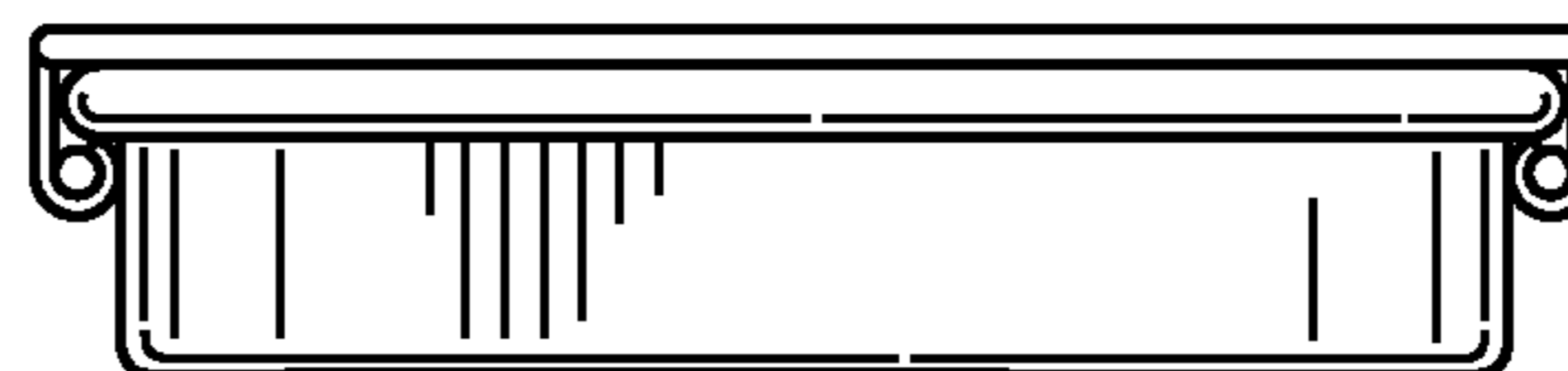


Fig.12

Fig.13

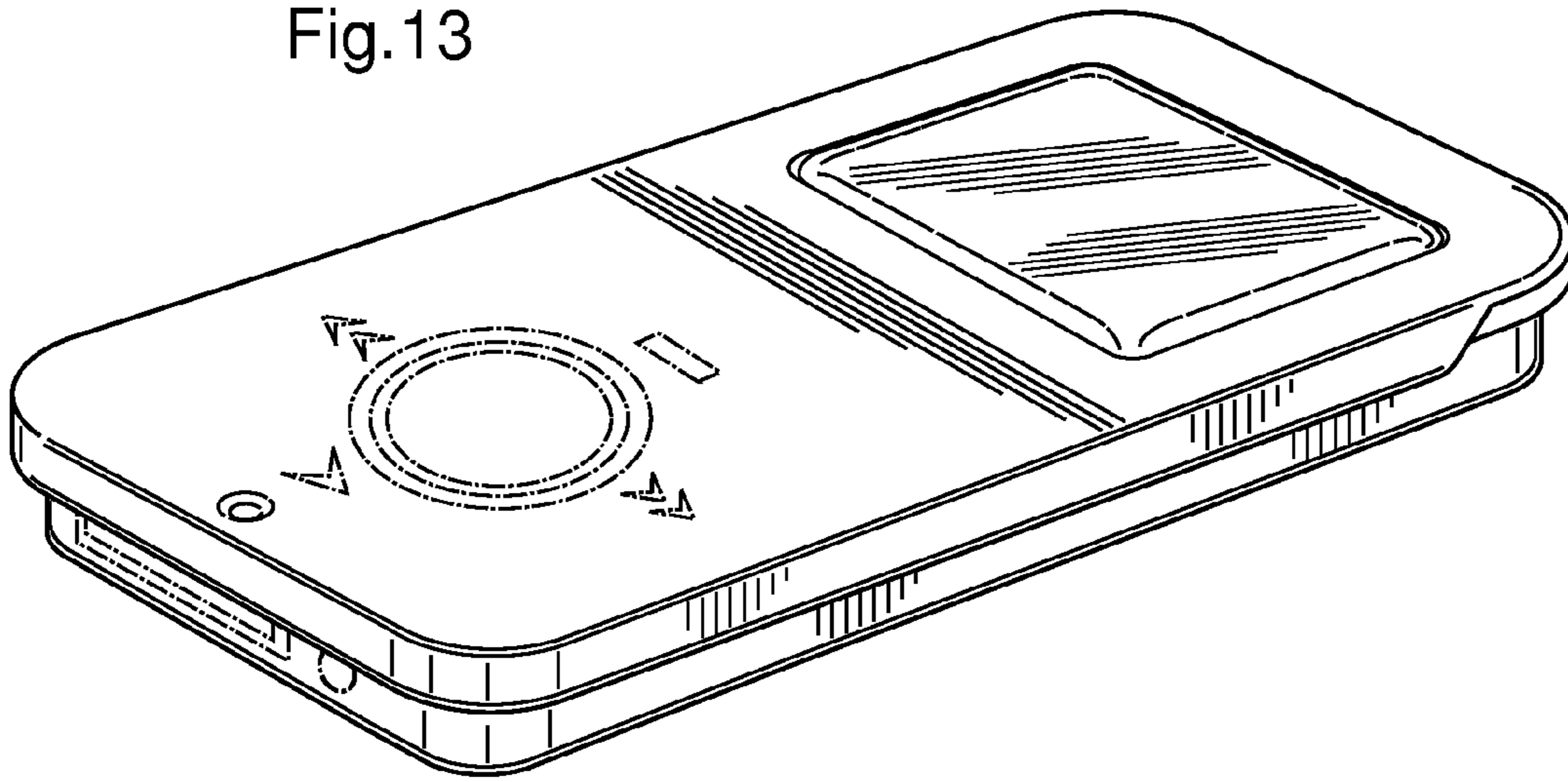


Fig.14

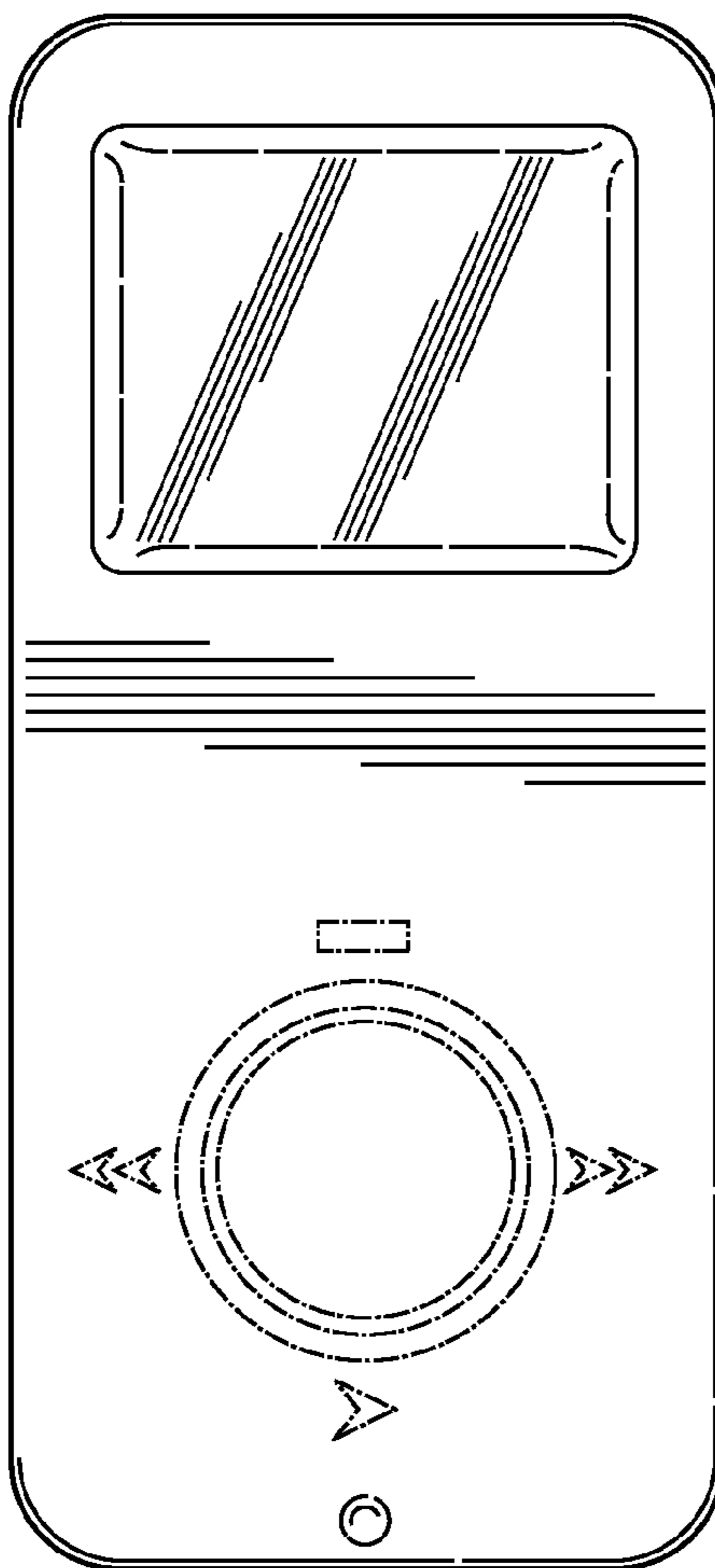
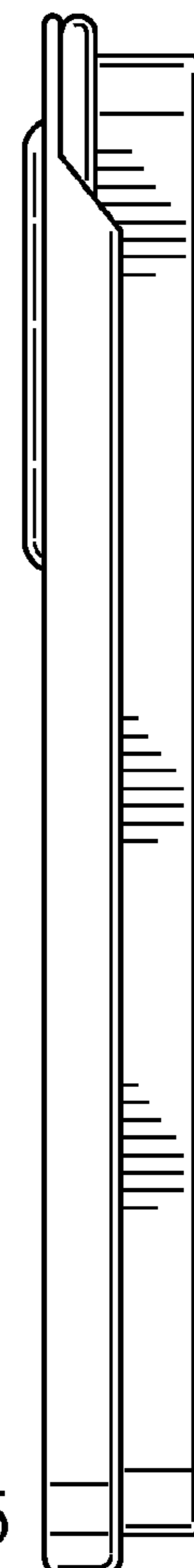


Fig.15



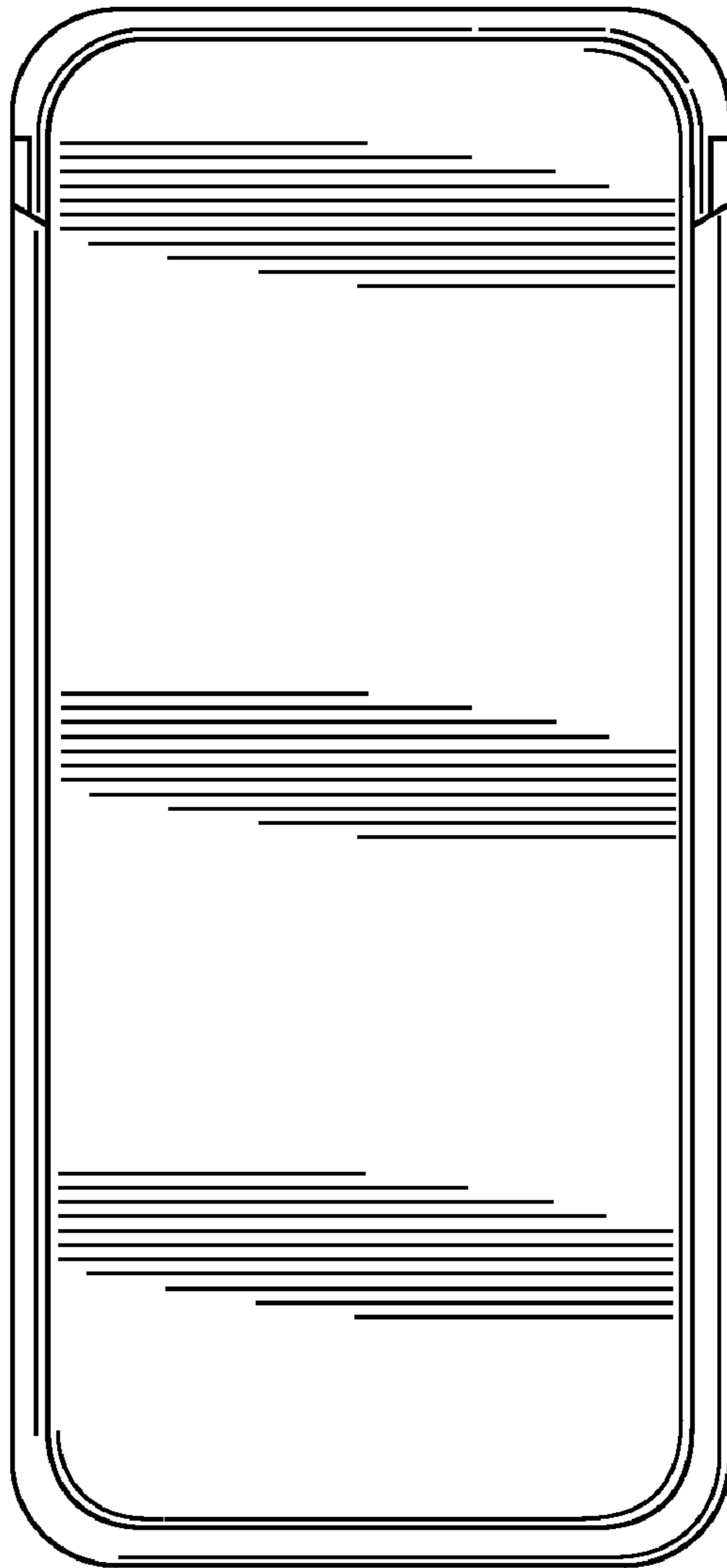


Fig.16

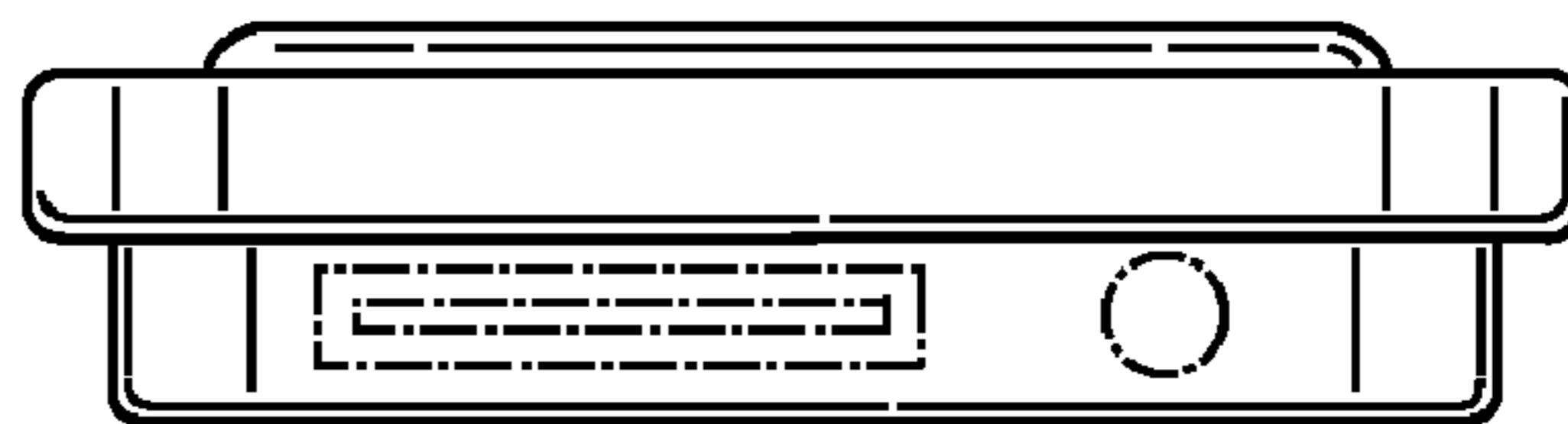


Fig.17

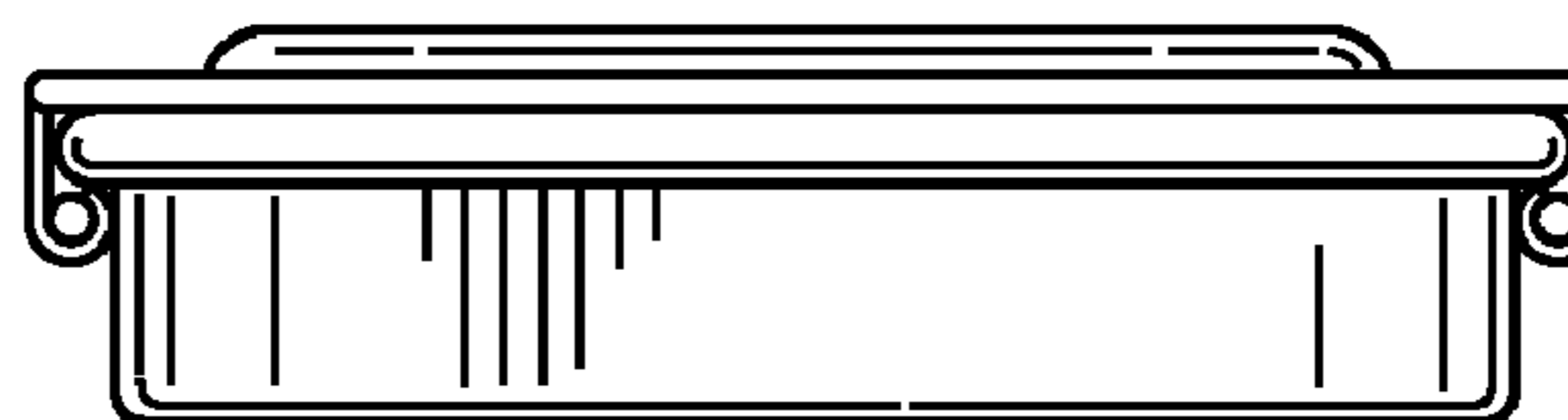


Fig.18

Fig.19

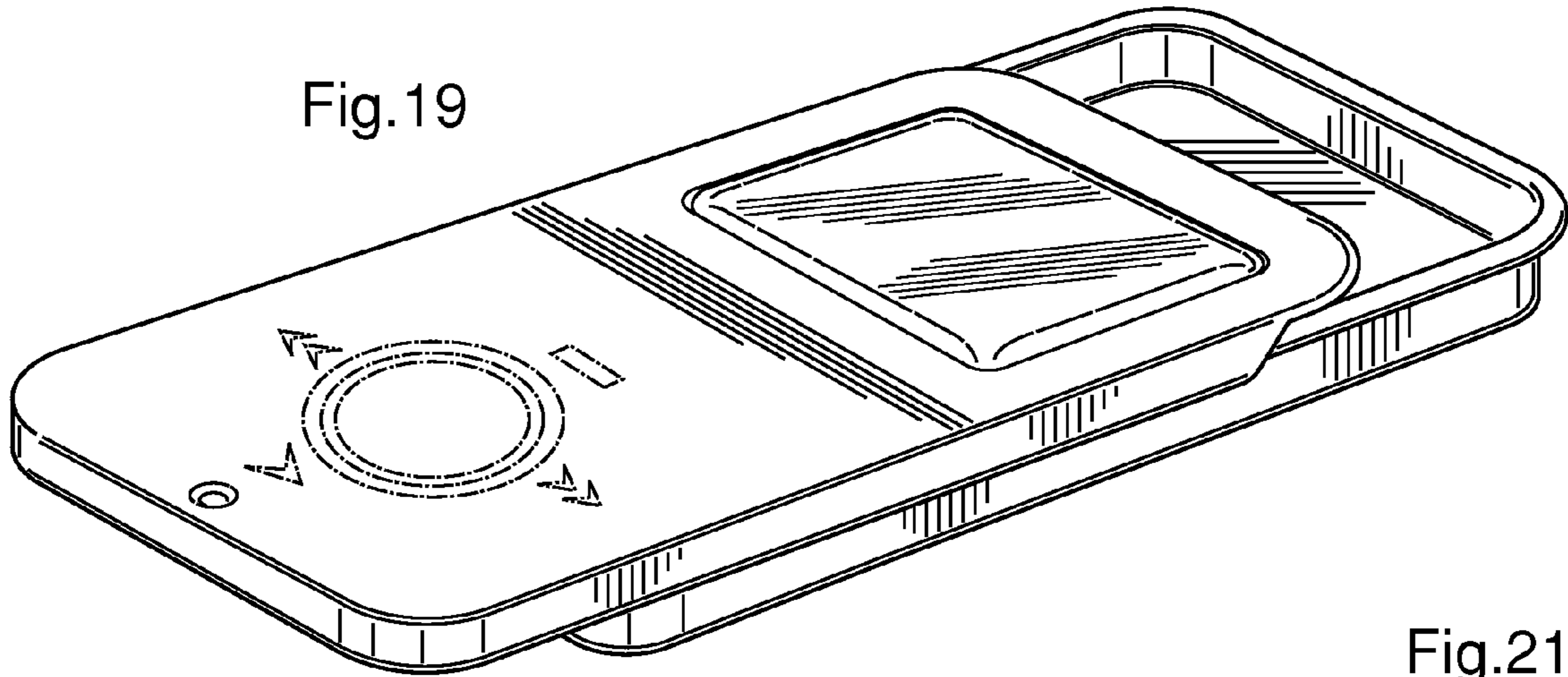


Fig.21

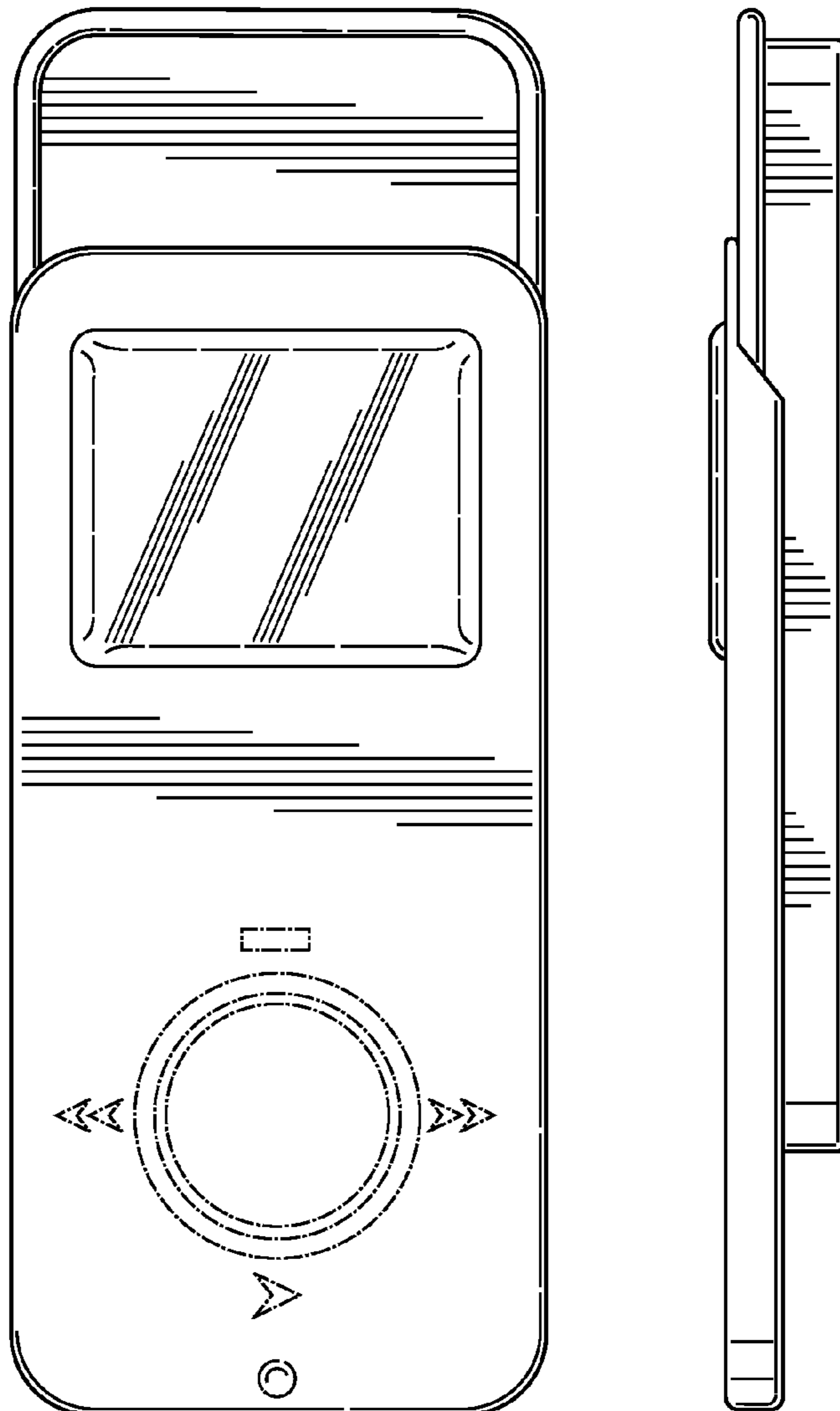


Fig.20

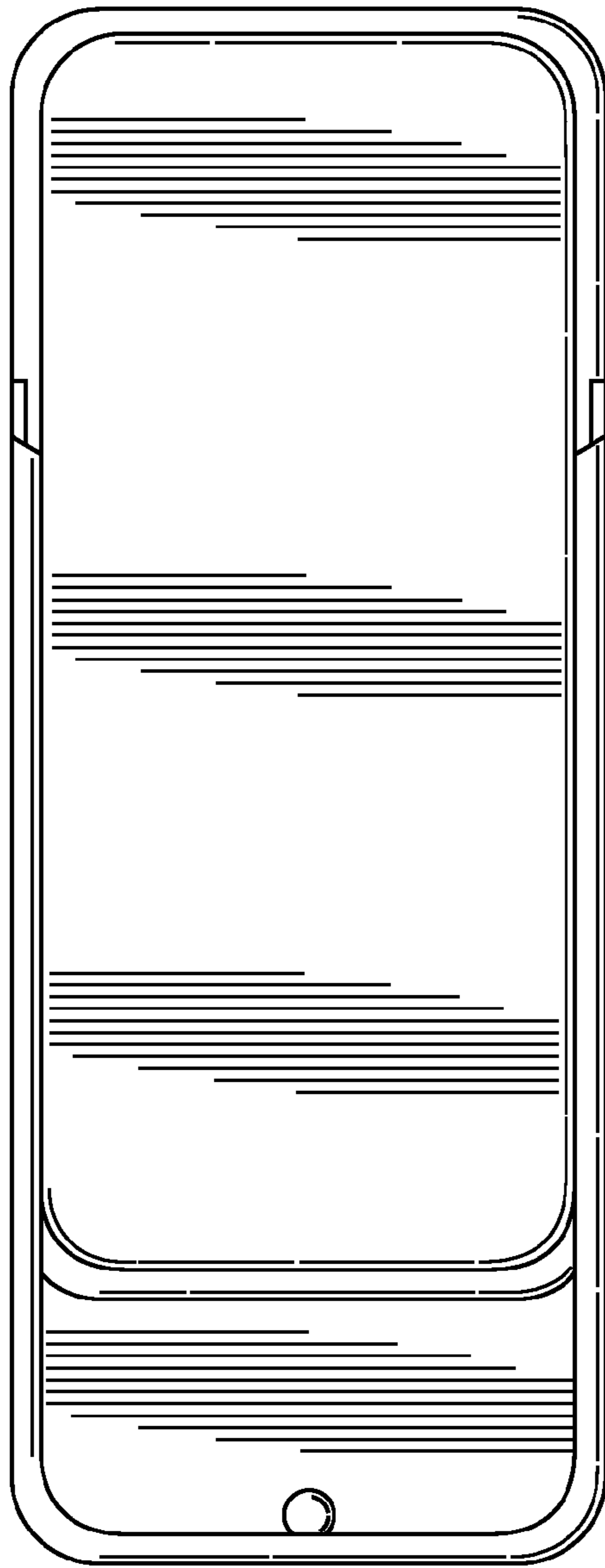


Fig.22

Fig.23

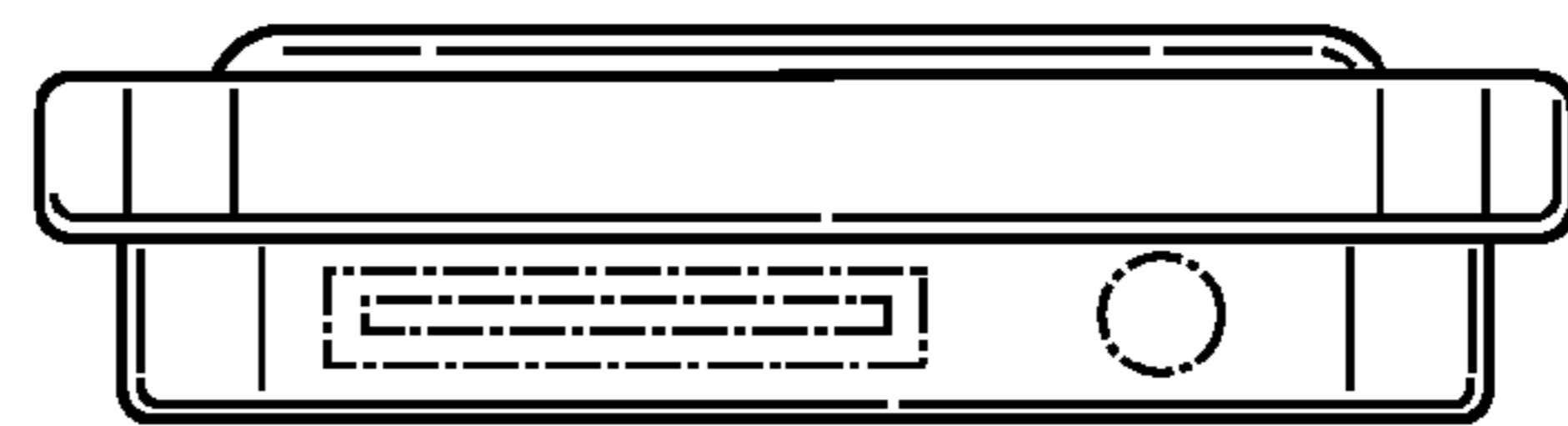


Fig.24

