



US00D592948S

(12) **United States Design Patent**
Mayer

(10) **Patent No.:** **US D592,948 S**

(45) **Date of Patent:** **** May 26, 2009**

(54) **MOISTURE ABSORBING CONTAINER**

(76) Inventor: **Jonathan A. Mayer**, 5720 LaGorce Dr.,
Miami Beach, FL (US) 33140

(**) Term: **14 Years**

(21) Appl. No.: **29/318,292**

(22) Filed: **May 16, 2008**

(51) **LOC (9) Cl.** **09-03**

(52) **U.S. Cl.** **D9/418; D23/359**

(58) **Field of Classification Search** D9/414-416,
D9/418-420, 423-428, 430-432, 434; D7/354,
D7/396.1, 392.1, 394, 538, 543-545, 550.1,
D7/551, 554.3, 587, 566, 584, 586, 629, 667;
220/4.22-4.24, 574, 604-608, 659, 675,
220/781-782, 793, 835, 839, DIG. 14; 206/119,
206/470, 508, 545, 806; 229/406; 219/725,
219/735; D23/355-366; D3/302, 314
See application file for complete search history.

(56) **References Cited**

U.S. PATENT DOCUMENTS

D187,050 S *	1/1960	Erickson	D3/314
D251,153 S *	2/1979	Thompson	D3/302
5,114,003 A	5/1992	Jackisch et al.		
5,148,613 A	9/1992	Cullen		
D332,397 S *	1/1993	Schea et al.	D3/313
D345,910 S *	4/1994	Millwee et al.	D9/418
D366,521 S *	1/1996	Wijaranakula	D23/366
5,743,942 A	4/1998	Shelley et al.		
5,773,105 A	6/1998	Klett		
5,907,908 A	6/1999	Cunanan et al.		
D449,102 S *	10/2001	Shin	D23/366
6,344,072 B1	2/2002	Gustafsson		

D470,017 S *	2/2003	Chan	D7/596
D544,309 S *	6/2007	Gutekunst et al.	D7/591
2005/0274259 A1	12/2005	Young et al.		

* cited by examiner

Primary Examiner—Robert M Spear
Assistant Examiner—Susan E Krakower
(74) *Attorney, Agent, or Firm*—Fleit Gibbons Gutman
Bongini & Bianco; Paul D. Bianco; Martin Fleit

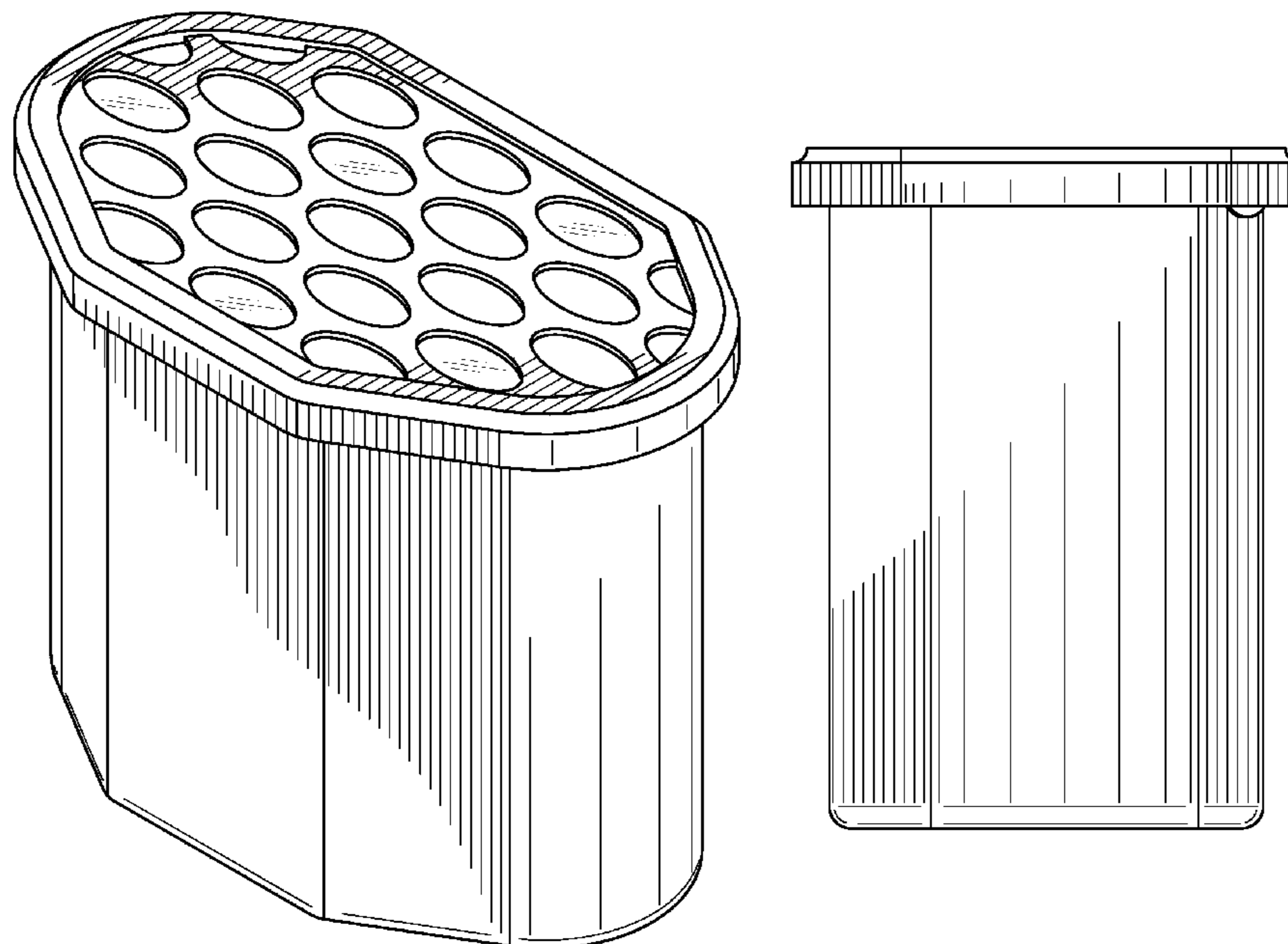
(57) **CLAIM**

The ornamental design for a moisture absorbing container, as shown and described.

DESCRIPTION

FIG. 1 is a rear perspective view of the moisture absorbing container of the subject invention;
FIG. 2 is a left side view thereof;
FIG. 3 is a right side view thereof,
FIG. 4 is a top view thereof;
FIG. 5 is a bottom view thereof;
FIG. 6 is a front view thereof;
FIG. 7 is a rear view thereof;
FIG. 8 is a front perspective view thereof;
FIG. 9 is a front perspective view thereof, shown with the membrane and seal installed and the cover removed;
FIG. 10 is a front perspective view thereof, with the seal removed and the membrane and cover installed; and,
FIG. 11 is a front perspective view thereof, with the cover and the seal removed.

1 Claim, 8 Drawing Sheets



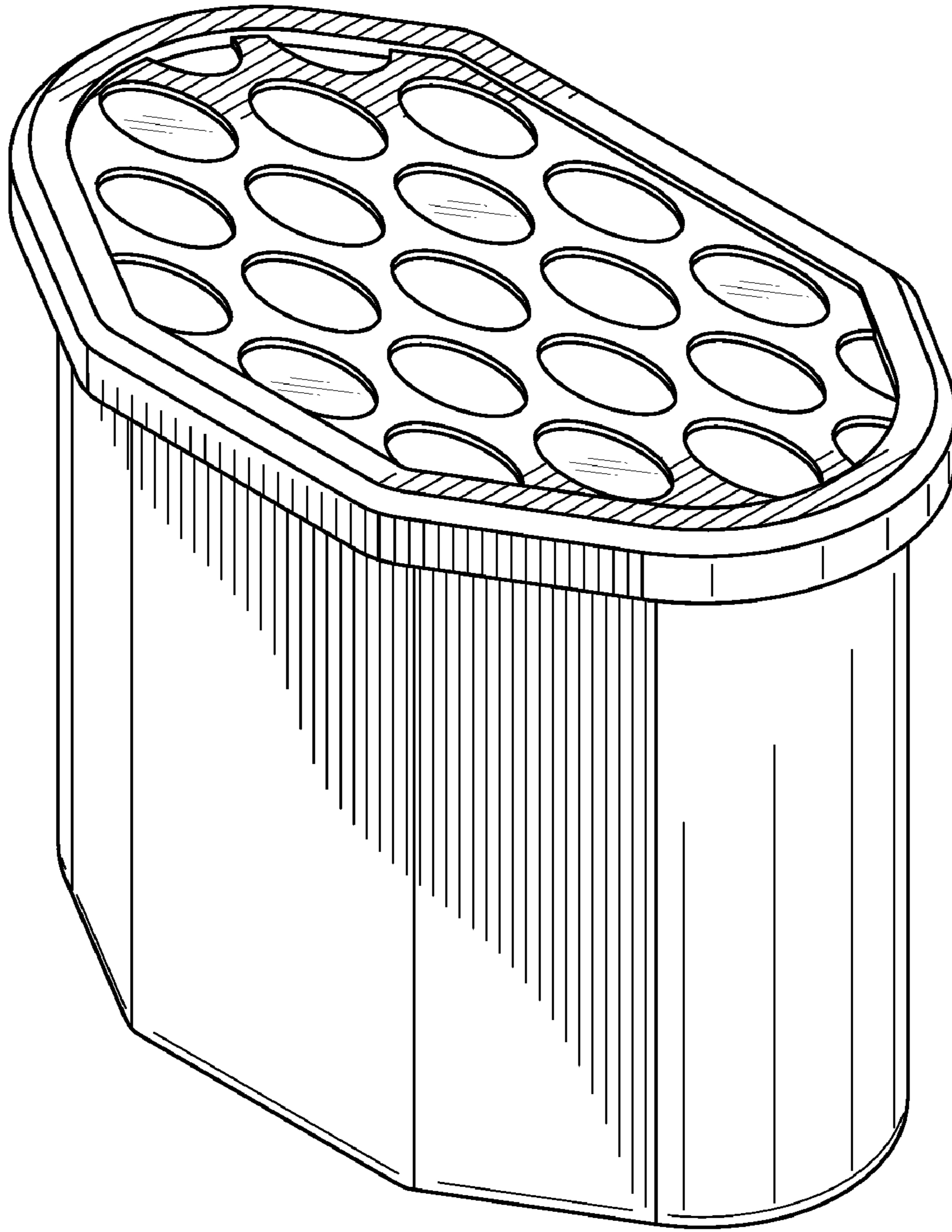


FIG. 1

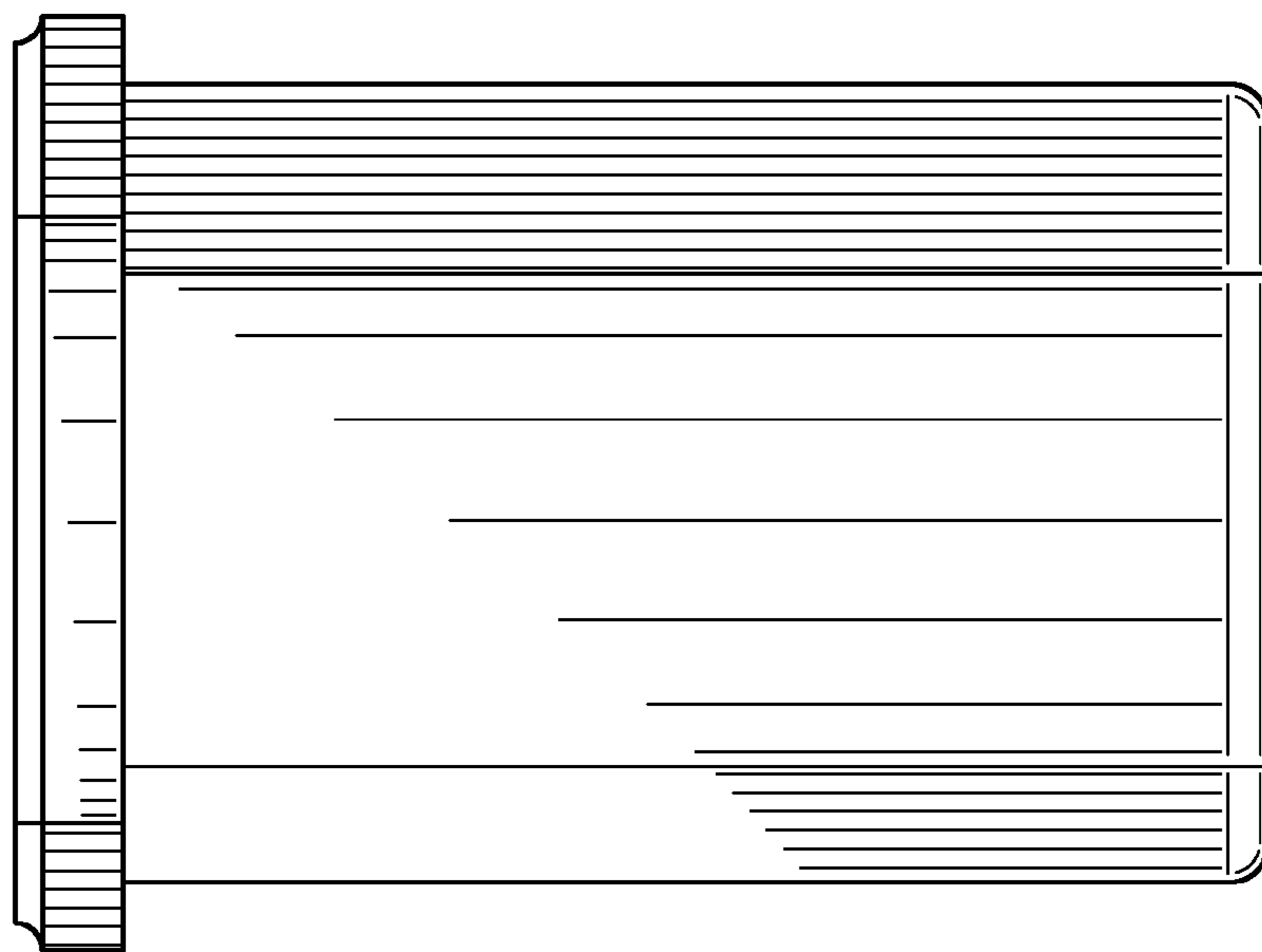


FIG. 2

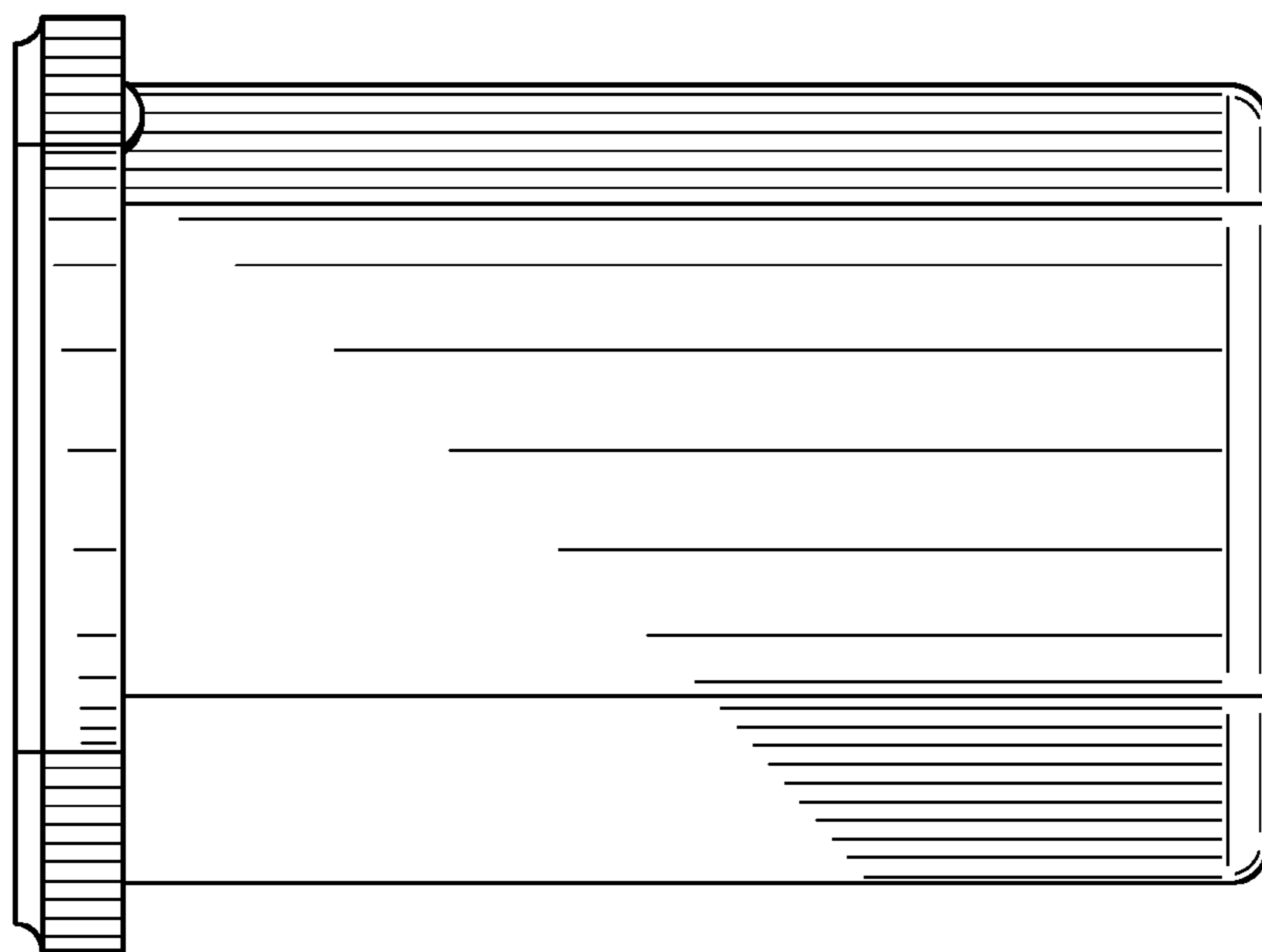


FIG. 3

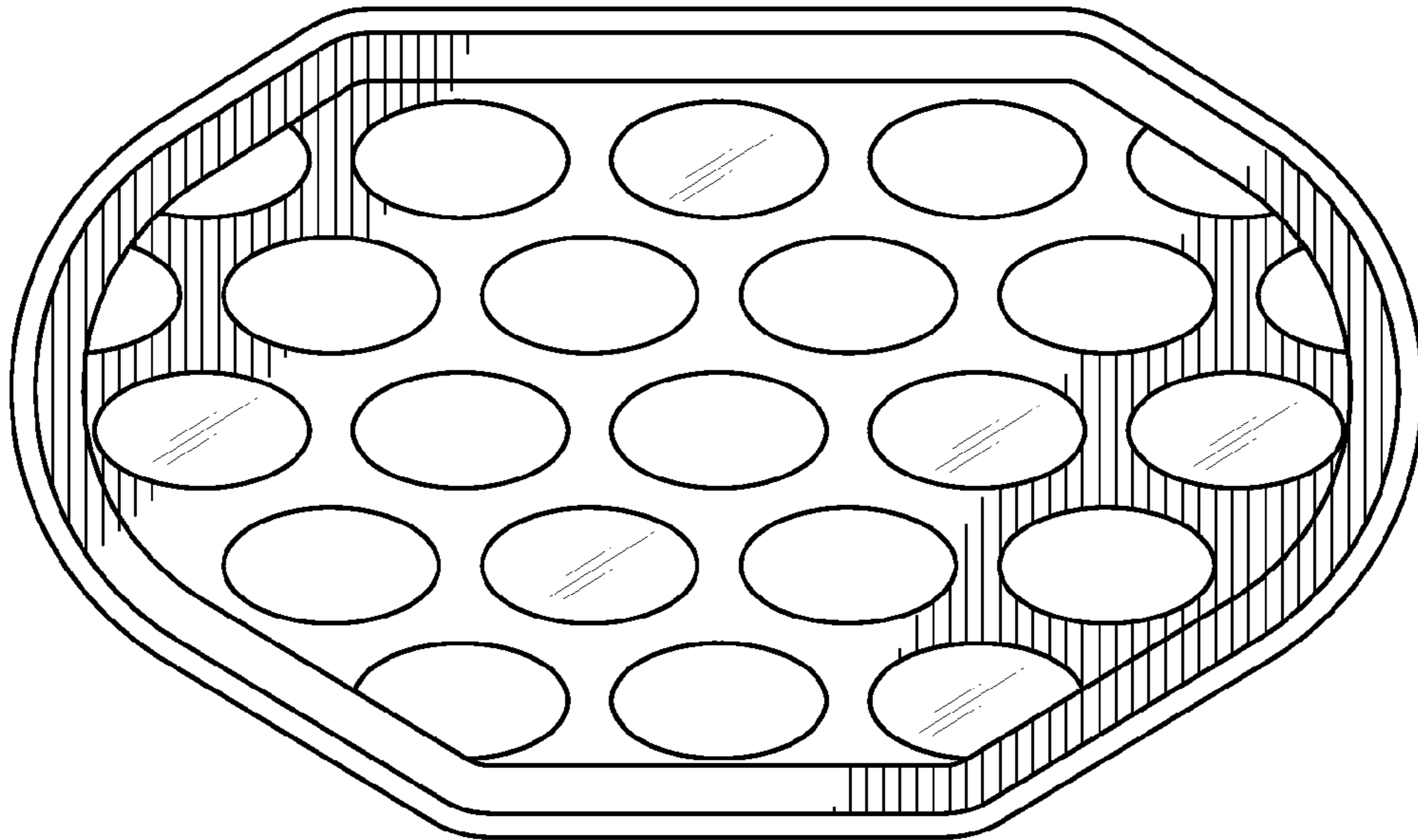


FIG. 4

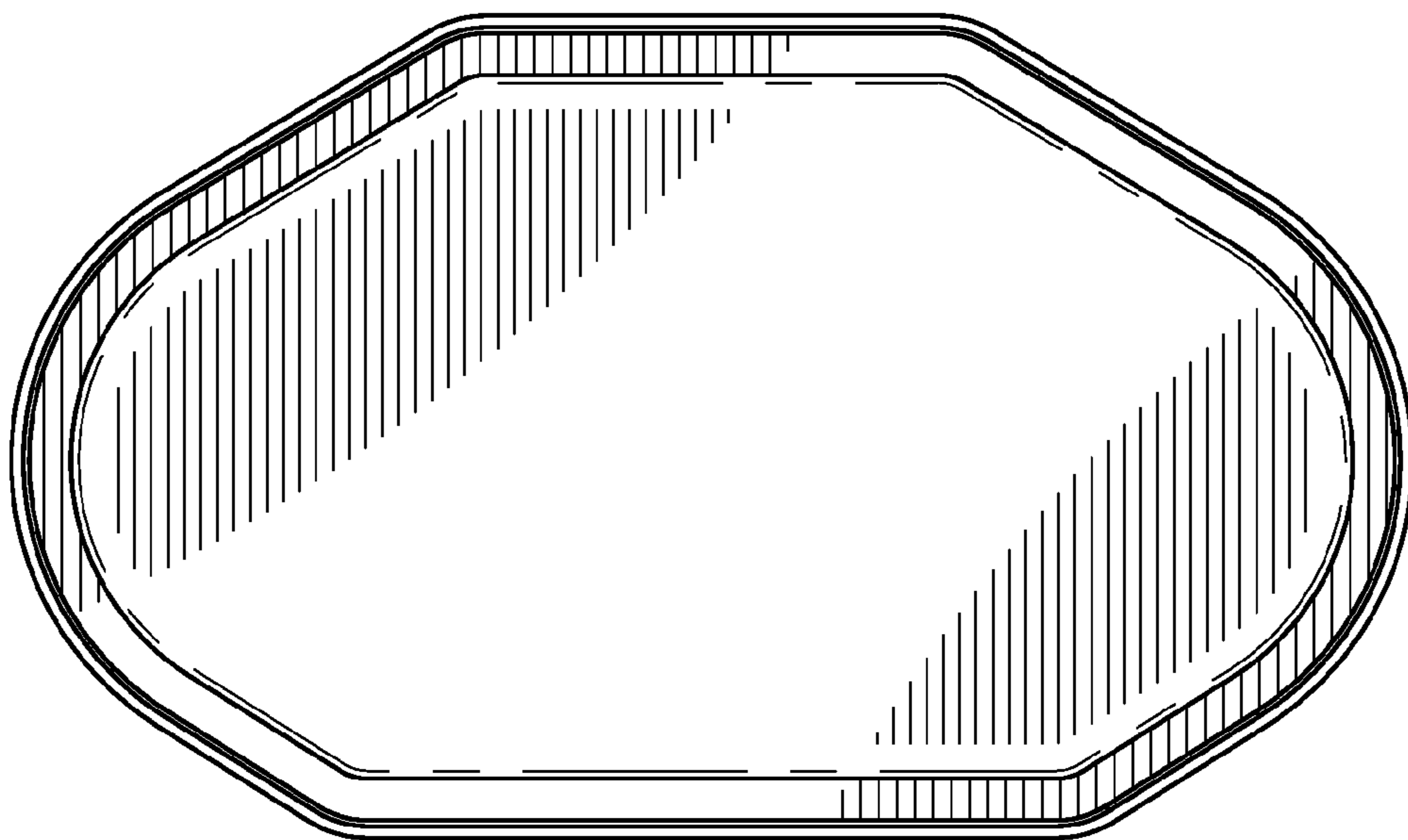


FIG. 5

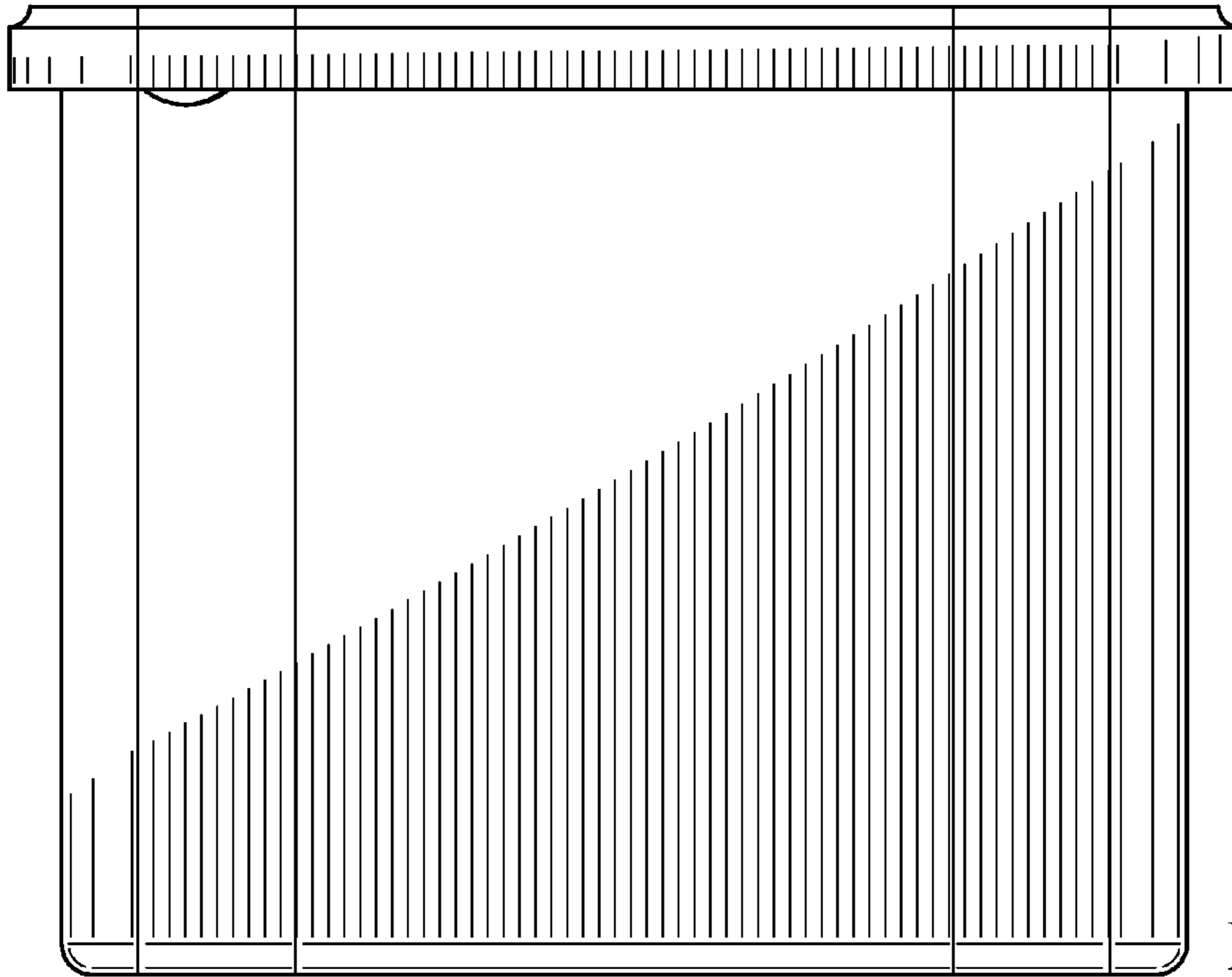


FIG. 6

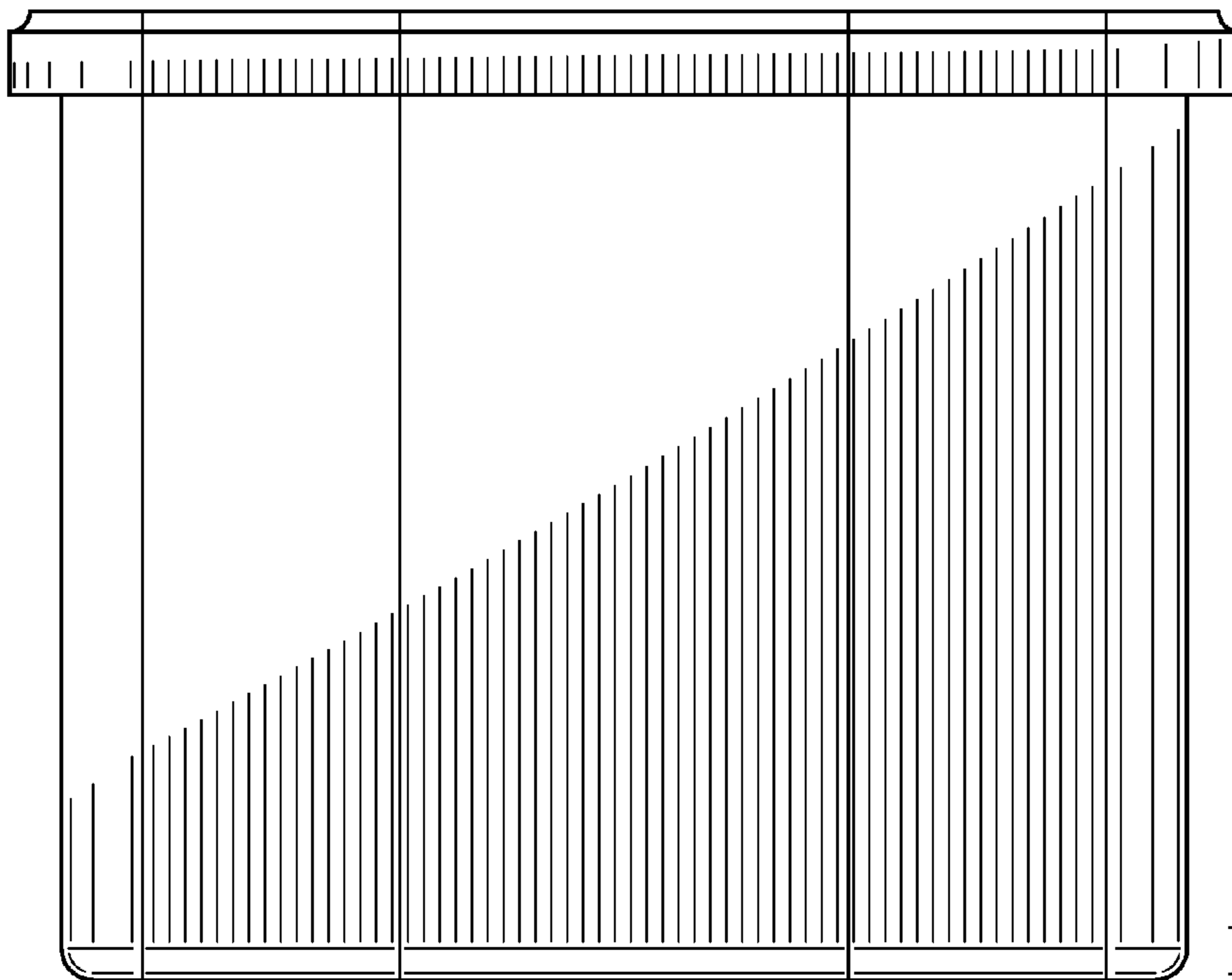


FIG. 7

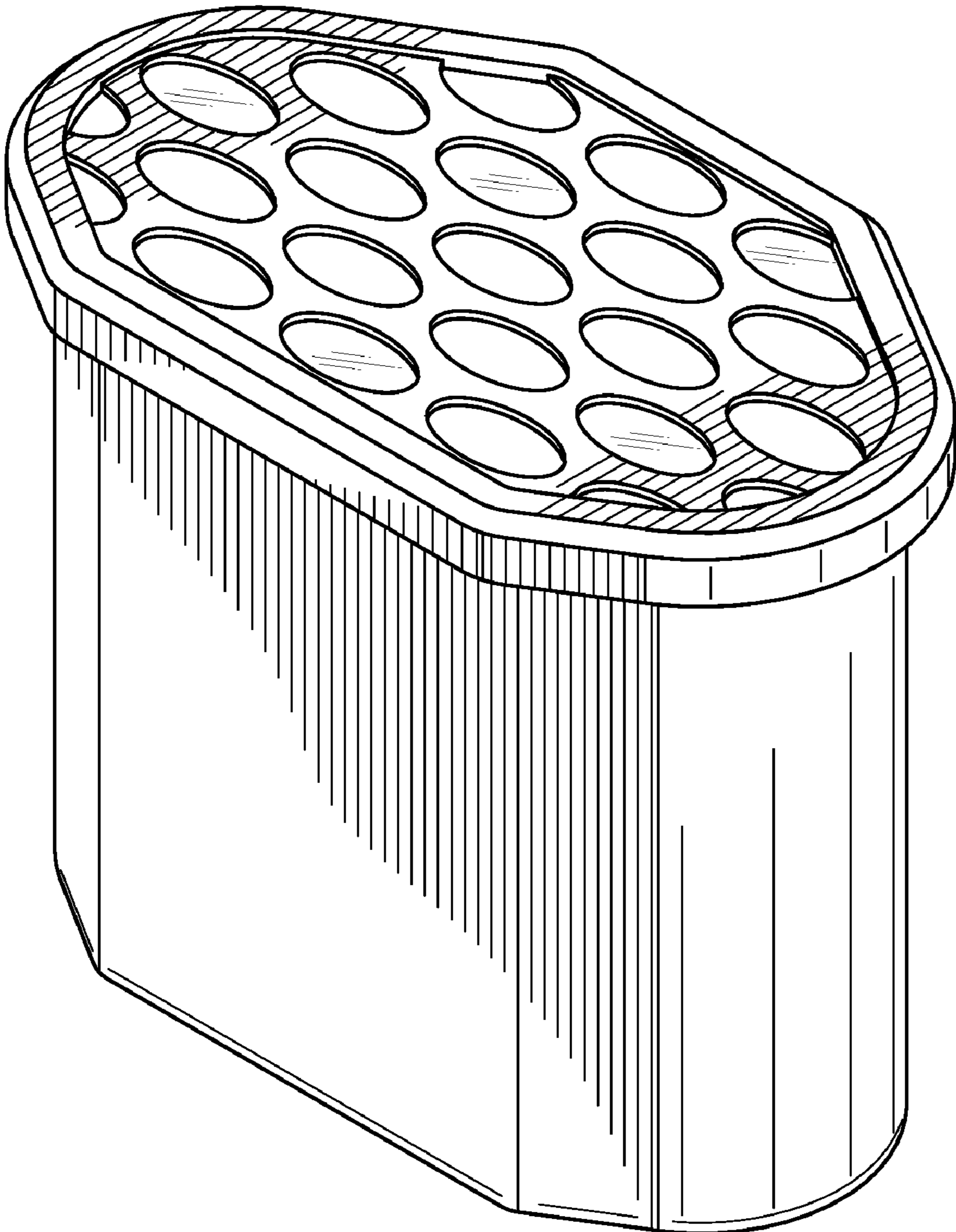


FIG. 8

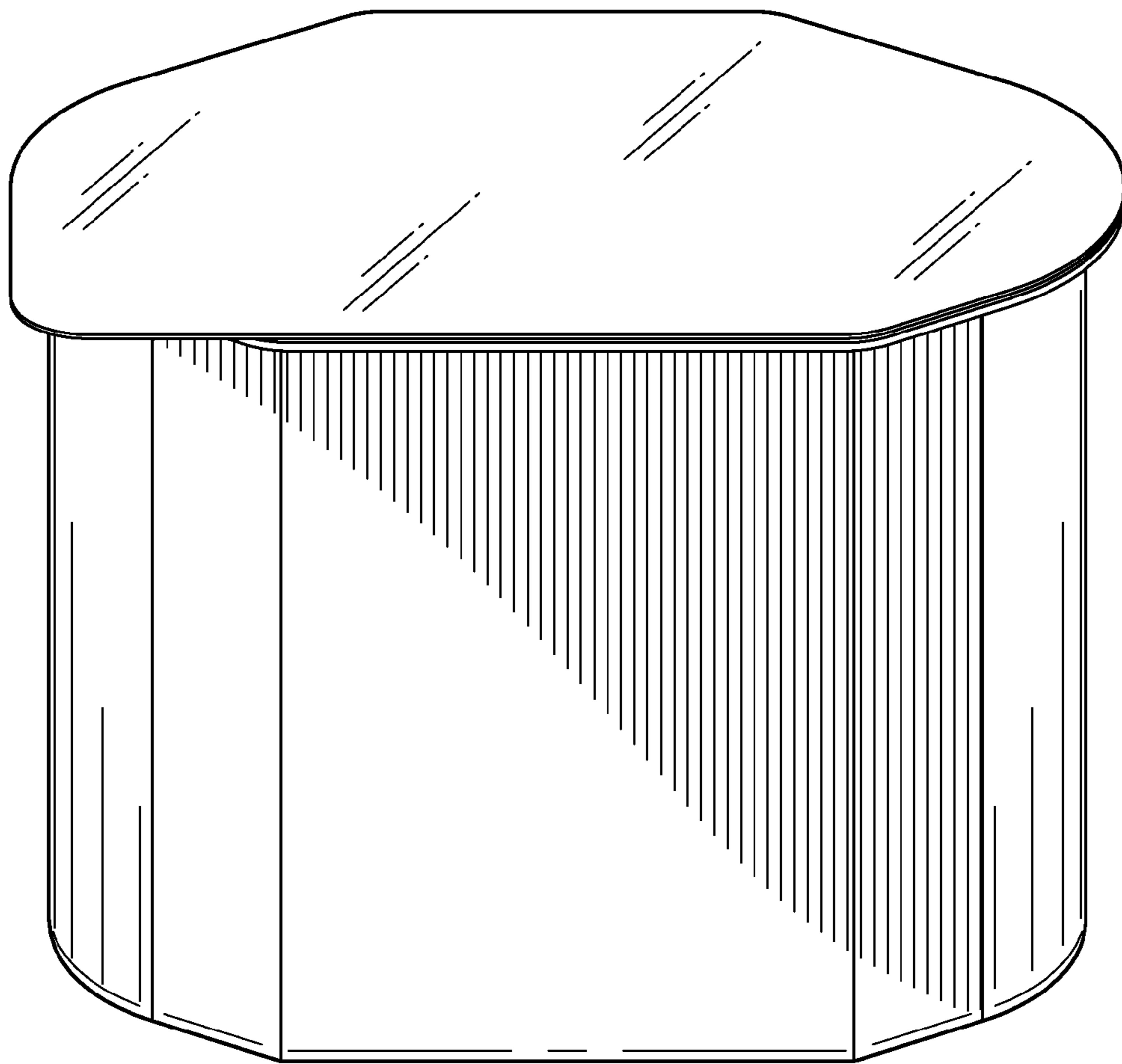


FIG. 9

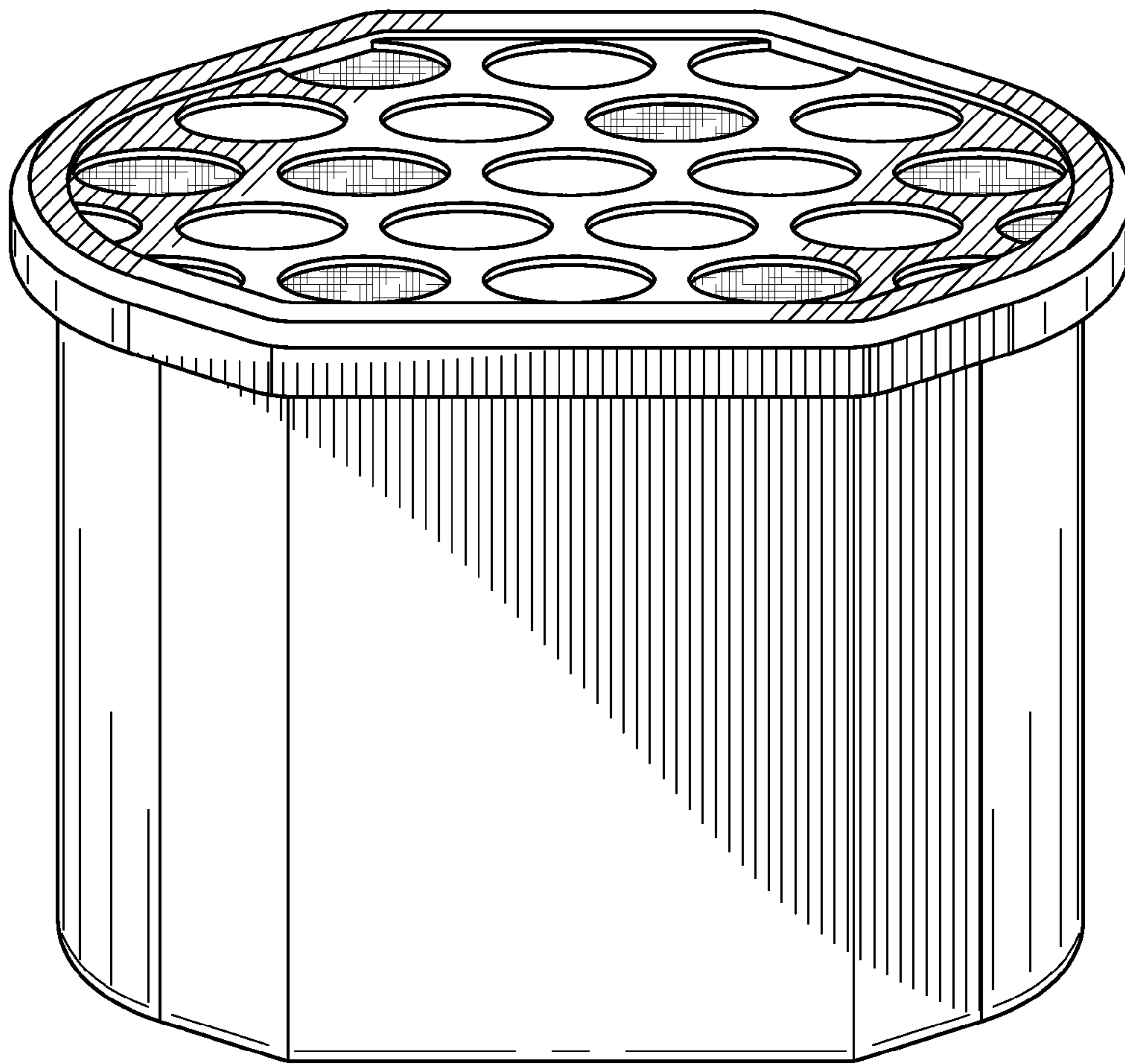


FIG. 10

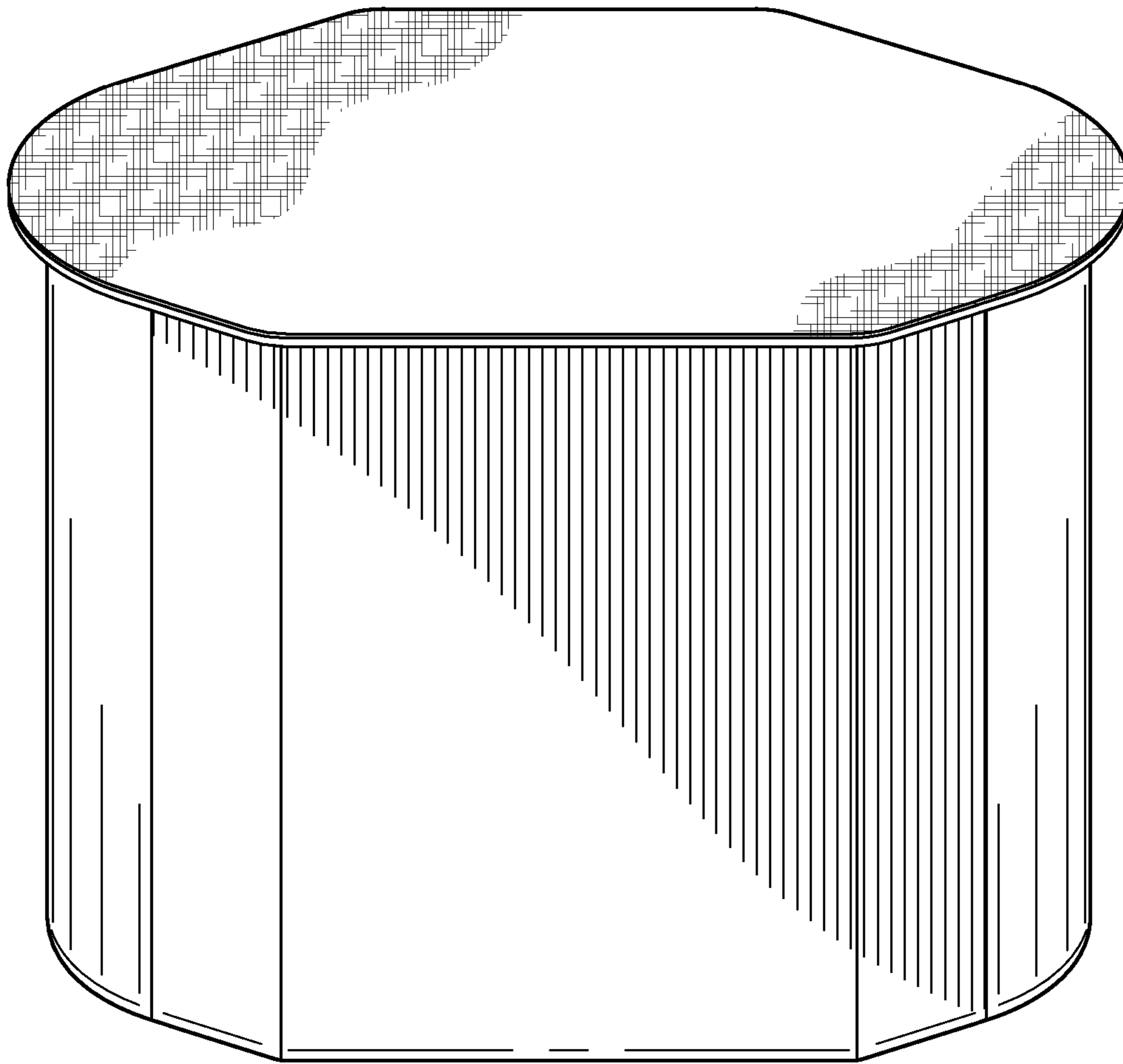


FIG. 11