

US00D592941S

(12) **United States Design Patent**
Calabro

(10) **Patent No.:** **US D592,941 S**

(45) **Date of Patent:** **** May 26, 2009**

(54) **SPIN BAG BRACKET**

(76) **Inventor:** **Fred Calabro**, 620 Camino De Los Mares #E471, San Clemente, CA (US) 92673

(**) **Term:** **14 Years**

(21) **Appl. No.:** **29/296,357**

(22) **Filed:** **Oct. 18, 2007**

(51) **LOC (9) Cl.** **08-05**

(52) **U.S. Cl.** **D8/363**

(58) **Field of Classification Search** D8/354, D8/349, 363, 373; 482/83, 87

See application file for complete search history.

(56) **References Cited**

U.S. PATENT DOCUMENTS

2,447,771	A *	8/1948	Rogers	224/533
3,257,094	A *	6/1966	Vischer, Jr.	251/129.11
3,510,131	A *	5/1970	Gardner	482/90
5,286,241	A *	2/1994	Petrakis	482/87

* cited by examiner

Primary Examiner—Holly H Baynham
(74) *Attorney, Agent, or Firm*—QuickPatents, Inc.; Kevin Prince

(57) **CLAIM**

I claim the ornamental design for a spin bag bracket, as shown and described.

DESCRIPTION

FIG. 1 is a perspective view of a spin bag bracket, showing my new design;

FIG. 2 is a front elevational view of the invention;

FIG. 3 is a rear elevational view of the invention;

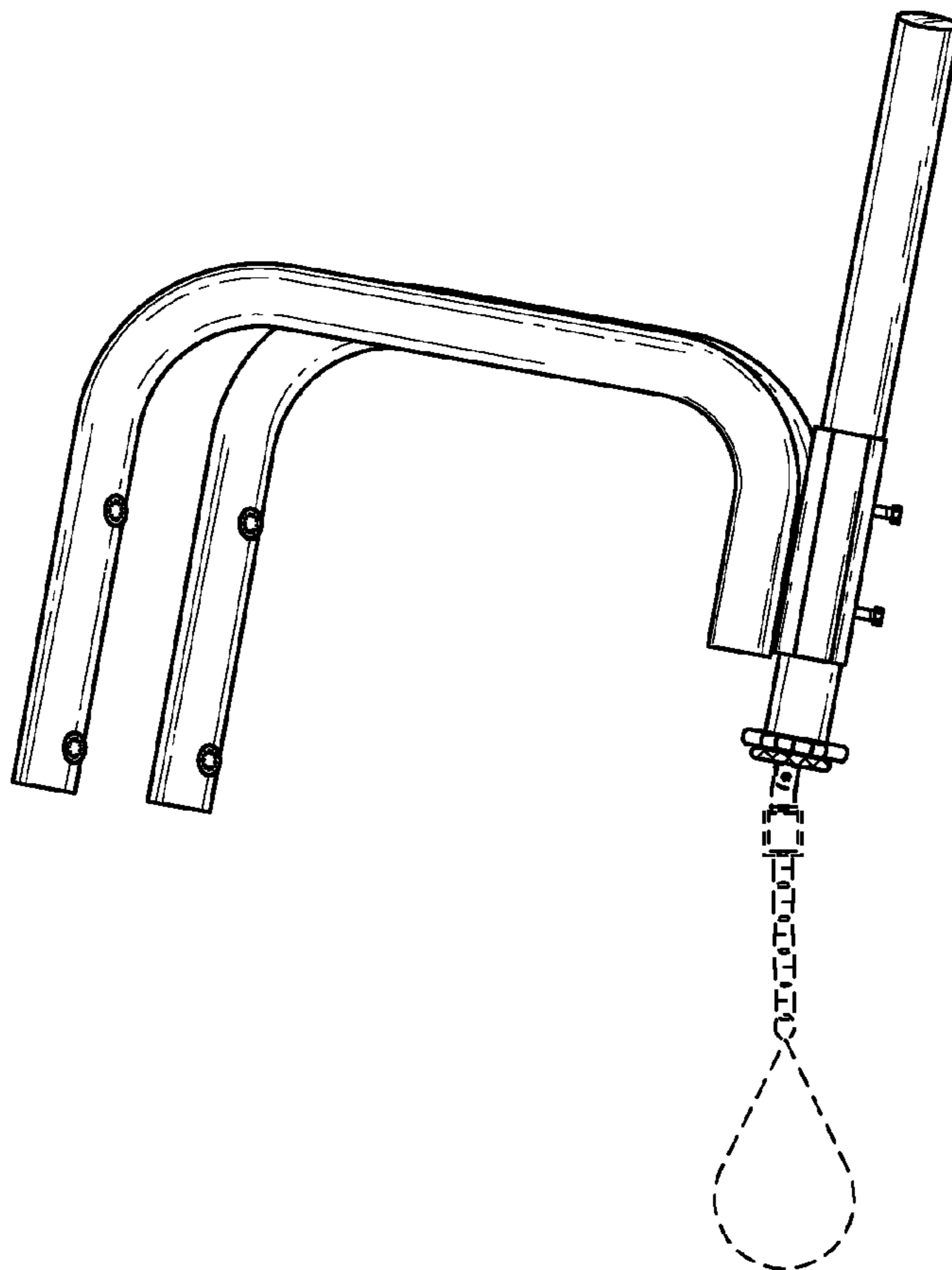
FIG. 4 is a left-side elevational view of the invention, the right-side elevational view being a mirror image thereof;

FIG. 5 is a bottom plan view of the invention; and,

FIG. 6 is a top plan view of the invention.

The broken line showing a suspended punching bag in the Figures is included for the purpose of illustrating the invention in use, and forms no part of the claimed design.

1 Claim, 3 Drawing Sheets



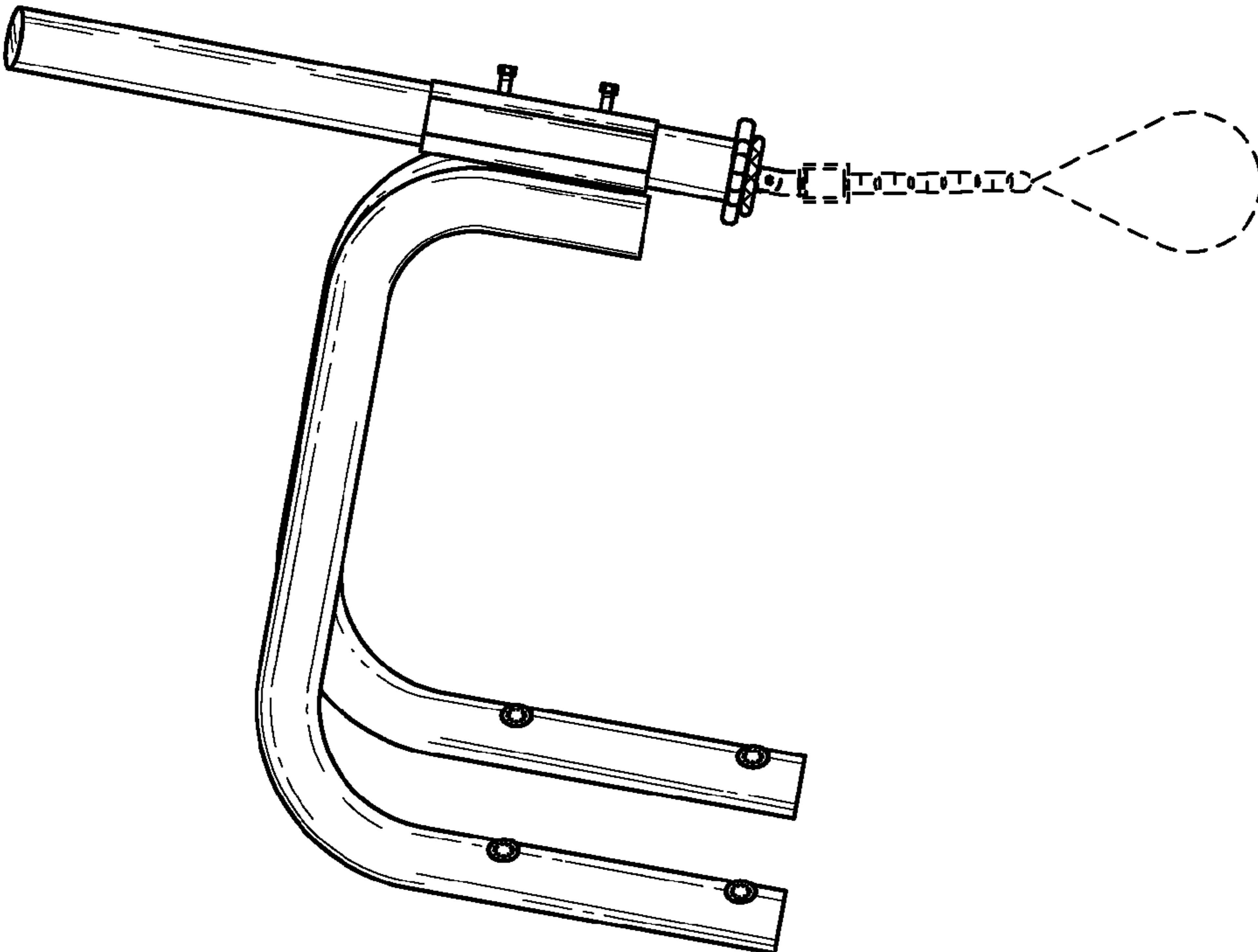


Fig. 1

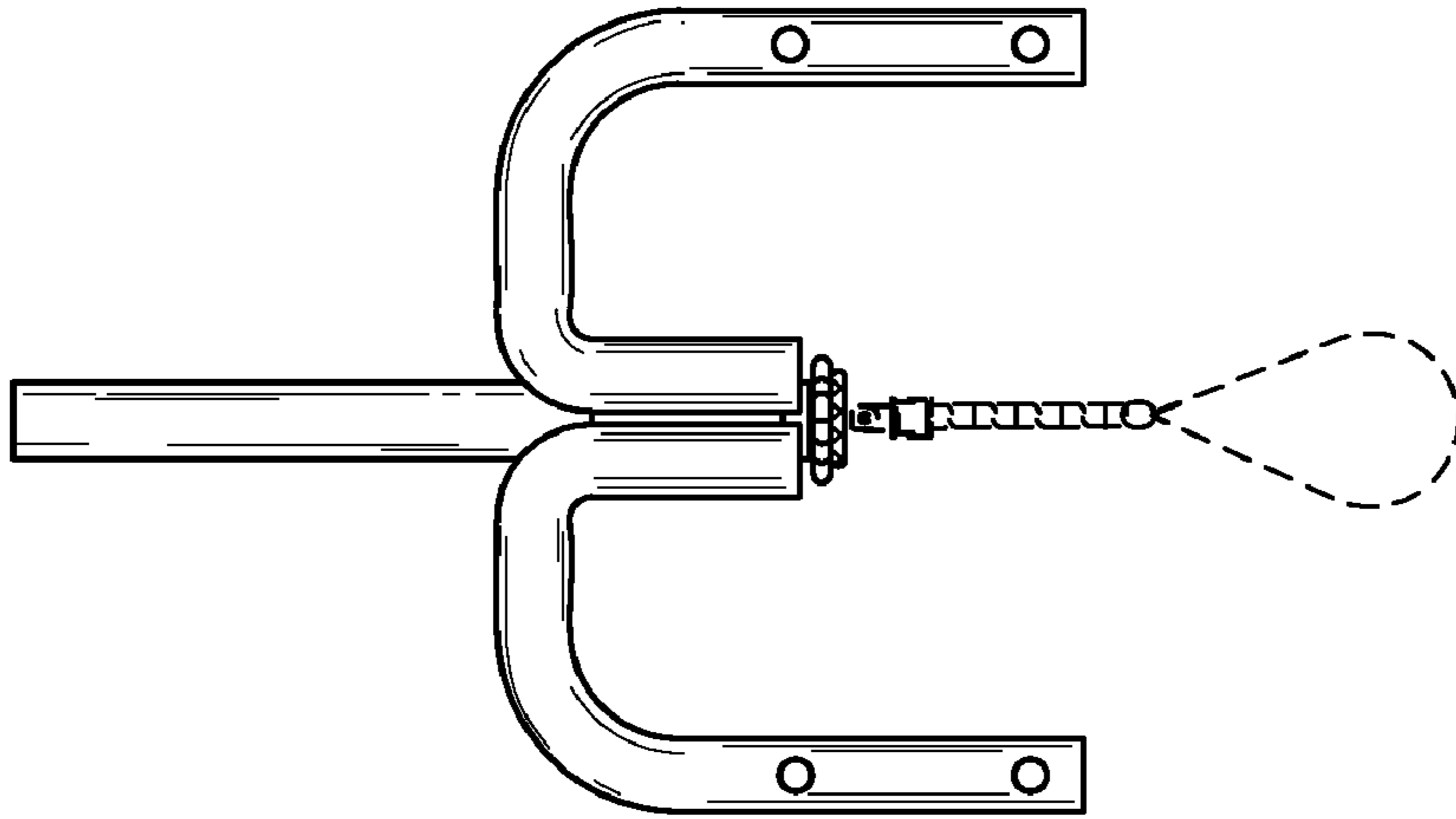


Fig. 3

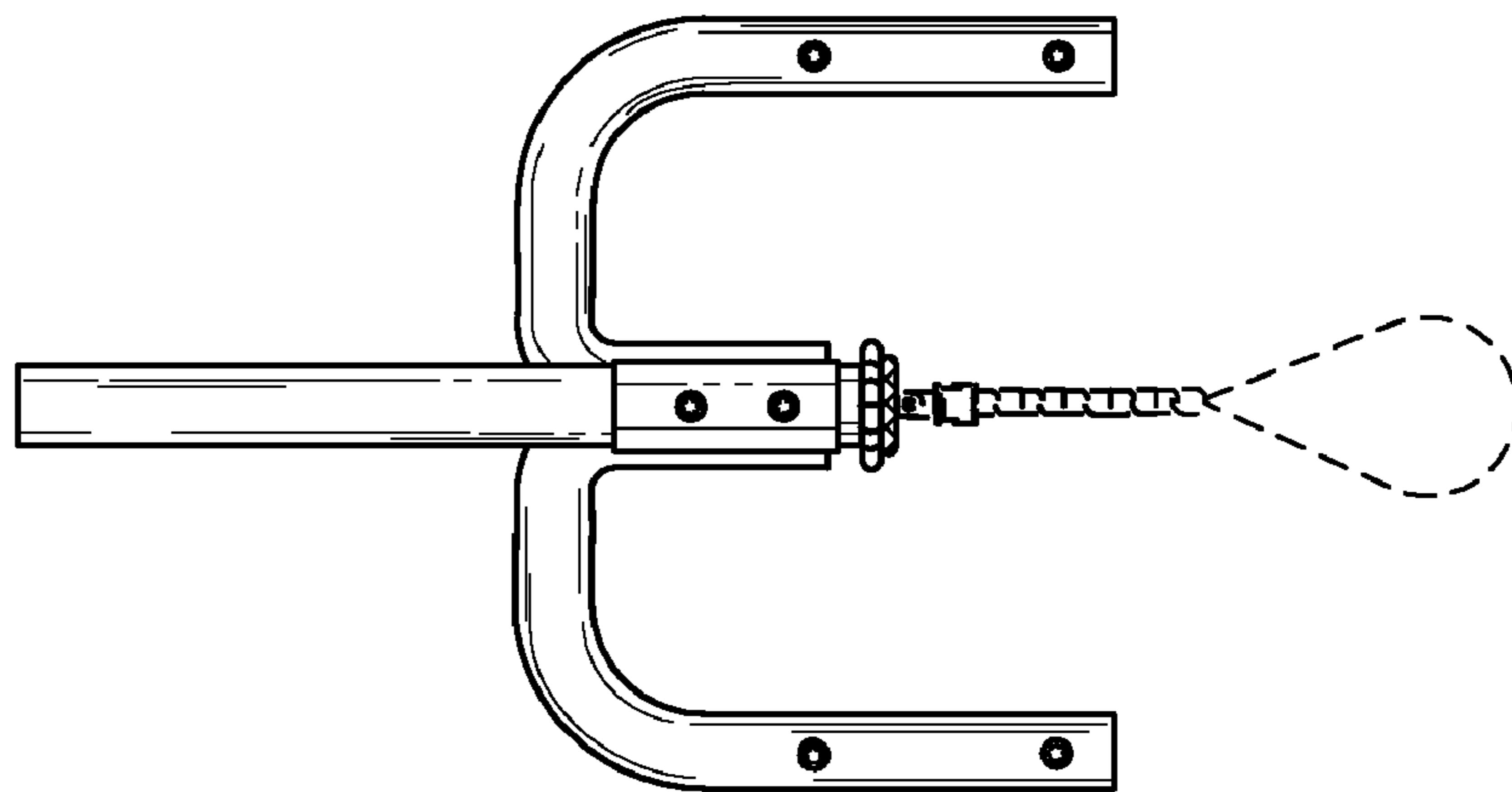


Fig. 2

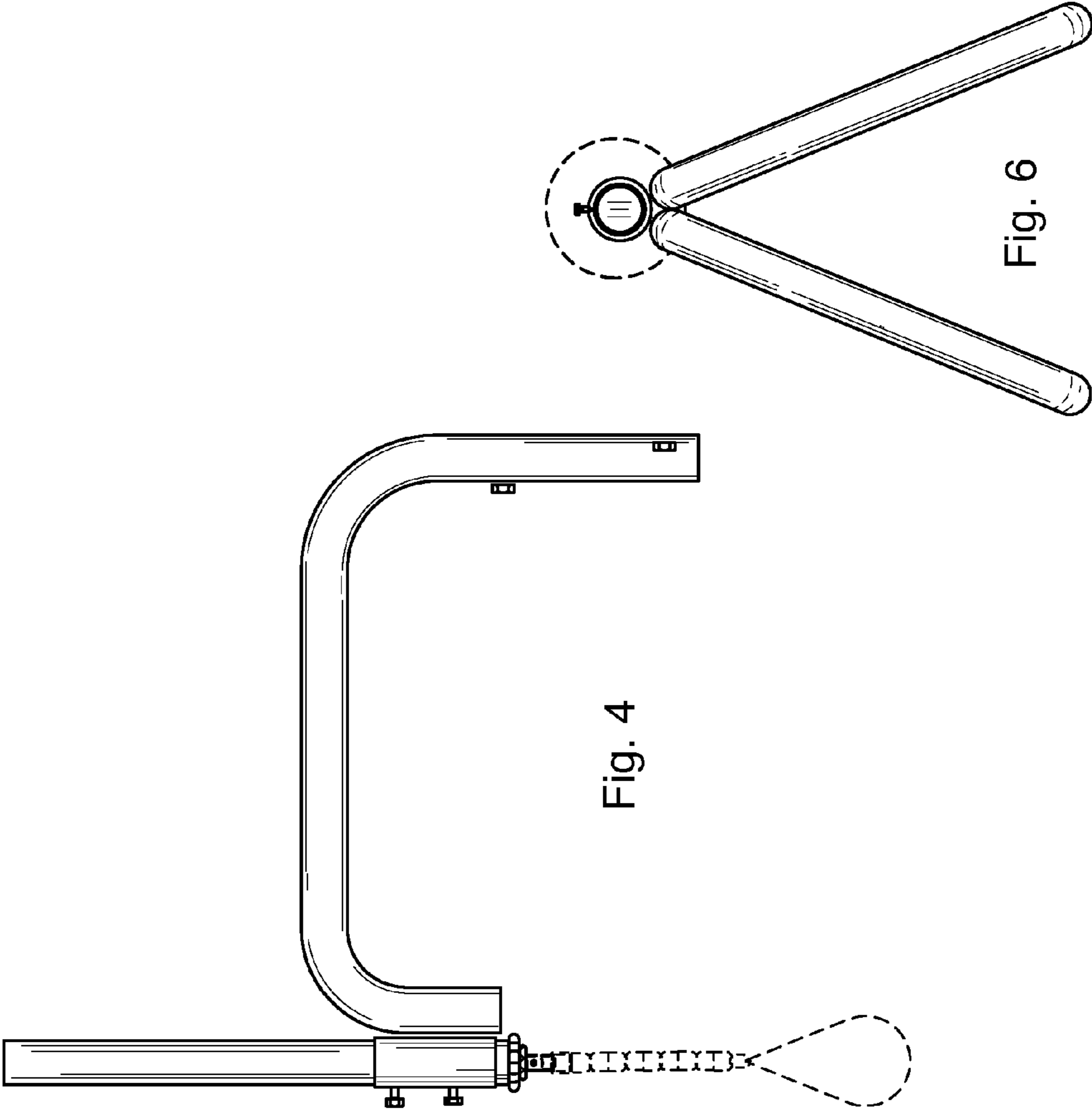


Fig. 4

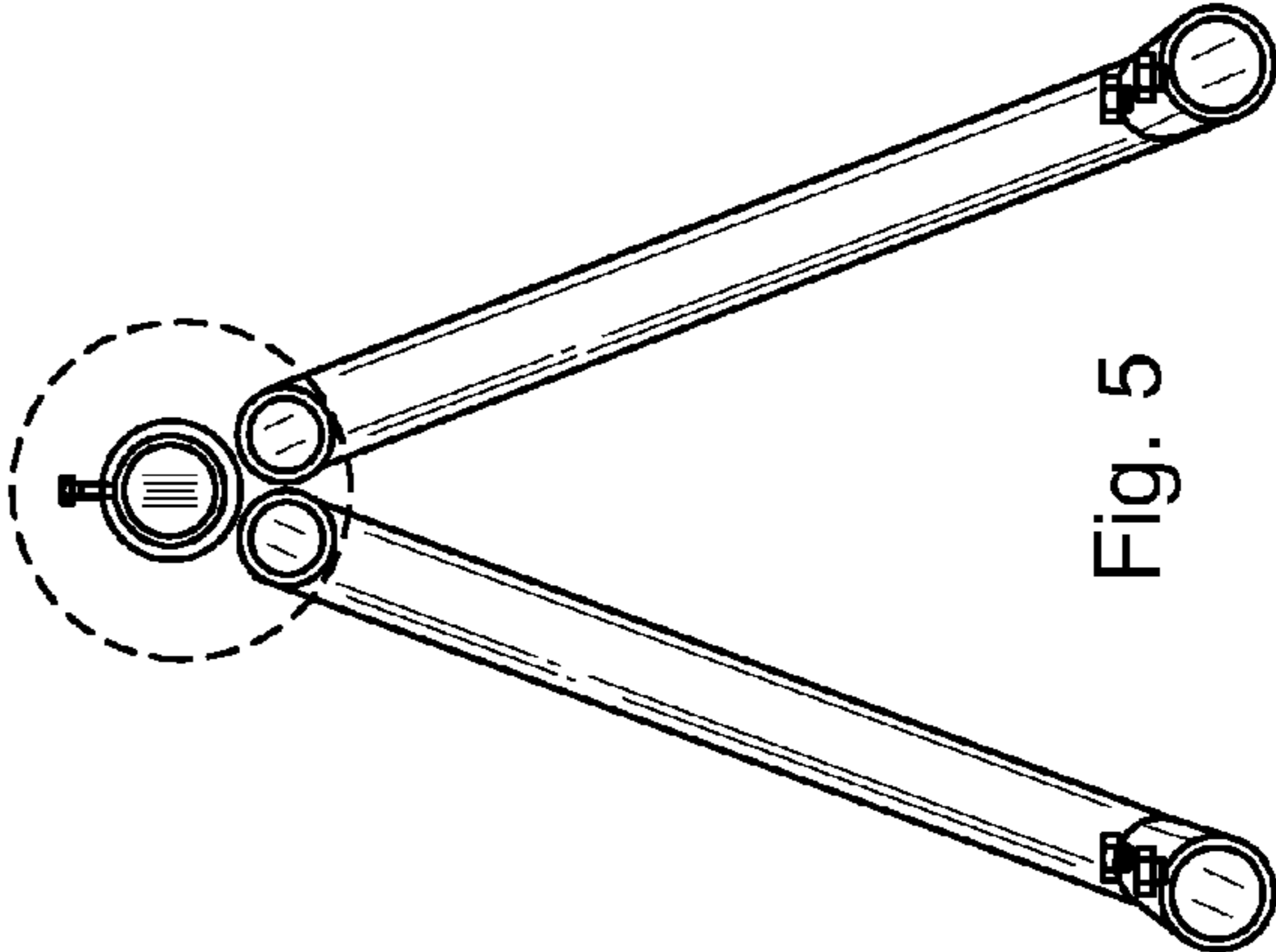


Fig. 5

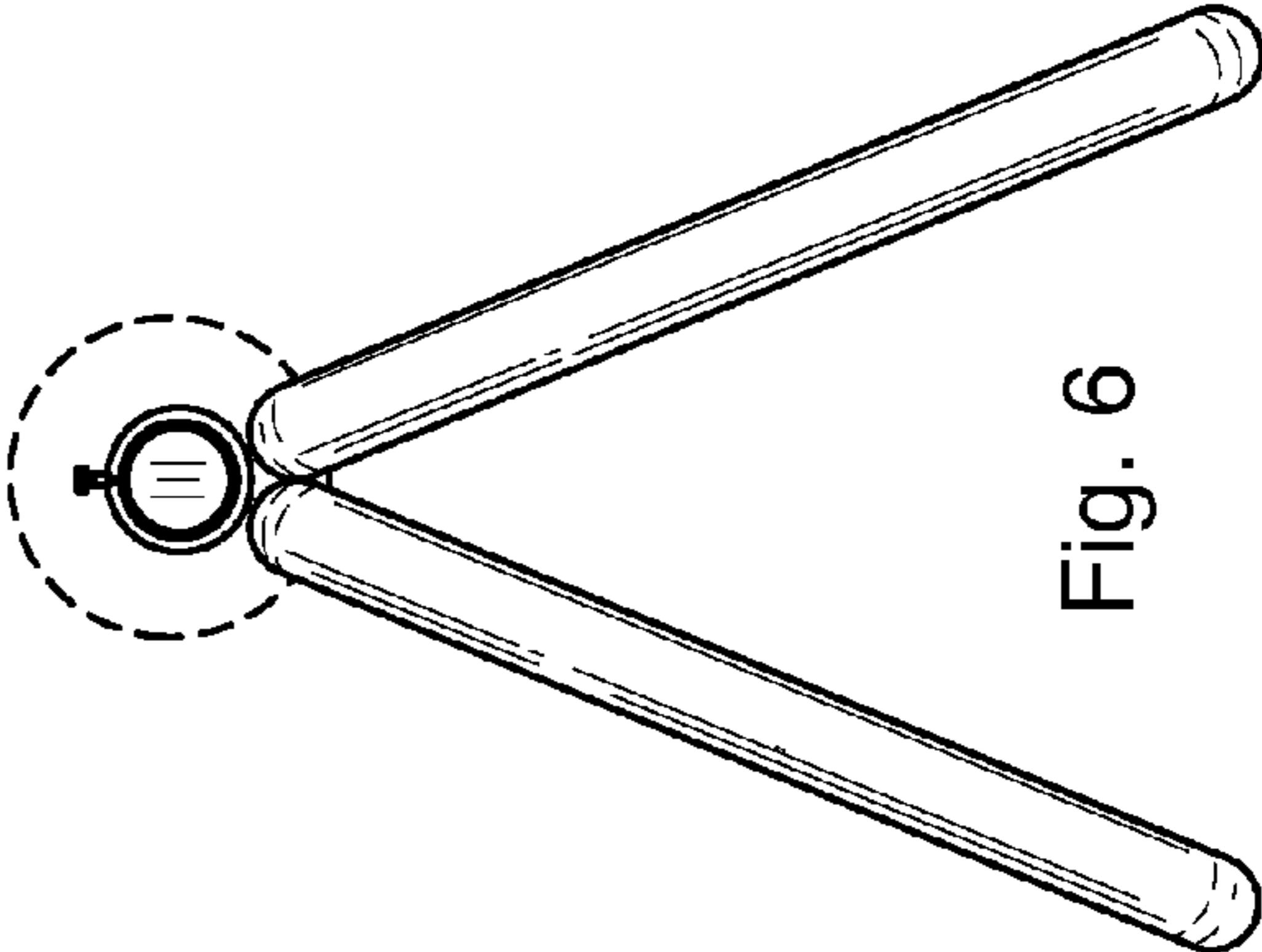


Fig. 6