



US00D592940S

(12) **United States Design Patent**
Robshaw

(10) **Patent No.:** **US D592,940 S**

(45) **Date of Patent:** **** May 26, 2009**

(54) **SUPPORT FOR WOUND MATERIAL**

D521,862 S * 5/2006 Siethoff et al. D9/432

(76) Inventor: **John L. Robshaw**, 112 Telmore Rd.,
Warwick, RI (US) 02818

* cited by examiner

Primary Examiner—Susan Bennett Hattan

(74) *Attorney, Agent, or Firm*—Robert J Doherty

(**) Term: **14 Years**

(21) Appl. No.: **29/291,306**

(57) **CLAIM**

(22) Filed: **Aug. 24, 2007**

The ornamental design for a support for wound material, as shown and described.

(51) **LOC (9) Cl.** **08-05**

DESCRIPTION

(52) **U.S. Cl.** **D8/358**; D8/356; D9/456

(58) **Field of Classification Search** D8/359,
D8/358, 356, 308, 382; D14/475; D13/137.4;
33/770, 755; 242/614.1, 605, 405, 405.3,
242/378.4, 378.2, 171, 170; 239/198, 197;
137/355.23–355.28, 355.2, 355.19, 15.08;
128/205.2; D9/456, 432, 434; 206/387.1,
206/232

FIG. 1 is a top perspective view of a support for wound material showing my new design;

FIG. 2 is a top perspective view similar to FIG. 1 with the wound material removed for clarity;

FIG. 3 is a top plan view of FIG. 2;

FIG. 4 is a bottom plan view of FIG. 2;

FIG. 5 is a front elevational view of FIG. 2;

FIG. 6 is a rear elevational view of FIG. 2;

FIG. 7 is a left side elevational view of FIG. 2; and,

FIG. 8 is a right side elevational view of FIG. 2.

See application file for complete search history.

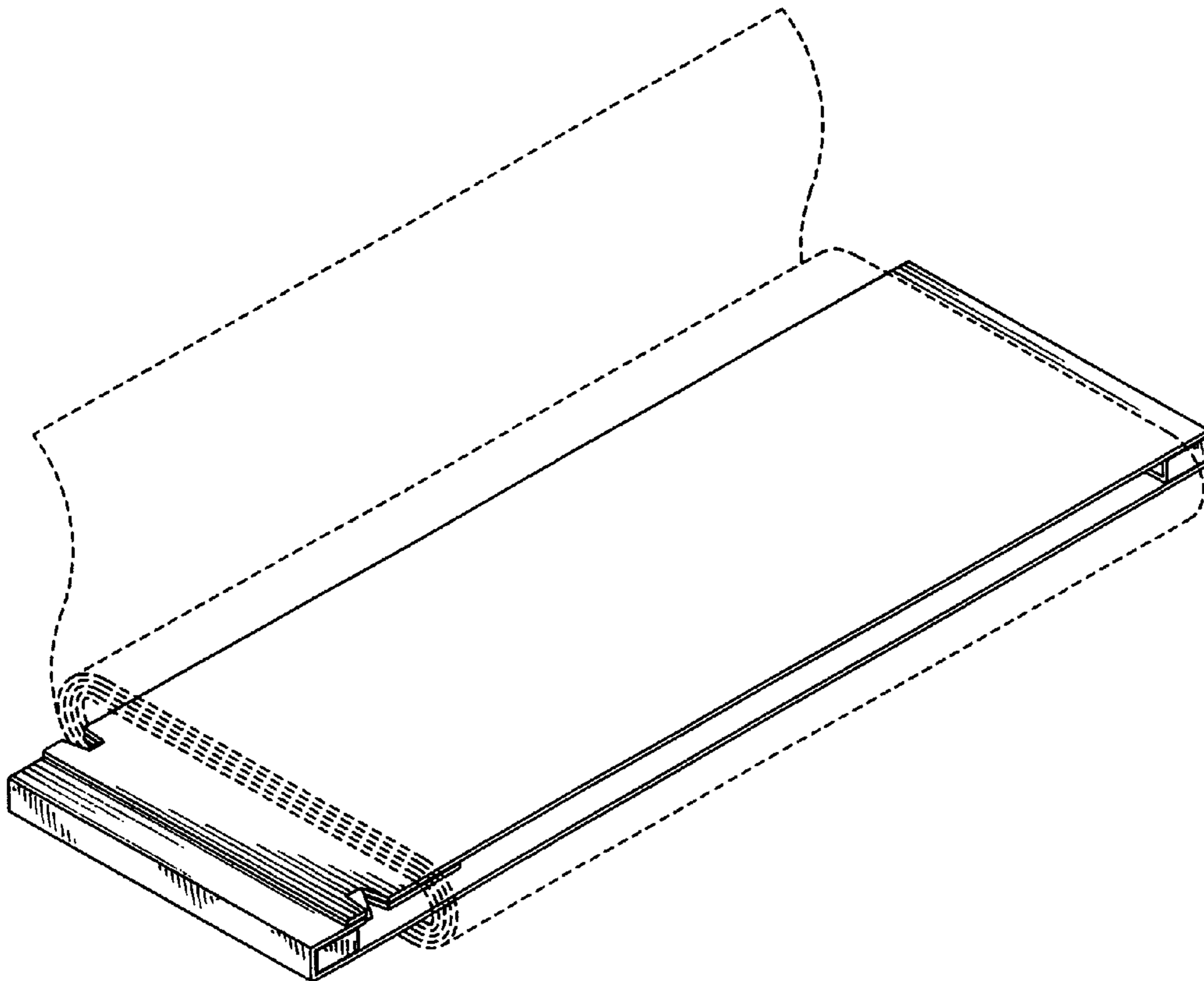
The broken line showing of a material strip wound on the support is for illustrative purposes and forms no part of the claimed design.

(56) **References Cited**

U.S. PATENT DOCUMENTS

- 3,042,337 A * 7/1962 Dinneen 242/405.1
- D266,483 S * 10/1982 Merry D8/382
- 4,987,999 A * 1/1991 Hehn 206/387.1
- 5,096,058 A * 3/1992 Juravin et al. 206/232
- D395,999 S * 7/1998 Schmidt D8/358
- D401,853 S * 12/1998 Stavridis D9/432

1 Claim, 4 Drawing Sheets



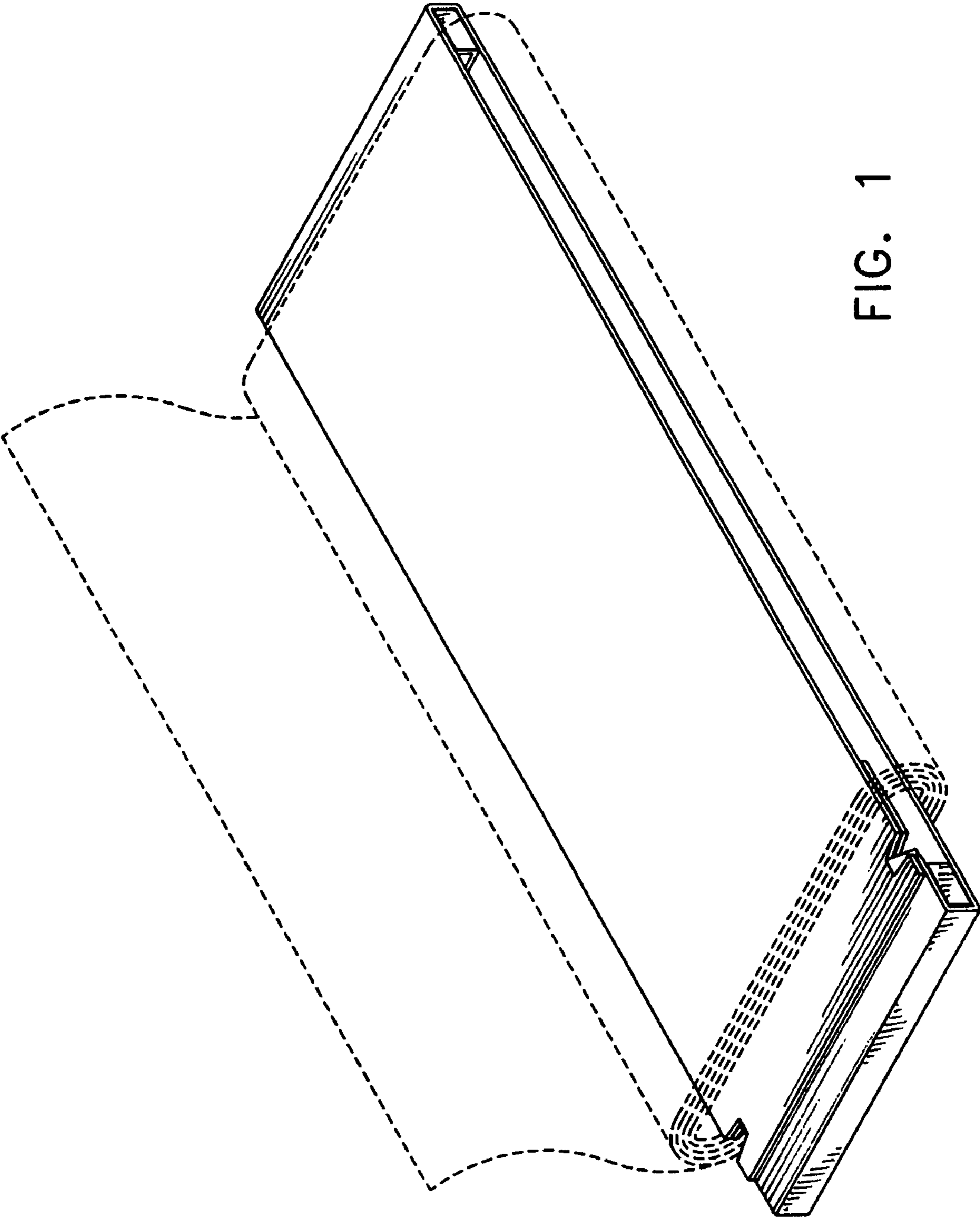


FIG. 1

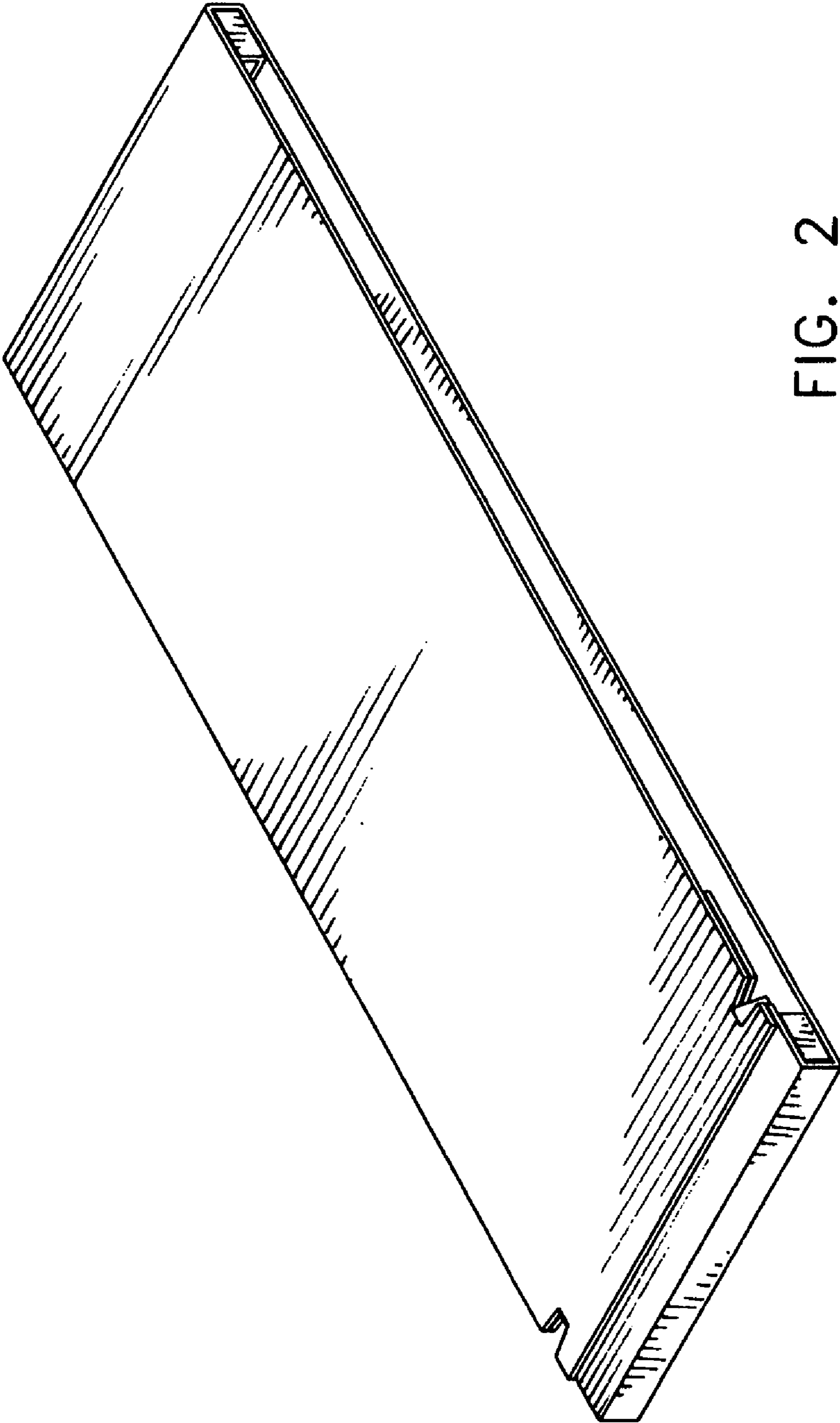


FIG. 2

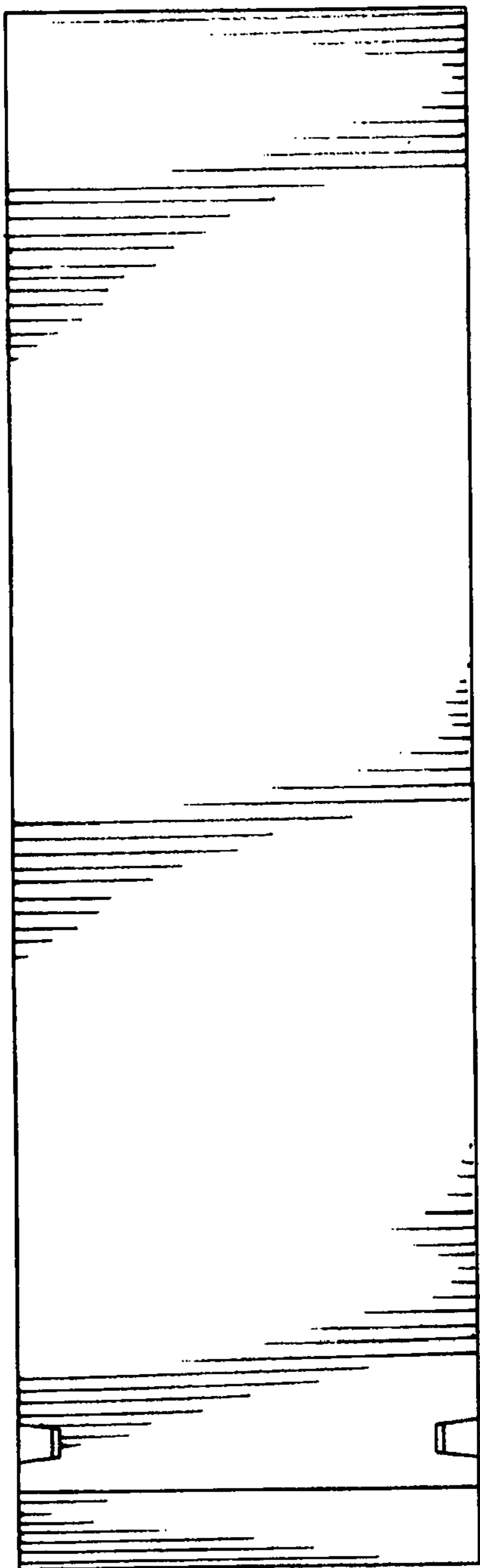


FIG. 3

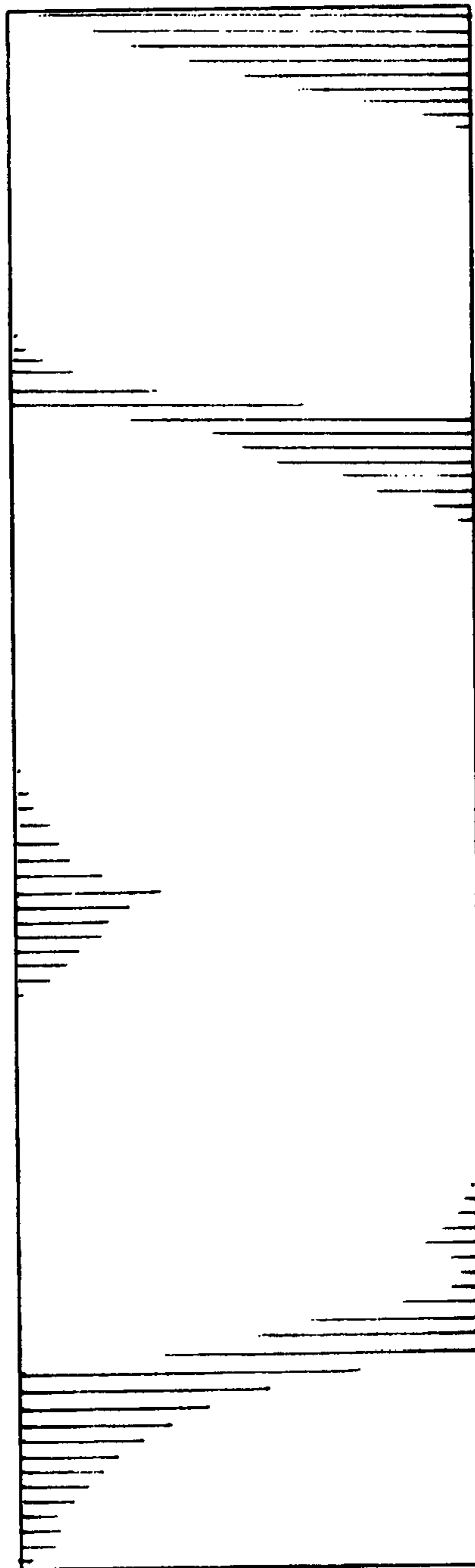


FIG. 4

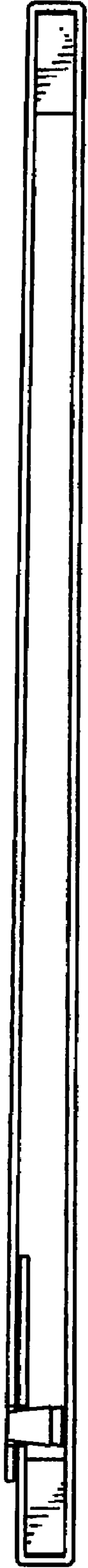


FIG. 5



FIG. 6

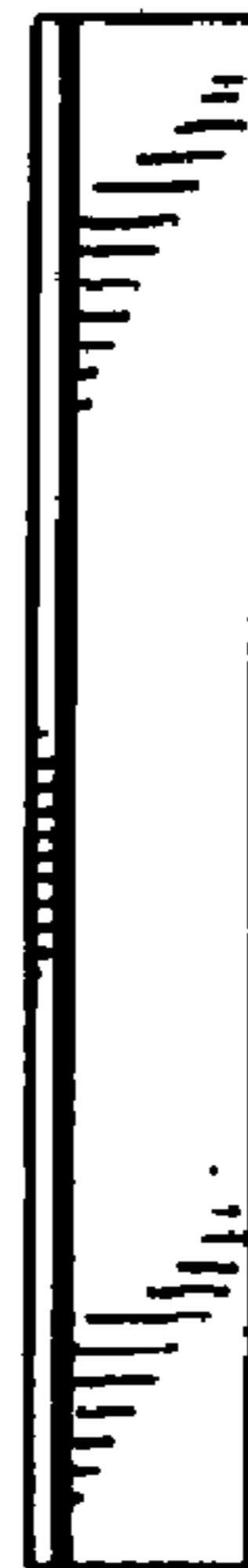


FIG. 7



FIG. 8