



US00D592939S

(12) **United States Design Patent**  
**Kelleghan**

(10) **Patent No.:** **US D592,939 S**  
(45) **Date of Patent:** **\*\* May 26, 2009**

(54) **CIRCLE CARABINER WITH ATTACHMENT SLOT**

FOREIGN PATENT DOCUMENTS

FR 2701402 2/1993

(75) Inventor: **Brian James Kelleghan**, Longmont, CO (US)

(Continued)

(73) Assignee: **Bison Designs, LLC**, Longmont, CO (US)

OTHER PUBLICATIONS

Figure 8, Scan of website showing prior art carabiner sold by Trango.

(\*\*) Term: **14 Years**

*Primary Examiner*—T. Chase Nelson

*Assistant Examiner*—Karen Acker

(21) Appl. No.: **29/325,172**

(74) *Attorney, Agent, or Firm*—Margaret Polson; Polson & Associates, PC

(22) Filed: **Sep. 26, 2008**

(57) **CLAIM**

**Related U.S. Application Data**

The ornamental design for a circle carabiner with attachment slot, as shown and described.

(62) Division of application No. 29/302,639, filed on Jan. 21, 2008.

**DESCRIPTION**

(51) **LOC (9) Cl.** ..... **08-05**

FIG. 1 is a top or bottom plan view, each of which is a mirror image, of my new design for a circle carabiner with attachment slot.

(52) **U.S. Cl.** ..... **D8/356**

(58) **Field of Classification Search** ..... D8/105, D8/107, 333, 349, 354, 356, 358, 360, 360.1, D8/367, 373, 382, 383, 394–396, 400; D11/200, D11/211; D23/261; 24/573.11, 576.1, 588.1, 24/592.1, 592.2, 598.3, 599.1, 599.5, 599.6, 24/599.9, 600.1; 294/82.19, 82.2; D5/54, D5/58, 59

FIG. 2 is a right side elevation view of FIG. 1.

FIG. 3 is a left side elevation view of FIG. 1.

FIG. 4 is a front side elevation view of FIG. 1.

FIG. 5 is a rear side elevation view of FIG. 1.

FIG. 6 is a top perspective view of FIG. 1.

See application file for complete search history.

FIG. 7 is a top or bottom plan view, each of which is a mirror image, of an alternate embodiment of my circle carabiner with attachment slot.

FIG. 8 is a right side elevation view of FIG. 7.

FIG. 9 is a left side elevation view of FIG. 7.

FIG. 10 is a front side elevation view of FIG. 7.

FIG. 11 is a rear side elevation view of FIG. 7; and,

FIG. 12 is a top perspective view of FIG. 7.

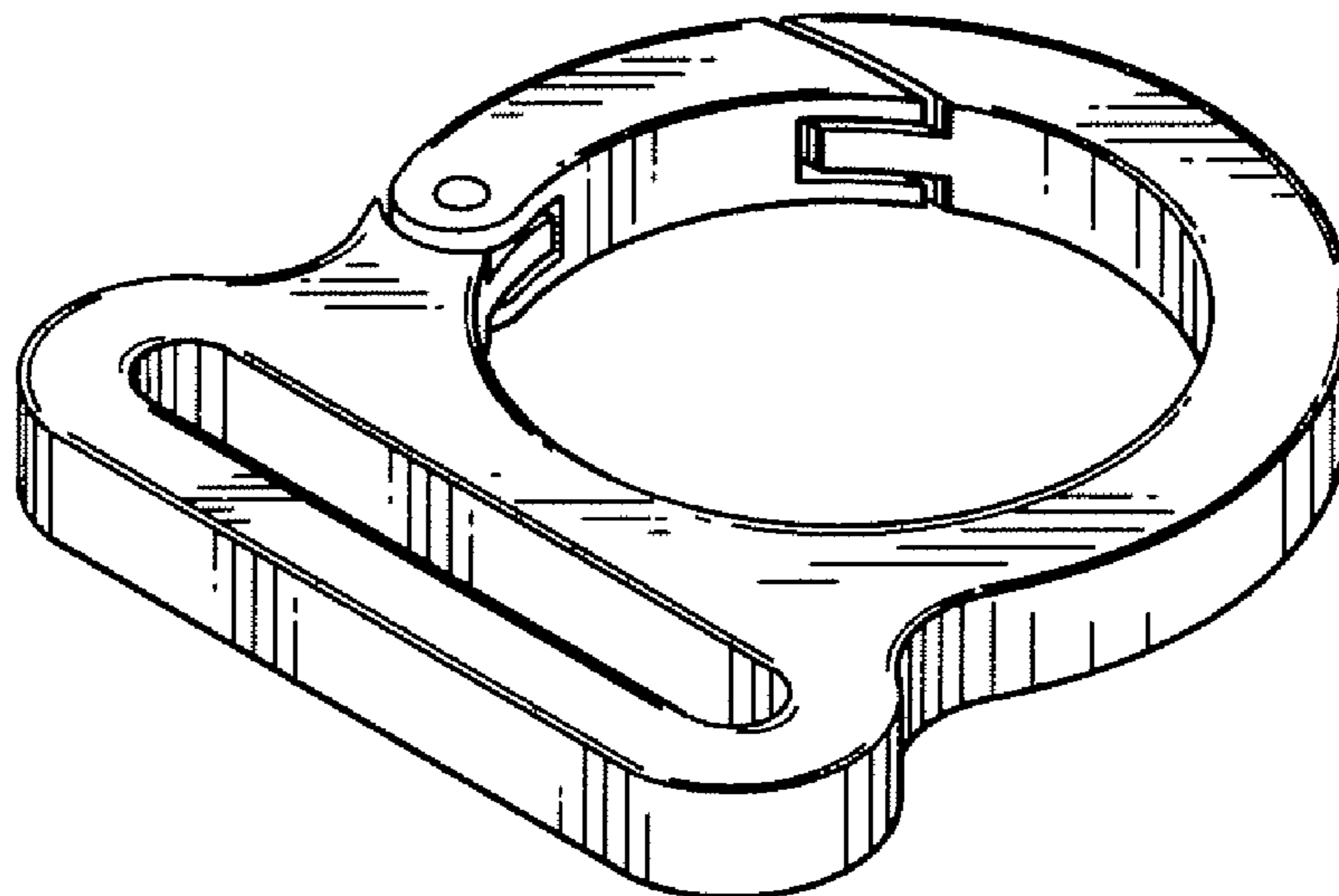
(56) **References Cited**

U.S. PATENT DOCUMENTS

48,275 A	6/1865	Hamilton
114,459 A	5/1871	Meyer
267,112 A	11/1882	Sanderson
297,498 A	4/1884	Carpenter
453,585 A	6/1891	Mott
D32,654 S	5/1900	Kroder

(Continued)

**1 Claim, 2 Drawing Sheets**



# US D592,939 S

## U.S. PATENT DOCUMENTS

805,575	A	11/1905	Morden	
812,458	A	2/1906	See	
841,706	A	1/1907	Morden	
1,209,083	A	12/1916	Wagner, Jr.	
1,219,871	A	3/1917	Sapo	
1,253,647	A	1/1918	Torrey	
1,399,207	A	12/1921	Goozey	
2,828,900	A	4/1958	Le Roy	
4,277,434	A *	7/1981	Conway	..... 264/297.2
4,763,490	A *	8/1988	Bruner	..... 63/15.7
4,951,361	A *	8/1990	Stephens, Jr.	..... 24/3.6
D317,177	S	5/1991	Wandenberg-Boschetti	
5,367,742	A *	11/1994	Bindman	..... 16/87.2
D355,583	S	2/1995	Beauchane	
5,544,511	A *	8/1996	Cavaleri	..... 70/457
5,613,656	A	3/1997	Protz, Jr.	
5,996,191	A	12/1999	Christler	
D430,204	S	8/2000	Berracasa	
6,125,657	A	10/2000	Esposito	
D441,638	S	5/2001	Kelleghan	
D454,054	S	3/2002	Kelleghan	
D455,642	S	4/2002	Kelleghan	
D456,693	S	5/2002	Kelleghan	
D458,533	S	6/2002	Sonju	
D461,312	S	8/2002	Proot et al.	
D465,993	S	11/2002	Kelleghan	
D465,995	S	11/2002	Kelleghan	
D466,791	S	12/2002	Kelleghan	
D467,156	S	12/2002	Bishop	
D467,157	S	12/2002	Kelleghan	
D475,276	S *	6/2003	Kelleghan	..... D8/356
D475,603	S *	6/2003	Kelleghan	..... D8/356
D475,604	S	6/2003	Kelleghan	
D480,841	S	10/2003	Bird	
D488,371	S	4/2004	Shaljjan	

D492,188	S	6/2004	Goldberg	
6,843,072	B1 *	1/2005	Lau	..... 63/12
D505,847	S	6/2005	Kelleghan	
D508,523	S *	8/2005	Goldberg	..... D19/36
D513,698	S	1/2006	Murphy et al.	
D518,360	S	4/2006	Kelleghan	
D519,010	S	4/2006	Oas	
D523,328	S	6/2006	Ramos	
D525,168	S *	7/2006	Pontaoe	..... D11/208
D533,050	S	12/2006	Kelleghan	
D543,440	S	5/2007	Plzak	
D548,057	S	8/2007	Kelleghan	
7,296,352	B2 *	11/2007	Alulis et al.	..... 29/896.42
7,296,609	B2 *	11/2007	Zahner	..... 160/330
D564,341	S	3/2008	Kelleghan	
D564,869	S *	3/2008	Peterson	..... D8/382
7,347,065	B1 *	3/2008	DeGolyer	..... 63/7
D568,127	S *	5/2008	Oas	..... D8/34
D570,420	S *	6/2008	Brookins	..... D21/370
7,426,905	B2 *	9/2008	Honeycutt	..... 119/795
2004/0149516	A1	8/2004	Kwak et al.	
2007/0213186	A1 *	9/2007	Longo	..... 482/121
2008/0016659	A1 *	1/2008	Peterson	..... 24/599.1
2008/0041851	A1 *	2/2008	Thrapp	..... 220/229
2008/0185409	A1 *	8/2008	Kellenberger	..... 224/257
2008/0302311	A1 *	12/2008	Blocker	..... 119/769
2008/0306496	A1 *	12/2008	Regner	..... 606/151

## FOREIGN PATENT DOCUMENTS

FR	2706314	6/1993
FR	2832068	11/2001
JP	2003287170	A * 10/2003
JP	2008232154	A * 10/2008
WO	WO-2007106754	A2 * 9/2007

\* cited by examiner

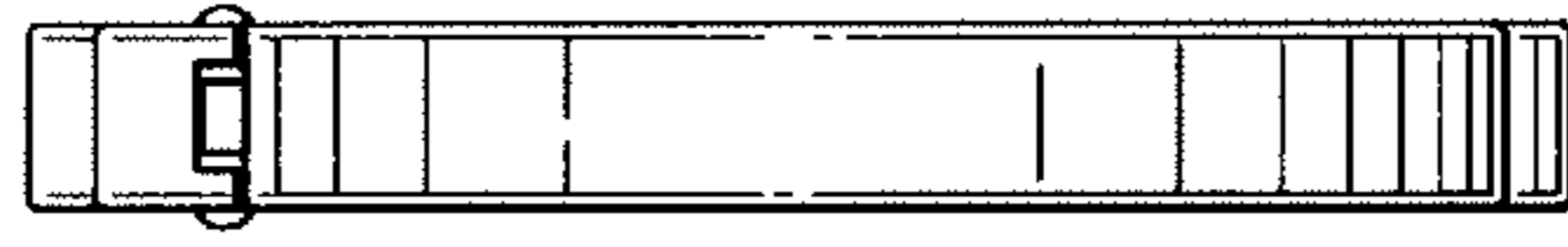


FIG. 4

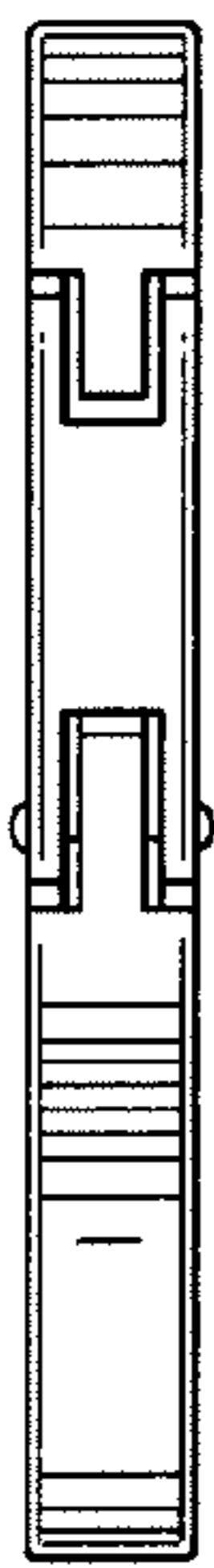


FIG. 2

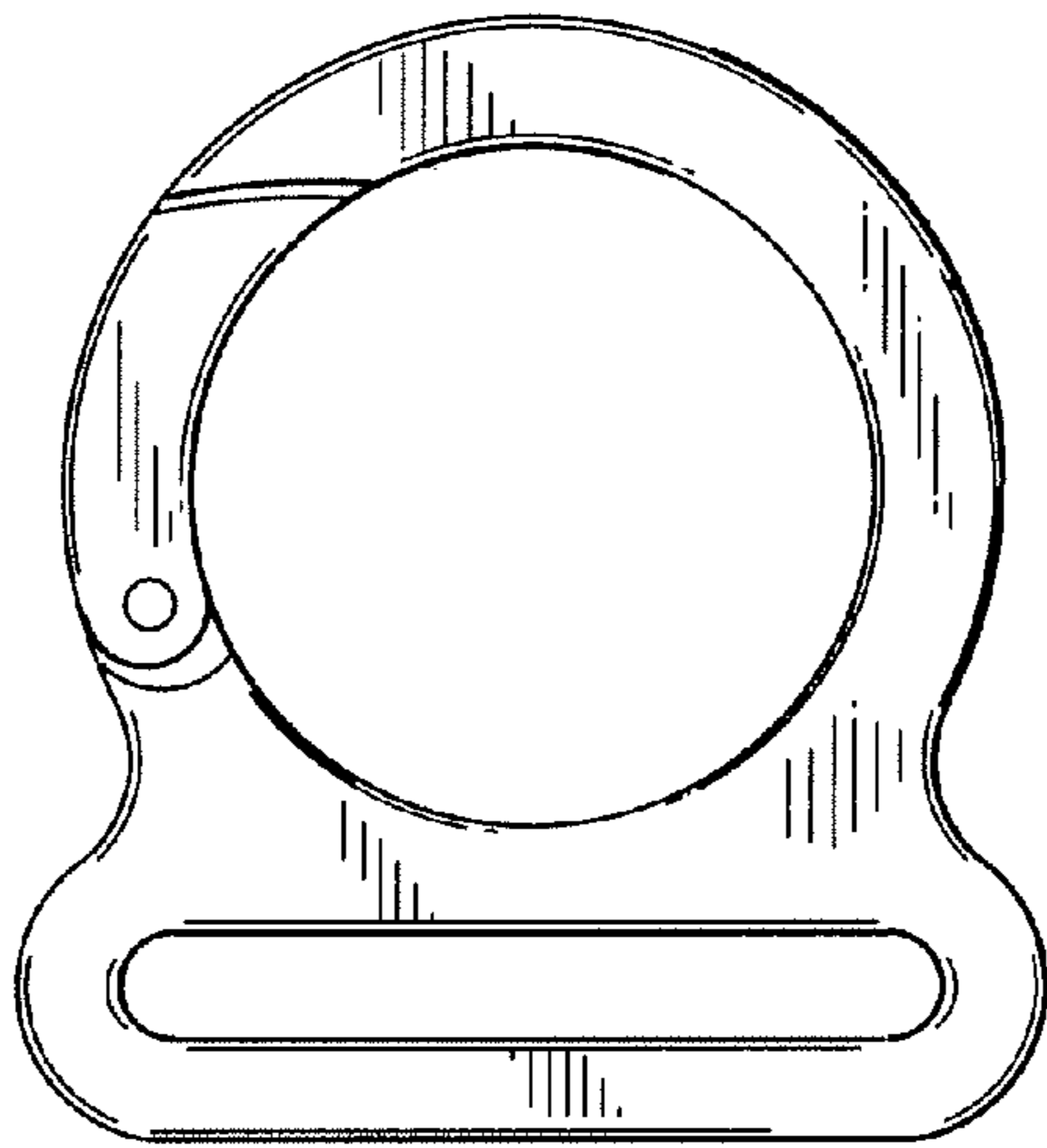


FIG. 1

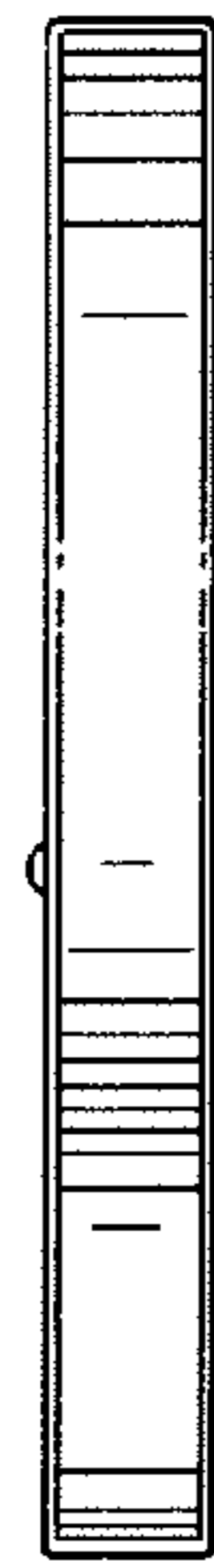


FIG. 3

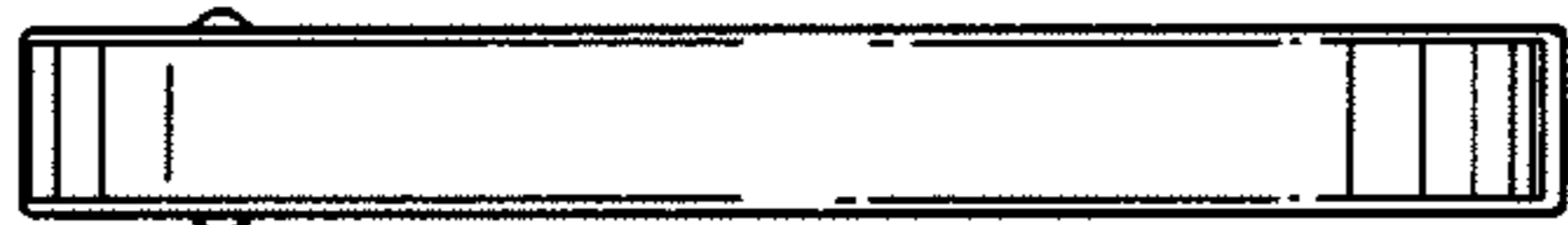


FIG. 5

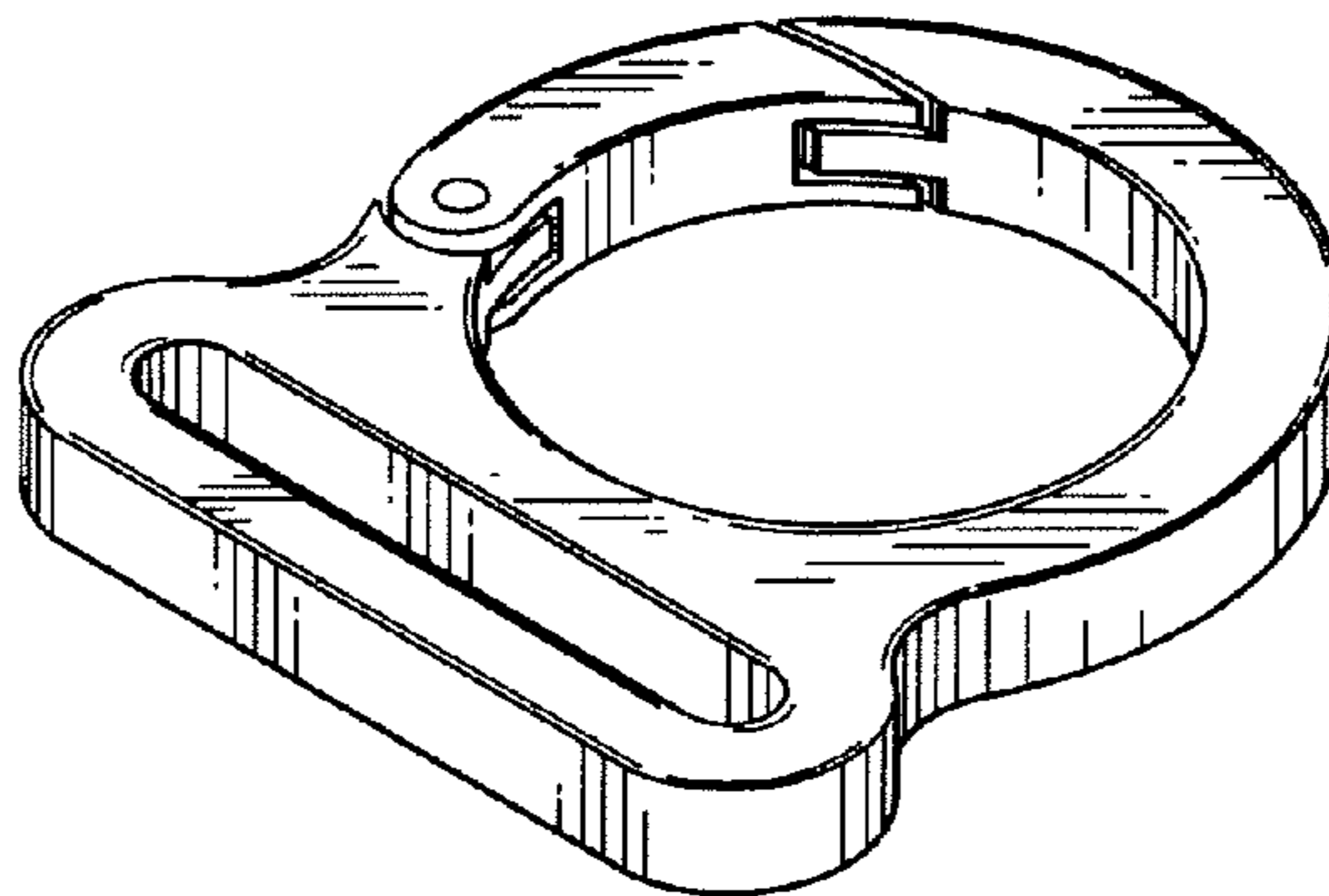


FIG. 6

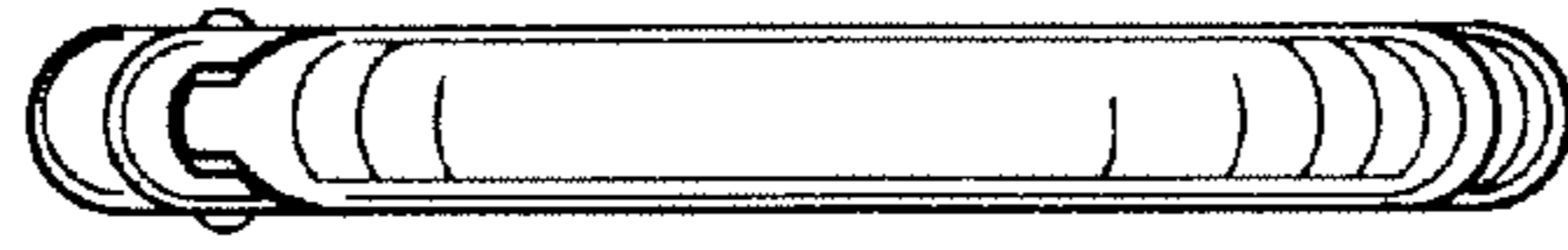


FIG.10

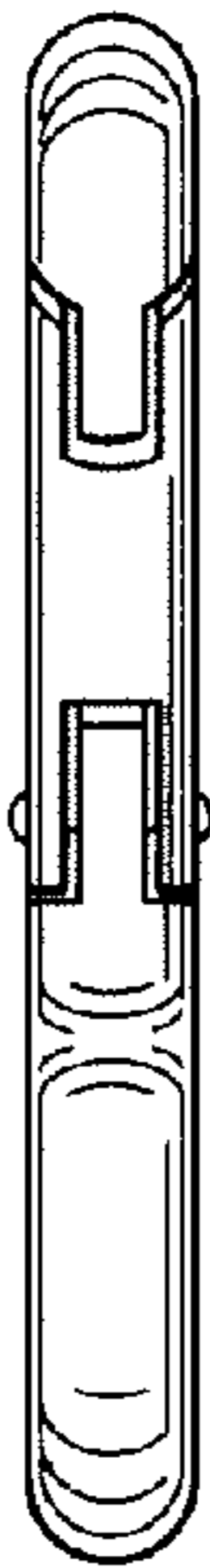


FIG.8

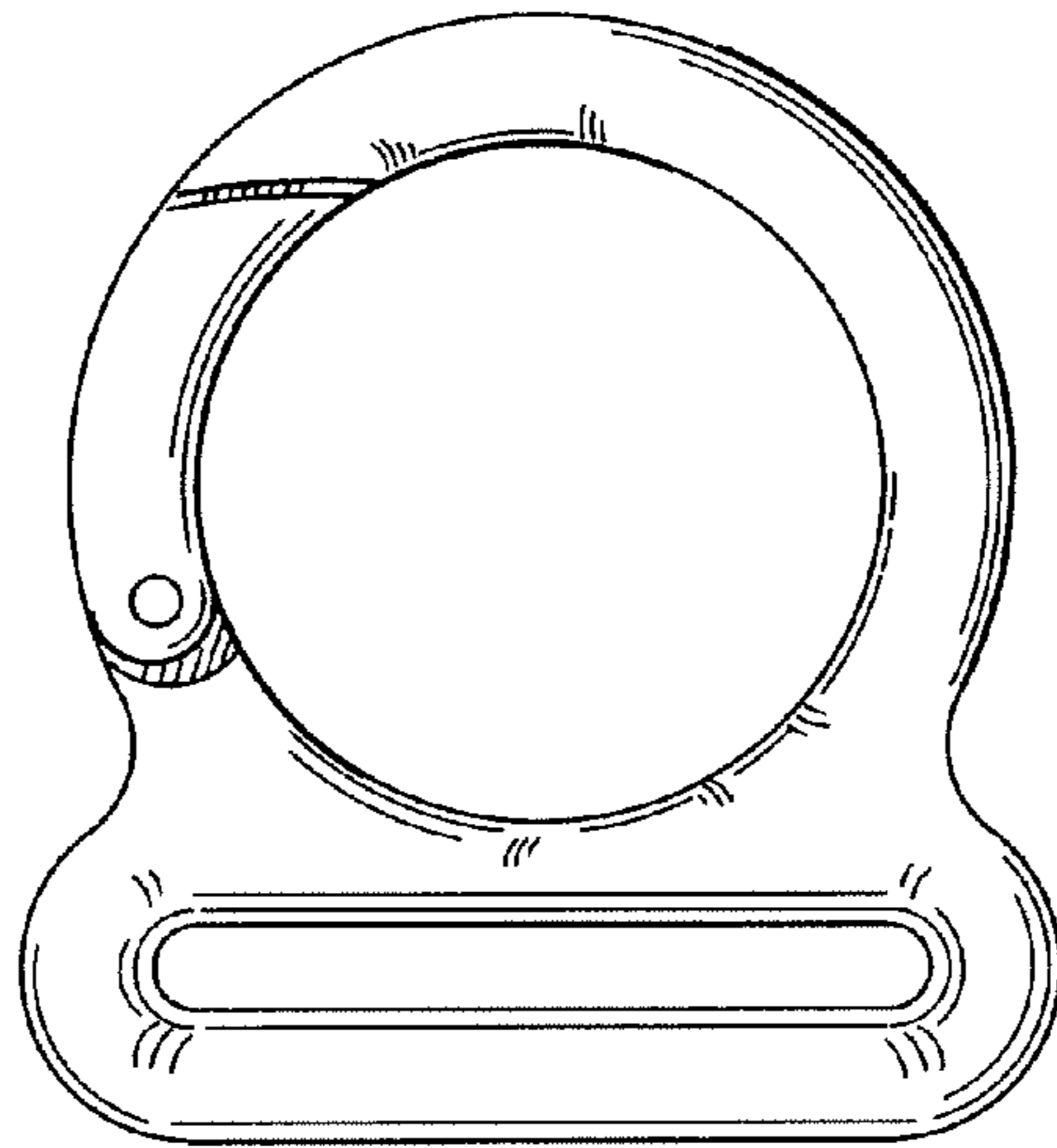


FIG.7



FIG.9



FIG.11

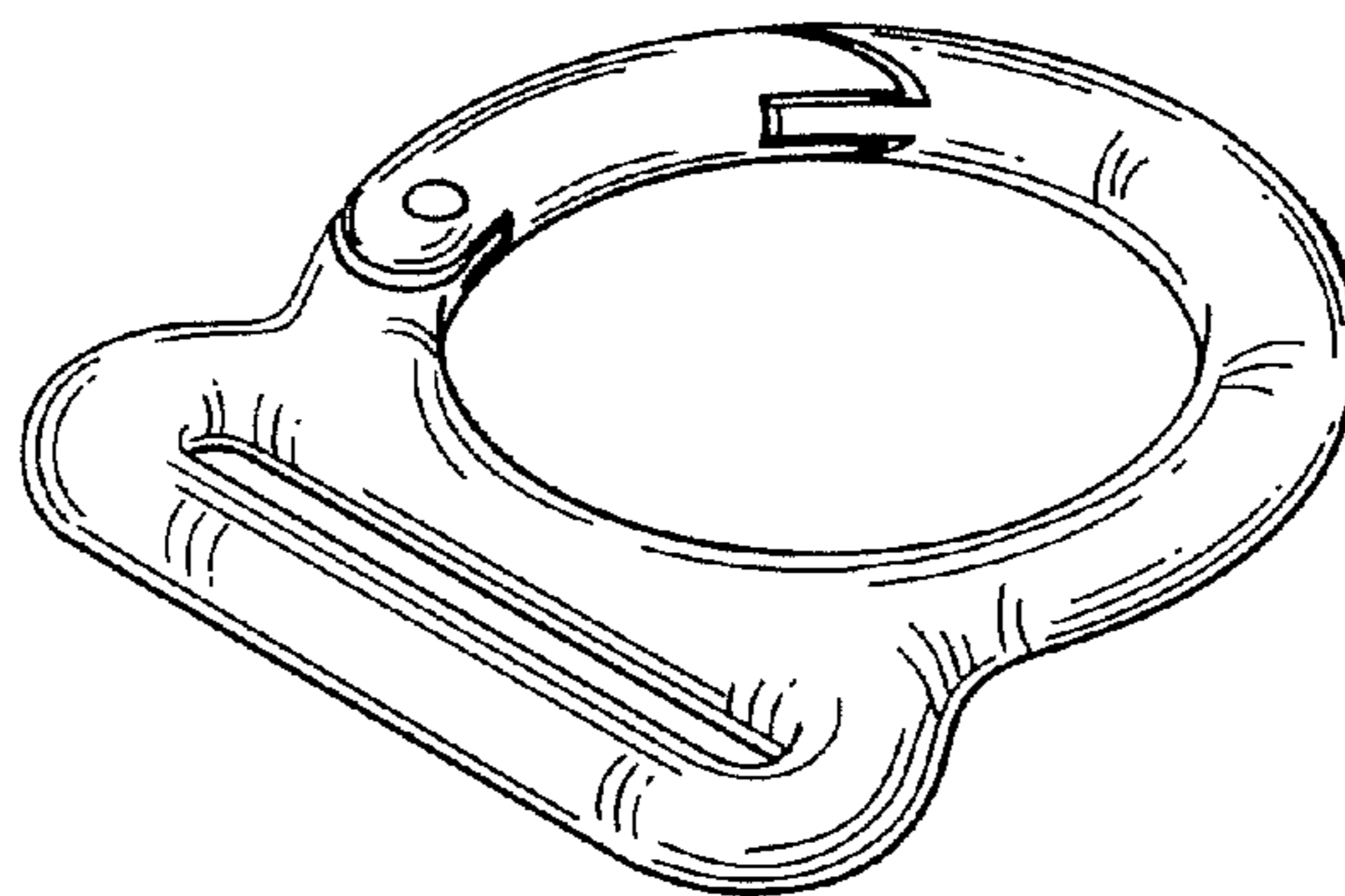


FIG.12