



US00D592938S

(12) **United States Design Patent**  
**Pae et al.**

(10) **Patent No.:** **US D592,938 S**  
(45) **Date of Patent:** **\*\* May 26, 2009**

(54) **COVER FOR CABLE MANAGEMENT RACEWAY**

3,403,220 A \* 9/1968 Riedel et al. .... 174/101  
3,705,949 A \* 12/1972 Weiss ..... 174/101  
4,398,564 A \* 8/1983 Young et al. .... 138/92

(75) Inventors: **Andrew Ungho Pae**, Simi Valley, CA (US); **James I. Lawrence**, Georgetown, TX (US); **Scott Alexander Smith**, Lago Vista, TX (US)

(Continued)

**FOREIGN PATENT DOCUMENTS**

EM 000554316-0001 \* 7/2006

(Continued)

(73) Assignee: **Chatsworth Products, Inc.**, Westlake Village, CA (US)

*Primary Examiner*—T. Chase Nelson

*Assistant Examiner*—Karen Acker

(\*\*) Term: **14 Years**

(74) *Attorney, Agent, or Firm*—Tillman Wright, PLLC; James D. Wright; Chad D. Tillman

(21) Appl. No.: **29/302,293**

(22) Filed: **Jan. 14, 2008**

(57) **CLAIM**

**Related U.S. Application Data**

The ornamental design for a cover for cable management raceway, as shown and described.

(63) Continuation-in-part of application No. 29/302,235, filed on Jan. 14, 2008, which is a continuation-in-part of application No. 29/299,970, filed on Jan. 7, 2008, now abandoned.

**DESCRIPTION**

FIG. 1 is a perspective view of a front side of the design for a cover for cable management raceway in accordance with a preferred embodiment of the present invention;

(51) **LOC (9) Cl.** ..... **08-05**

(52) **U.S. Cl.** ..... **D8/356**

(58) **Field of Classification Search** ..... D8/105, D8/107, 333, 349, 354, 356, 358, 367, 373, D8/382, 383, 394–396, 400; D13/155, 184; D26/76; 24/18, 197, 561; 174/68.3, 101, 174/153 G, 650, 656; 242/400.1, 405.1, 242/405.2, 600, 603; 248/65, 75.1–74.4, 248/201, 214, 215, 229.26, 302, 304, 316.7, 248/316.8; 439/131, 135, 142, 367, 369, 439/371, 472, 501, 535

FIG. 2 is a front view of the cover for cable management raceway of FIG. 1;

FIG. 3 is a left view of the cover for cable management raceway of FIG. 1;

FIG. 4 is a right view of the cover for cable management raceway of FIG. 1;

FIG. 5 is a top view of the cover for cable management raceway of FIG. 1;

FIG. 6 is a bottom view of the cover for cable management raceway of FIG. 1; and,

FIG. 7 is a rear view of the cover for cable management raceway of FIG. 1.

Portions of the design shown in broken lines form no part of the claimed design.

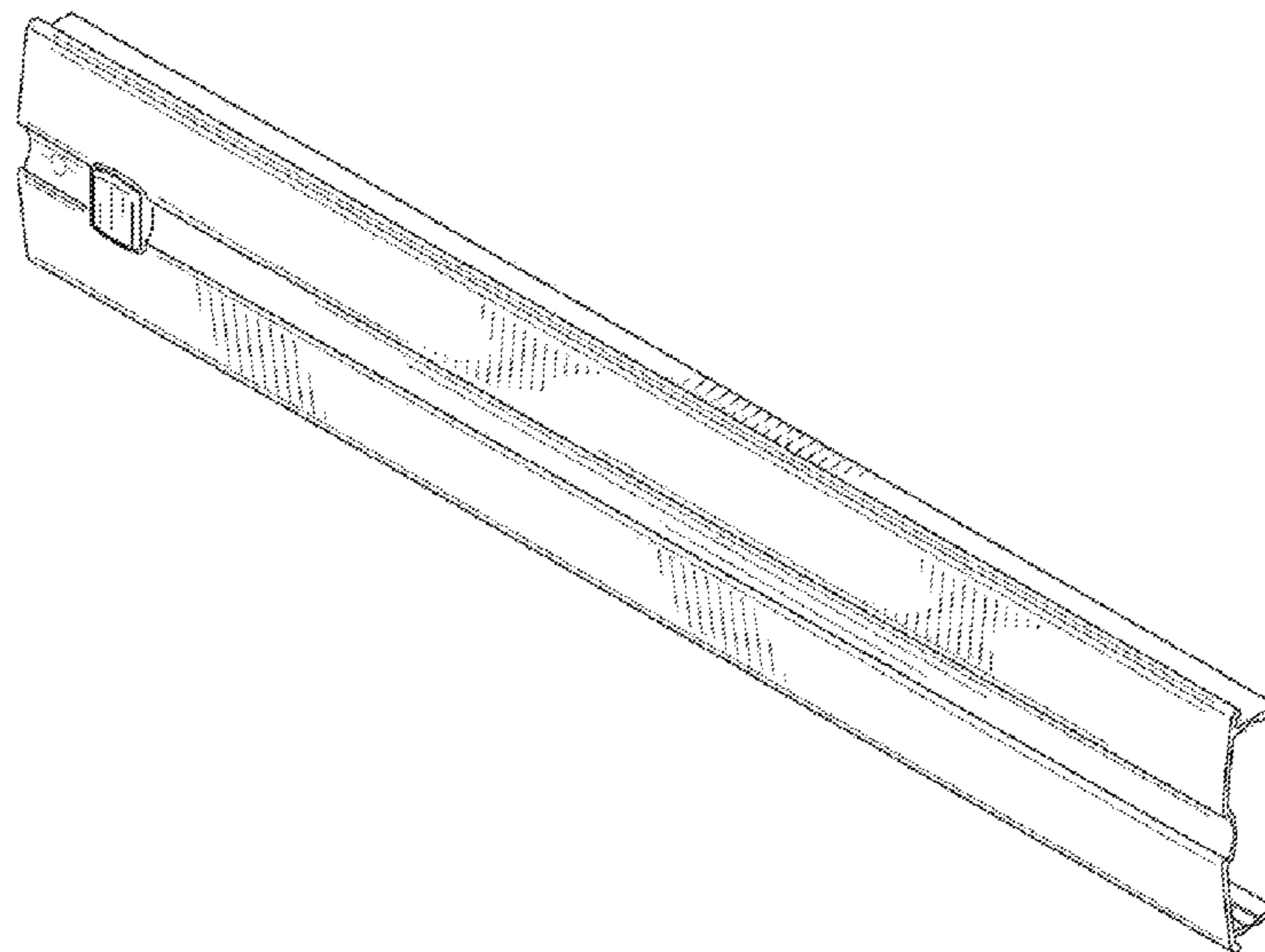
See application file for complete search history.

(56) **References Cited**

**U.S. PATENT DOCUMENTS**

D171,224 S \* 12/1953 Pfaff, Jr. .... D8/356  
2,921,607 A \* 1/1960 Caveney ..... 138/106

**1 Claim, 4 Drawing Sheets**



# US D592,938 S

Page 2

## U.S. PATENT DOCUMENTS

4,484,020 A \* 11/1984 Loof et al. .... 174/68.3  
 5,023,404 A \* 6/1991 Hudson et al. .... 174/97  
 5,024,251 A 6/1991 Chapman  
 D318,793 S \* 8/1991 Sutton ..... D8/395  
 5,086,195 A \* 2/1992 Claisse ..... 174/101  
 D331,006 S 11/1992 Dziedzic  
 5,235,136 A \* 8/1993 Santucci et al. .... 174/68.3  
 D348,469 S 7/1994 Johnson et al.  
 5,326,934 A \* 7/1994 LeMaster et al. .... 174/59  
 D353,277 S \* 12/1994 Irvin ..... D6/410  
 D355,788 S 2/1995 Irvin  
 5,602,364 A \* 2/1997 Ustin ..... 174/68.3  
 5,709,249 A \* 1/1998 Okada et al. .... 138/162  
 D395,816 S \* 7/1998 Colodny ..... D8/356  
 D401,497 S \* 11/1998 Terrell ..... D8/356  
 5,831,216 A \* 11/1998 Hoffmann ..... 174/135  
 D402,639 S 12/1998 Baxter et al.  
 5,902,961 A \* 5/1999 Viklund et al. .... 174/100  
 D418,927 S 1/2000 Levesque  
 D424,915 S 5/2000 Takase et al.  
 6,107,575 A \* 8/2000 Miranda ..... 174/101  
 6,107,576 A \* 8/2000 Morton et al. .... 174/101  
 6,215,069 B1 \* 4/2001 Martin et al. .... 174/68.3  
 6,294,736 B1 \* 9/2001 Takeda et al. .... 174/72 A  
 6,398,149 B1 6/2002 Hines et al.  
 6,437,243 B1 \* 8/2002 VanderVelde et al. .... 174/68.3  
 6,437,244 B1 \* 8/2002 Vander Velde ..... 174/68.3  
 6,489,565 B1 \* 12/2002 Krietzman et al. .... 174/101  
 6,605,782 B1 \* 8/2003 Krietzman et al. .... 174/101  
 6,944,383 B1 9/2005 Herzog et al.  
 6,946,605 B2 9/2005 Levesque et al.

6,968,647 B2 11/2005 Levesque et al.  
 7,000,784 B2 \* 2/2006 Canty et al. .... 211/26  
 7,019,213 B1 \* 3/2006 McNutt et al. .... 174/68.1  
 7,026,553 B2 4/2006 Levesque et al.  
 7,041,898 B2 \* 5/2006 Stempinski et al. .... 174/488  
 7,041,912 B2 \* 5/2006 Kadrnoska et al. .... 174/154  
 7,060,893 B1 \* 6/2006 Villi ..... 174/507  
 D530,038 S 10/2006 Kotovsky  
 7,119,282 B2 \* 10/2006 Krietzman et al. .... 174/101  
 7,178,679 B2 \* 2/2007 Canty et al. .... 211/26  
 7,225,586 B2 6/2007 Levesque et al.  
 D555,641 S 11/2007 Levesque et al.  
 D560,474 S \* 1/2008 Thru ..... D8/382  
 7,378,046 B2 5/2008 Canty et al.  
 D574,542 S 8/2008 Engel  
 7,408,121 B2 8/2008 Halliday et al.  
 7,417,188 B2 \* 8/2008 McNutt et al. .... 174/68.1  
 2002/0197045 A1 \* 12/2002 Schmidt et al. .... 385/134  
 2005/0103517 A1 \* 5/2005 Canepa ..... 174/68.3  
 2005/0115152 A1 6/2005 Levesque et al.  
 2006/0054336 A1 3/2006 McNutt et al.  
 2006/0059802 A1 \* 3/2006 McNutt et al. .... 52/220.7  
 2006/0091086 A1 \* 5/2006 Canty et al. .... 211/26  
 2008/0156946 A1 7/2008 Schmutzer  
 2008/0174217 A1 7/2008 Walker  
 2008/0180004 A1 7/2008 Martich et al.

## FOREIGN PATENT DOCUMENTS

EM 000968607-0001 \* 7/2008  
 EM 000968607-0006 \* 7/2008

\* cited by examiner

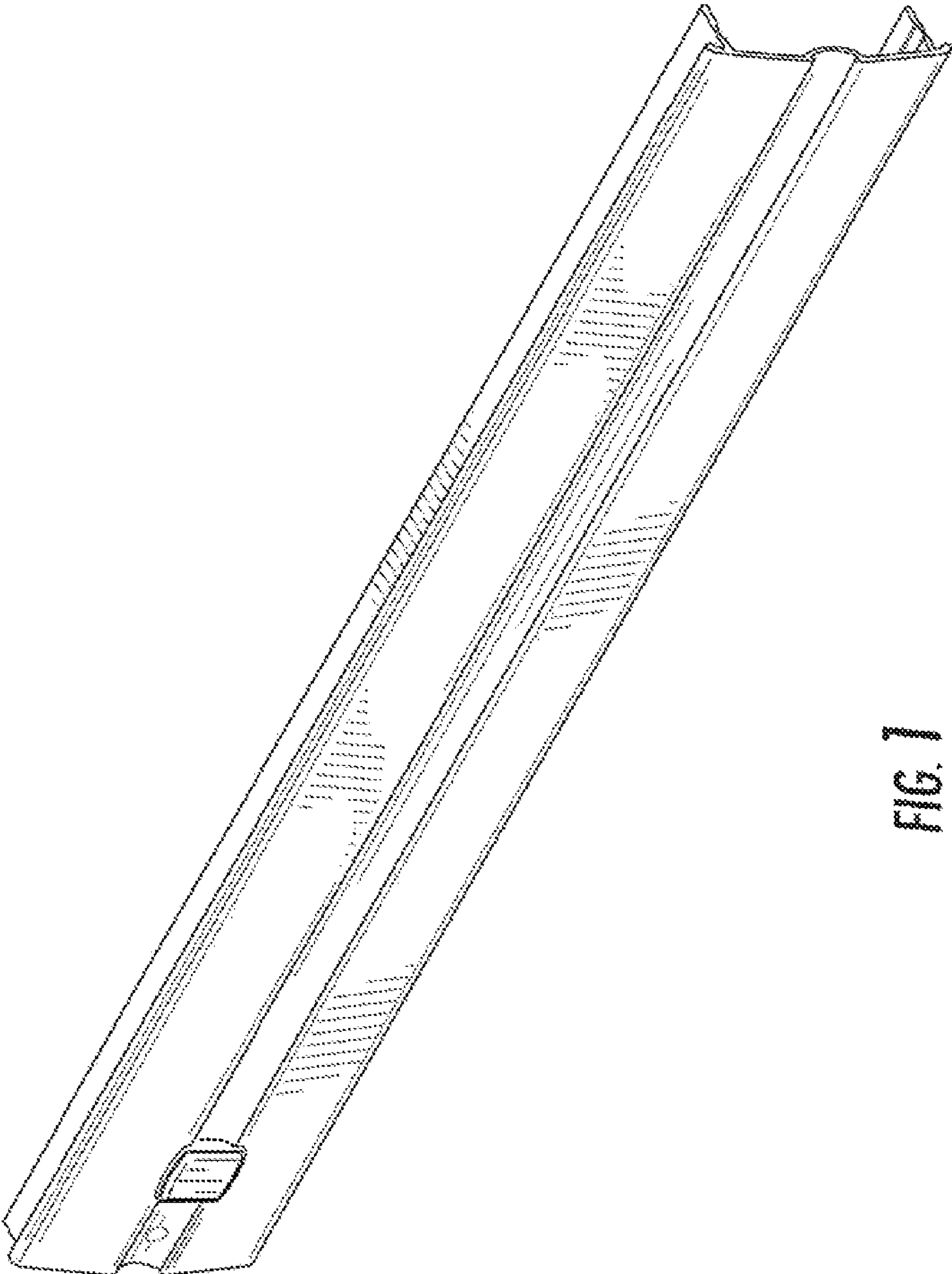


FIG. 1



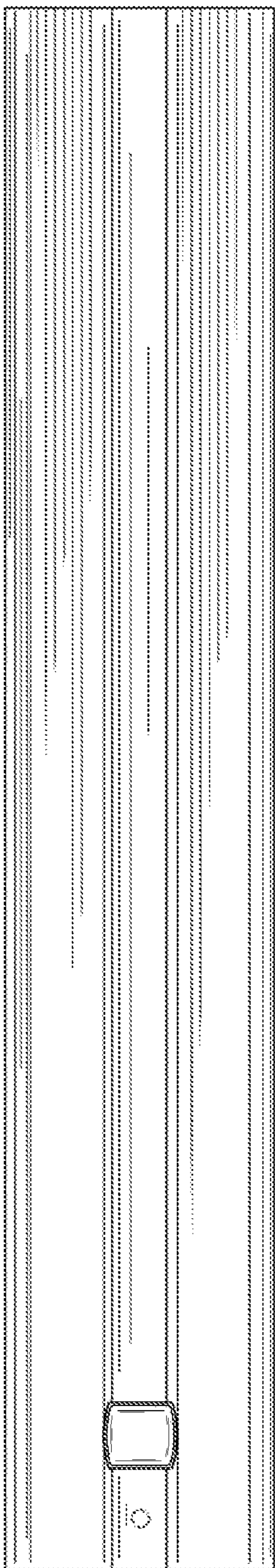


FIG. 2



FIG. 3



FIG. 4

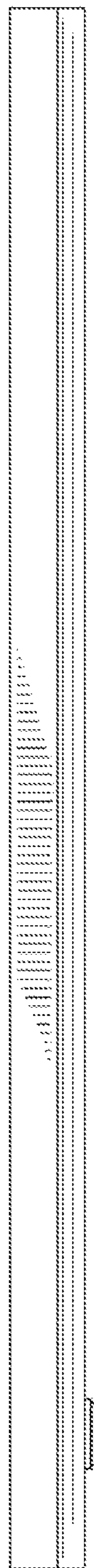


FIG. 5

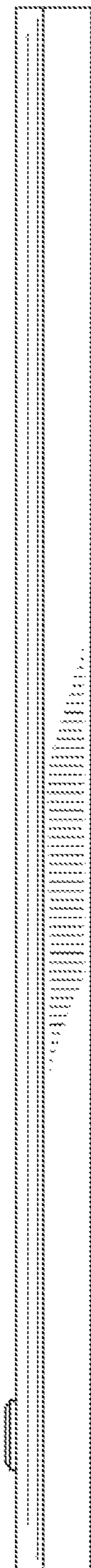


FIG. 6

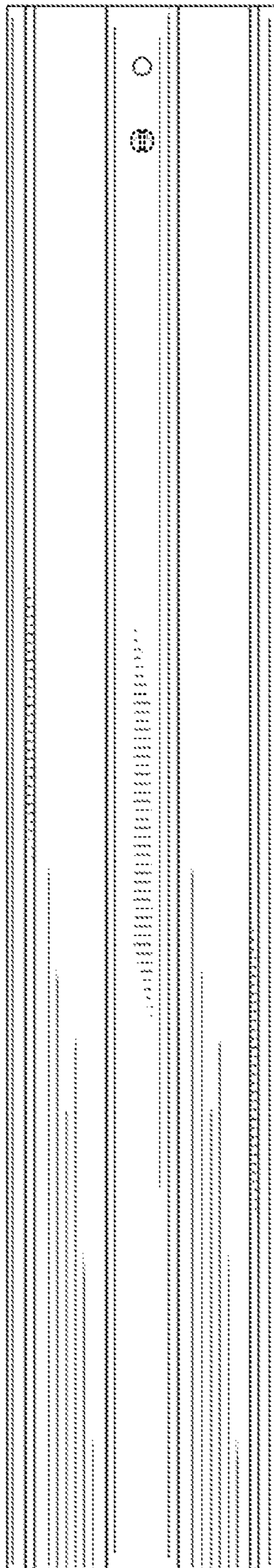


FIG. 7