

US00D592936S

(12) **United States Design Patent**
Douglas et al.

(10) **Patent No.:** **US D592,936 S**

(45) **Date of Patent:** **** May 26, 2009**

(54) **ESCUTCHEON**

(75) Inventors: **Kelly Douglas**, Indianapolis, IN (US);
Russell Duchene, Jr., Litchfield, CT
(US)

(73) Assignee: **Schlage Lock Company**, Carmel, IN
(US)

(**) Term: **14 Years**

(21) Appl. No.: **29/322,825**

(22) Filed: **Aug. 13, 2008**

(51) **LOC (9) Cl.** **11-05**

(52) **U.S. Cl.** **D8/350; D8/330**

(58) **Field of Classification Search** D8/350-353,
D8/330, 331, 346, 302, 341, 343, 338; D23/254,
D23/249; 174/66; 292/347, 357, DIG. 37;
70/271, 277, 278.1, 284, 278.4, 285, 450;
340/5.21, 5.54, 5.65, 5.73, 5.81, 5.85
See application file for complete search history.

(56) **References Cited**

U.S. PATENT DOCUMENTS

D199,485 S *	11/1964	Parriott	D8/350
D271,374 S *	11/1983	Butts	D8/353
D326,806 S	6/1992	Marques		
D326,996 S	6/1992	Birch		
D339,280 S	9/1993	Bray et al.		
D359,673 S	6/1995	Gibson		
D362,380 S *	9/1995	Ellis et al.	D8/301
D372,417 S	8/1996	Jimenez		
D396,323 S *	7/1998	Miranda	D26/142
D397,993 S	9/1998	Jimenez		
D411,732 S	6/1999	Chamberlain		
D429,142 S *	8/2000	Monge et al.	D8/350
D433,740 S *	11/2000	Milrud et al.	D23/254
D472,130 S *	3/2003	Ellis et al.	D8/350
D472,794 S *	4/2003	LaPlume et al.	D8/350
D479,682 S	9/2003	Frolov et al.		
D487,388 S	3/2004	Gundlach et al.		
D494,841 S *	8/2004	Moon et al.	D8/352

6,828,519 B2 *	12/2004	Bui et al.	200/341
D501,131 S *	1/2005	Oskamp et al.	D8/331
D503,329 S *	3/2005	Berberet	D8/350
D552,961 S	10/2007	Roberts		

(Continued)

FOREIGN PATENT DOCUMENTS

GB	1057067	2/1989
GB	2039709	6/1994
GB	2069120	9/1997
GB	2069121	9/1997
GB	2083344	5/1999
GB	2083345	5/1999
GB	2083346	5/1999

Primary Examiner—Stella M Reid

Assistant Examiner—Mark A Goodwin

(74) *Attorney, Agent, or Firm*—Michael Best & Friedrich
LLP

(57) **CLAIM**

The ornamental design for an escutcheon, as shown and described.

DESCRIPTION

FIG. 1 is a perspective view of an escutcheon embodying the invention.

FIG. 2 is a front elevational view of the escutcheon shown in FIG. 1.

FIG. 3 is a top plan view of the escutcheon shown in FIG. 1.

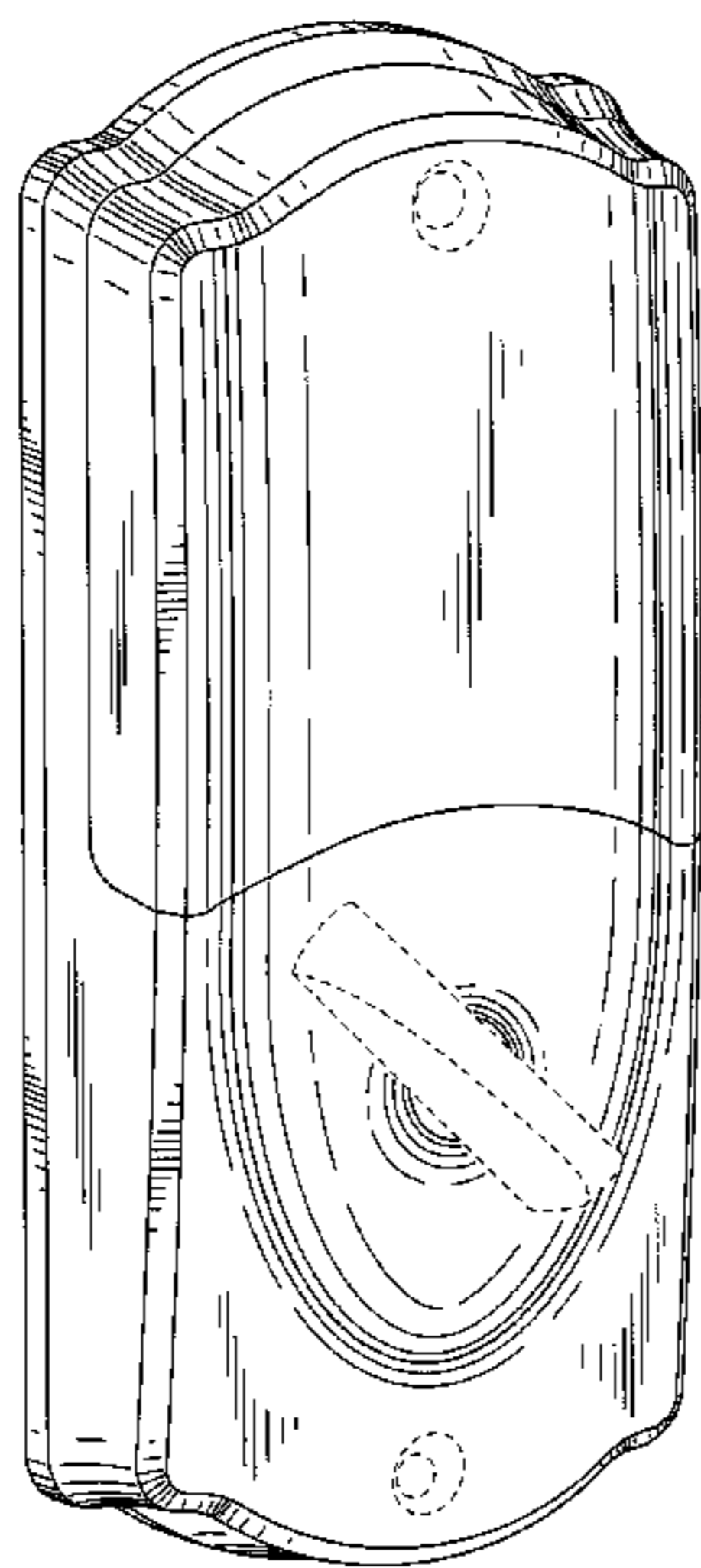
FIG. 4 is a bottom plan view of the escutcheon shown in FIG. 1.

FIG. 5 is a right side elevational view of the escutcheon shown in FIG. 1; and,

FIG. 6 is a left side elevational view of the escutcheon shown in FIG. 1.

The rear view is not part of the claimed design. The broken line showing is for illustrative purposes only and forms no part of the claimed design.

1 Claim, 5 Drawing Sheets



US D592,936 S

Page 2

U.S. PATENT DOCUMENTS

D552,964 S	10/2007	Bogdanov et al.	D553,953 S	10/2007	Roberts et al.	
D552,966 S	10/2007	Roberts et al.	D571,183 S	6/2008	Roberts, III	
D552,967 S	10/2007	Roberts et al.	D579,312 S *	10/2008	Veltz	D8/330
D552,968 S	10/2007	Roberts et al.	D579,760 S	11/2008	Roberts, III	
			2006/0037373 A1 *	2/2006	Case et al.	70/278.1

* cited by examiner

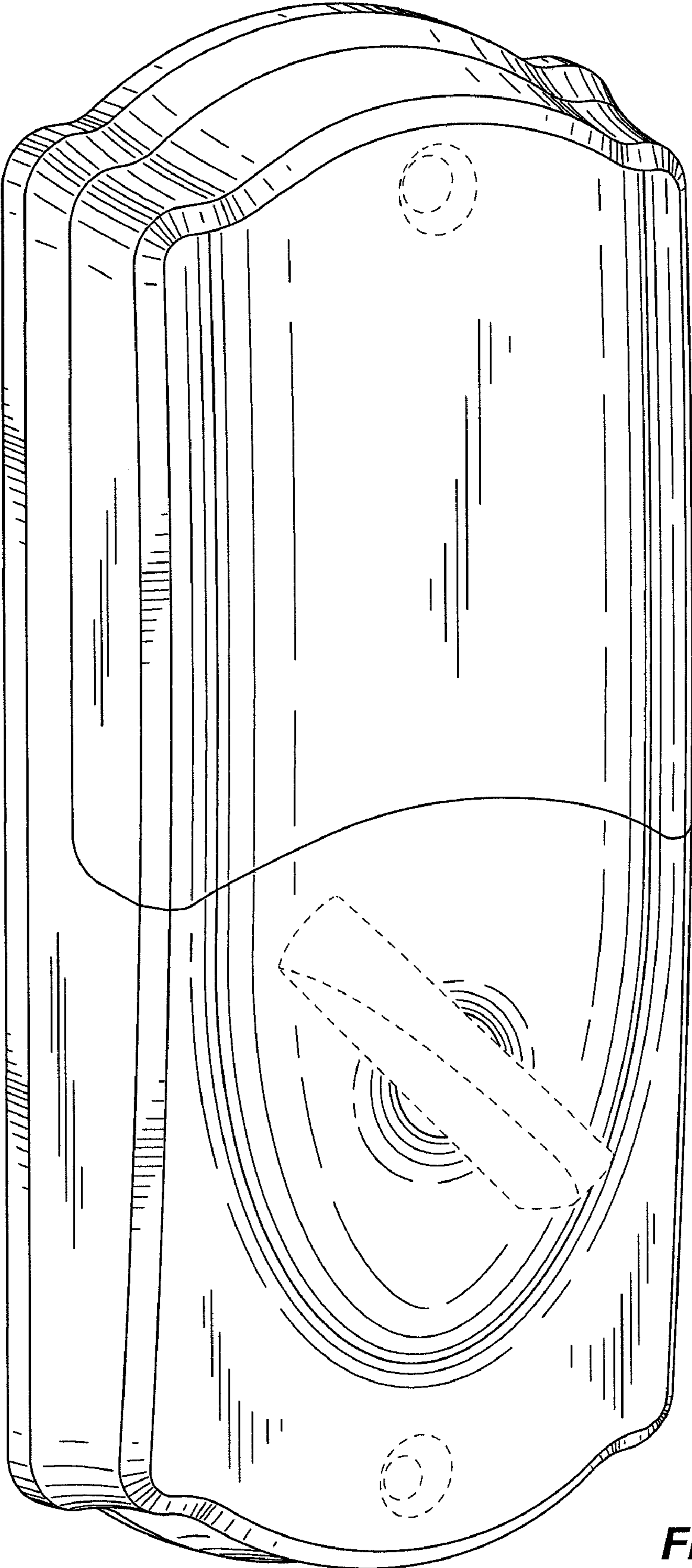


FIG. 1

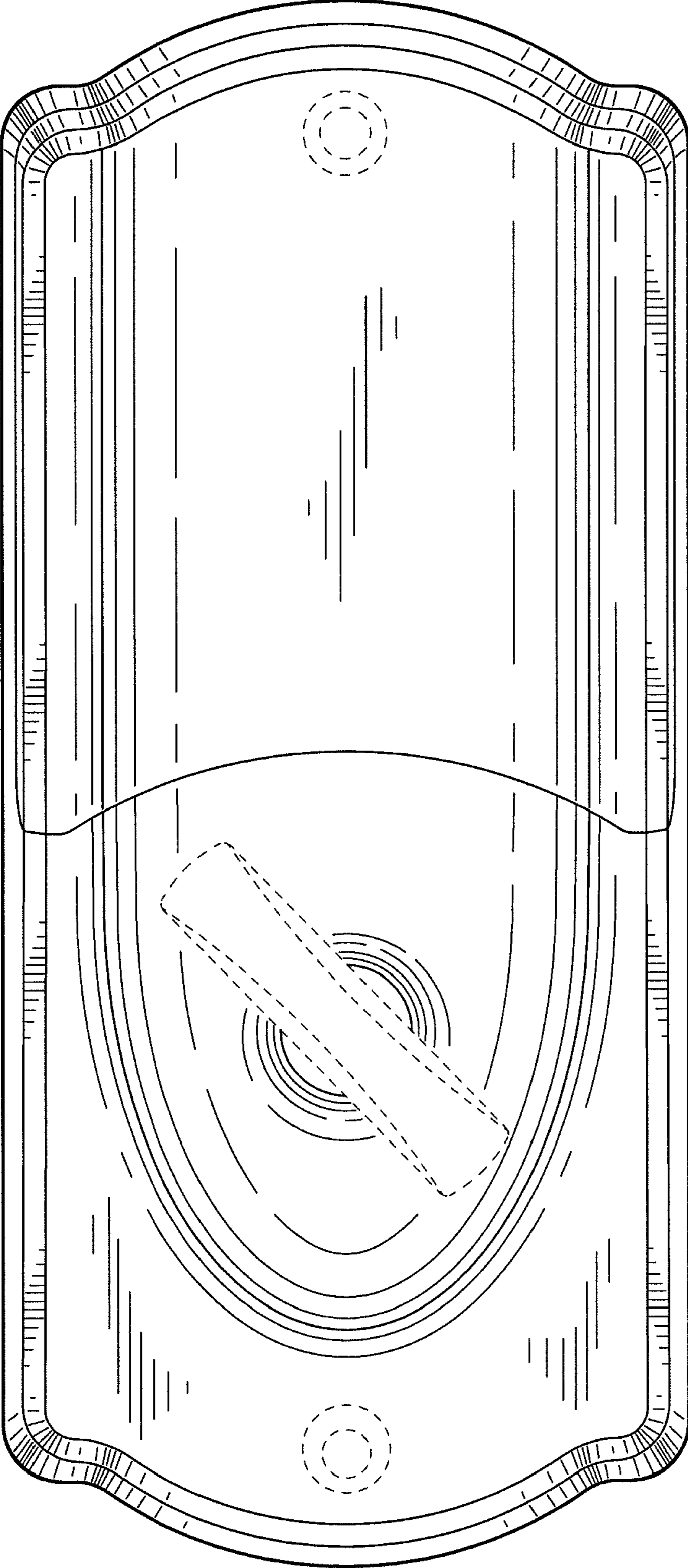


FIG. 2

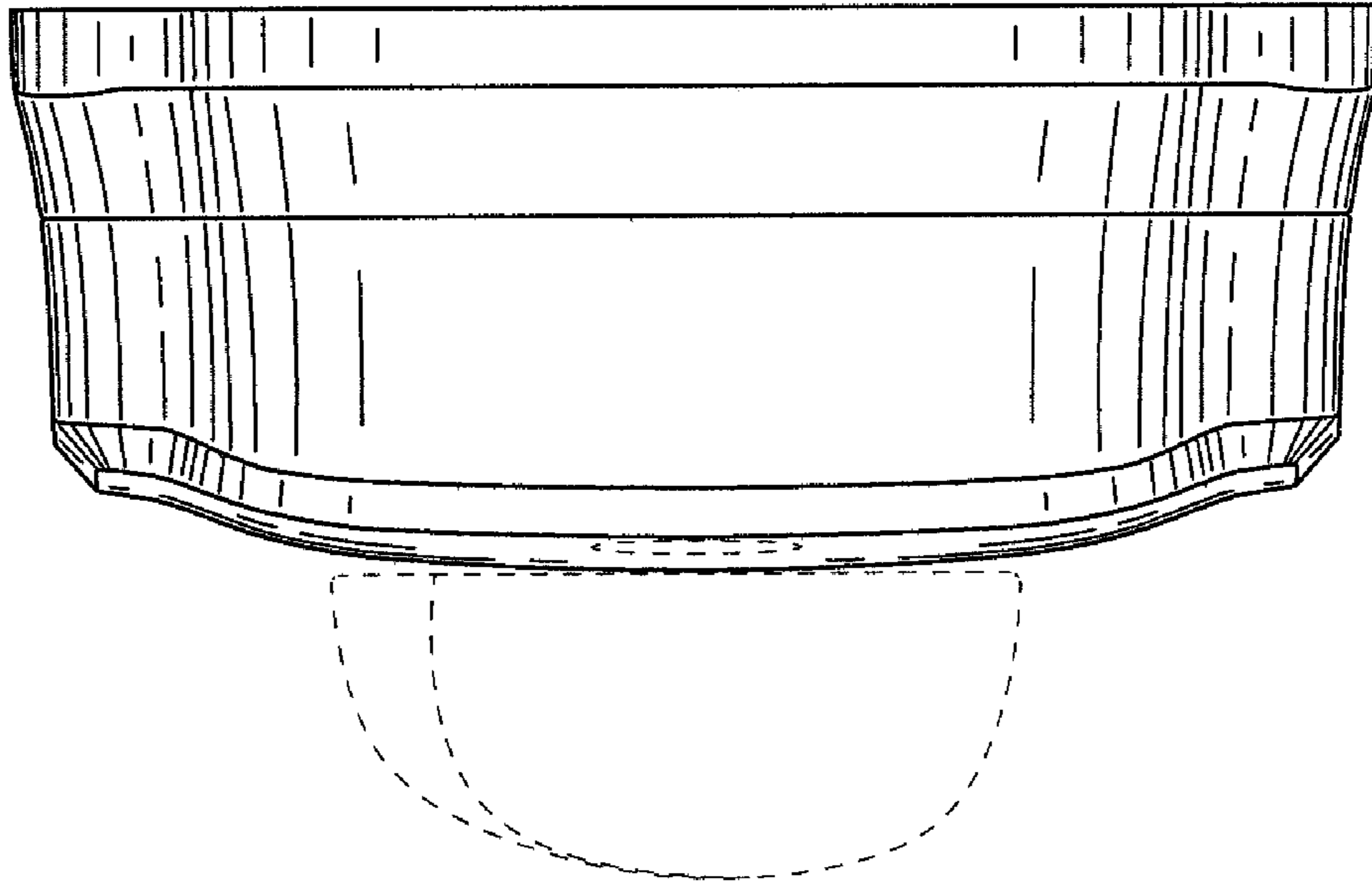


FIG. 3

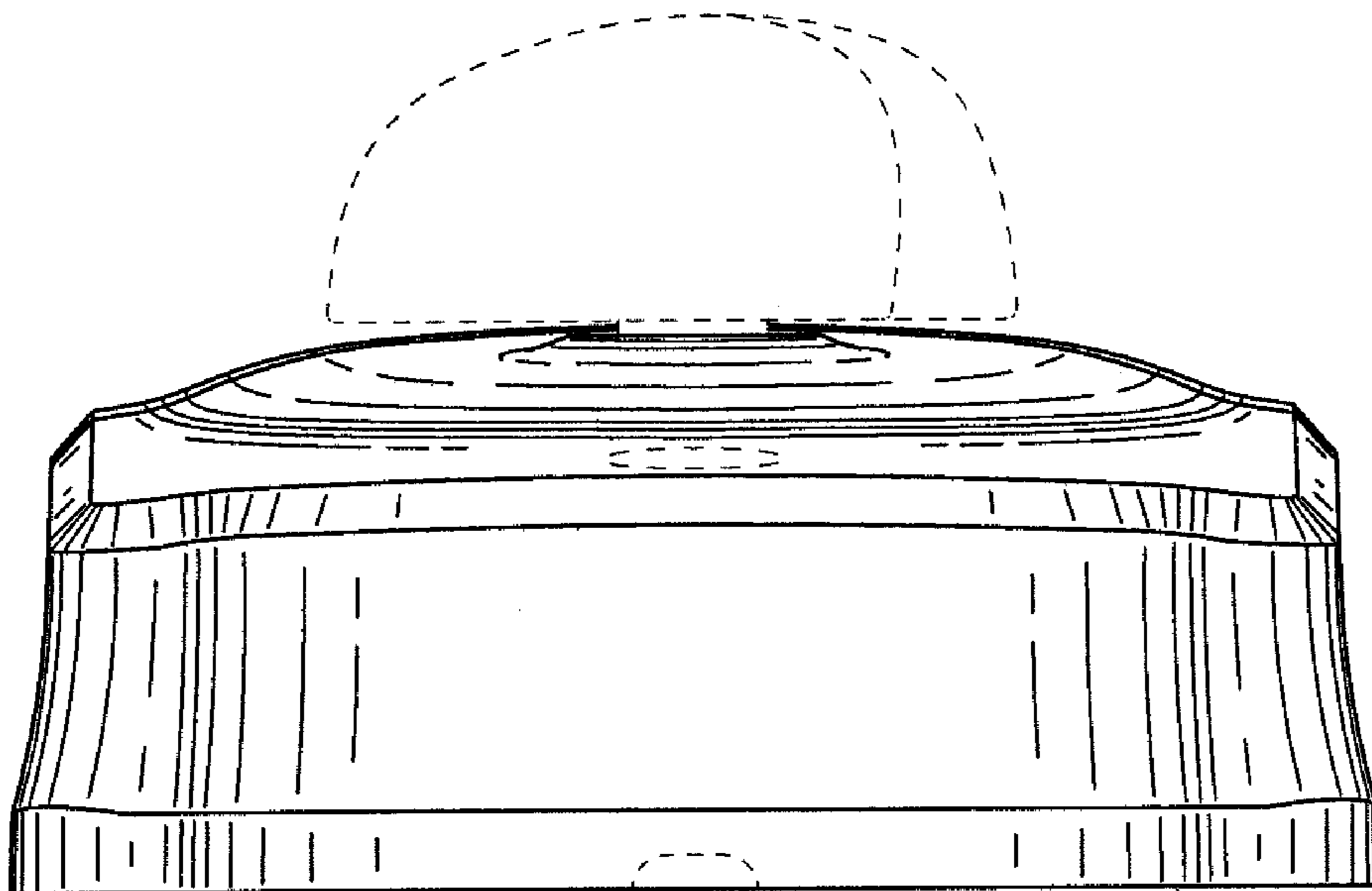


FIG. 4

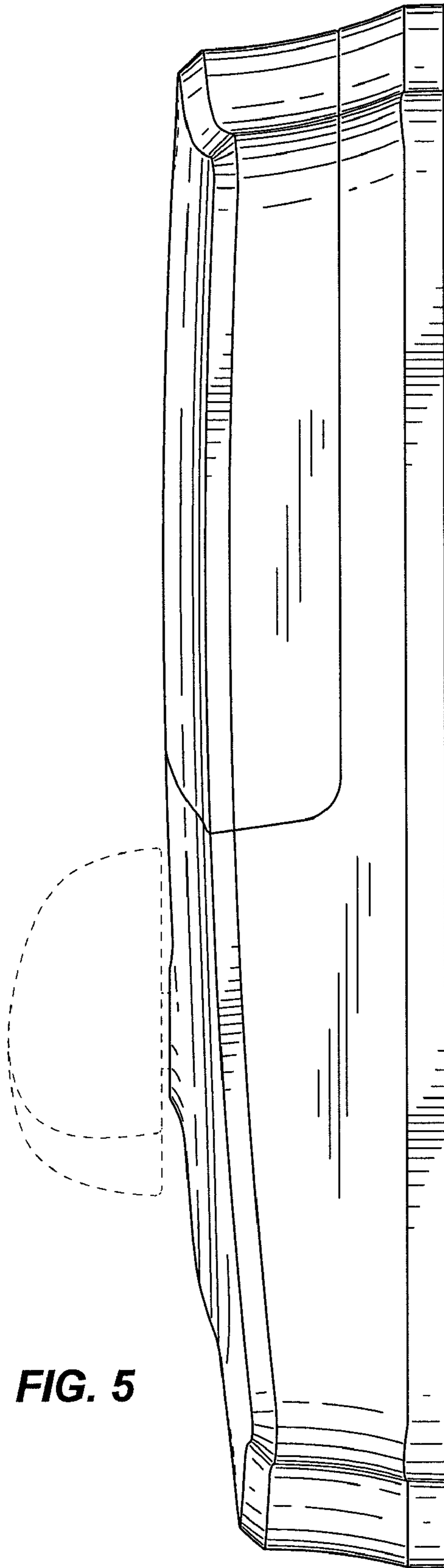


FIG. 5

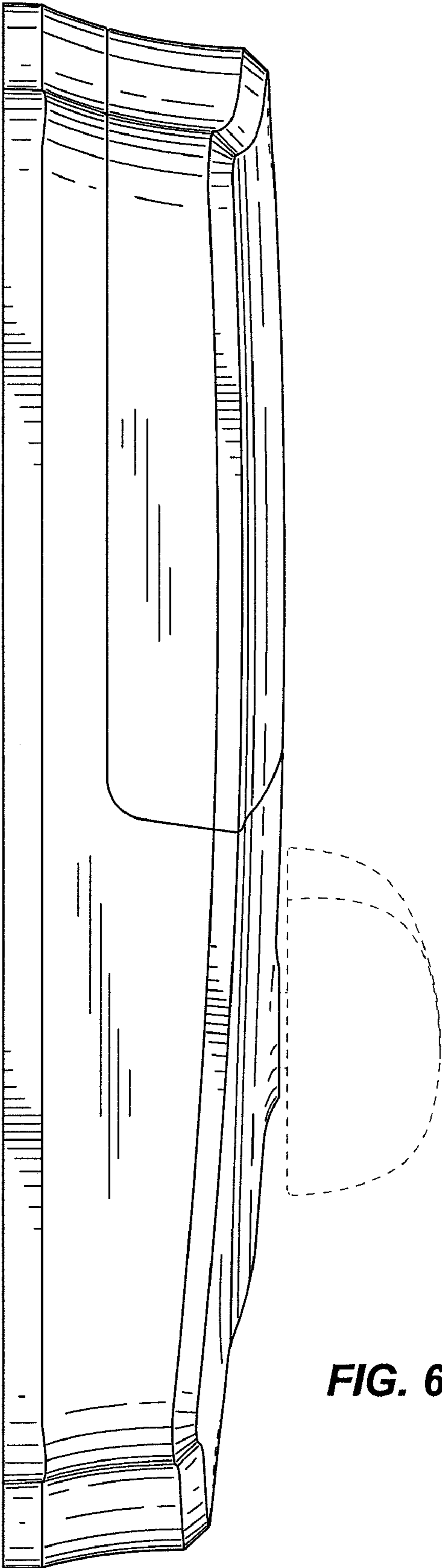


FIG. 6