

US00D592935S

(12) **United States Design Patent**
Mesh et al.

(10) **Patent No.:** **US D592,935 S**

(45) **Date of Patent:** **** May 26, 2009**

(54) **KEY**

(76) Inventors: **Michael Mesh**, 13 Emek Hachula St., Kfar Saba (IL) 44622; **Yitzhak Liechtenstein**, 48 Hachtzav St., Zichron Yaacov (IL) 30900; **Mordechai Bazak**, 46 Reines St., Givatayim (IL) 53461

(**) Term: **14 Years**

(21) Appl. No.: **29/283,065**

(22) Filed: **Aug. 6, 2007**

(30) **Foreign Application Priority Data**

Feb. 20, 2007 (IL) 43800
Feb. 20, 2007 (IL) 43801

(51) **LOC (9) Cl.** **08-07**

(52) **U.S. Cl.** **D8/347**

(58) **Field of Classification Search** D8/330,
D8/331, 347; 70/336, 344-352, 357, 382,
70/393, 387

See application file for complete search history.

(56) **References Cited**

U.S. PATENT DOCUMENTS

3,780,393 A * 12/1973 Gaetke 15/105
6,367,298 B1 * 4/2002 Janssen et al. 70/278.3
6,473,022 B1 * 10/2002 Wu 341/176
D514,429 S * 2/2006 Cook D8/348
D514,921 S * 2/2006 Kosasih D8/347
D557,110 S * 12/2007 Castegnier D8/347
7,360,383 B1 * 4/2008 Chang 70/395
2004/0079125 A1 * 4/2004 Morehart et al. 70/408
2005/0275535 A1 * 12/2005 Hsieh 340/542

* cited by examiner

Primary Examiner—Prabhakar Deshmukh

(74) *Attorney, Agent, or Firm*—Mortechai Bazak; Michael Mesh; Yitzhak Liechtenatein

(57) **CLAIM**

The ornamental design for a key, as shown and described.

DESCRIPTION

FIG. 1 is an exploded perspective view a key showing our new design; shown in an unlocked orientation;

FIG. 2 is a front elevational view thereof;

FIG. 3 is a bottom plan view thereof;

FIG. 4 is a left side elevational view thereof;

FIG. 5 is a top plan view thereof;

FIG. 6 is a front and bottom perspective view thereof;

FIG. 7 is a front and top perspective view thereof;

FIG. 8 is a front elevational view of a key showing our new design; shown in a locked orientation;

FIG. 9 is a bottom plan view thereof;

FIG. 10 is a right side elevational view thereof;

FIG. 11 is a top plan view thereof;

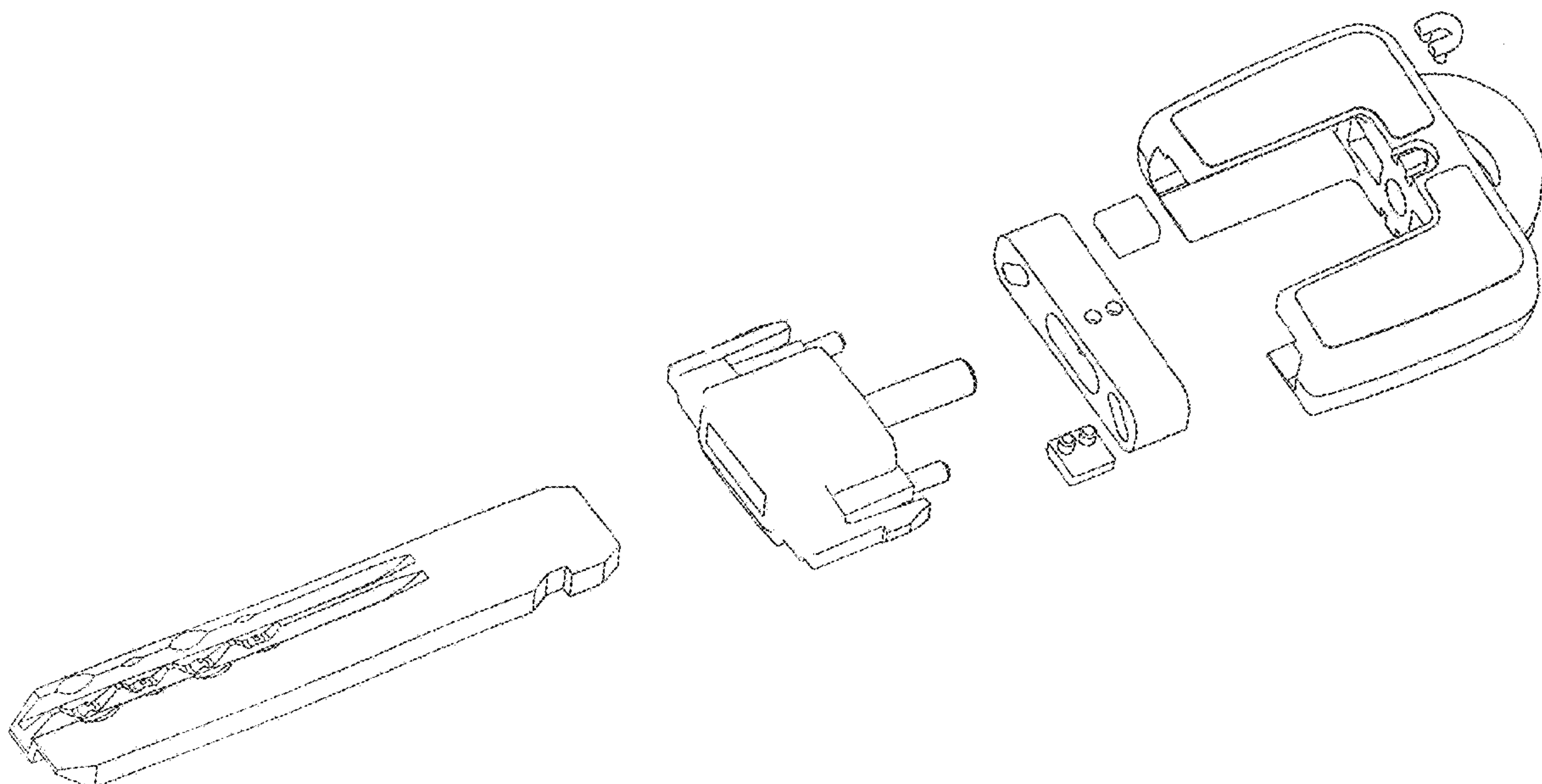
FIG. 12 is an exploded perspective view thereof;

FIG. 13 is a front and bottom perspective view thereof; and,

FIG. 14 is a front and top perspective view thereof.

FIGS. 1-7 show the key in an unlocked condition and FIGS. 8-14 show the key in a locked condition.

1 Claim, 10 Drawing Sheets



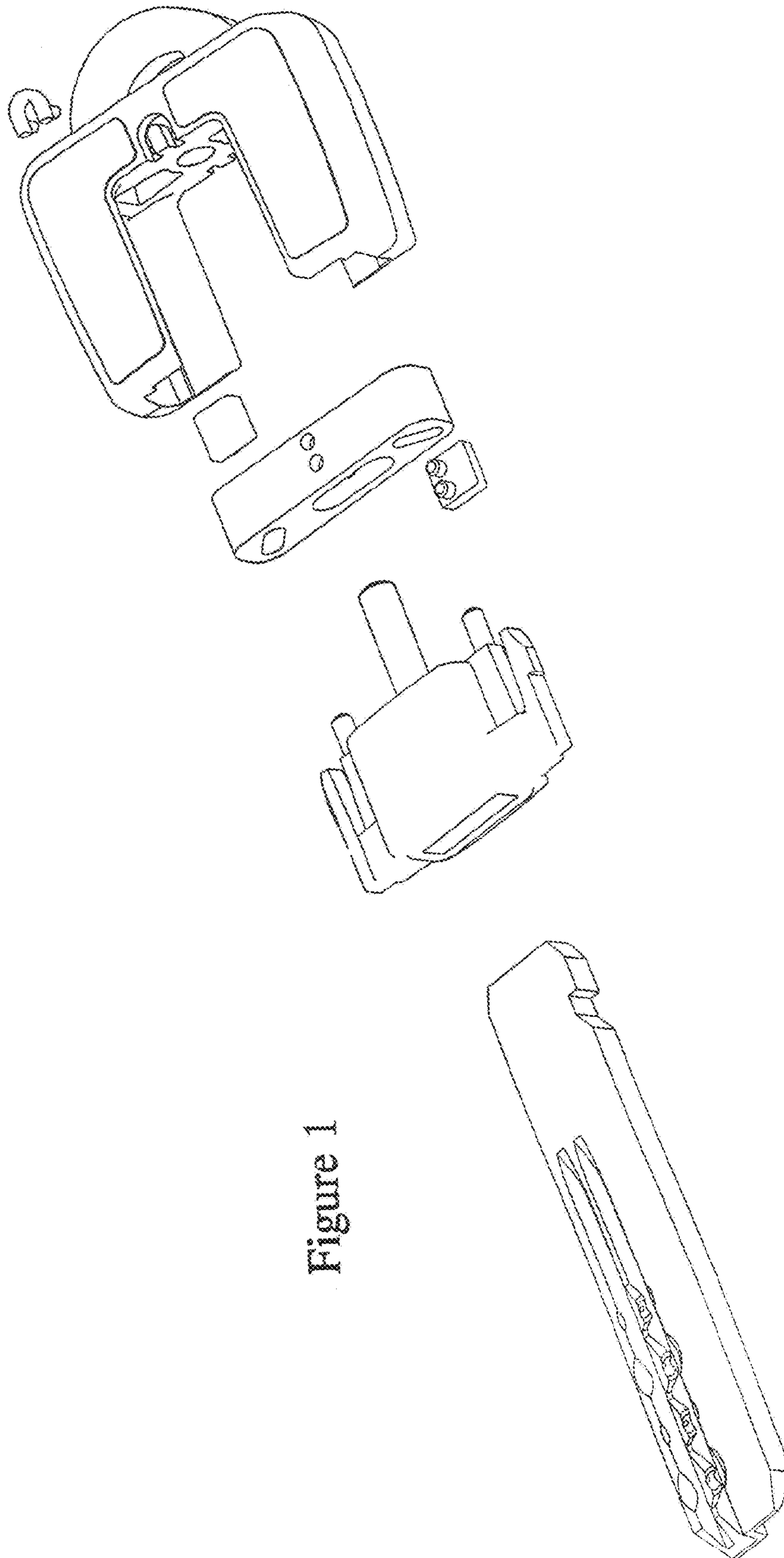


Figure 1

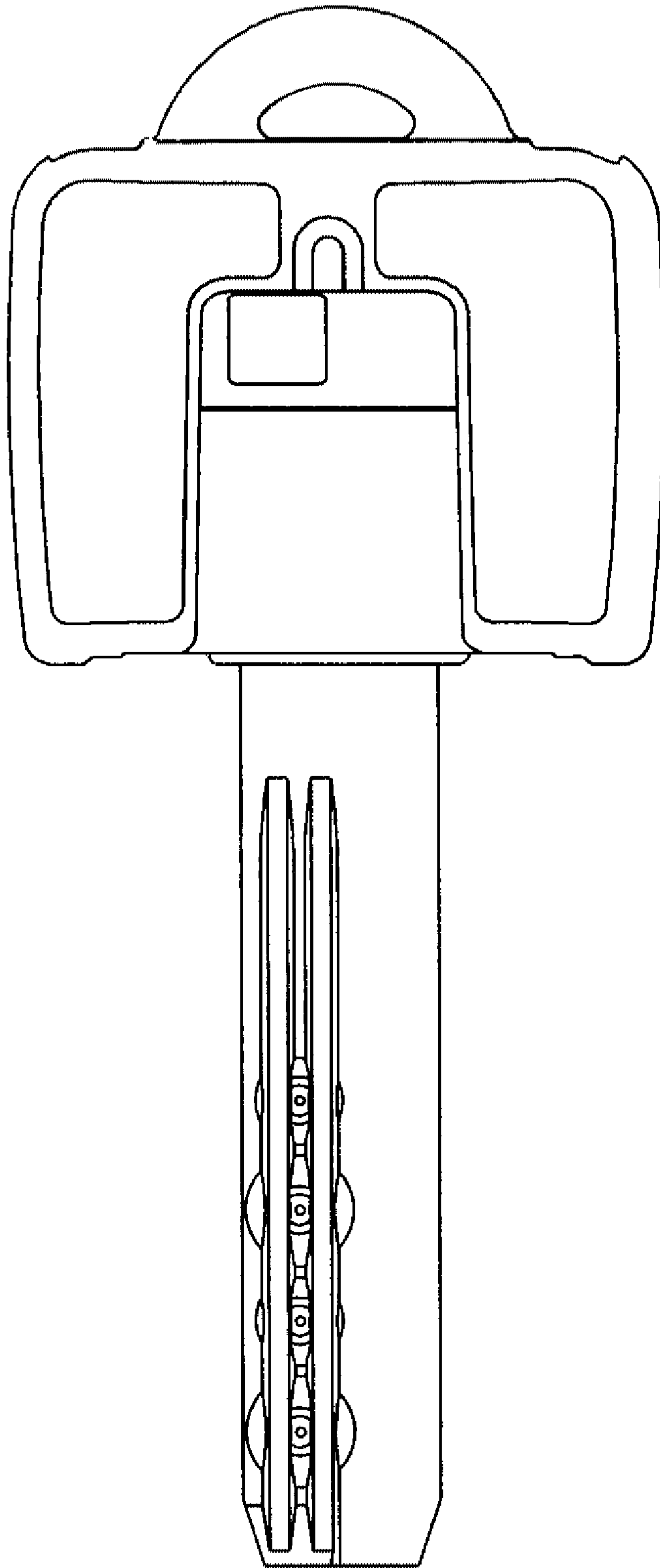


Figure 2

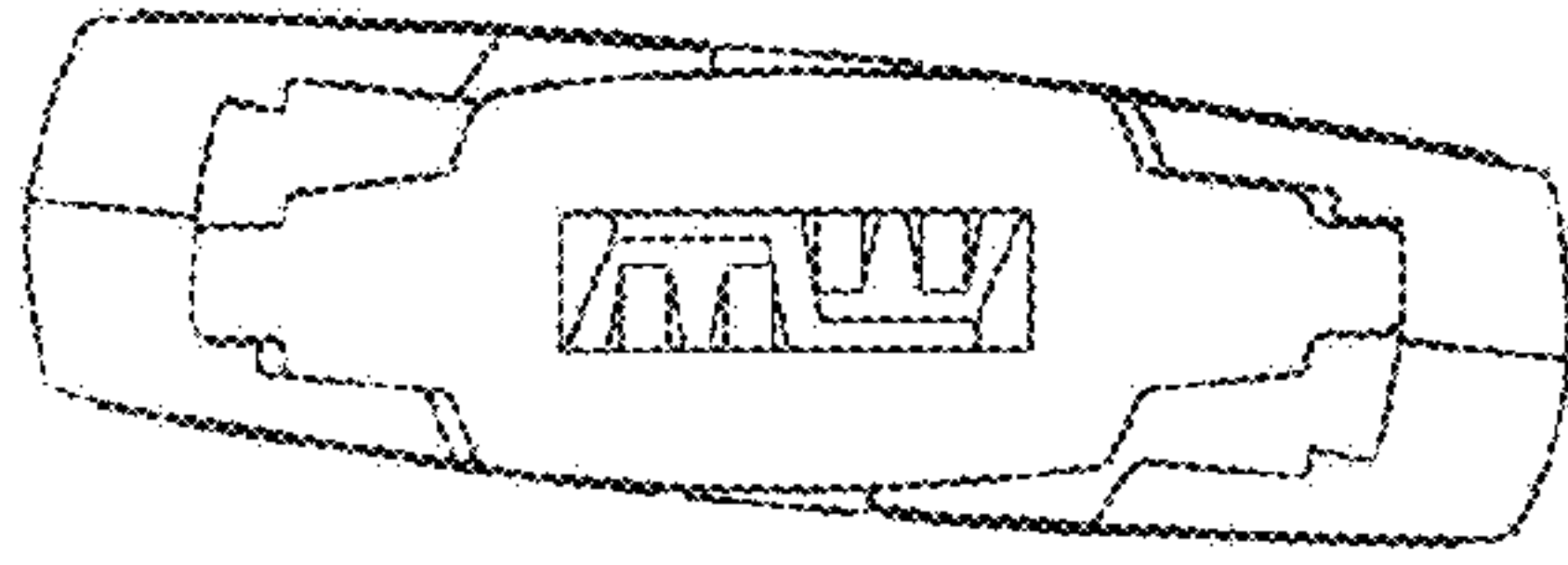


Figure 3

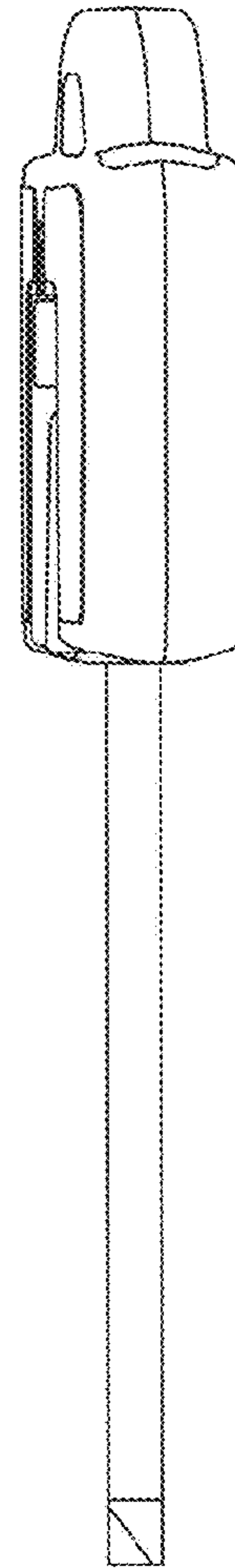


Figure 4

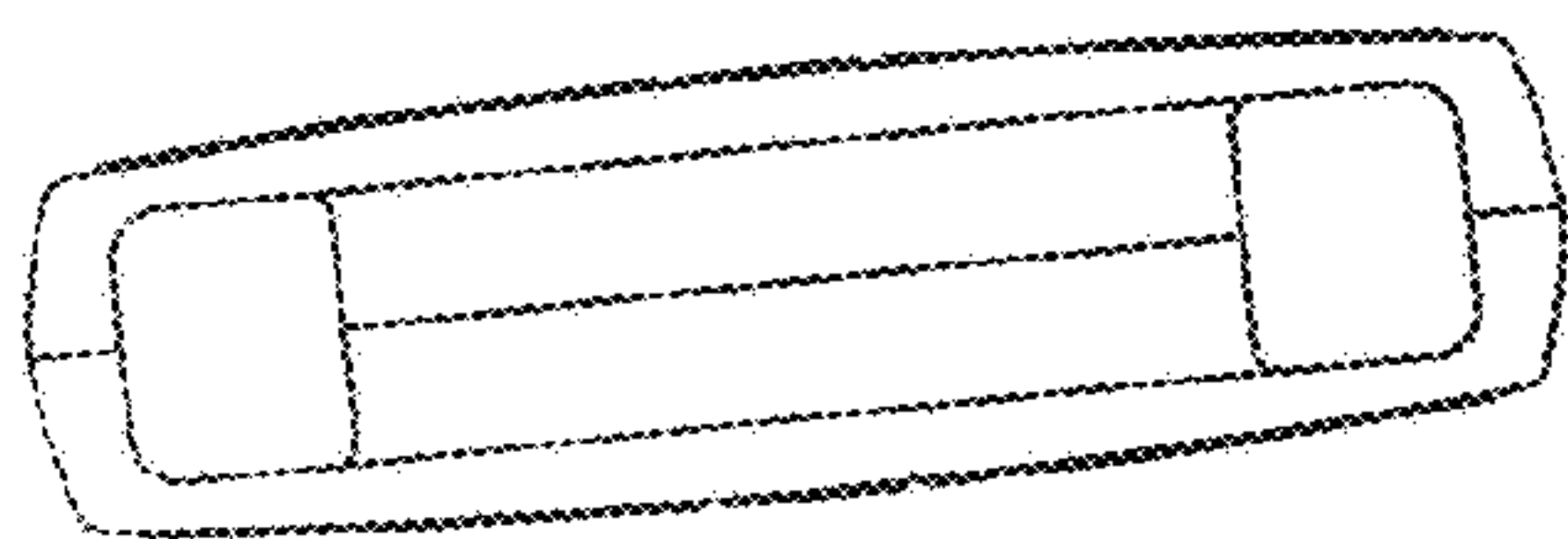


Figure 5

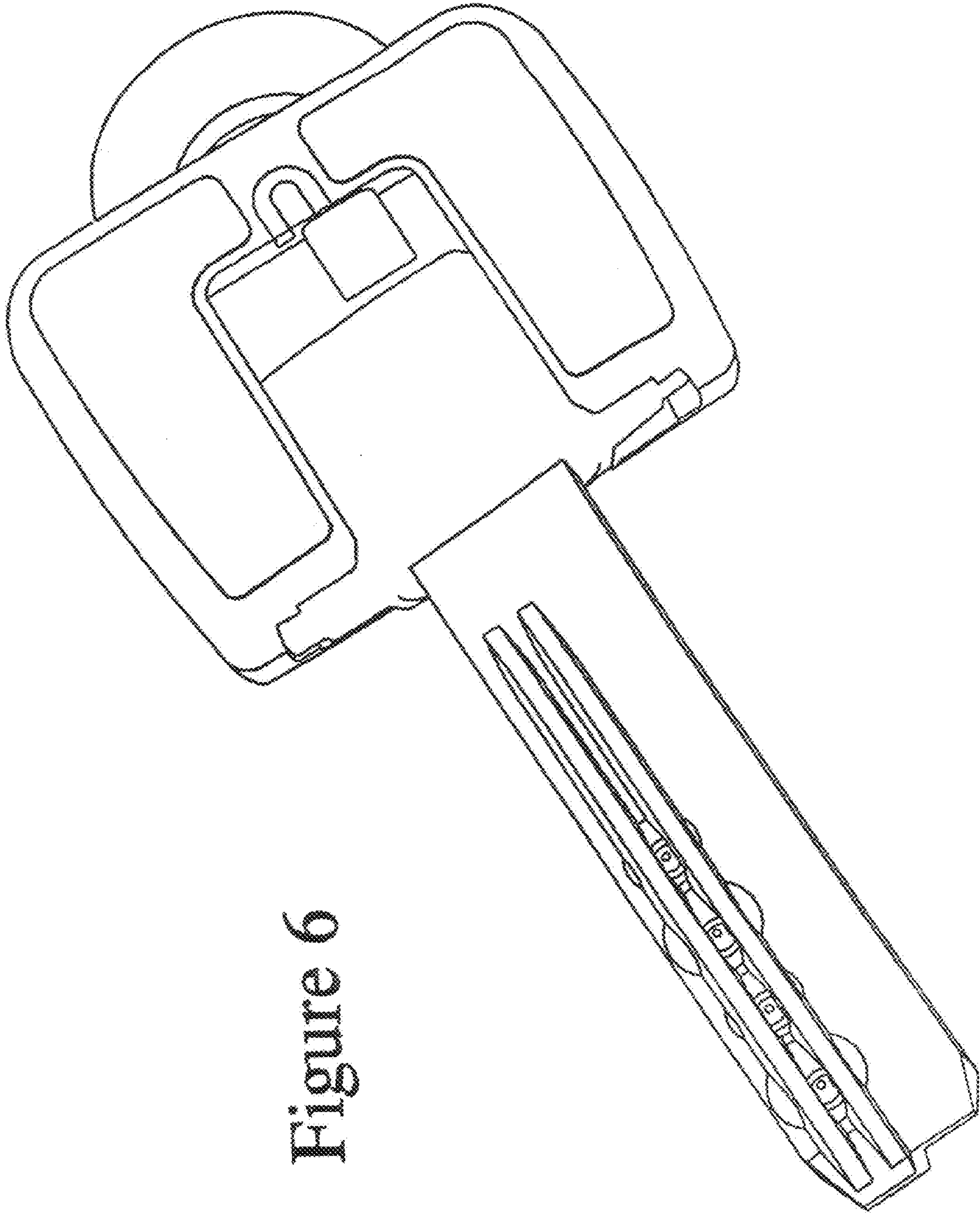


Figure 6

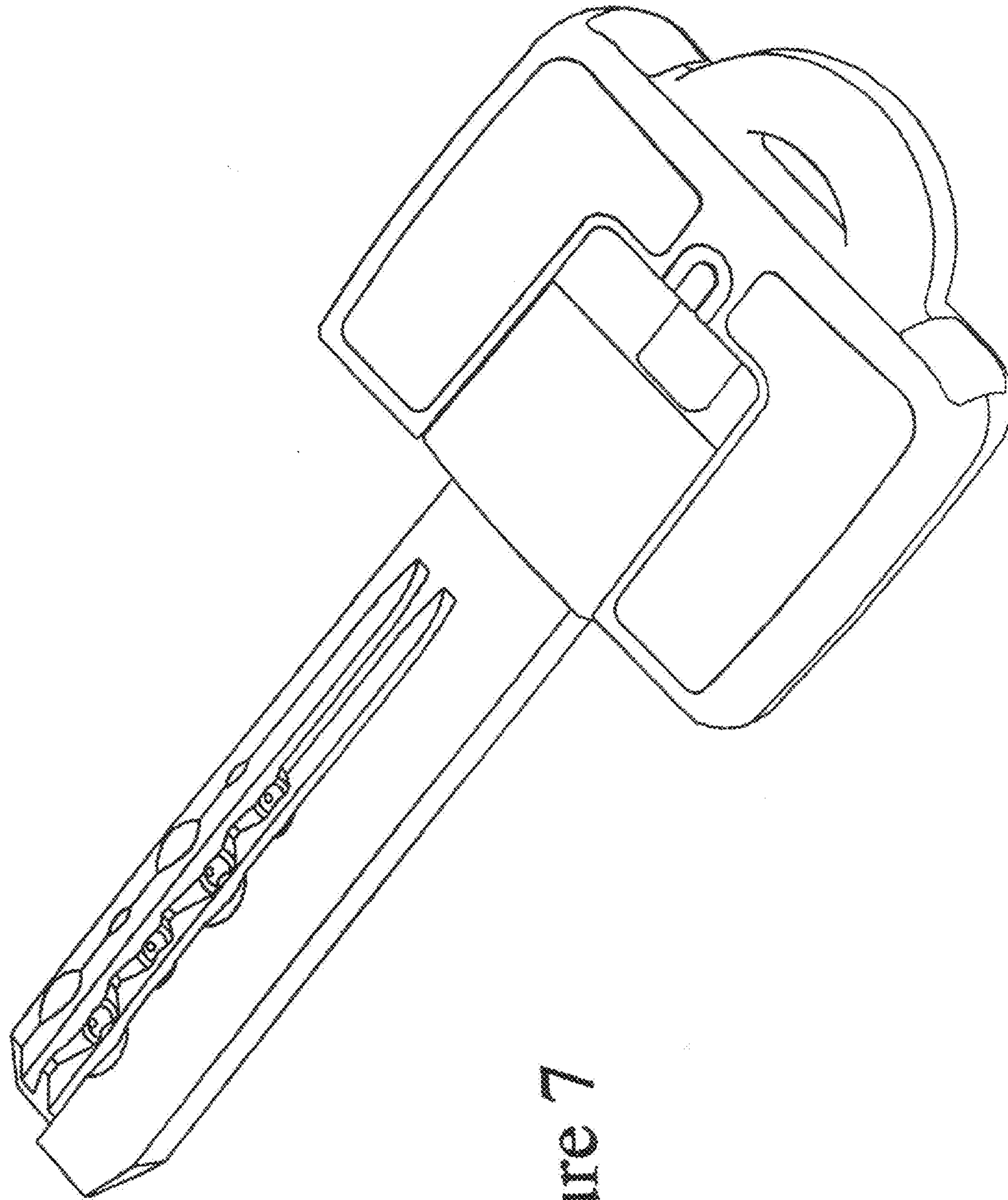


Figure 7

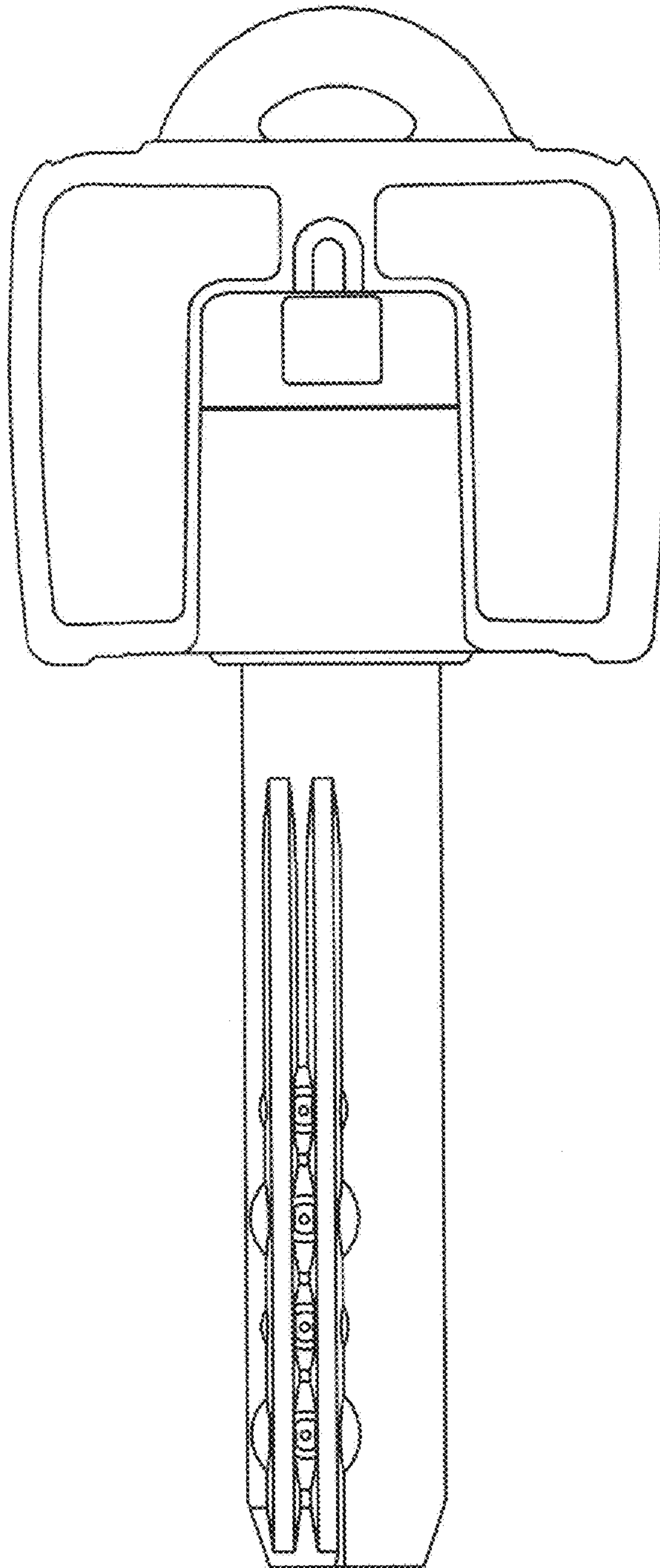


Figure 8

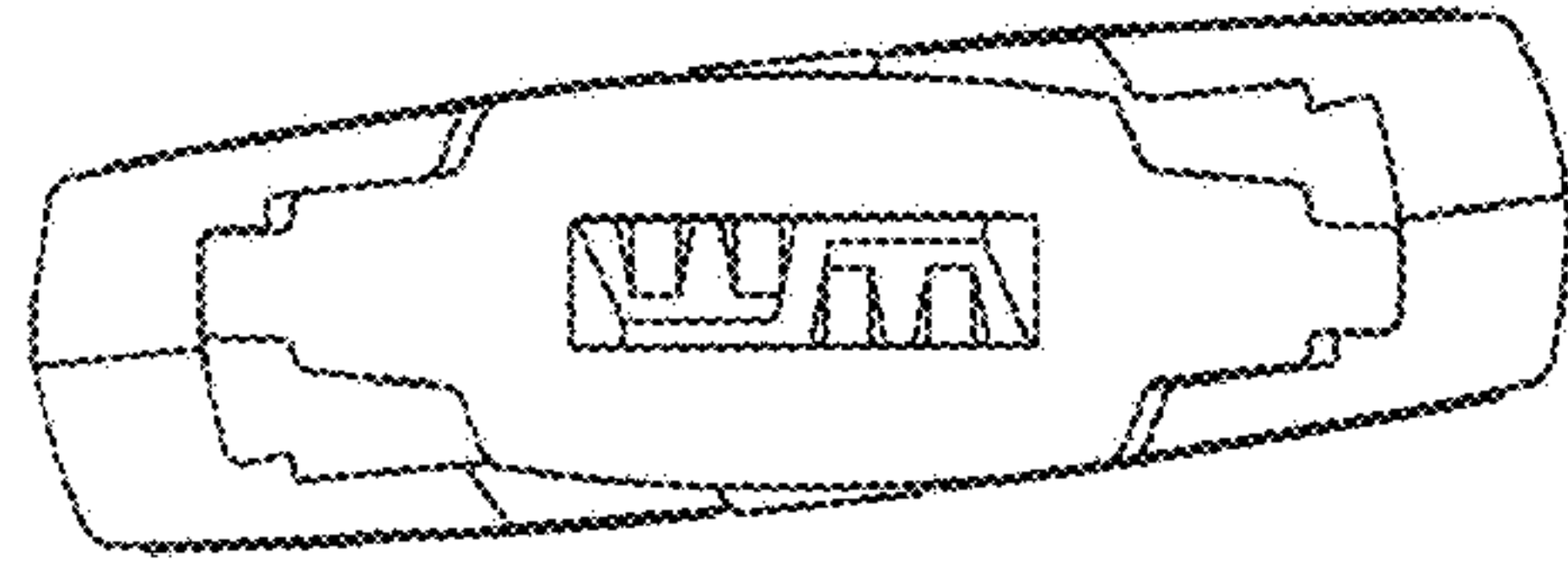


Figure 9

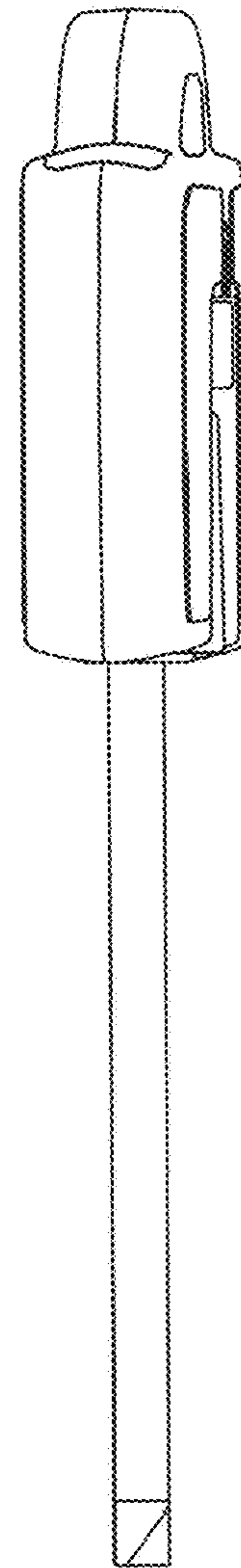


Figure 10

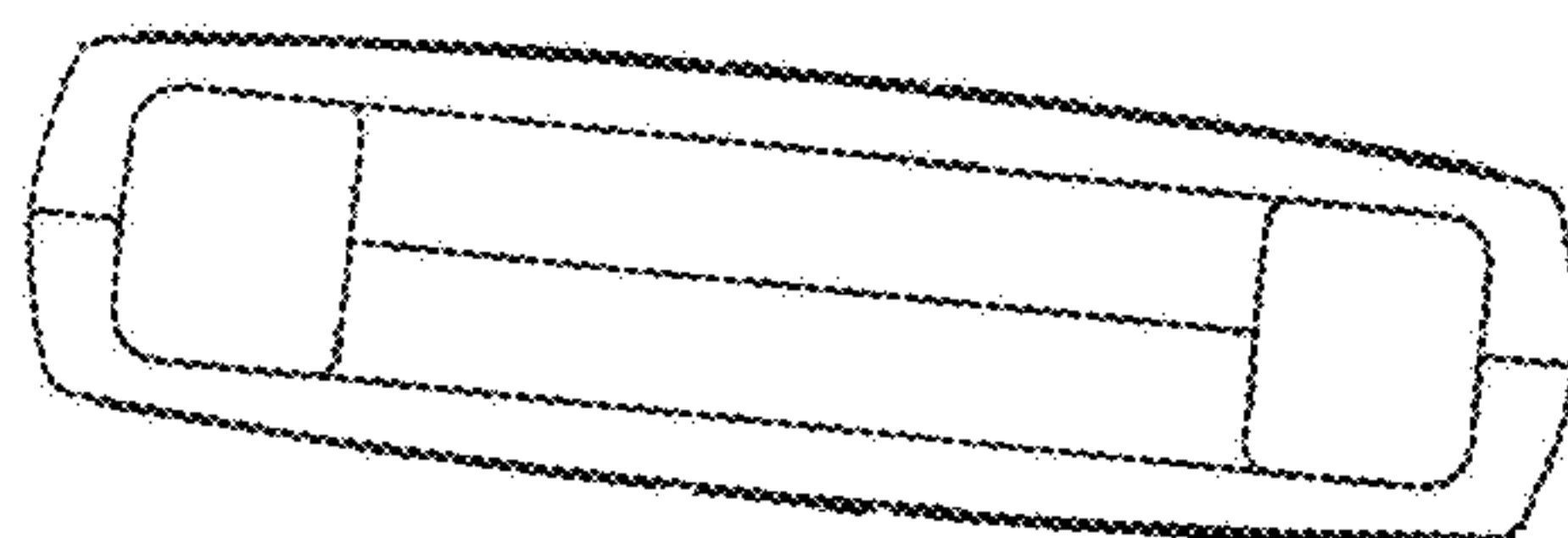


Figure 11

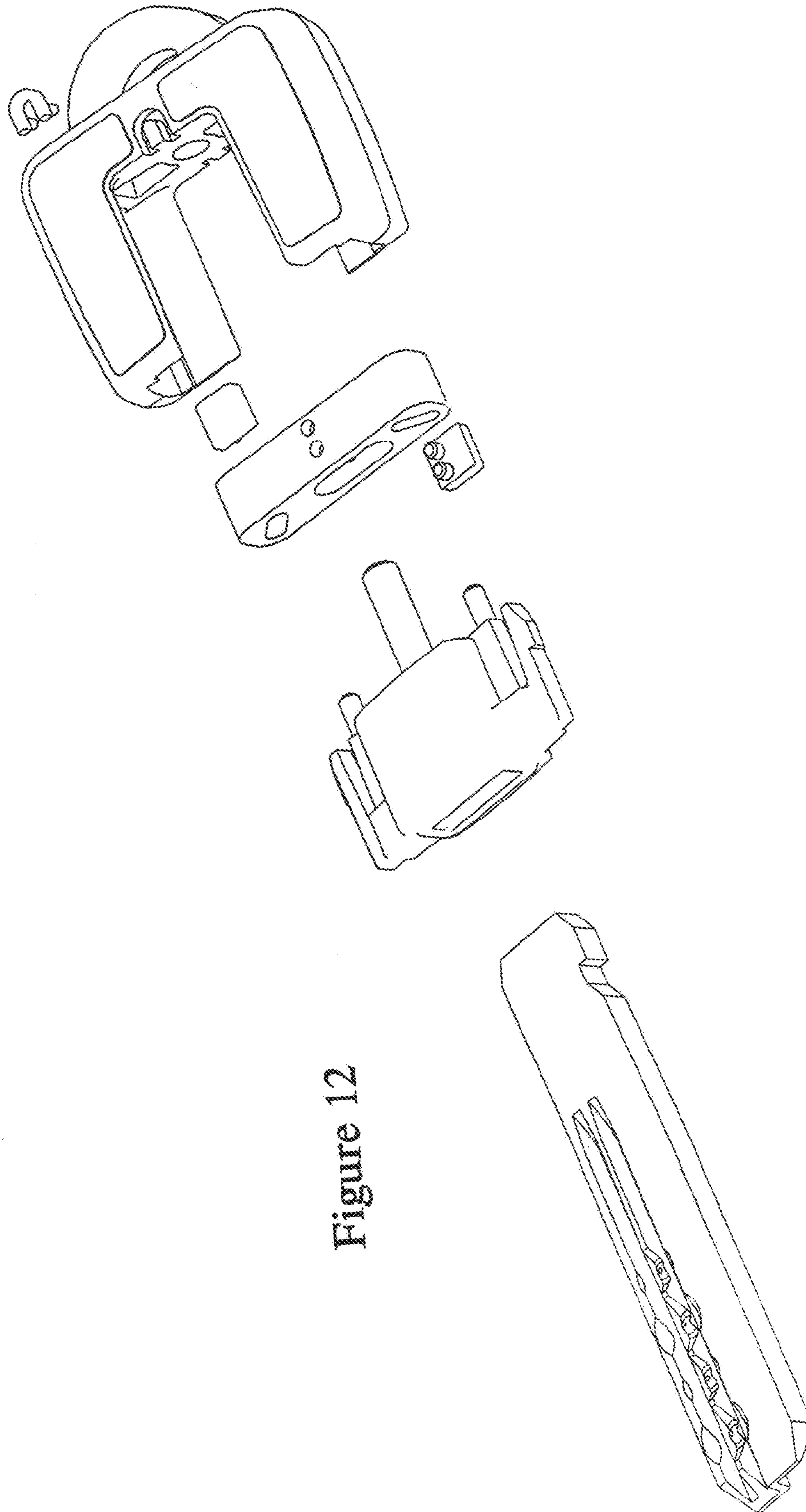


Figure 12

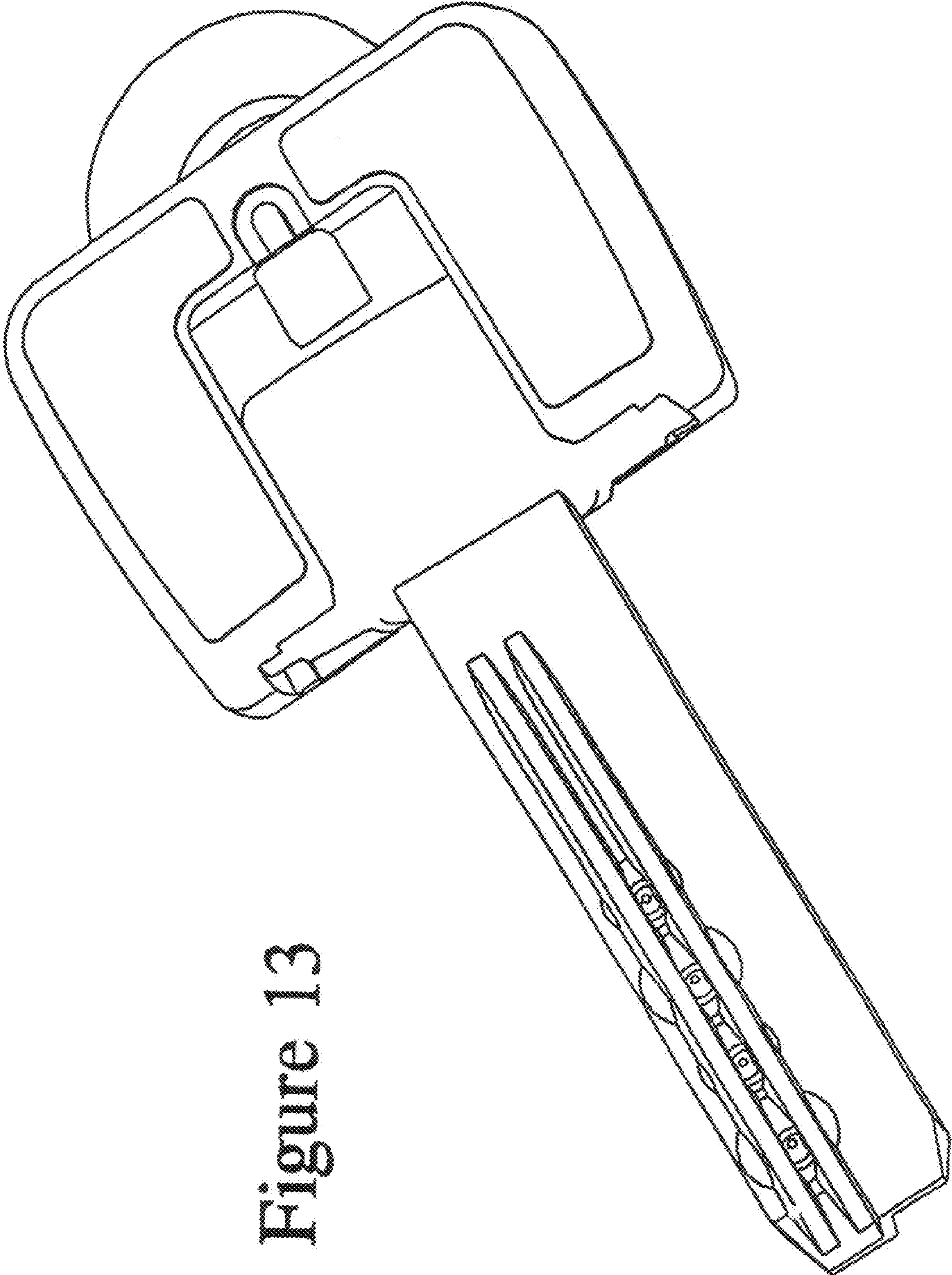


Figure 13

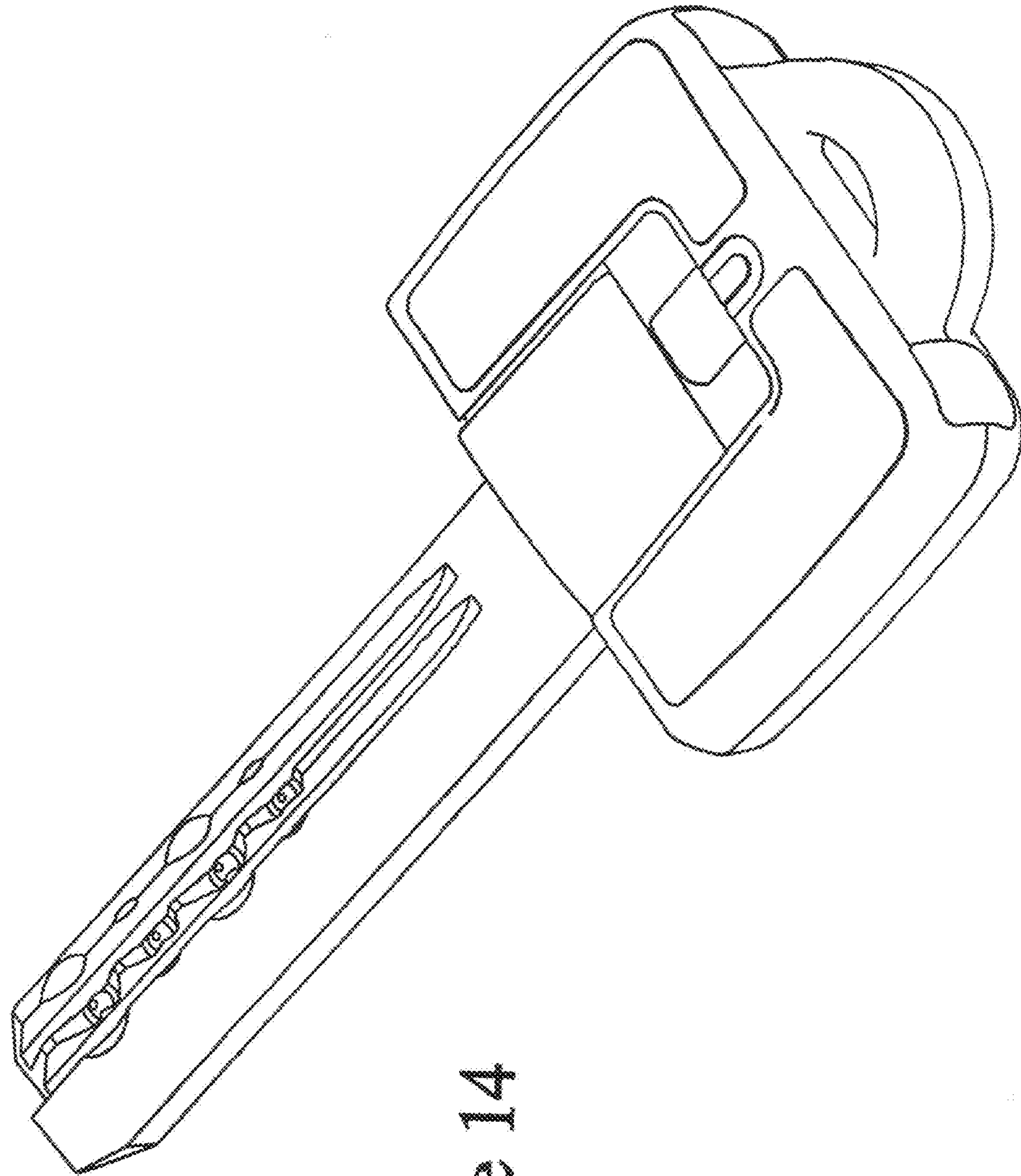


Figure 14