



US00D592934S

(12) **United States Design Patent**
Yang

(10) **Patent No.:** **US D592,934 S**

(45) **Date of Patent:** **** May 26, 2009**

(54) **PADLOCK**

7,251,967 B2 * 8/2007 Yang 70/63
D550,062 S * 9/2007 Smaldone D8/334
7,426,841 B2 * 9/2008 Yang 70/63

(76) Inventor: **Yao-Kun Yang**, No. 101, Lane 93,
Chang Lu Road, Chang Hua City (TW)

(**) Term: **14 Years**

* cited by examiner

Primary Examiner—Prabhakar Deshmukh
(74) *Attorney, Agent, or Firm*—Browdy and Neimark,
P.L.L.C.

(21) Appl. No.: **29/329,117**

(22) Filed: **Dec. 9, 2008**

(57) **CLAIM**

(51) **LOC (9) Cl.** **08-07**

The ornamental design for a padlock, as shown.

(52) **U.S. Cl.** **D8/334**

(58) **Field of Classification Search** D8/330,
D8/331, 336–330, 334; 70/14, 20–22, 25,
70/26, 38 R, 38 A, 38 B, 284, 285, DIG. 9,
70/DIG. 63, DIG. 71

DESCRIPTION

See application file for complete search history.

FIG. 1 shows a perspective view of a padlock showing the present design;

FIG. 2 shows a left side elevational view thereof;

FIG. 3 shows a front elevational view thereof;

FIG. 4 shows a right side elevational view thereof;

FIG. 5 shows a rear elevational view thereof.

FIG. 6 shows a top plan view thereof; and,

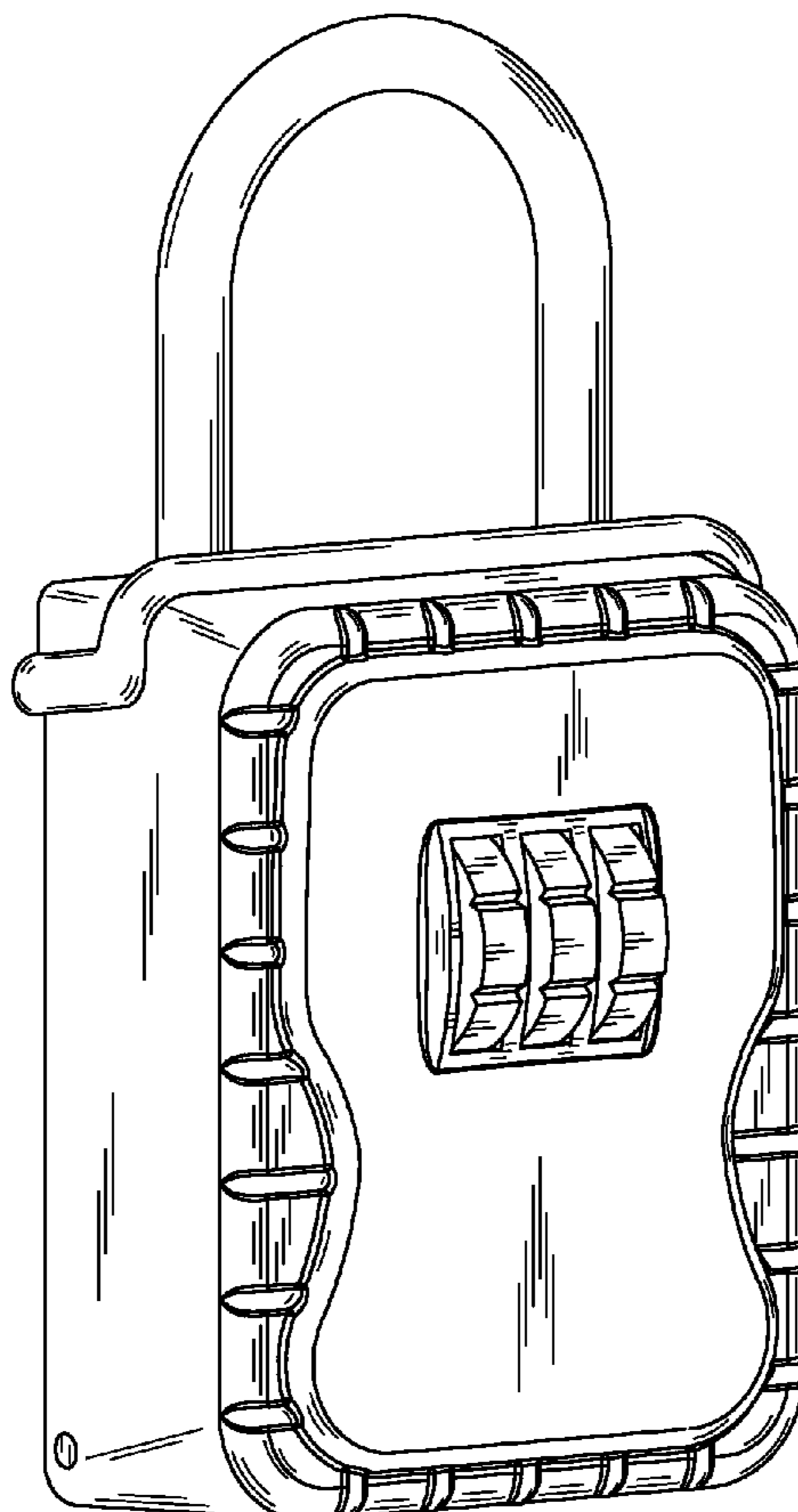
FIG. 7 shows a bottom plan view thereof.

(56) **References Cited**

U.S. PATENT DOCUMENTS

3,750,431 A * 8/1973 Atkinson 70/21
4,444,029 A * 4/1984 Remington 70/25
D339,055 S * 9/1993 Ling D8/334
D372,187 S * 7/1996 Ling D8/334
6,834,519 B1 * 12/2004 Yang 70/58
D535,548 S * 1/2007 Lin D8/334

1 Claim, 4 Drawing Sheets



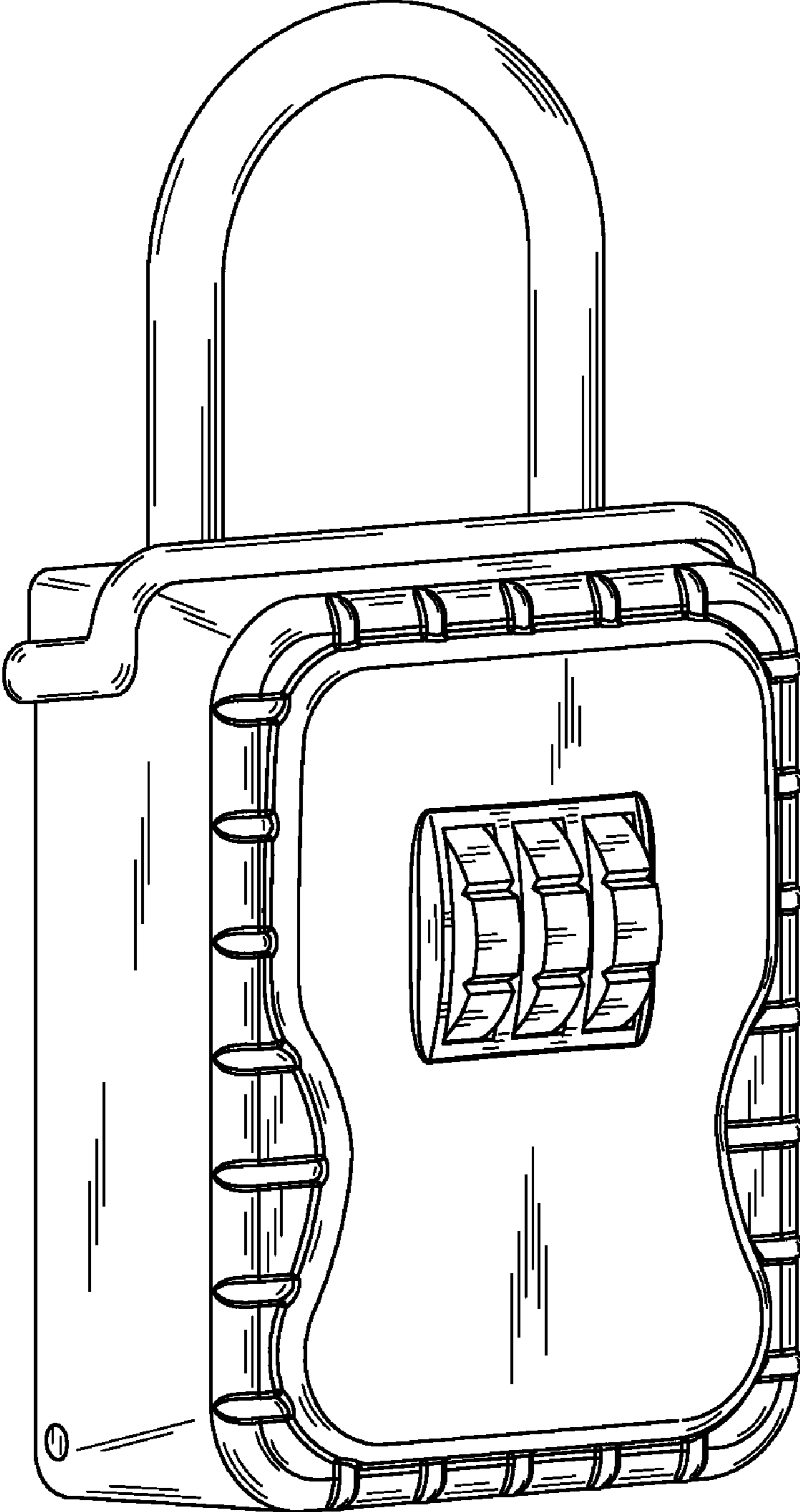


FIG. 1

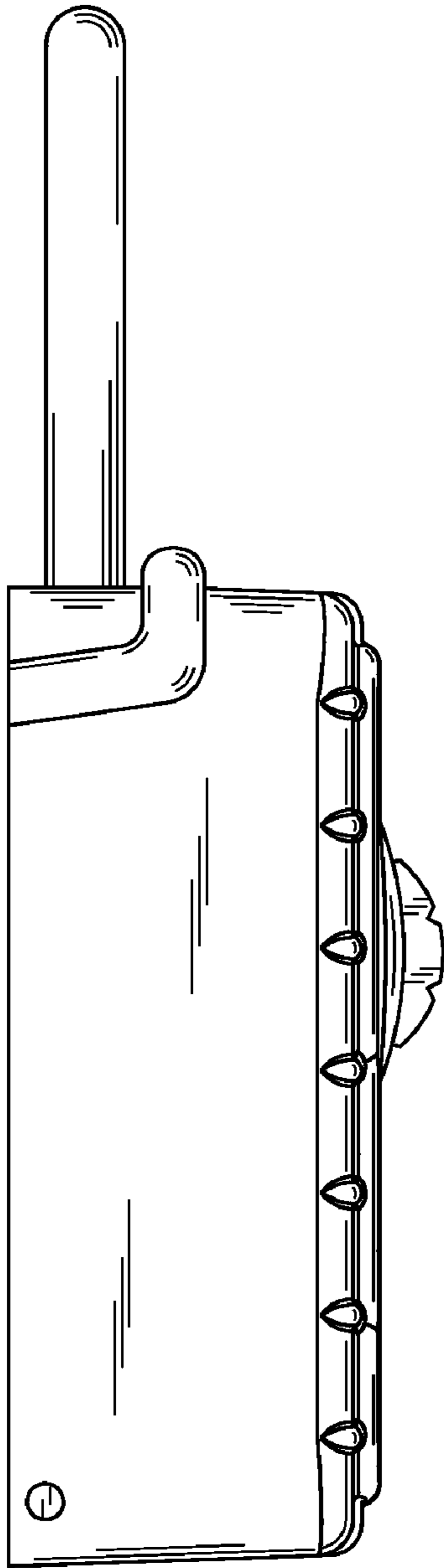


FIG. 2

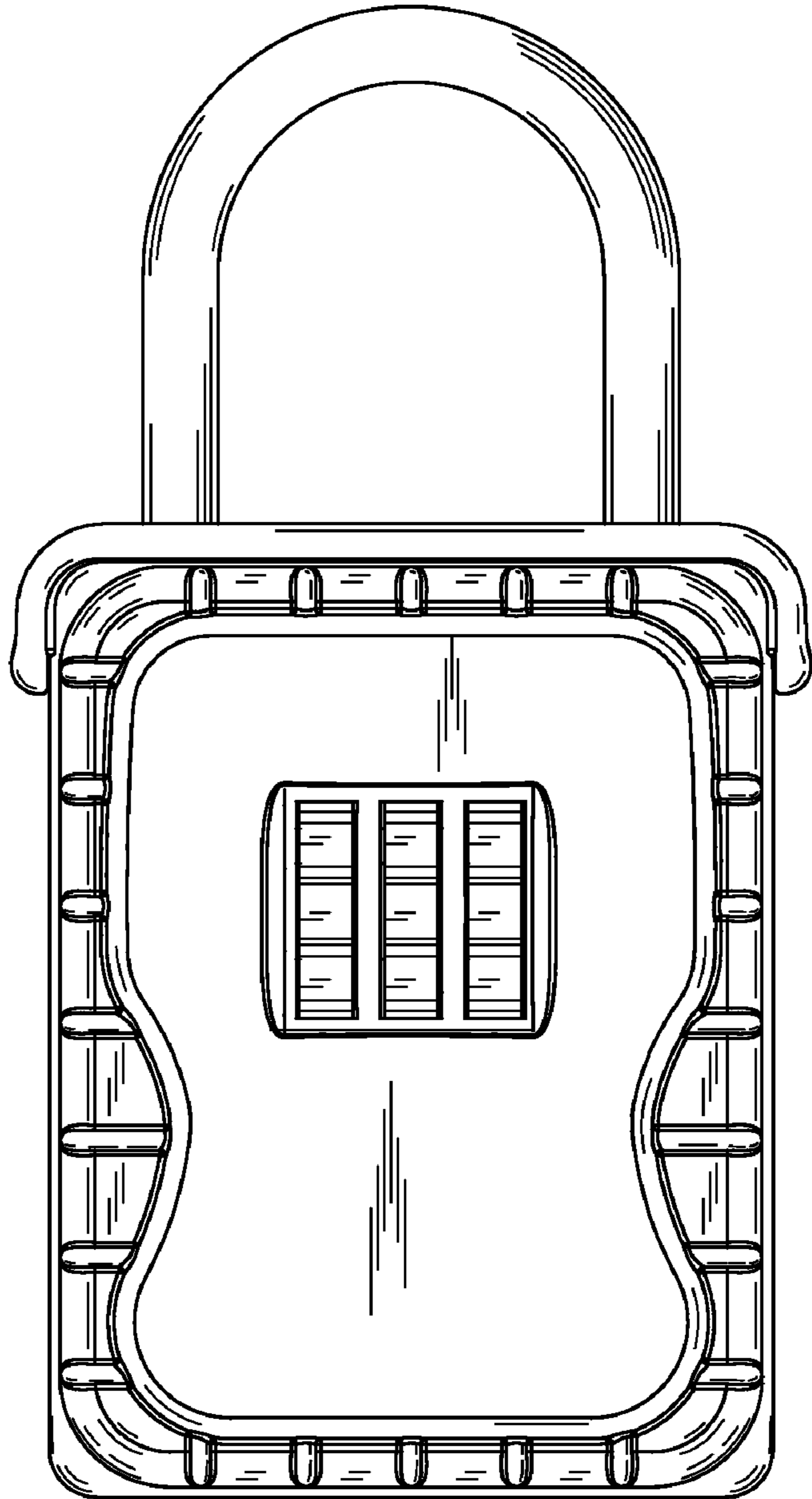


FIG. 3

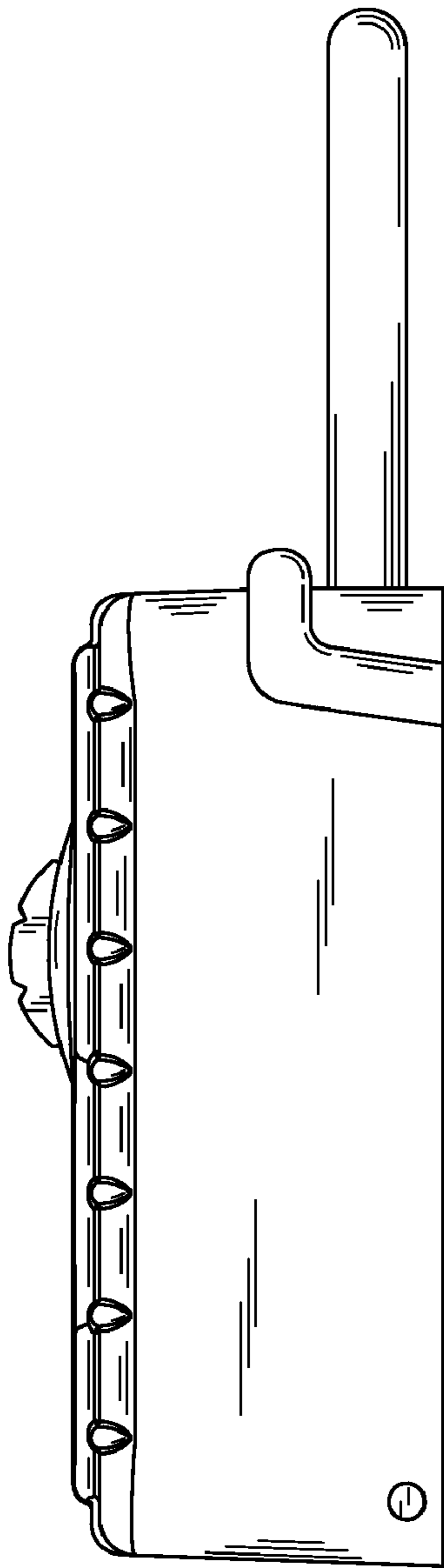


FIG. 4

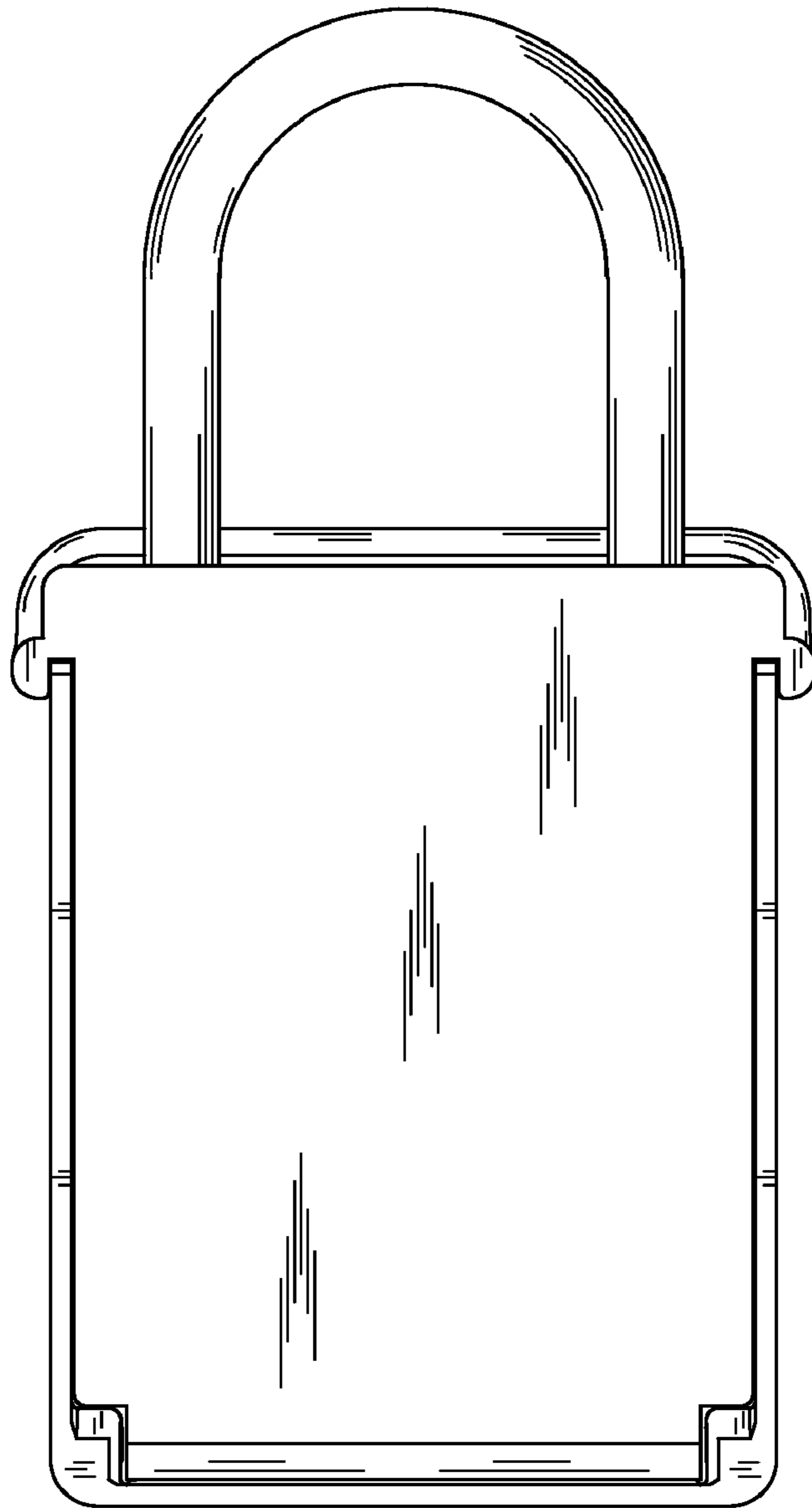


FIG. 5

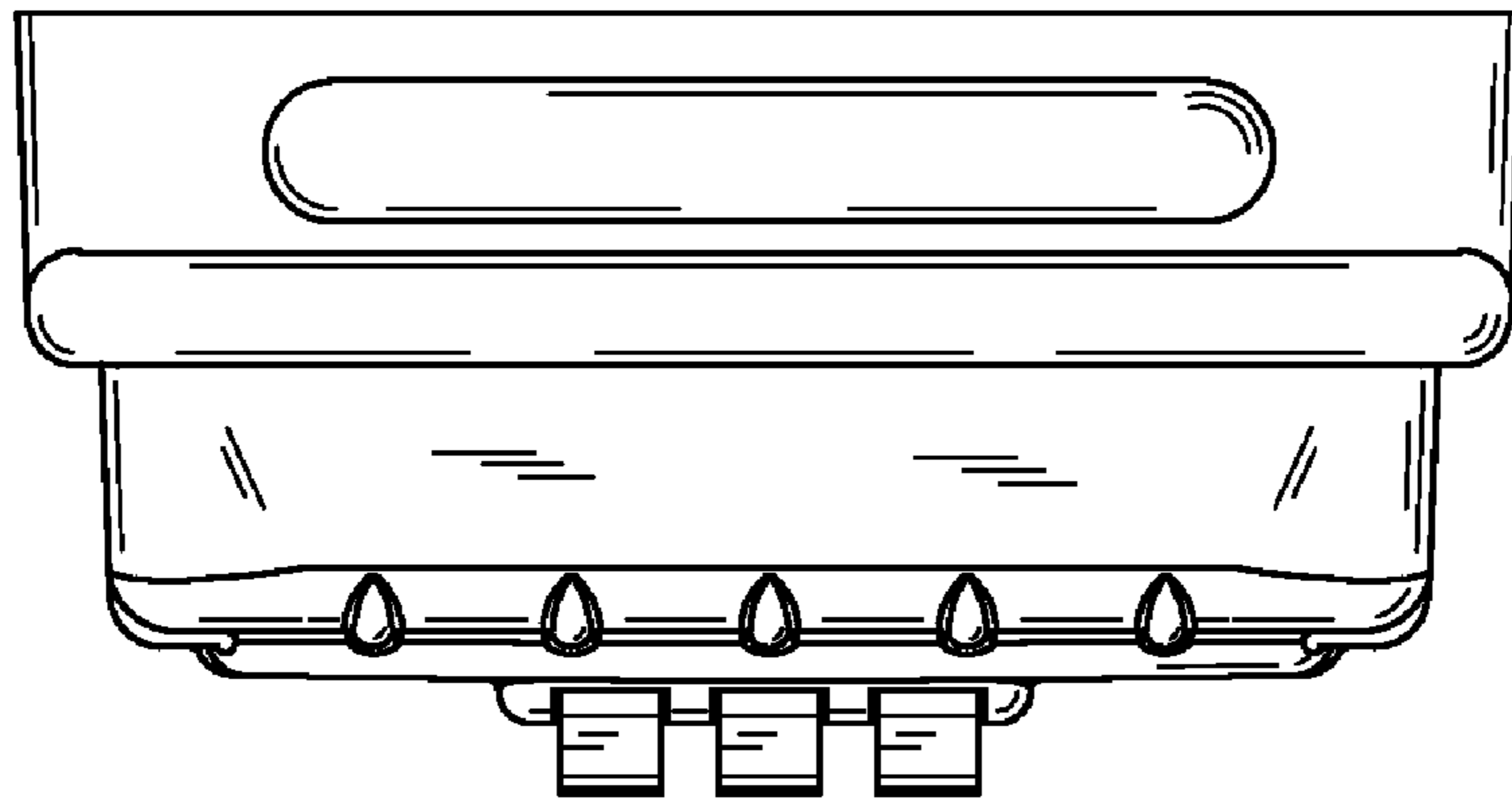


FIG. 6

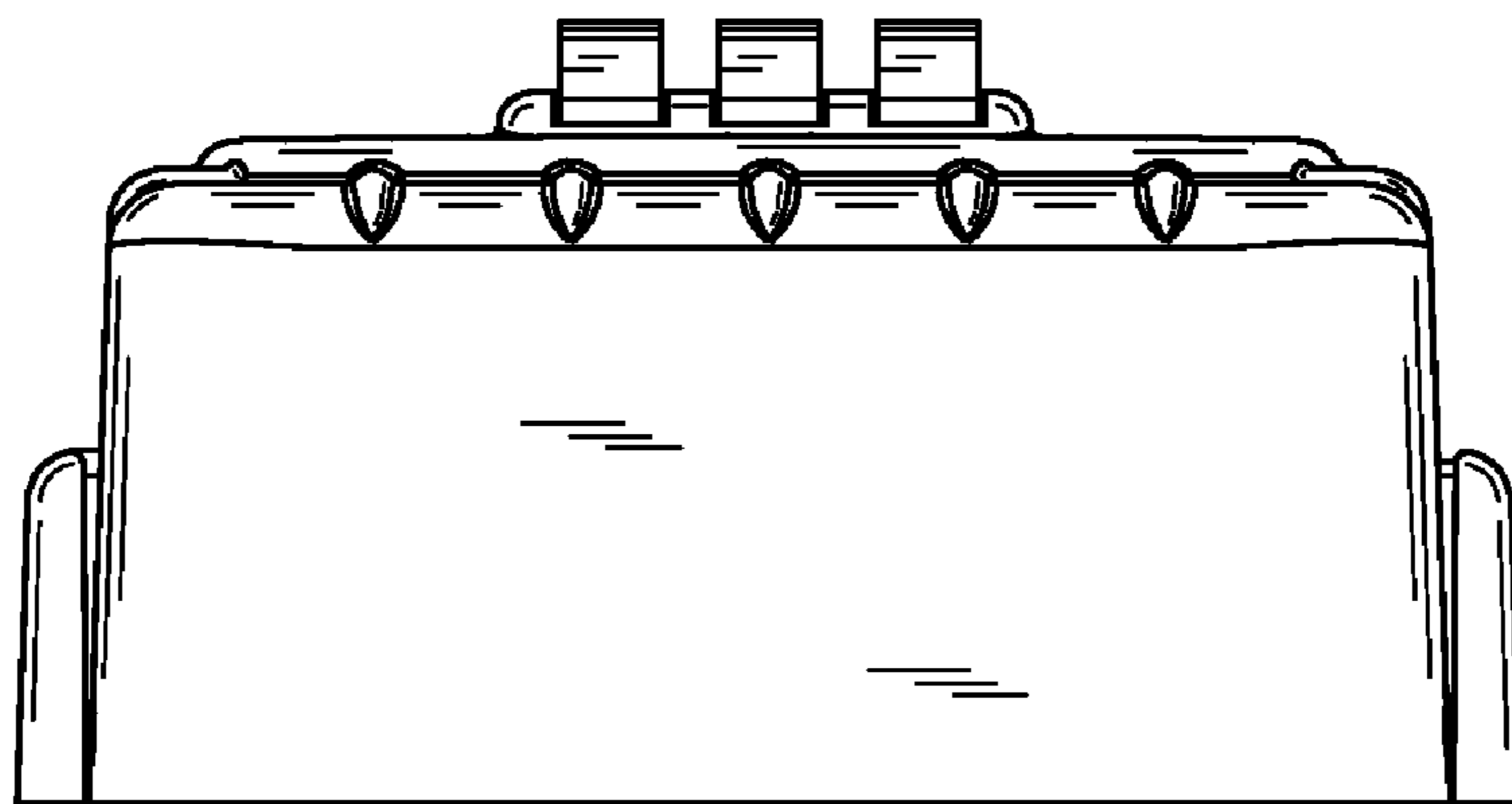


FIG. 7