

US00D592929S

(12) **United States Design Patent**
Svedberg

(10) **Patent No.:** **US D592,929 S**

(45) **Date of Patent:** **** May 26, 2009**

(54) **HOLDER FOR PART OF AN EDGE PROTECTION SYSTEM**

(75) Inventor: **Joakim Svedberg**, Frôsôn (SE)

(73) Assignee: **Combisafe International AB**, Osterund (SE)

(**) Term: **14 Years**

(21) Appl. No.: **29/264,042**

(22) Filed: **Aug. 3, 2006**

(51) **LOC (9) Cl.** **08-05**

(52) **U.S. Cl.** **D8/72**

(58) **Field of Classification Search** D8/71-74,
D8/394-397, 354, 355, 356; 248/62, 689,
248/124.2, 313; 81/10, 118, 132, 155-164,
81/173, 175; 269/3, 6, 143, 165, 240-253,
269/91; D15/140; D25/38, 131, 68

See application file for complete search history.

(56) **References Cited**

U.S. PATENT DOCUMENTS

D272,766 S * 2/1984 Guerriero D25/68

(Continued)

Primary Examiner—T. Chase Nelson

Assistant Examiner—David G Muller

(74) *Attorney, Agent, or Firm*—Birch, Stewart, Kolasch & Birch, LLP

(57) **CLAIM**

The ornamental design for a holder for part of an edge protection system, as shown and described.

DESCRIPTION

FIG. 1 is a front, top, right perspective view of a first embodiment of a holder for part of an edge protection system showing my new design;

FIG. 2 is a rear, bottom, right perspective view of a first embodiment of a holder for part of an edge protection system showing my new design;

FIG. 3 is a rear view of a first embodiment of a holder for part of an edge protection system showing my new design;

FIG. 4 is a left side view of a first embodiment of a holder for part of an edge protection system showing my new design;

FIG. 5 is a top view of a first embodiment of a holder for part of an edge protection system showing my new design;

FIG. 6 is a front view of a first embodiment of a holder for part of an edge protection system showing my new design;

FIG. 7 is a right side view of a first embodiment of a holder for part of an edge protection system showing my new design;

FIG. 8 is a bottom view of a first embodiment of a holder for part of an edge protection system showing my new design;

FIG. 9 is a front, top, right perspective view of a second embodiment of a holder for part of an edge protection system showing my new design;

FIG. 10 is a rear, bottom, right perspective view of a second embodiment of a holder for part of an edge protection system showing my new design;

FIG. 11 is a rear view of a second embodiment of a holder for part of an edge protection system showing my new design;

FIG. 12 is a left side view of a second embodiment of a holder for part of an edge protection system showing my new design;

FIG. 13 is a top view of a second embodiment of a holder for part of an edge protection system showing my new design;

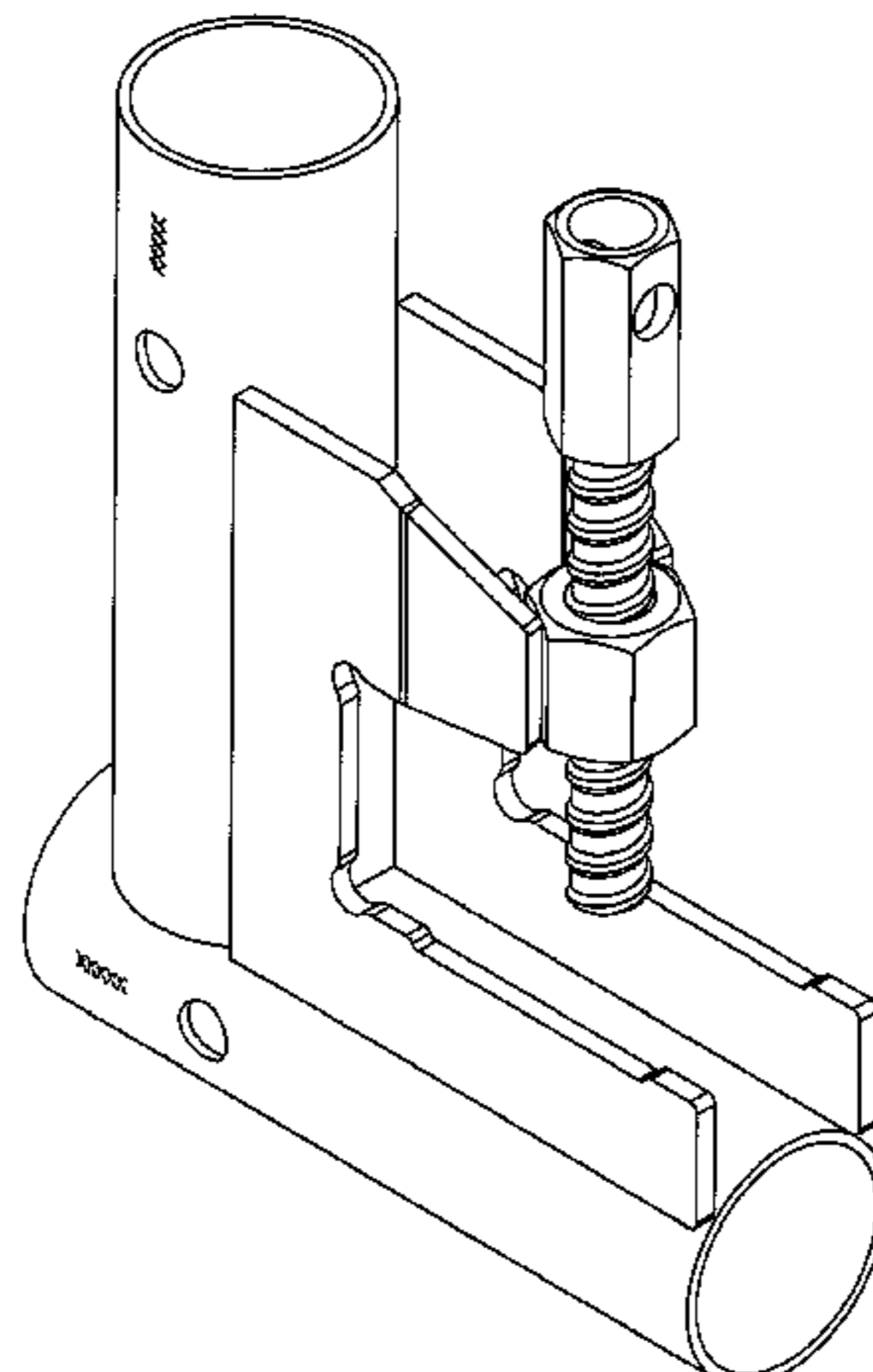
FIG. 14 is a front view of a second embodiment of a holder for part of an edge protection system showing my new design;

FIG. 15 is a right side view of a second embodiment of a holder for part of an edge protection system showing my new design; and,

FIG. 16 is a bottom view of a second embodiment of a holder for part of an edge protection system showing my new design.

The portions of the drawings illustrated in broken lines are for environmental purposes only and form no part of the claimed design.

1 Claim, 12 Drawing Sheets



US D592,929 S

Page 2

U.S. PATENT DOCUMENTS

D288,772 S *	3/1987	Forrest	D8/356	D435,433 S *	12/2000	Miller et al.	D8/354
D297,411 S *	8/1988	Angel	D8/354	6,342,138 B1 *	1/2002	Brown	248/689
D382,788 S *	8/1997	Wages	D8/71	D484,399 S *	12/2003	Arthur	D8/394
D389,334 S *	1/1998	Attridge	D8/394	D487,161 S *	2/2004	Svedberg	D25/131
D413,429 S *	9/1999	Carson	D8/72	6,974,276 B2 *	12/2005	Kirchner et al.	248/62
D418,033 S *	12/1999	Svedberg	D8/72	D574,220 S *	8/2008	Svedberg et al.	D8/354

* cited by examiner

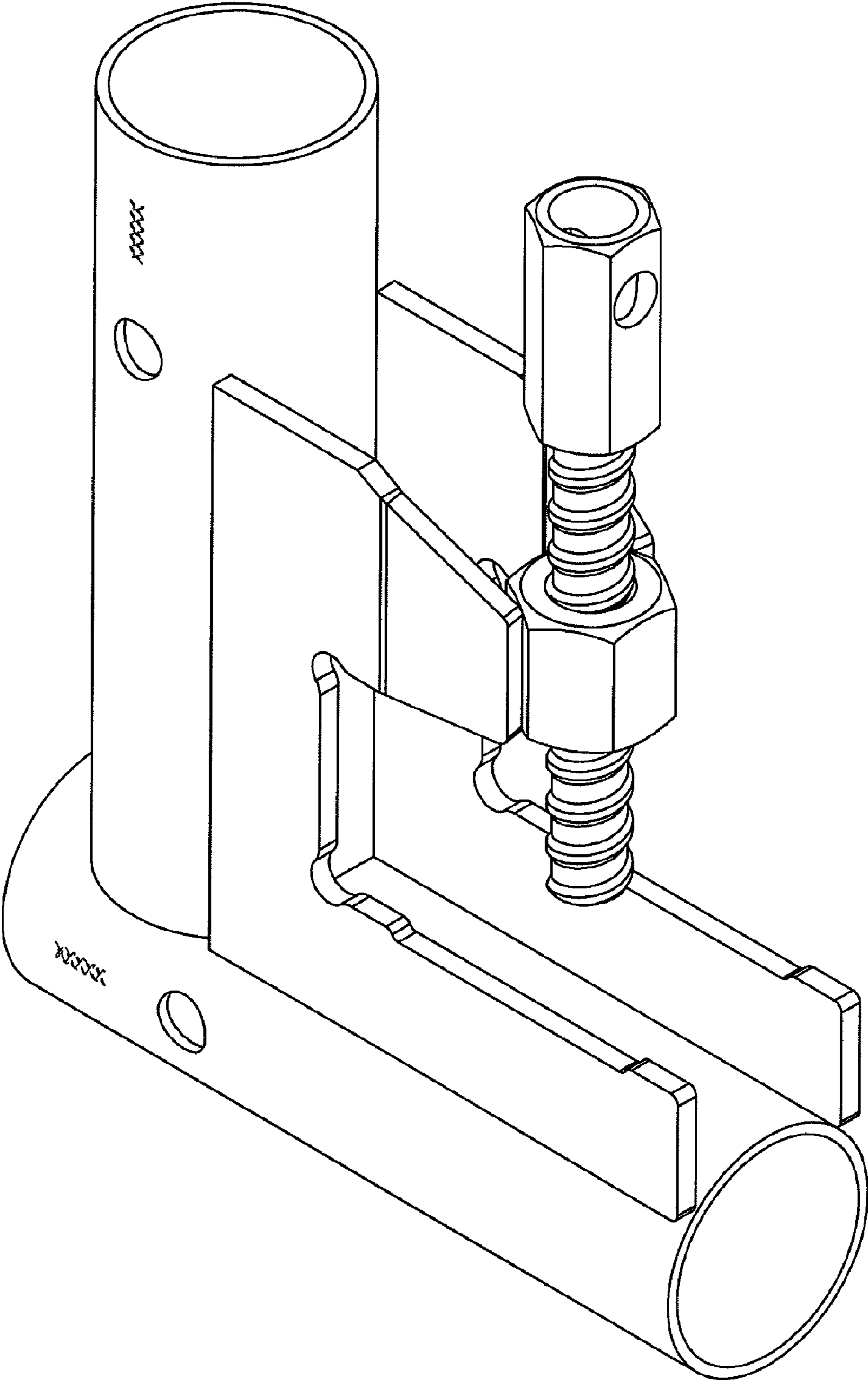


FIG. 1

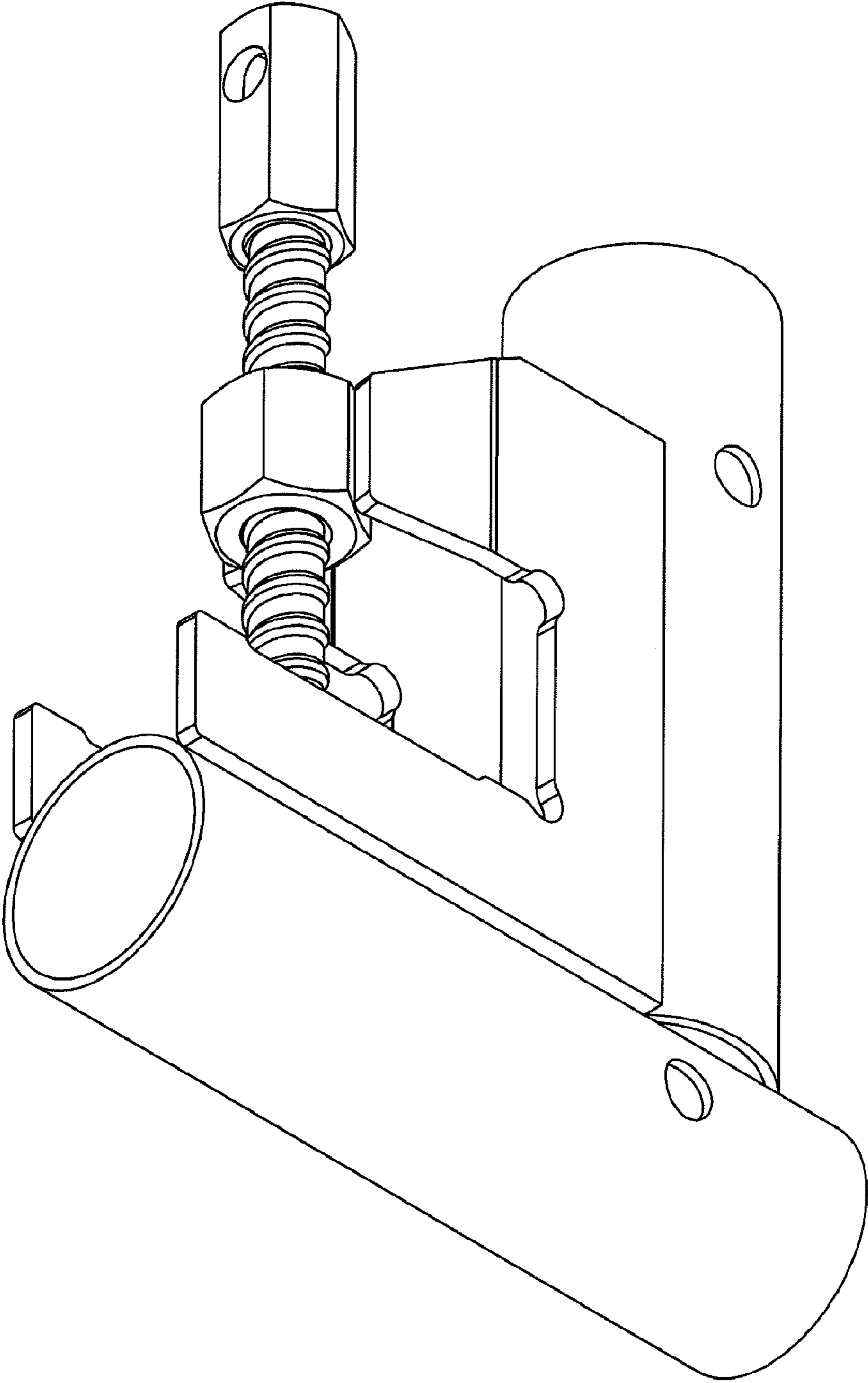


FIG.2

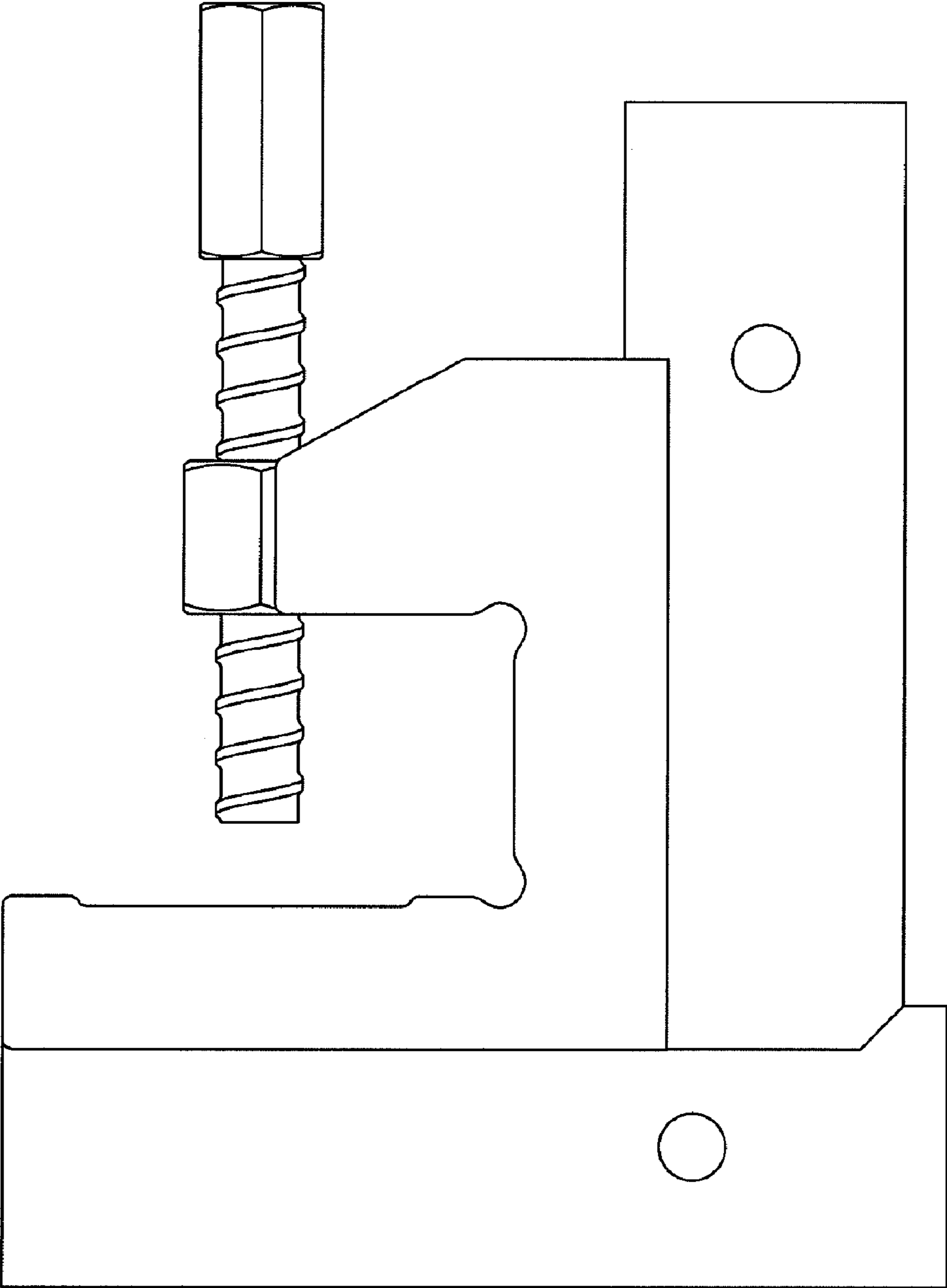


FIG.3

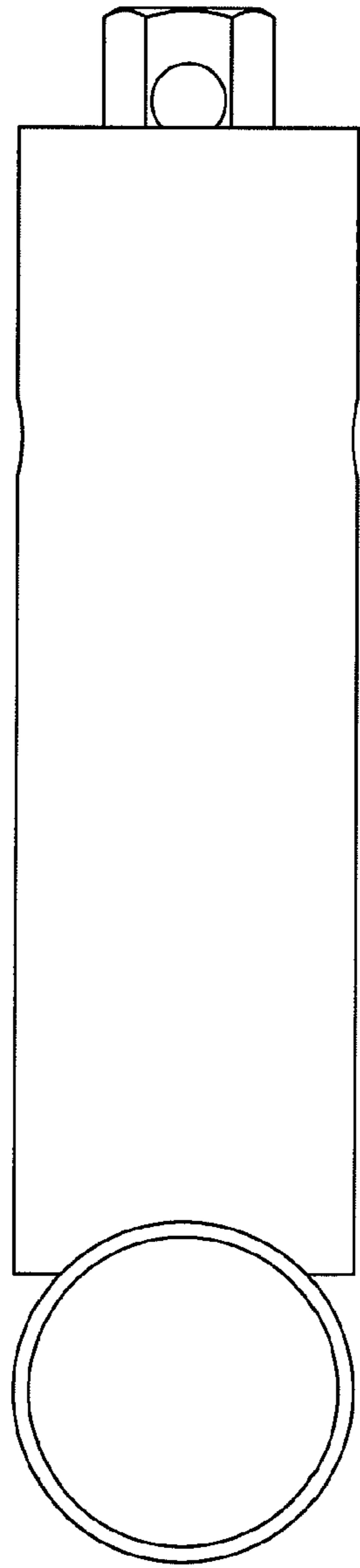


FIG. 4

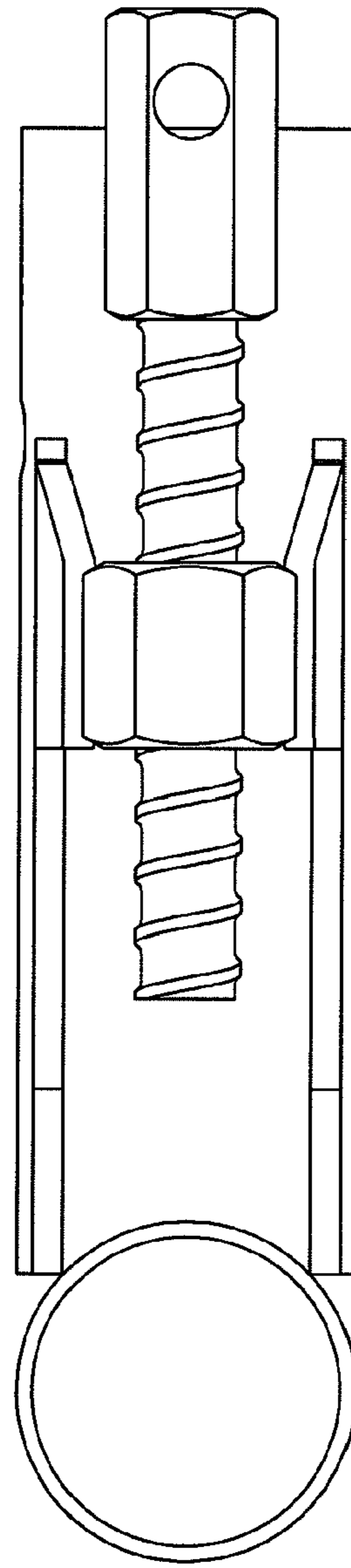


FIG. 7

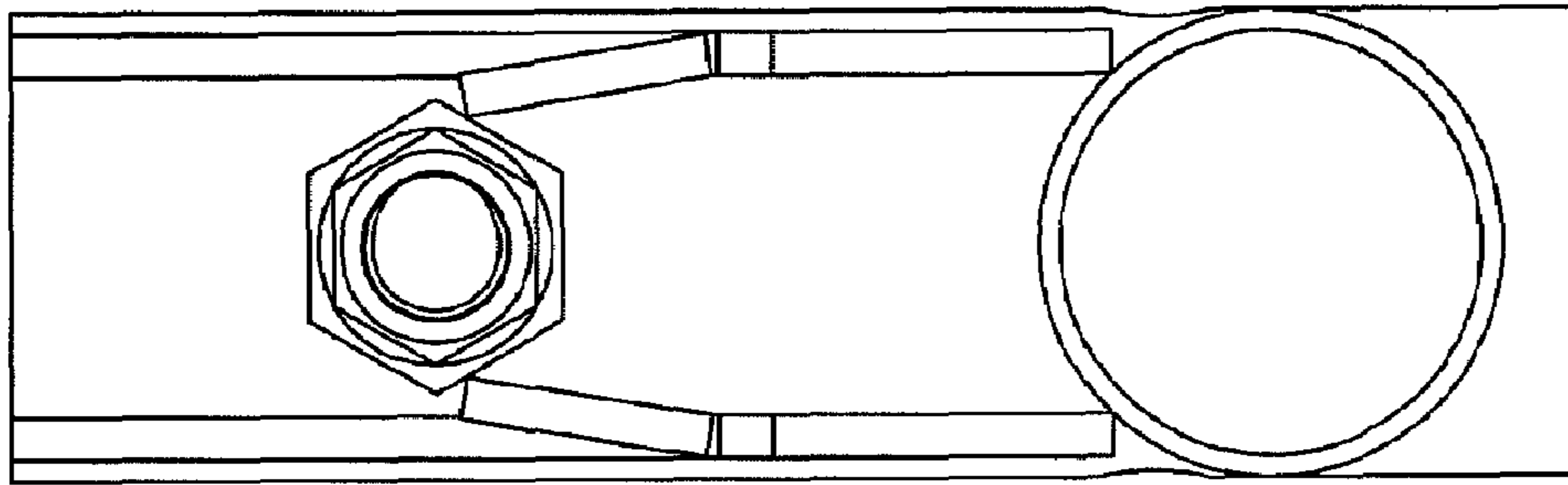


FIG.5

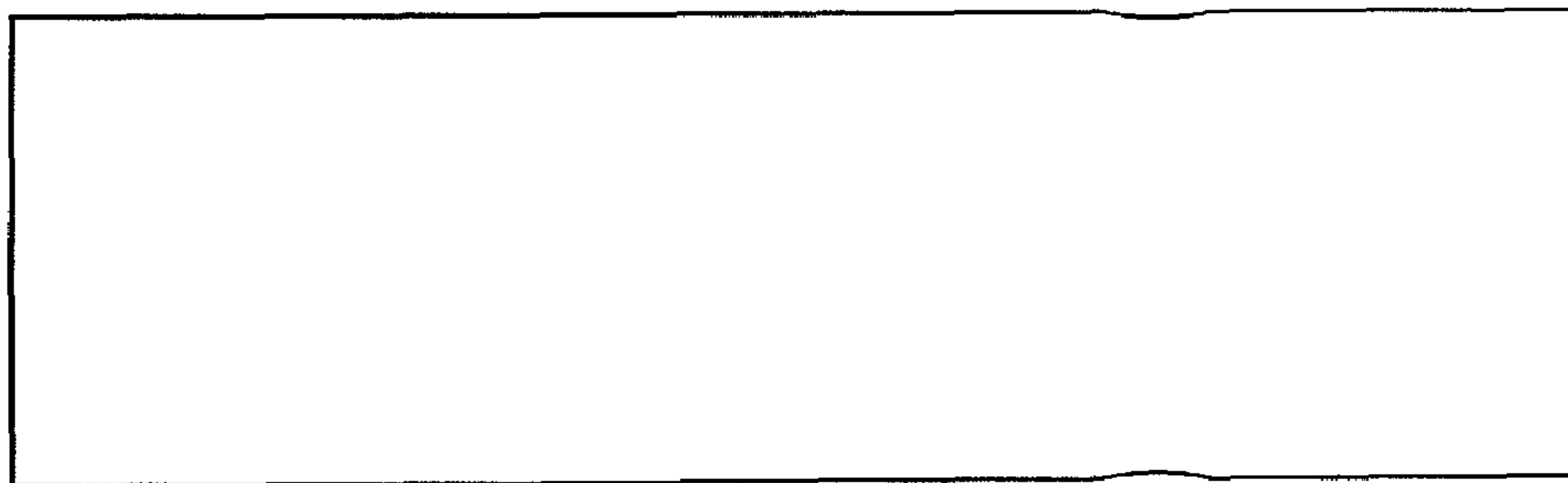


FIG.8

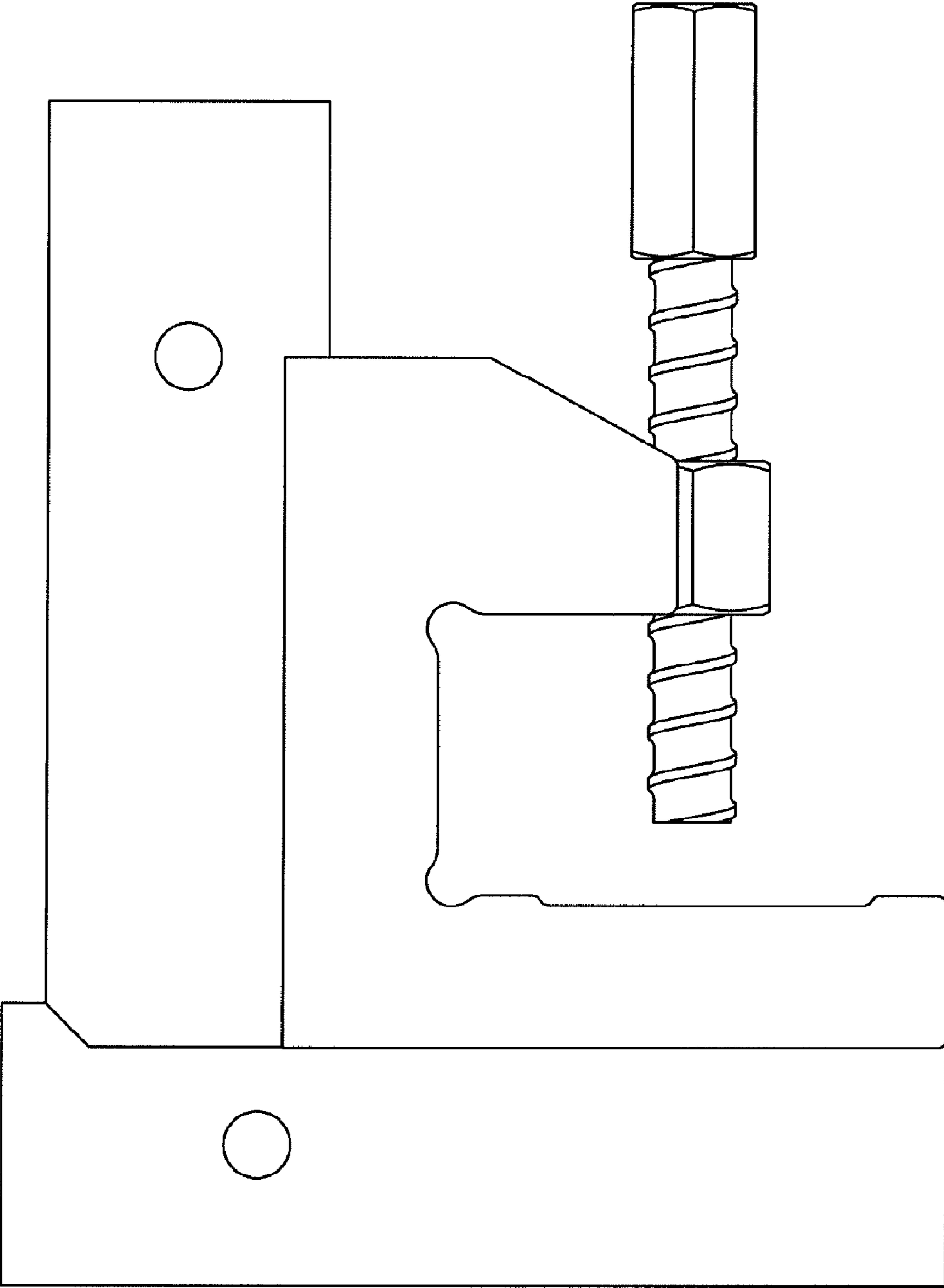


FIG.6

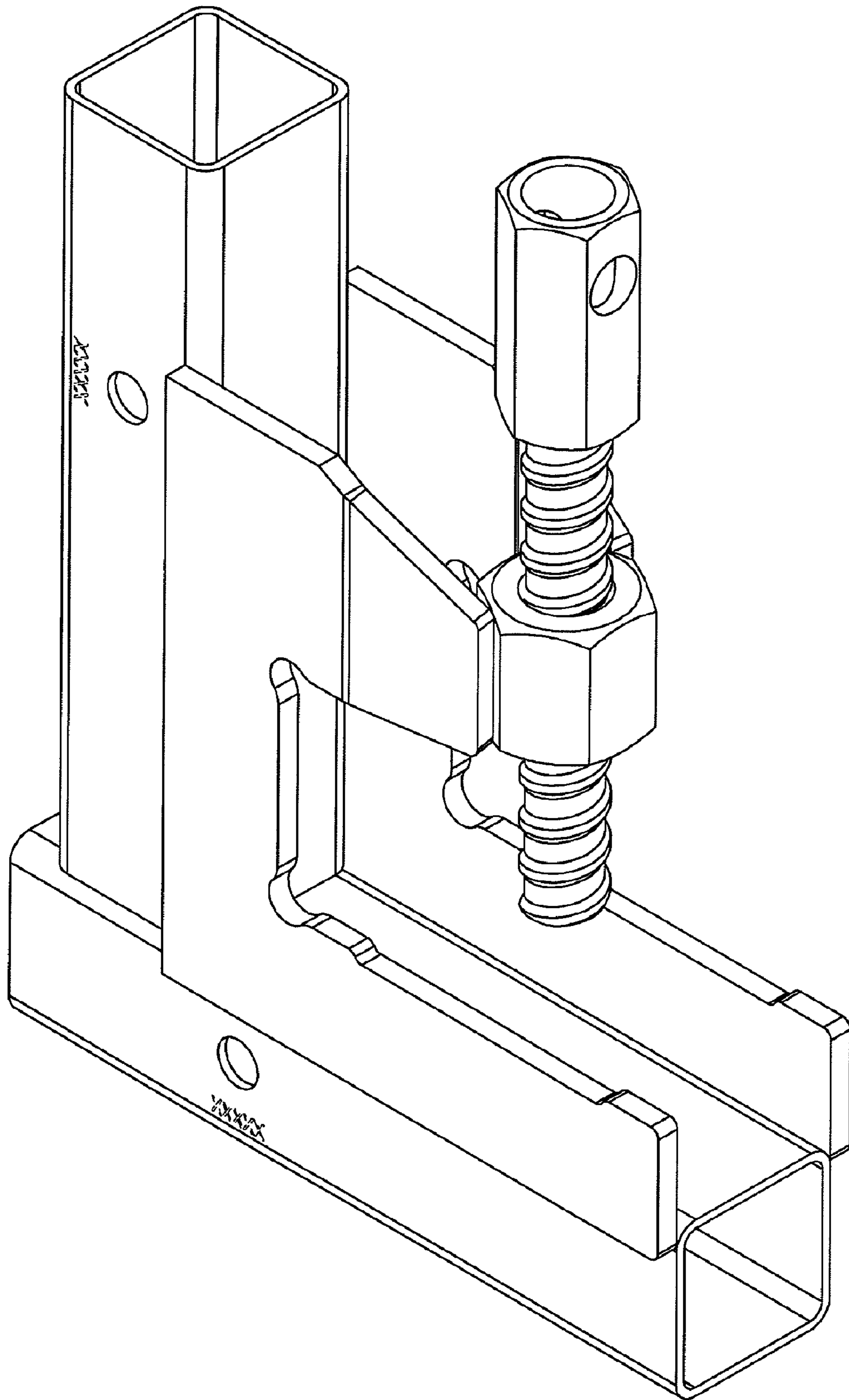


FIG. 9

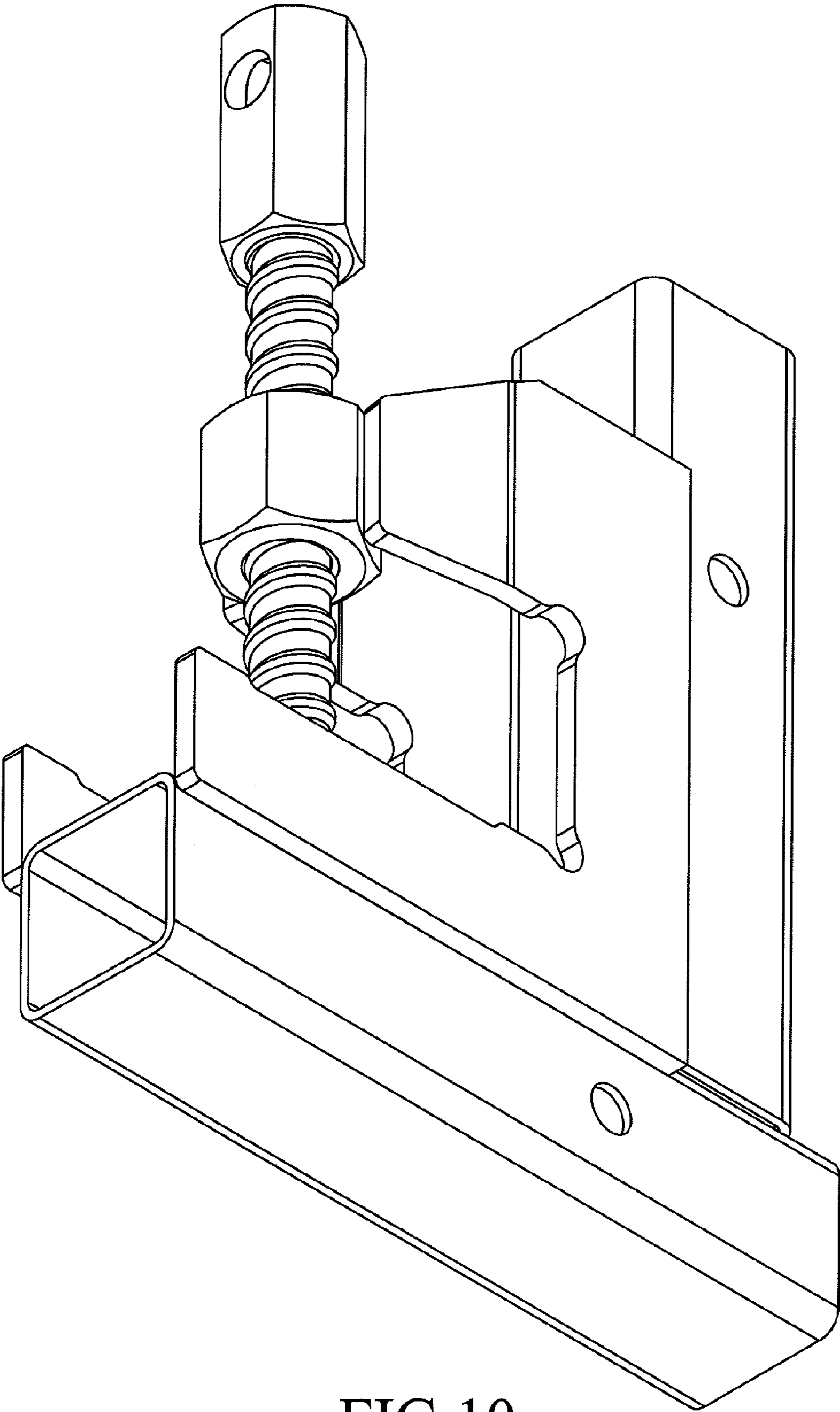


FIG. 10

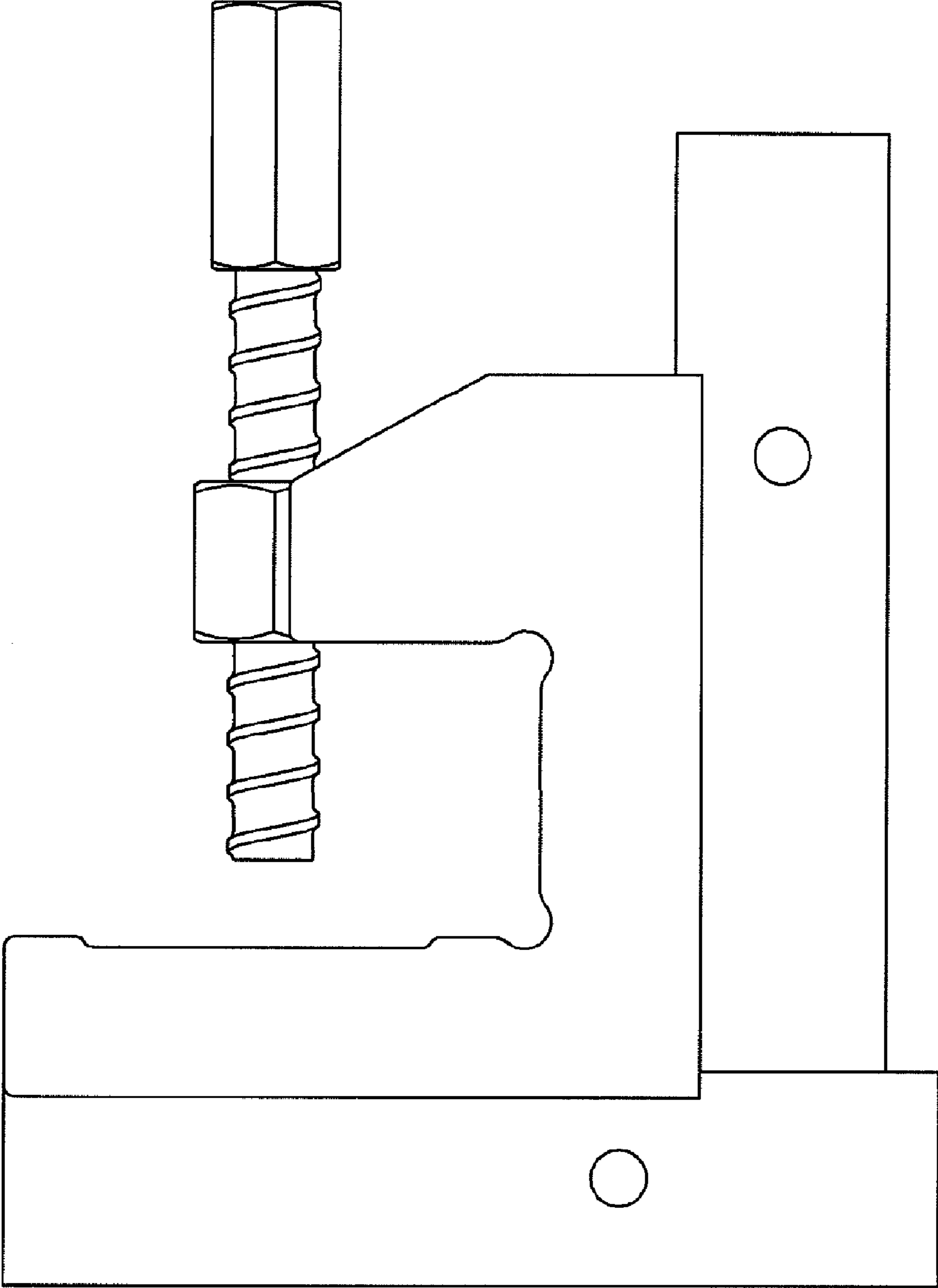


FIG. 11

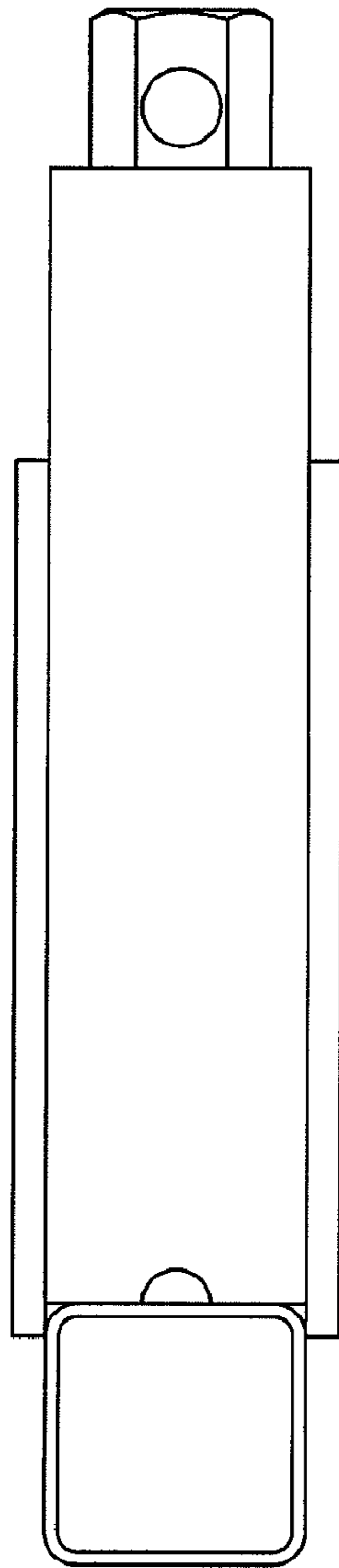


FIG. 12

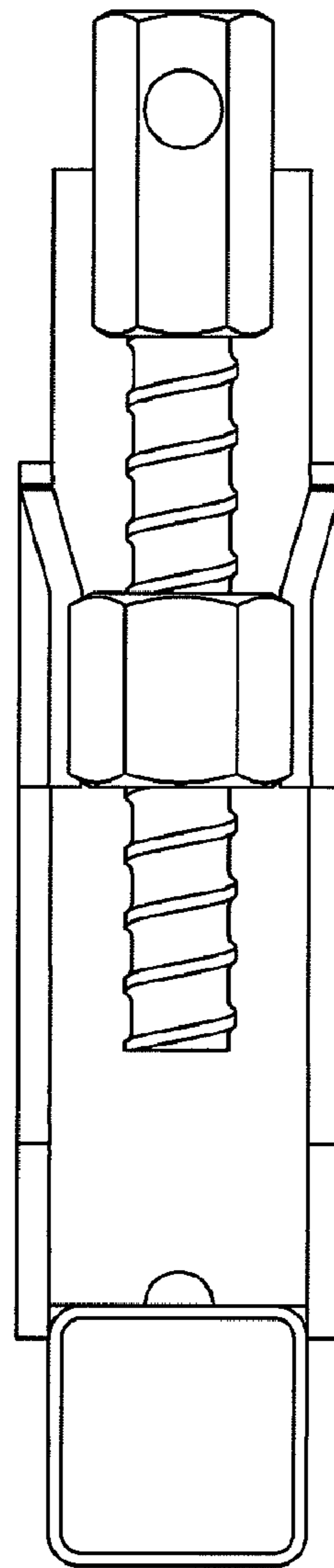


FIG. 15

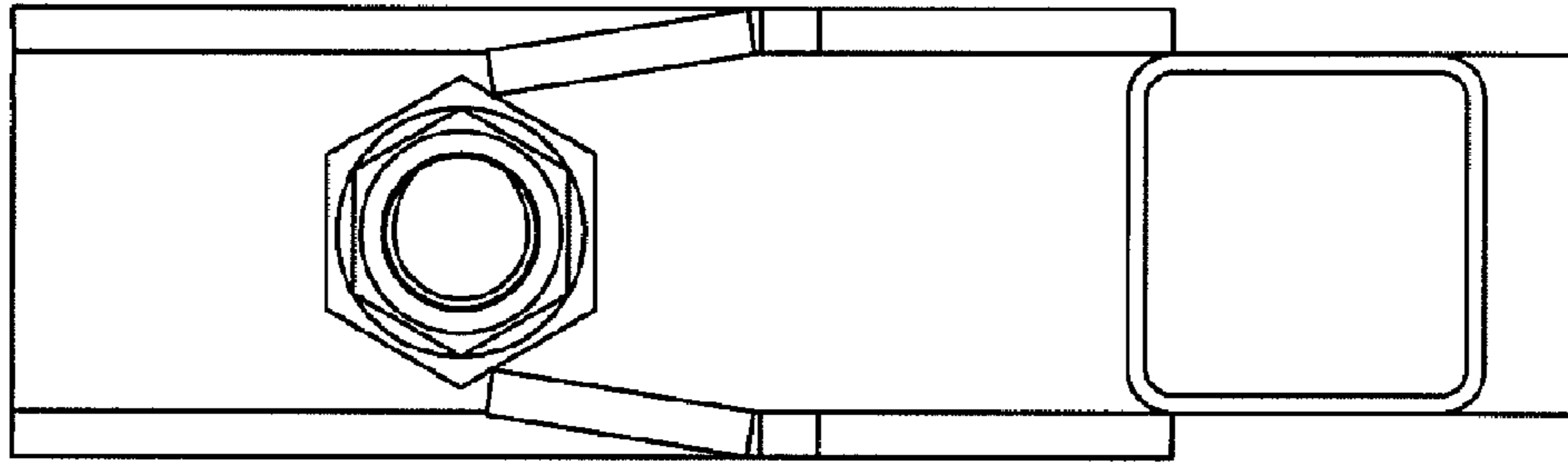


FIG. 13

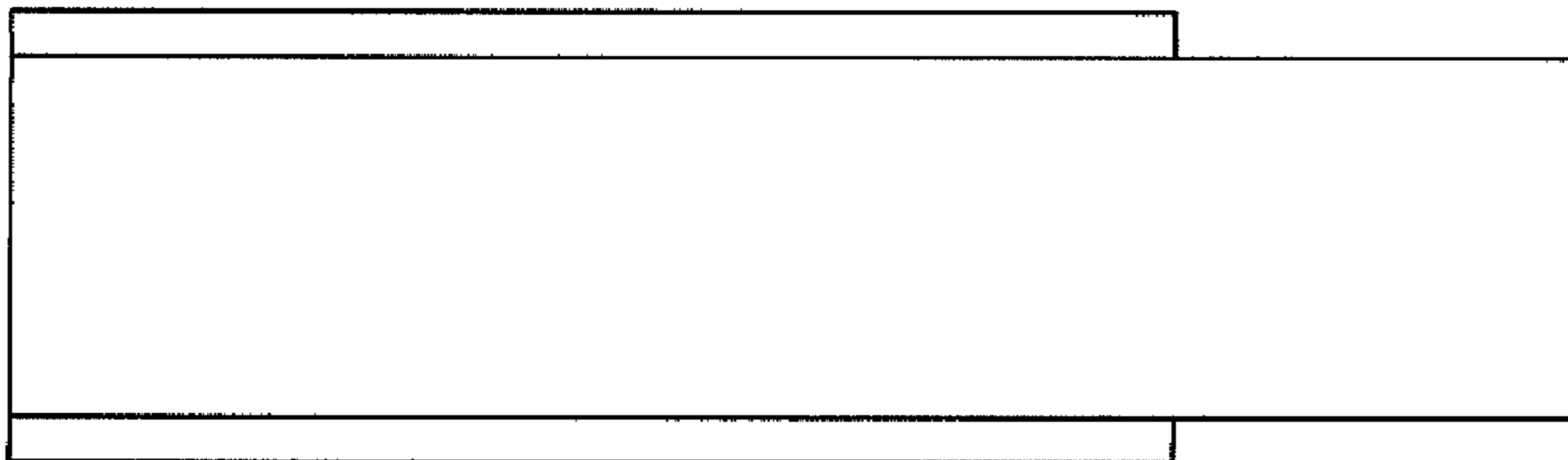


FIG. 16

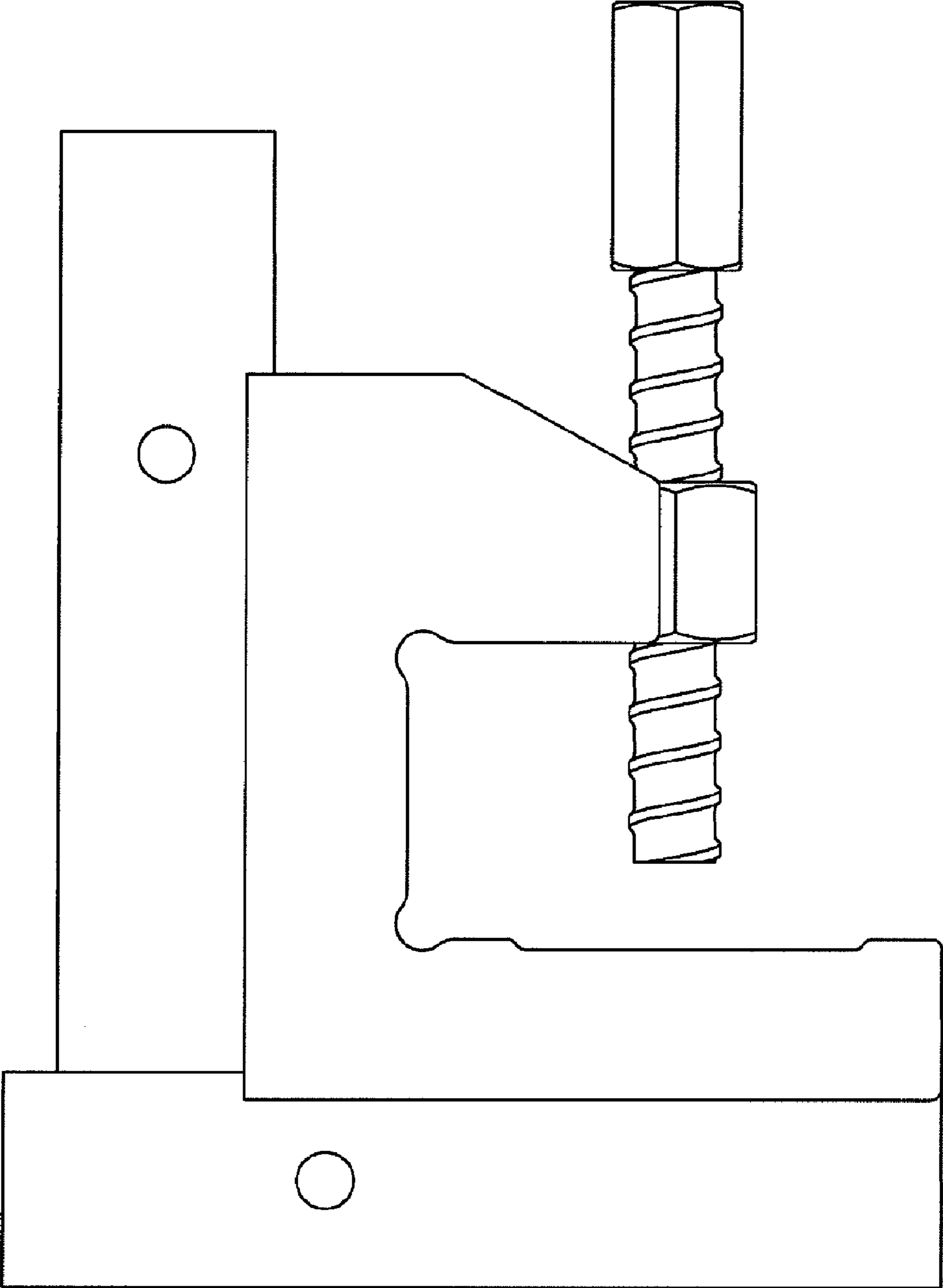


FIG.14