



US00D592928S

(12) **United States Design Patent**  
**Wright**

(10) **Patent No.:** **US D592,928 S**

(45) **Date of Patent:** **\*\* May 26, 2009**

(54) **CORDED DRILL**

(75) Inventor: **Stuart J. Wright**, Timonium, MD (US)

(73) Assignee: **Black & Decker Inc.**, Newark, DE (US)

(\*\*) Term: **14 Years**

(21) Appl. No.: **29/324,640**

(22) Filed: **Sep. 17, 2008**

(51) **LOC (9) Cl.** ..... **08-06**

(52) **U.S. Cl.** ..... **D8/68**

(58) **Field of Classification Search** ..... D8/14.1,  
D8/61-70; 81/57.11, 429, 454-456, 469-489;  
173/13, 104, 114, 168-171, 178, 201, 211,  
173/213, 217; 408/20, 124, 125, 234, 241 R;  
451/358; 310/50; 227/8, 113, 114, 120,  
227/130, 136, 142

See application file for complete search history.

(56) **References Cited**

**U.S. PATENT DOCUMENTS**

D359,215 S	6/1995	Zurwelle	
D436,511 S *	1/2001	Hayakawa et al.	D8/68
D466,777 S	12/2002	Watson	
D467,147 S	12/2002	Watson	
6,595,300 B2	7/2003	Milbourne	
D482,253 S	11/2003	Cooper et al.	
D497,786 S *	11/2004	Concari	D8/68
D500,653 S *	1/2005	Concari	D8/68
D501,384 S *	2/2005	Wright et al.	D8/68
D501,779 S	2/2005	Watson	
D525,848 S *	8/2006	Kokawa	D8/68
D527,971 S *	9/2006	Kokawa	D8/68

7,134,510 B2 *	11/2006	Justis et al.	173/217
D534,403 S *	1/2007	Concari	D8/68
D534,404 S *	1/2007	Concari	D8/68
D540,639 S	4/2007	Watson	
D543,081 S *	5/2007	Watson	D8/68
D551,047 S *	9/2007	Lopano	D8/68
D559,060 S *	1/2008	Lopano	D8/68
D559,061 S *	1/2008	Concari	D8/68
D559,062 S *	1/2008	Concari	D8/68
D567,268 S	4/2008	Mack	
2007/0193761 A1	8/2007	Brotto	
2008/0035361 A1 *	2/2008	Zhang	173/217
2009/0033159 A1 *	2/2009	West et al.	310/50

\* cited by examiner

*Primary Examiner*—Antoine D Davis

(74) *Attorney, Agent, or Firm*—Scott B. Markow

(57) **CLAIM**

The ornamental design for a corded drill, as shown and described.

**DESCRIPTION**

FIG. 1 is a right/front perspective view of a corded drill showing my new design.

FIG. 2 is a front view thereof.

FIG. 3 is a rear view thereof.

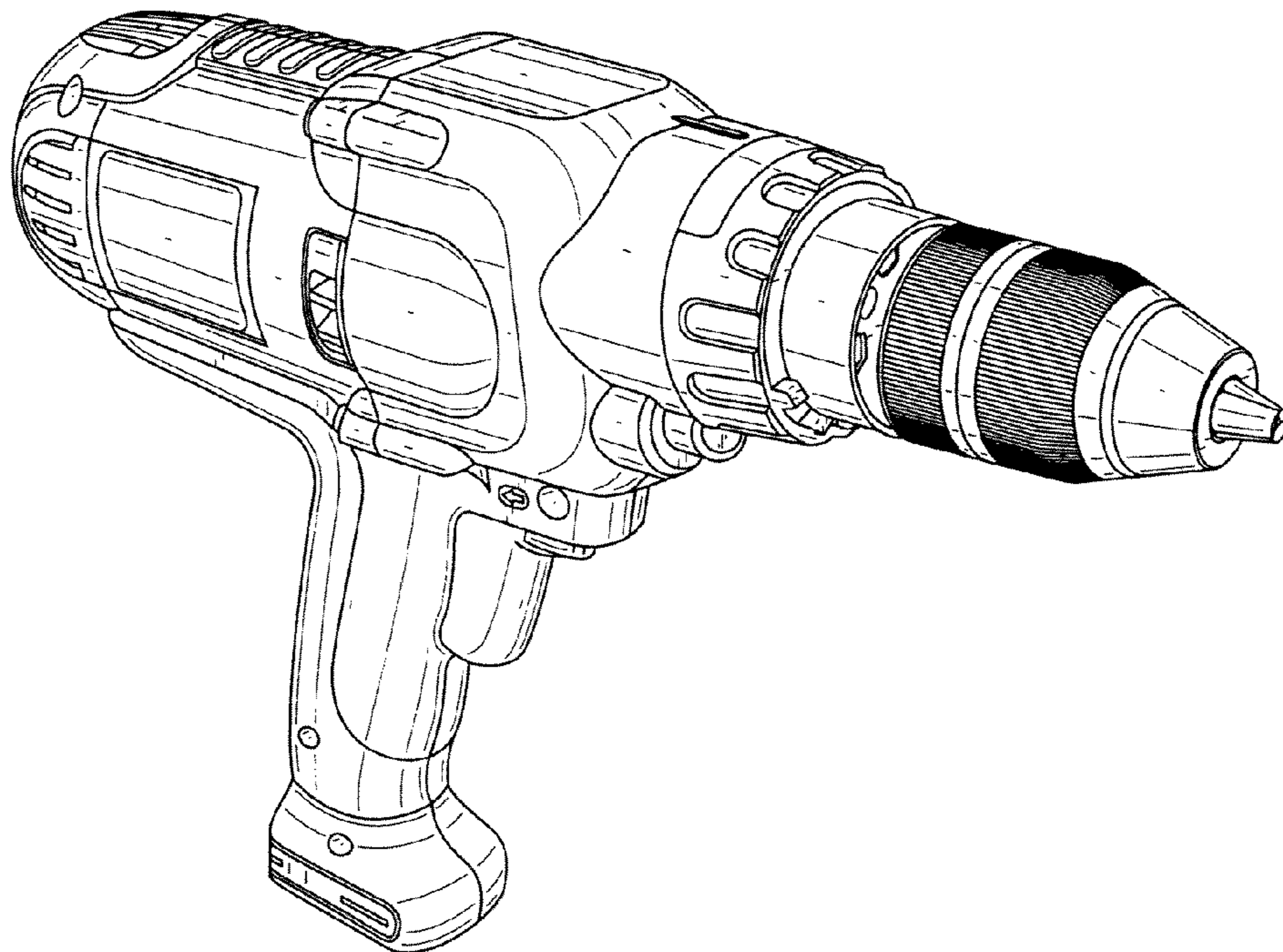
FIG. 4 is a right side view thereof.

FIG. 5 is a left side view thereof.

FIG. 6 is a top view thereof; and,

FIG. 7 is a bottom view thereof.

**1 Claim, 5 Drawing Sheets**



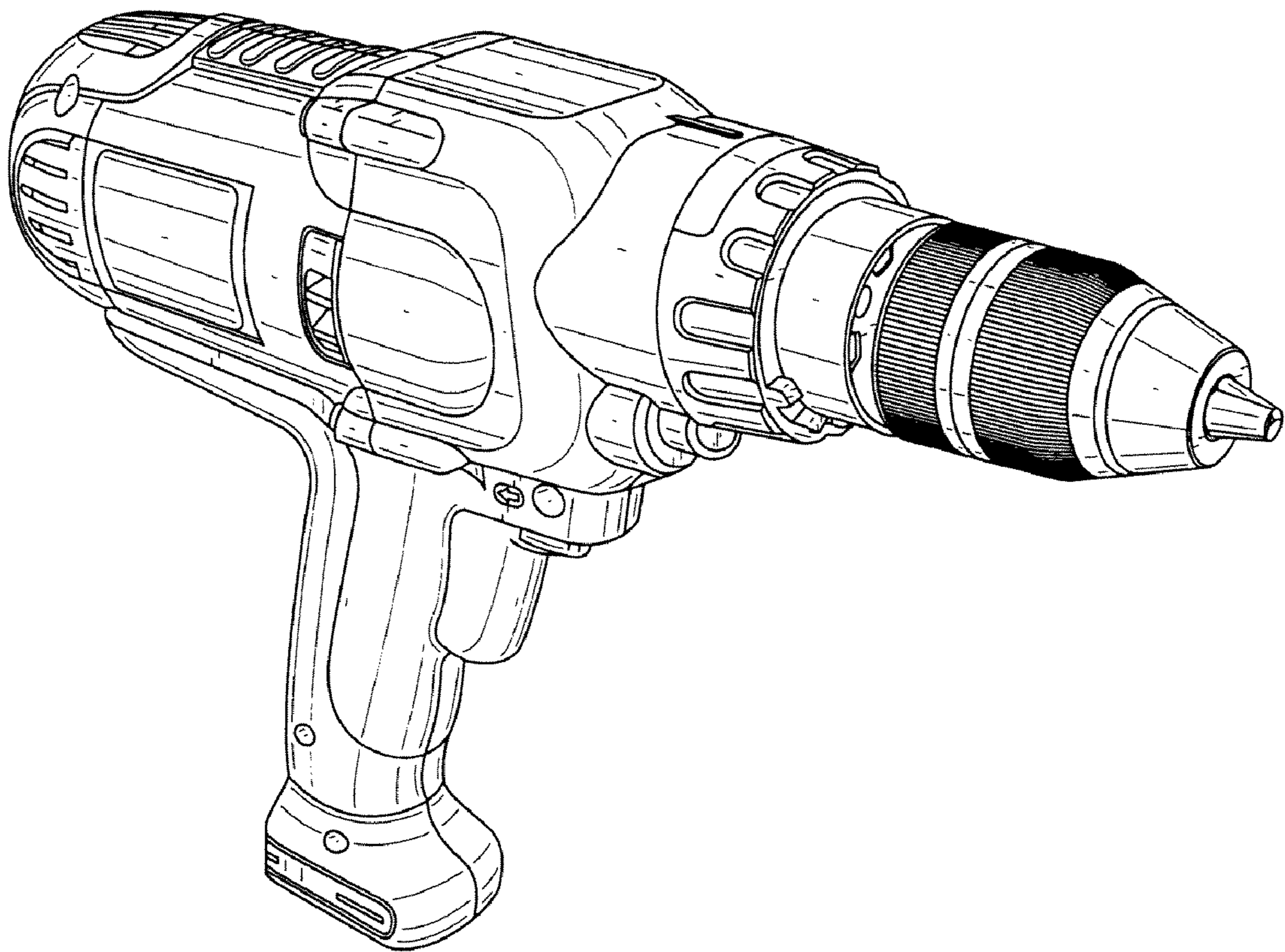


FIG. 1

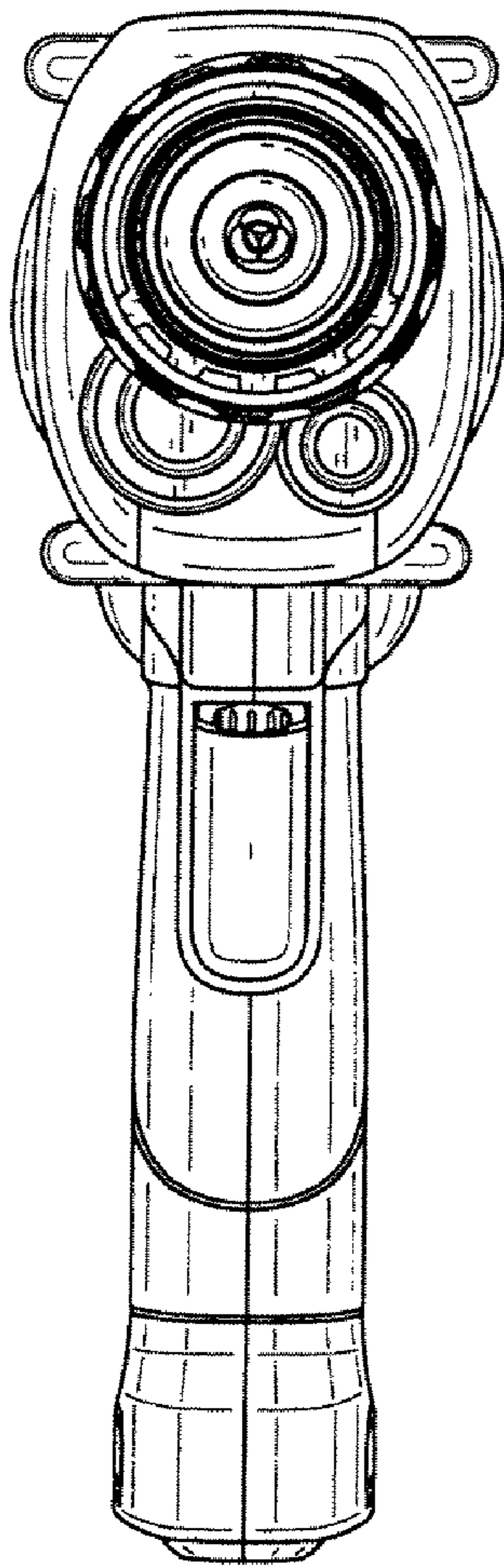


FIG. 2

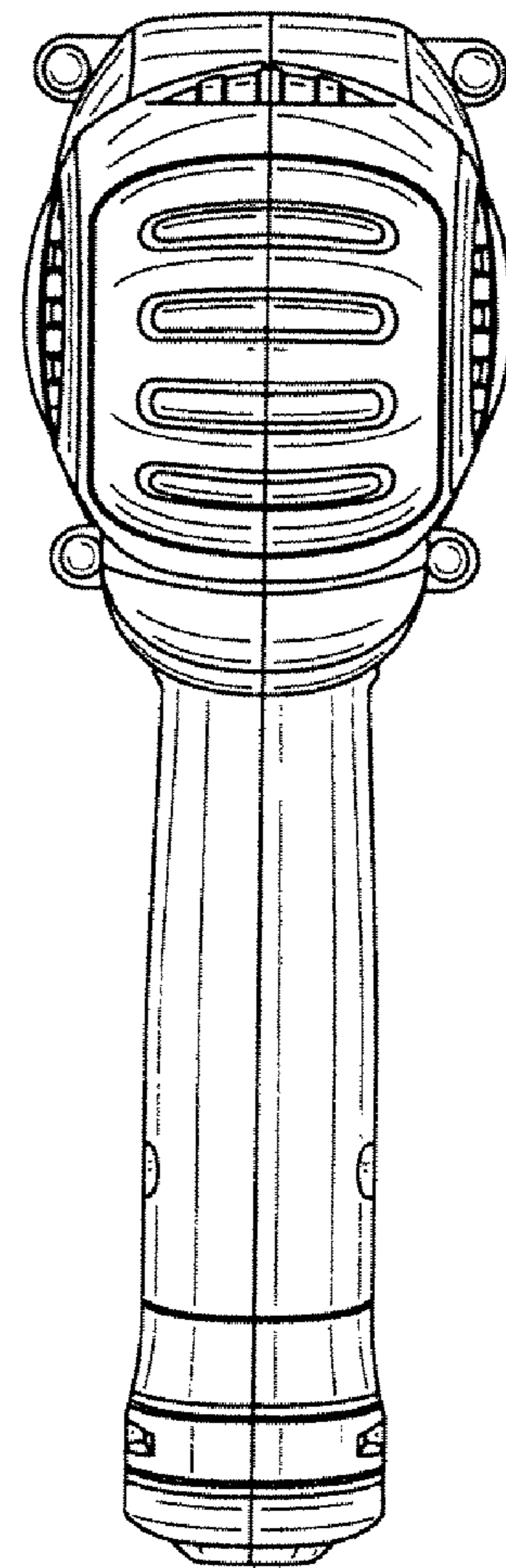


FIG. 3



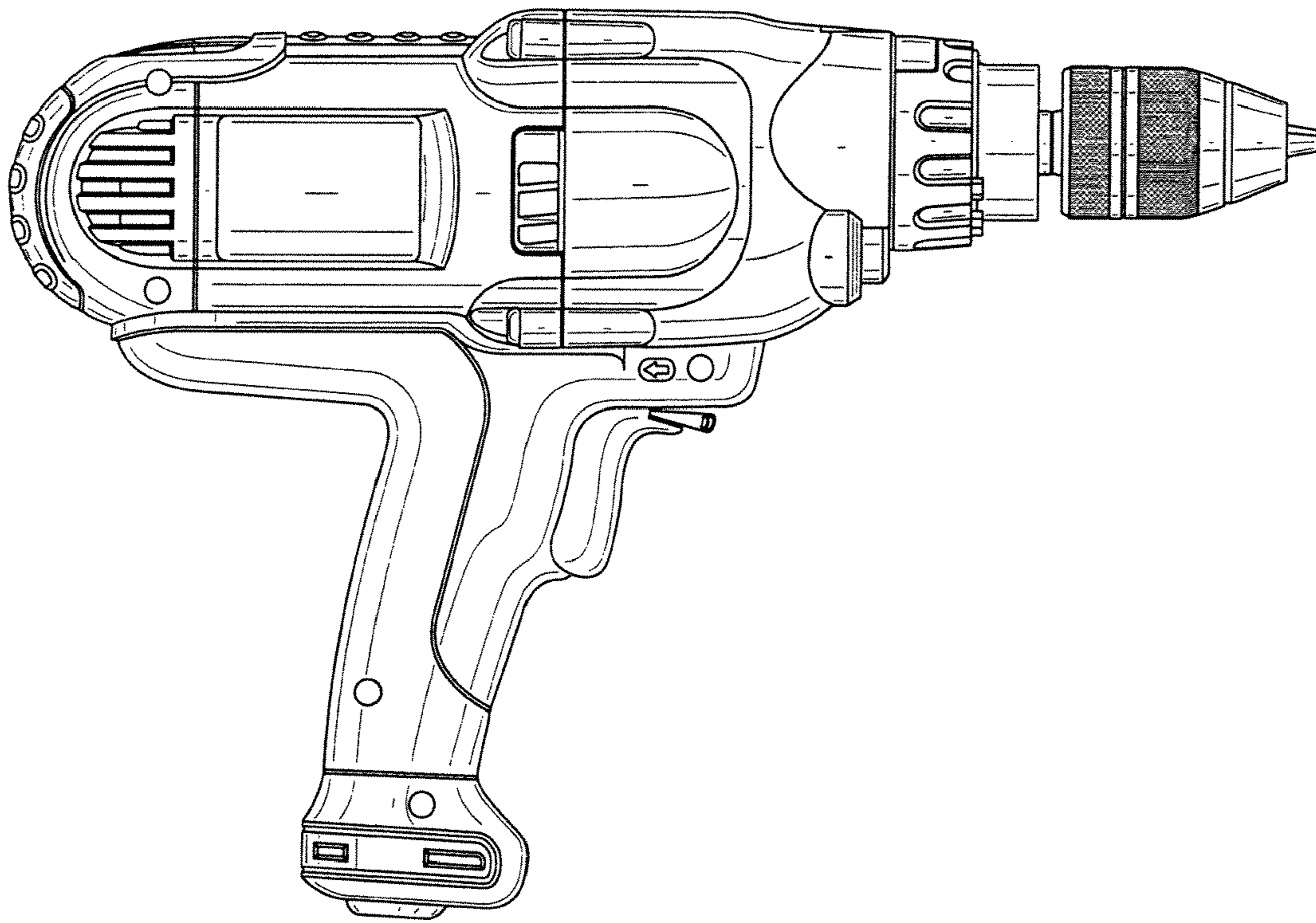


FIG. 4

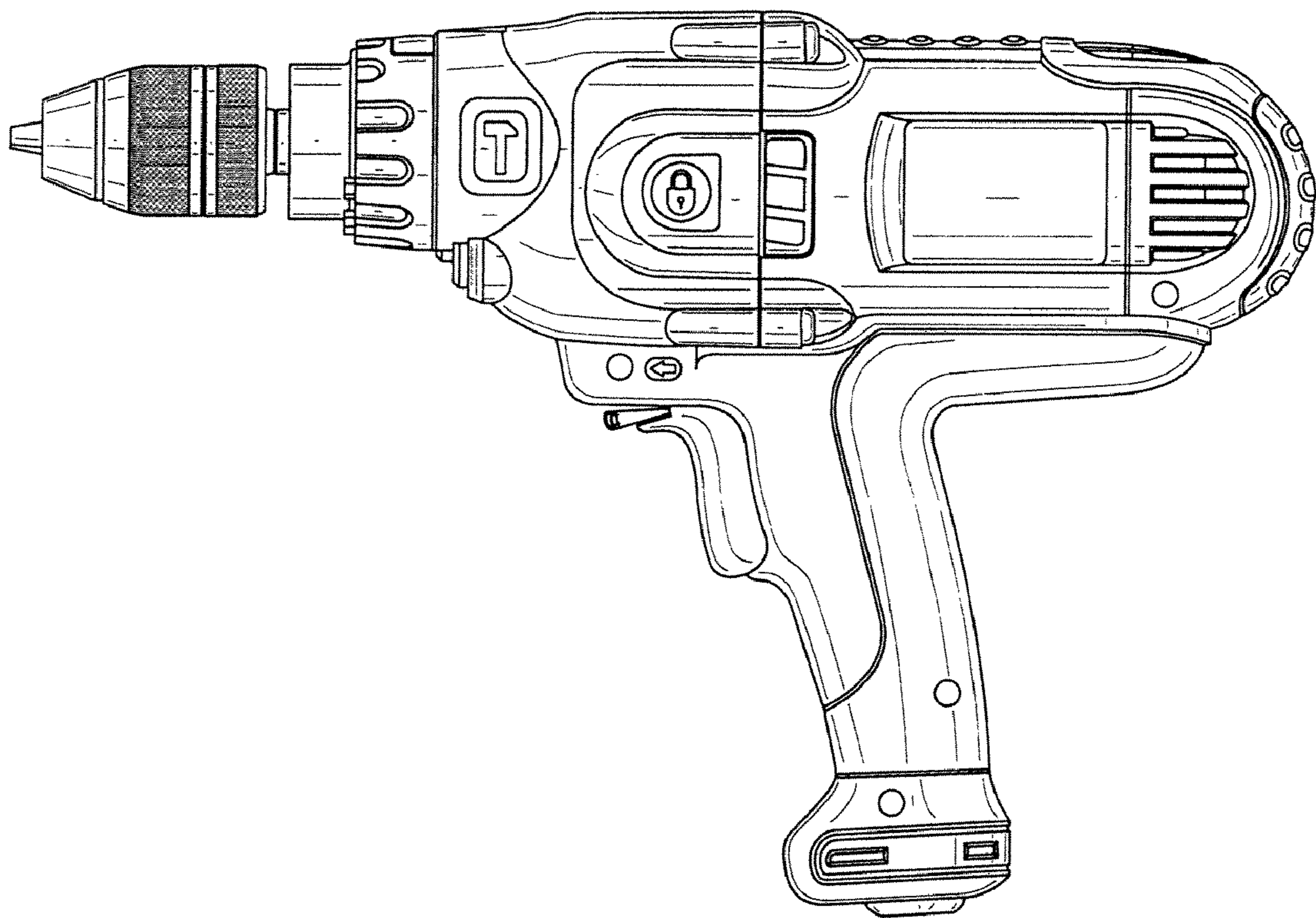


FIG. 5

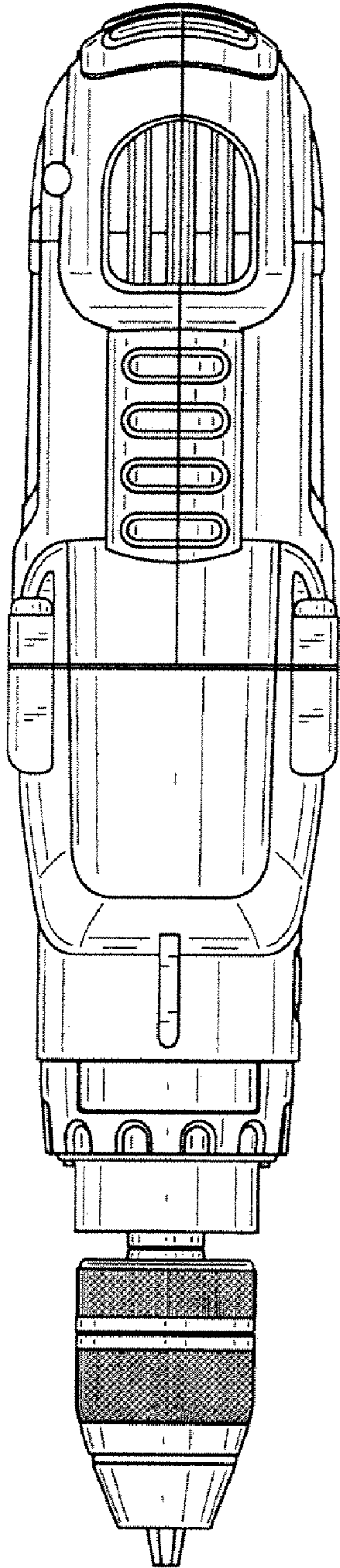


FIG. 6

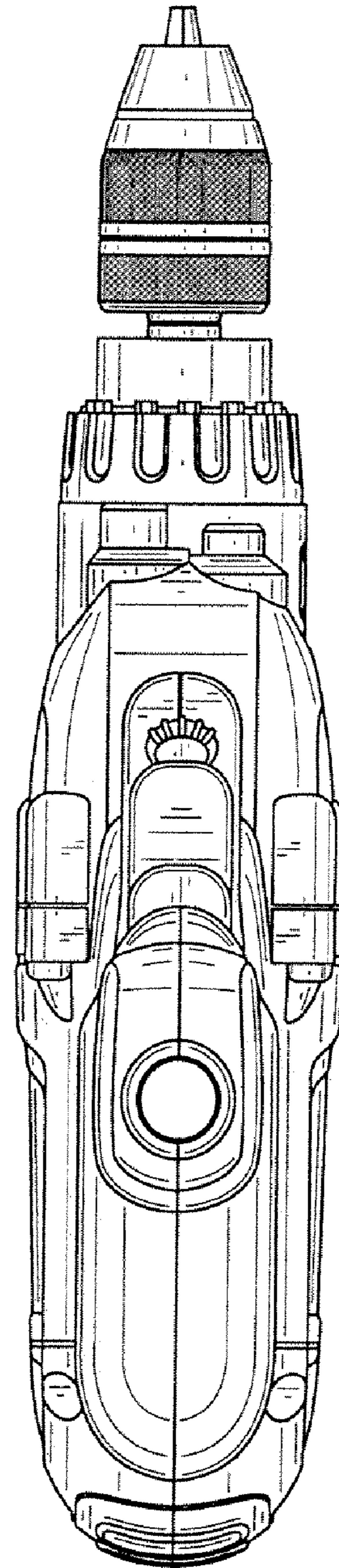


FIG. 7