

US00D592927S

(12) **United States Design Patent**
Wright

(10) **Patent No.:** **US D592,927 S**

(45) **Date of Patent:** **** *May 26, 2009**

(54) **DRILL**

(75) Inventor: **Stuart J. Wright**, Timonium, MD (US)

(73) Assignee: **Black & Decker Inc.**, Newark, DE (US)

(*) Notice: This patent is subject to a terminal disclaimer.

(**) Term: **14 Years**

(21) Appl. No.: **29/280,643**

(22) Filed: **Jun. 4, 2007**

Related U.S. Application Data

(63) Continuation-in-part of application No. 29/248,953, filed on Sep. 12, 2006, now abandoned.

(51) **LOC (9) Cl.** **08-05**

(52) **U.S. Cl.** **D8/68**

(58) **Field of Classification Search** D8/14.1,
D8/61, 62, 63, 64, 65, 66, 67, 68, 69, 70;
81/57.11, 429, 454, 455, 456, 469, 489; 173/13,
173/104, 114, 168, 169, 170, 171, 178, 201,
173/211, 213, 217; 408/20, 124, 125, 234,
408/241 R; 451/358; 310/50; 227/8, 113,
227/114, 120, 130, 136, 142

See application file for complete search history.

(56) **References Cited**

U.S. PATENT DOCUMENTS

D304,287 S *	10/1989	Zurwelle	D8/68
D344,000 S *	2/1994	Shibata et al.	D8/68
D353,526 S *	12/1994	Hoshino	D8/68
5,372,206 A *	12/1994	Sasaki et al.	173/178
D406,740 S *	3/1999	Zurwelle	D8/68

D420,879 S *	2/2000	Watson et al.	D8/70
6,240,816 B1 *	6/2001	Riedl et al.	81/429
D466,386 S *	12/2002	Zurwelle	D8/68
D470,378 S *	2/2003	Chunn et al.	D8/68
D470,737 S *	2/2003	Chunn et al.	D8/68
D474,953 S *	5/2003	Santarsiero et al.	D8/68
D477,974 S *	8/2003	Chunn et al.	D8/68
D486,049 S *	2/2004	Sugiura et al.	D8/68
D490,677 S *	6/2004	Chung et al.	D8/68
D507,952 S *	8/2005	Wu	D8/68
D531,874 S *	11/2006	Wu	D8/68
D566,506 S *	4/2008	Aglassinger	D8/68
2003/0070822 A1 *	4/2003	Kanzaki et al.	173/217

* cited by examiner

Primary Examiner—T. Chase Nelson

Assistant Examiner—Karen Acker

(74) *Attorney, Agent, or Firm*—Scott B. Markow

(57) **CLAIM**

The ornamental design for a drill, as shown and described.

DESCRIPTION

FIG. 1 is a left/front perspective view of a drill showing my new design.

FIG. 2 is a right side view thereof.

FIG. 3 is a left side view thereof.

FIG. 4 is a top view thereof.

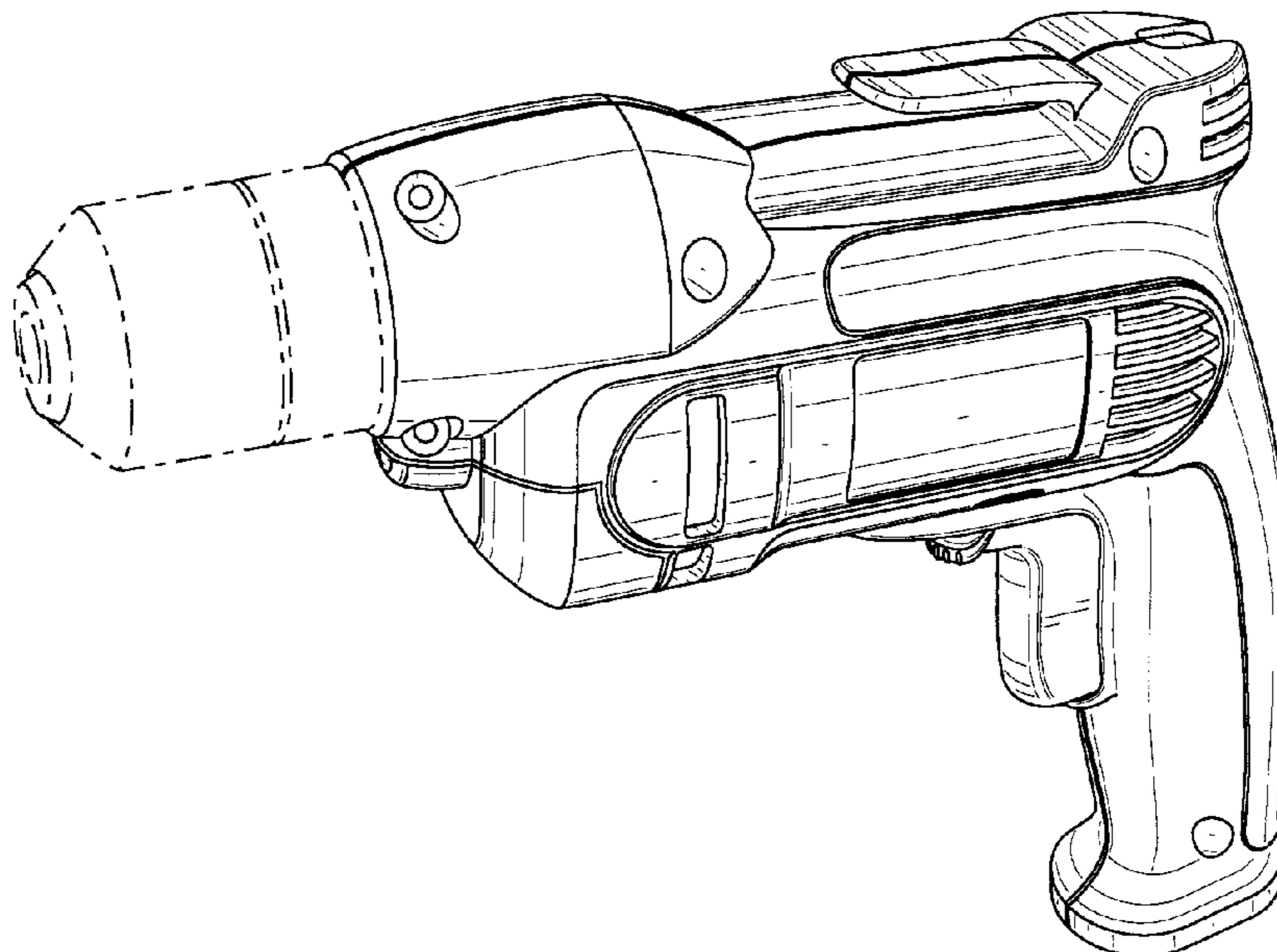
FIG. 5 is a bottom view thereof.

FIG. 6 is a front view thereof; and,

FIG. 7 is a rear view thereof.

The broken lines depict portions of the design which form no part of the claimed design.

1 Claim, 5 Drawing Sheets



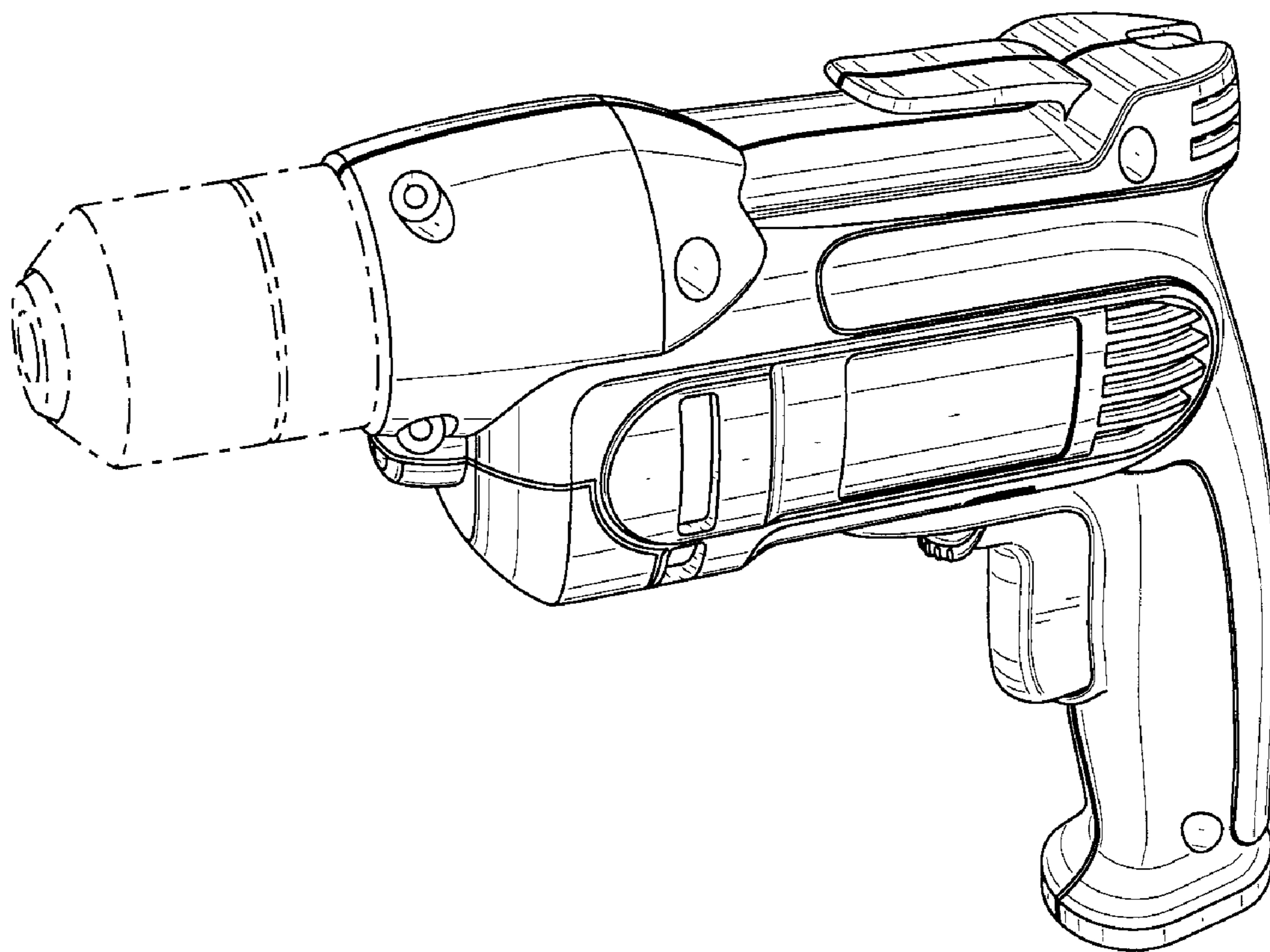


FIG. 1

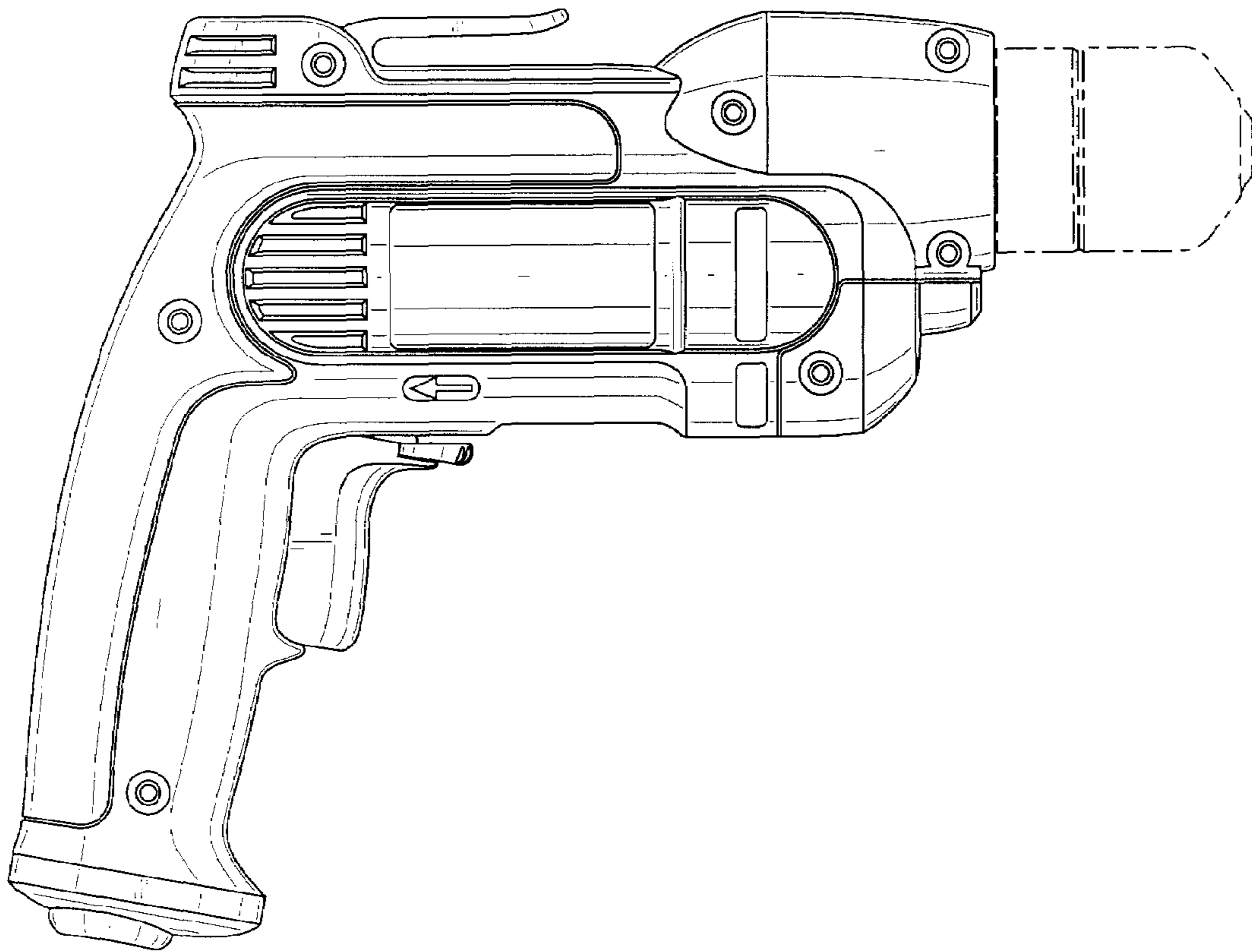


FIG. 2

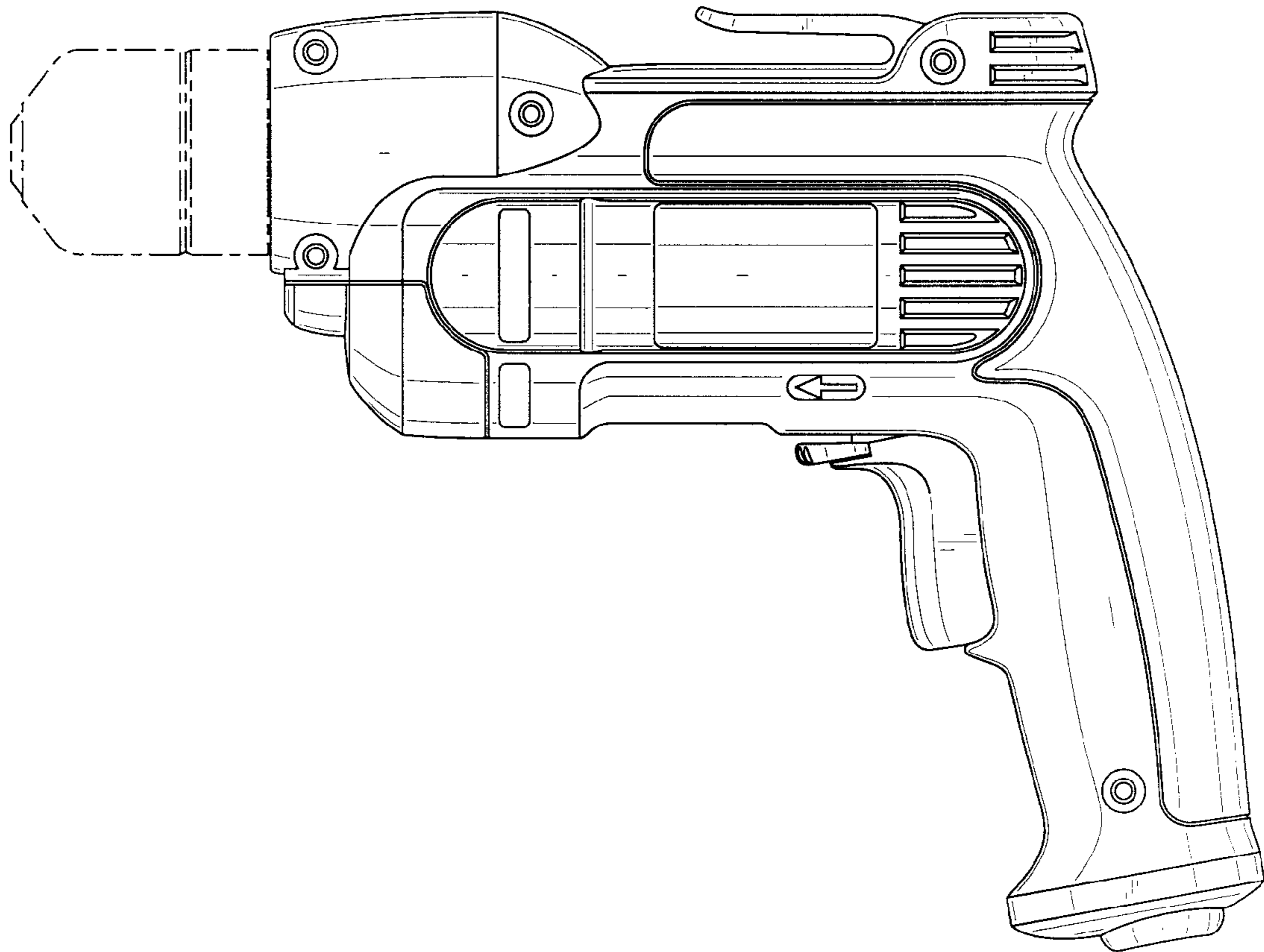


FIG. 3

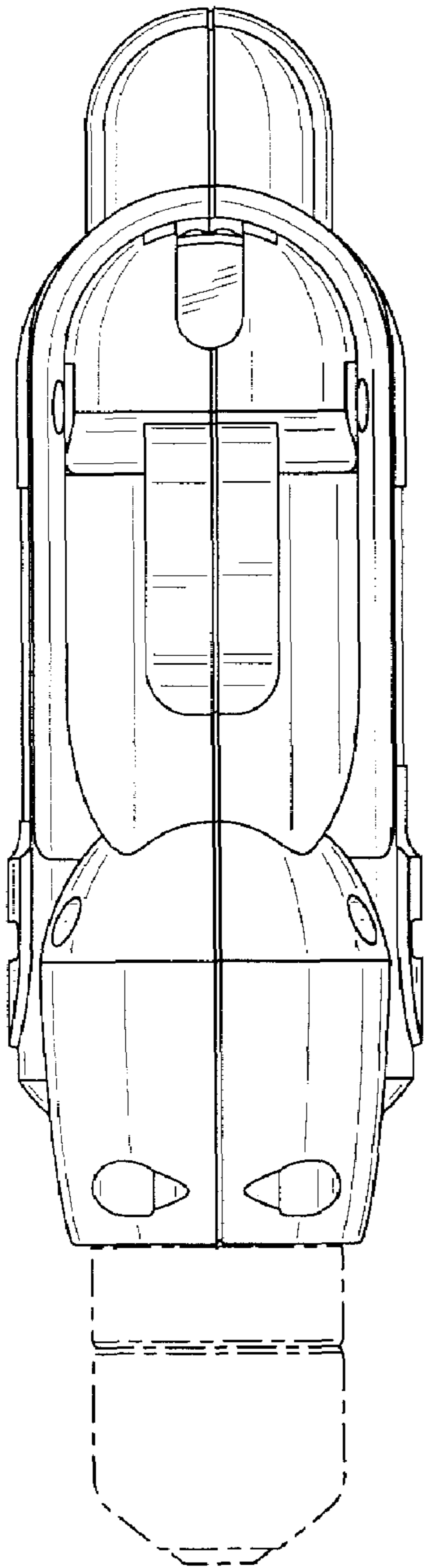


FIG. 4

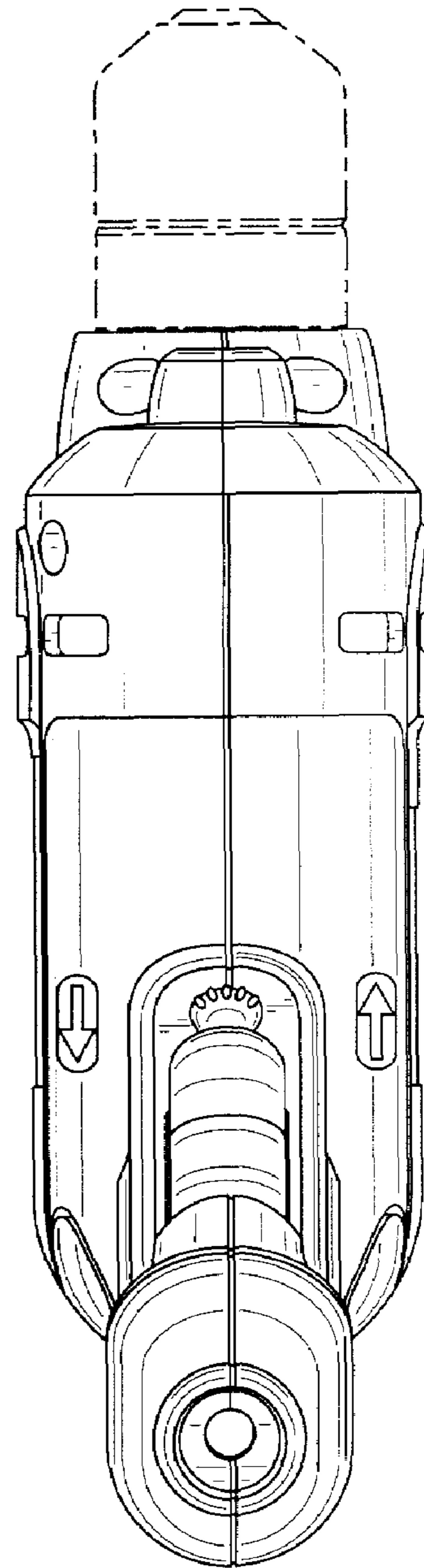


FIG. 5

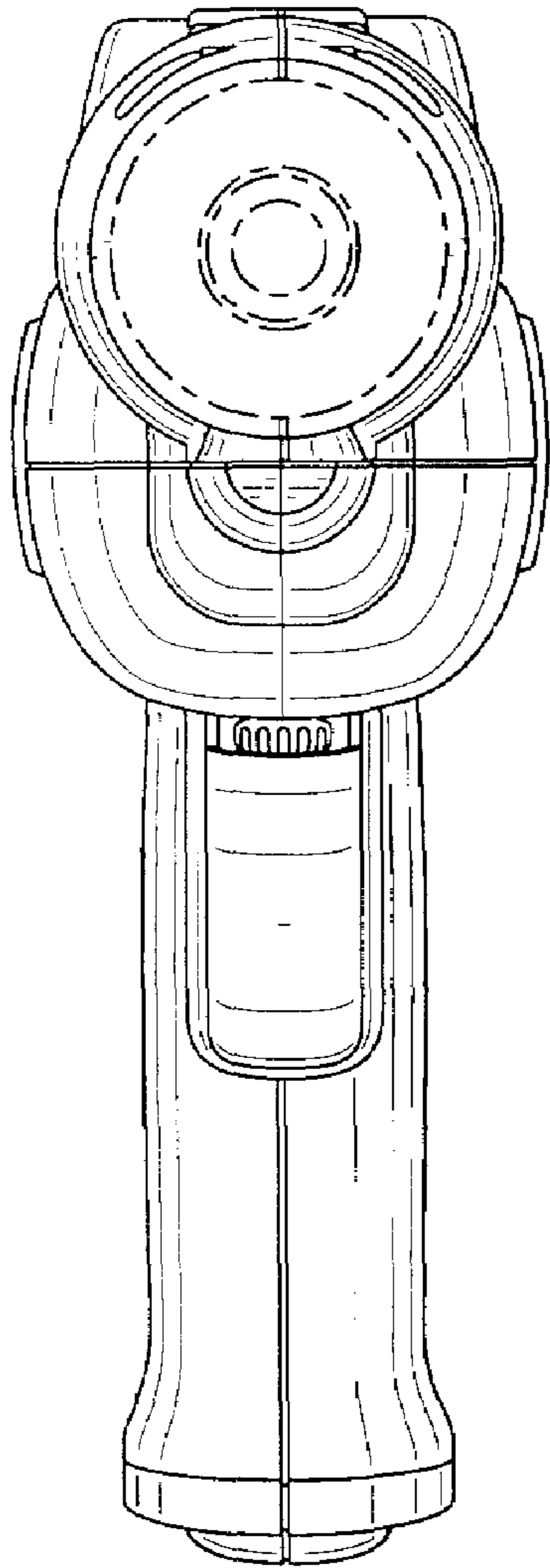


FIG. 6

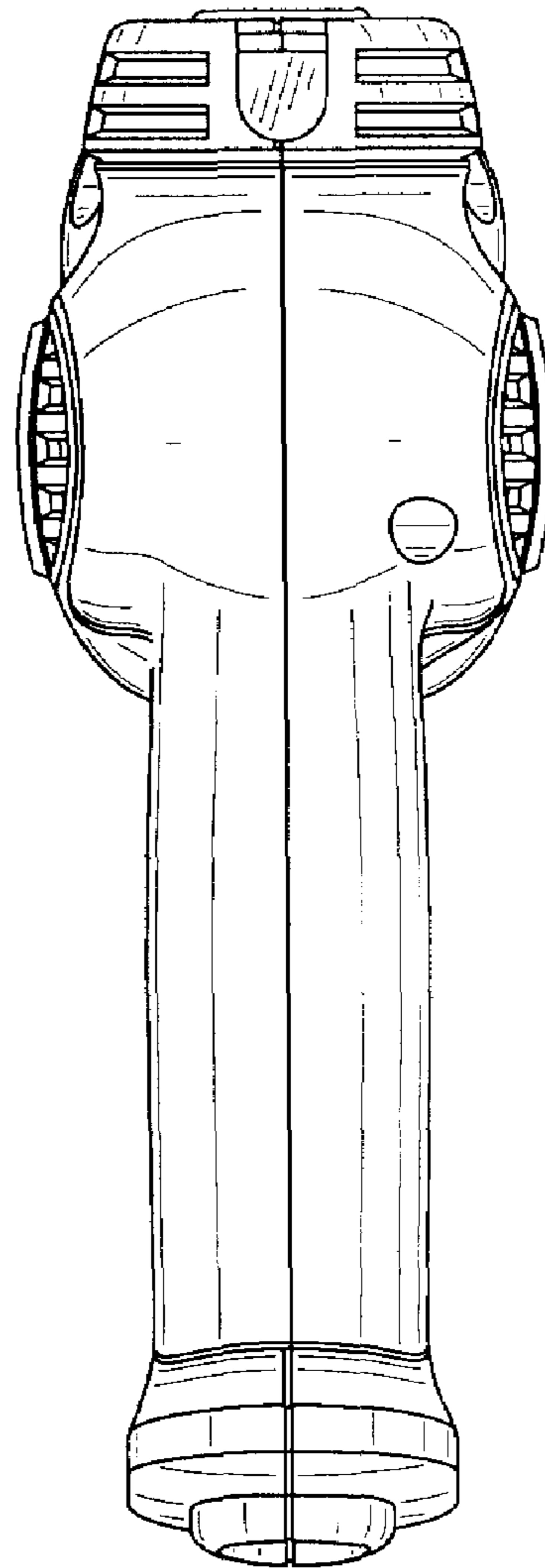


FIG. 7