

US00D592921S

(12) **United States Design Patent**  
**Ethington**

(10) **Patent No.:** **US D592,921 S**

(45) **Date of Patent:** **\*\* May 26, 2009**

(54) **STRUT CONNECTOR FOR A RAKE**

(76) Inventor: **Lyle K. Ethington**, 5878 Gibson Pl.,  
Granite Bay, CA (US) 95746

(\*\*) Term: **14 Years**

(21) Appl. No.: **29/293,641**

(22) Filed: **Dec. 3, 2007**

(51) **LOC (9) Cl.** ..... **08-01**

(52) **U.S. Cl.** ..... **D8/13**

(58) **Field of Classification Search** ..... D8/10,  
D8/14, 370, 13; 294/53.5, 54.5, 55.5, 57  
See application file for complete search history.

(56) **References Cited**

U.S. PATENT DOCUMENTS

2,942,404	A *	6/1960	Grangie	57/58.3
3,264,809	A *	8/1966	Jackson	56/400.12
3,328,066	A *	6/1967	Johnston	294/19.1
3,601,966	A *	8/1971	Kerry	56/400.12
4,143,899	A *	3/1979	Wetherall et al.	294/50.9
D345,492	S *	3/1994	Mele	D8/10
5,465,510	A *	11/1995	Goodnough et al.	37/285
D373,292	S *	9/1996	Motley	D8/10
D384,558	S *	10/1997	Mele	D8/10
D405,664	S *	2/1999	Stryd	D8/10
6,151,878	A *	11/2000	Kalavitis	56/400.12
6,357,809	B1 *	3/2002	Gregoire, Sr.	294/19.1
D461,106	S *	8/2002	Stryd et al.	D8/10
D474,948	S *	5/2003	Crites	D8/13
D543,806	S *	6/2007	Ethington	D8/10
7,380,848	B2 *	6/2008	Petruzelli	294/54.5

\* cited by examiner

*Primary Examiner*—Holly H Baynham

*Assistant Examiner*—Sheryl Lane

(74) *Attorney, Agent, or Firm*—Audrey A. Millemann;  
Weintraub Genshlea et al.

(57) **CLAIM**

The ornamental design for a strut connector for a rake, as shown and described.

**DESCRIPTION**

FIG. 1 is a perspective view of a strut connector for a rake, showing my new design in full lines.

FIG. 2 is an enlarged perspective view of the strut connector for a rake shown in FIG. 1.

FIG. 3 is an enlarged front view thereof;

FIG. 4 is an enlarged left side view thereof, the opposite side being a mirror image.

FIG. 5 is an enlarged back view thereof.

FIG. 6 is an enlarged top view thereof.

FIG. 7 is an enlarged back view thereof;

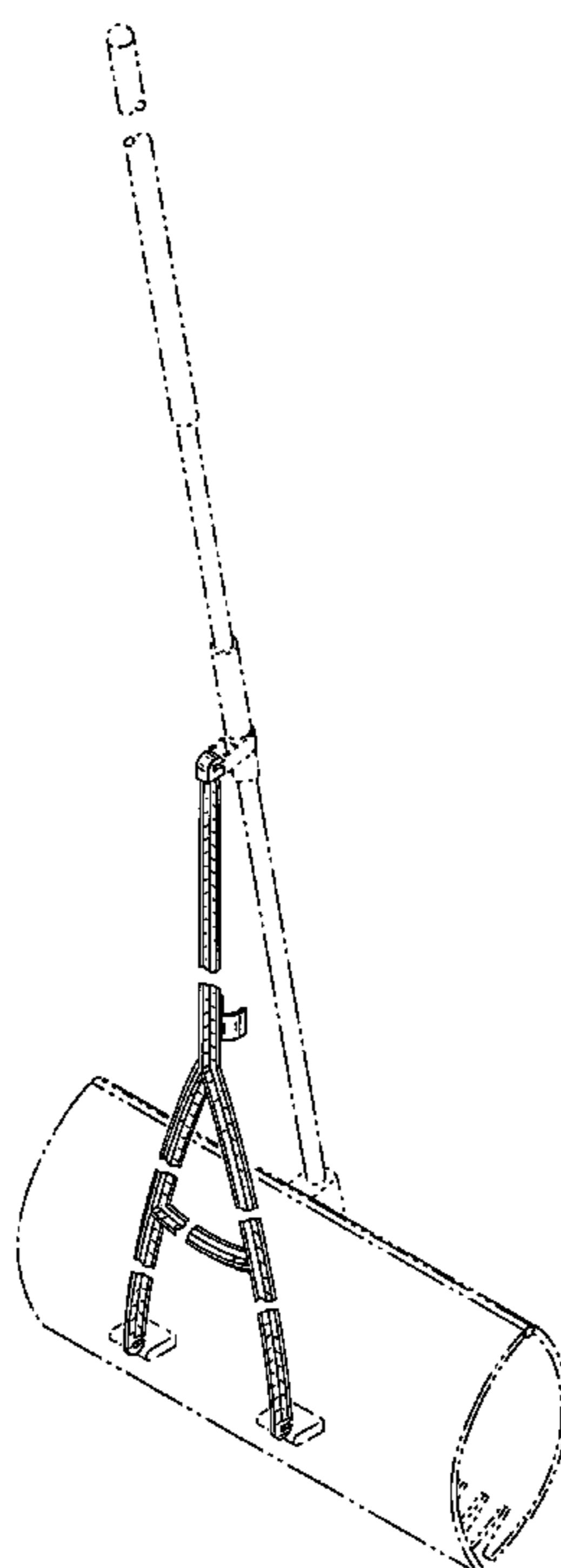
FIG. 8 is a front view of an alternate embodiment of the strut connector for a rake shown in FIG. 2.

FIG. 9 is a side view of the strut connector for a rake shown in FIG. 8; and,

FIG. 10 is a back view of the strut connector for a rake shown in FIG. 8.

The handle is shown broken away to indicate an indeterminate length.

**1 Claim, 7 Drawing Sheets**



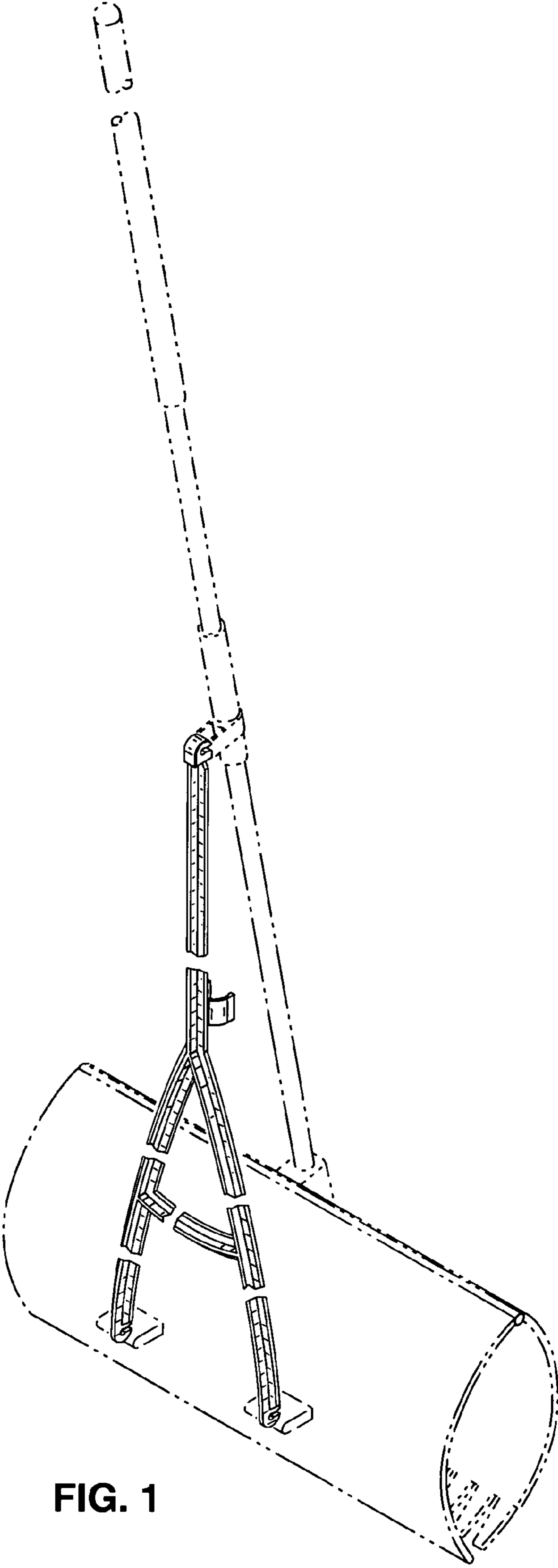


FIG. 1

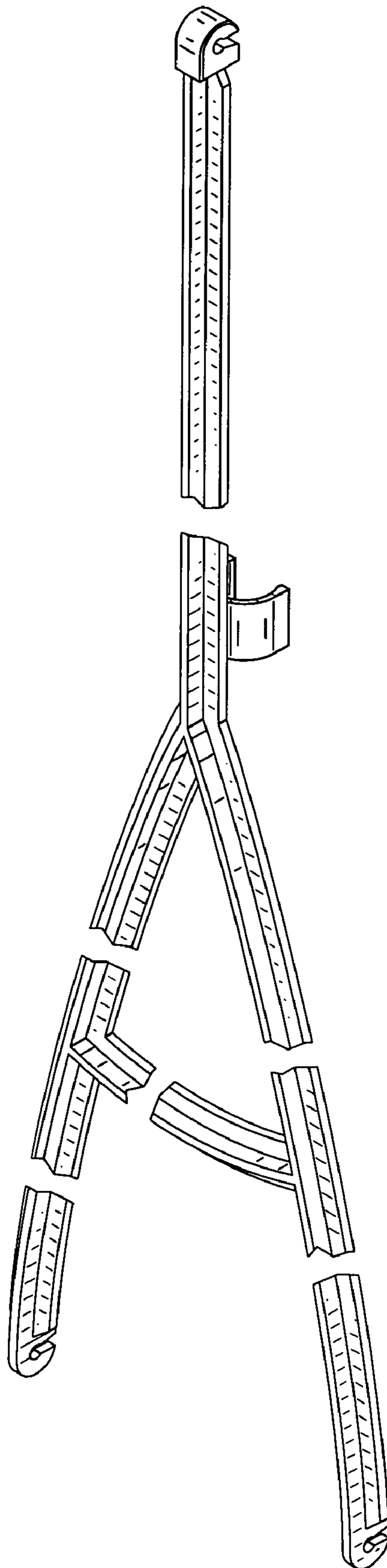


FIG. 2

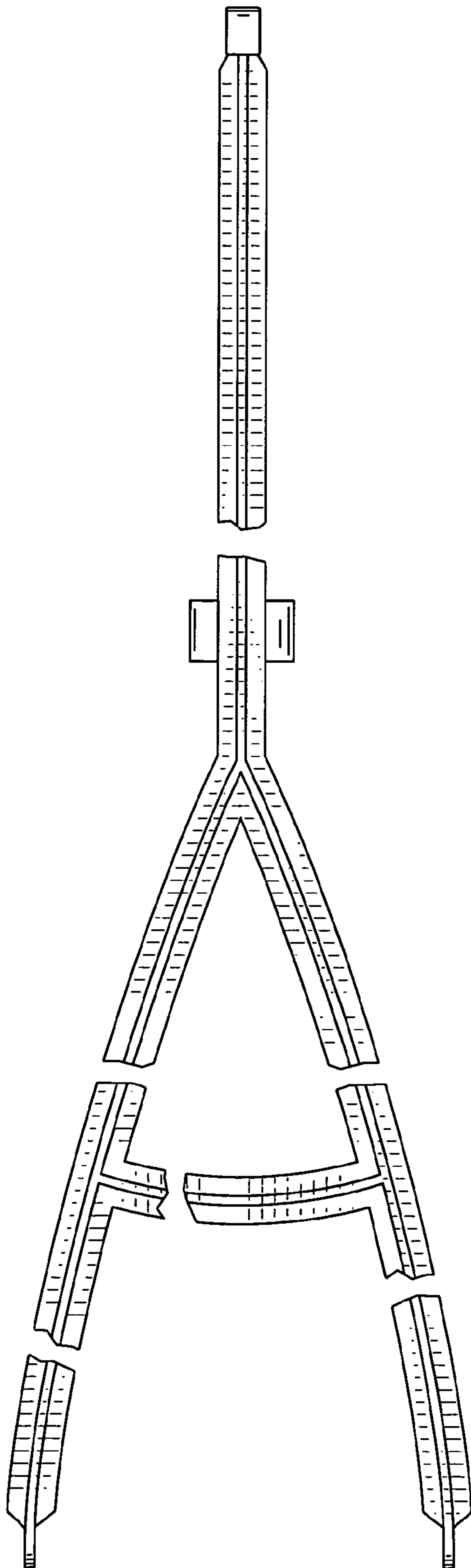


FIG. 3

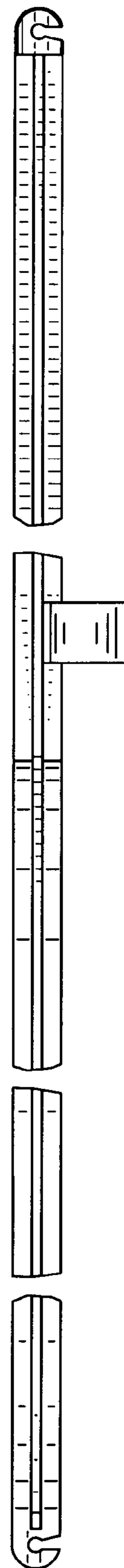


FIG. 4

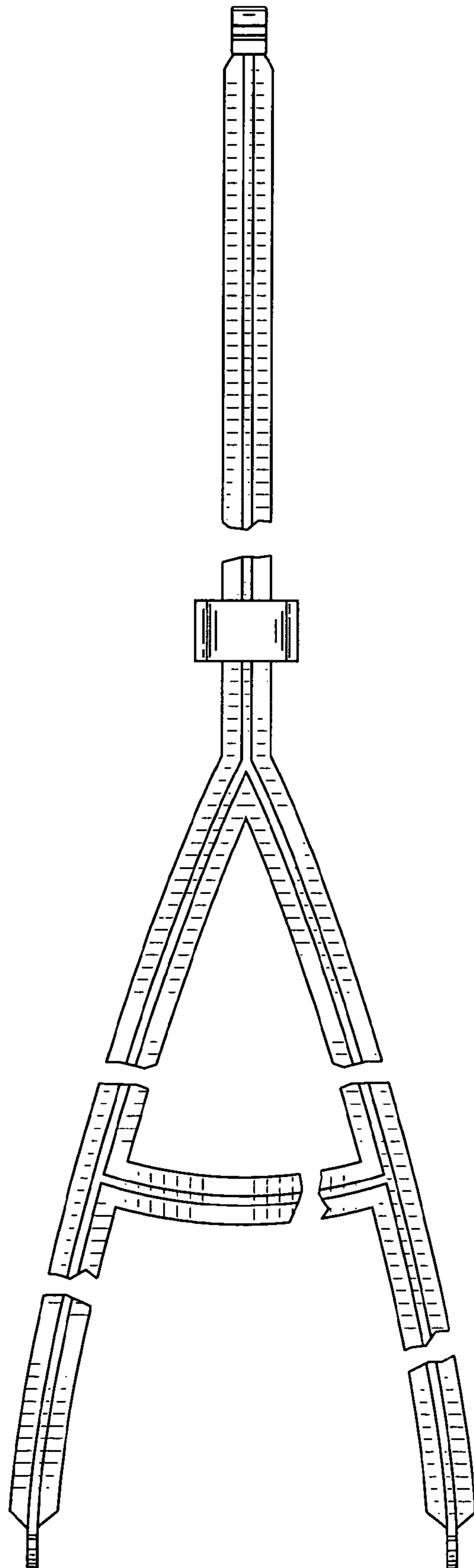


FIG. 5

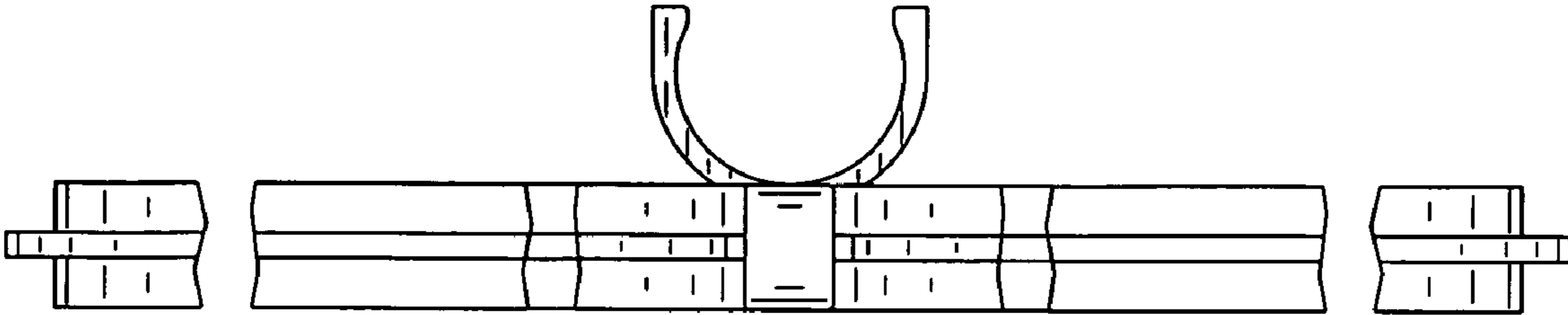


FIG. 6

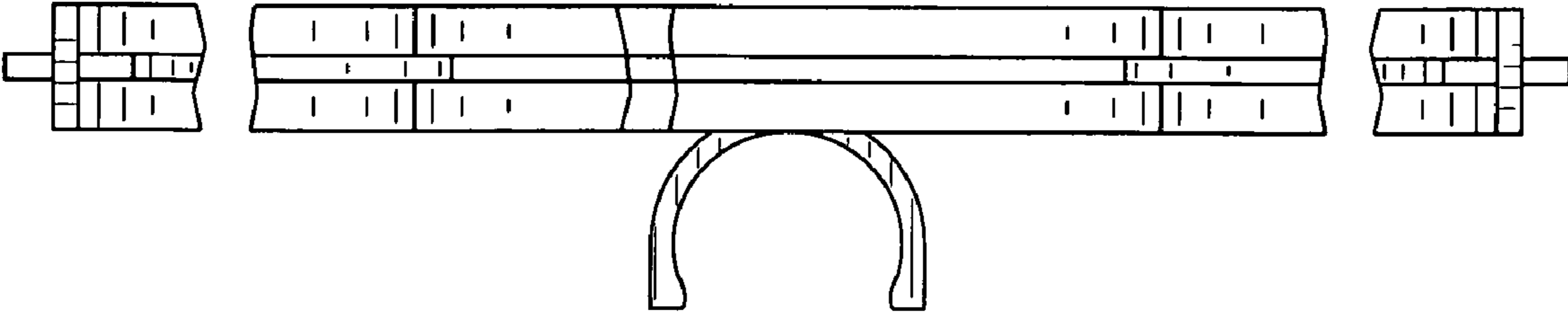


FIG. 7

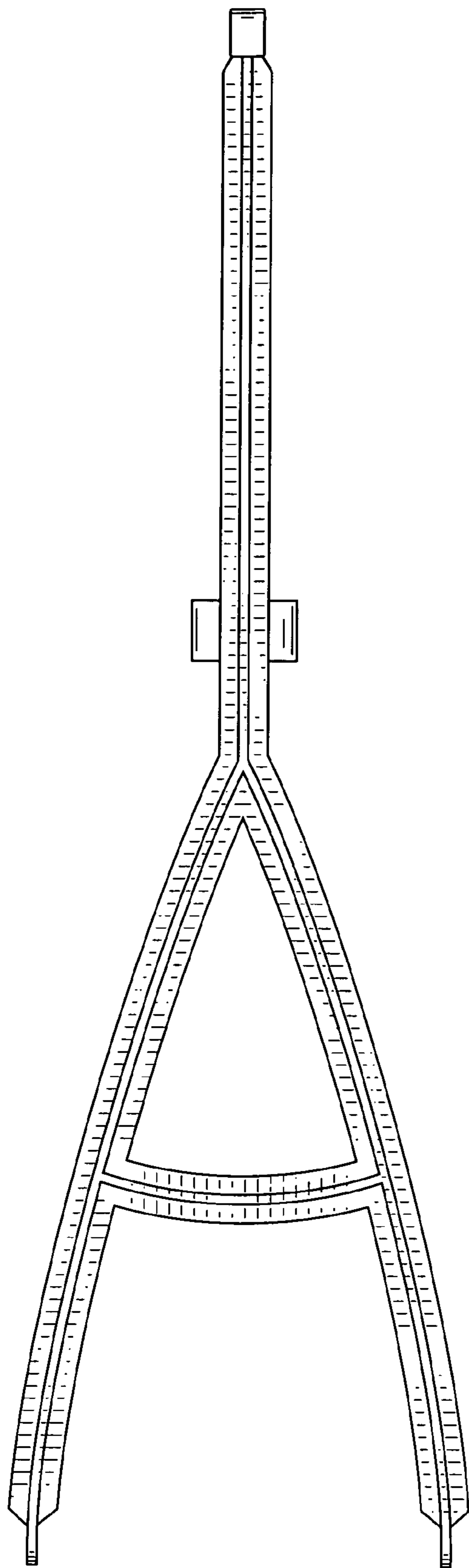


FIG. 8

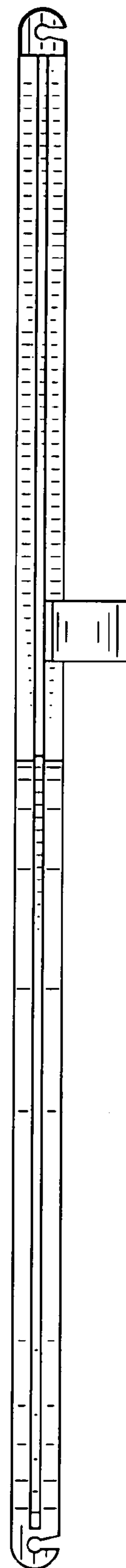


FIG. 9

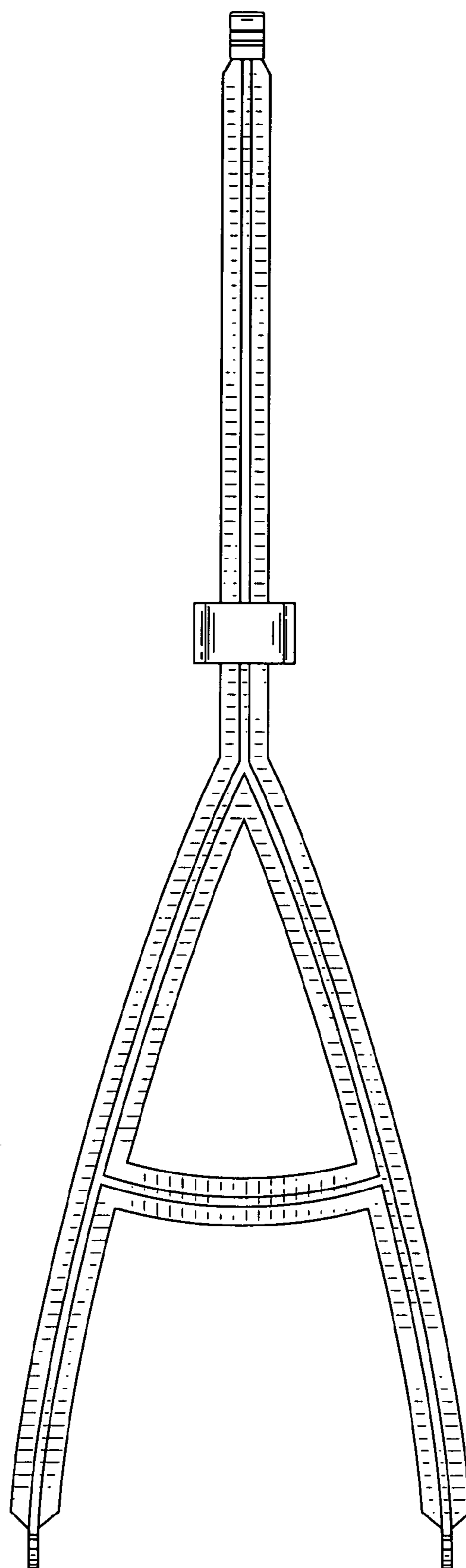


FIG. 10