



US00D592911S

(12) **United States Design Patent**  
**Buchanan**

(10) **Patent No.:** **US D592,911 S**

(45) **Date of Patent:** **\*\* May 26, 2009**

(54) **DRINK COOLER ASSEMBLY**

(57) **CLAIM**

(76) **Inventor:** **Bryan Craig Buchanan**, 533 NW. 95<sup>th</sup>  
Way, Gainesville, FL (US) 32607

The ornamental design for a drink cooler assembly, as shown and described.

(\*\*) **Term:** **14 Years**

**DESCRIPTION**

(21) **Appl. No.:** **29/328,020**

(22) **Filed:** **Nov. 18, 2008**

(51) **LOC (9) Cl.** ..... **07-01**

(52) **U.S. Cl.** ..... **D7/605; D7/701**

(58) **Field of Classification Search** ..... D7/603-608,  
D7/619.1-625, 701, 707, 708; D12/419;  
62/457.1-457.9, 371, 372; 211/74; 248/311.2;  
224/542, 552, 926; 220/737, 739, 592.2

See application file for complete search history.

FIG. 1 is a top frontal perspective view of the cooler insert.

FIG. 2 is a front elevation view of the cooler insert. The back elevation view is a mirror image thereof.

FIG. 3 is a right side elevation view of the cooler insert. The left side elevation view is a mirror image thereof.

FIG. 4 is a top plan view of the cooler insert.

FIG. 5 is a bottom plan view of the cooler insert.

FIG. 6 is a top frontal perspective view of the cooler base.

FIG. 7 is a front elevation view of the cooler base.

FIG. 8 is a right side elevation view of the cooler base. The left side elevation view is a mirror image thereof.

FIG. 9 is a top plan view of the cooler base.

FIG. 10 is a bottom plan view of the cooler base.

FIG. 11 is top frontal perspective view of the assembled cooler insert and base; and,

FIG. 12 is a top frontal exploded perspective view showing the assembly of the cooler insert into the base.

The portions shown in broken lines are for illustrative purposes and form no part of the claimed design.

(56) **References Cited**

U.S. PATENT DOCUMENTS

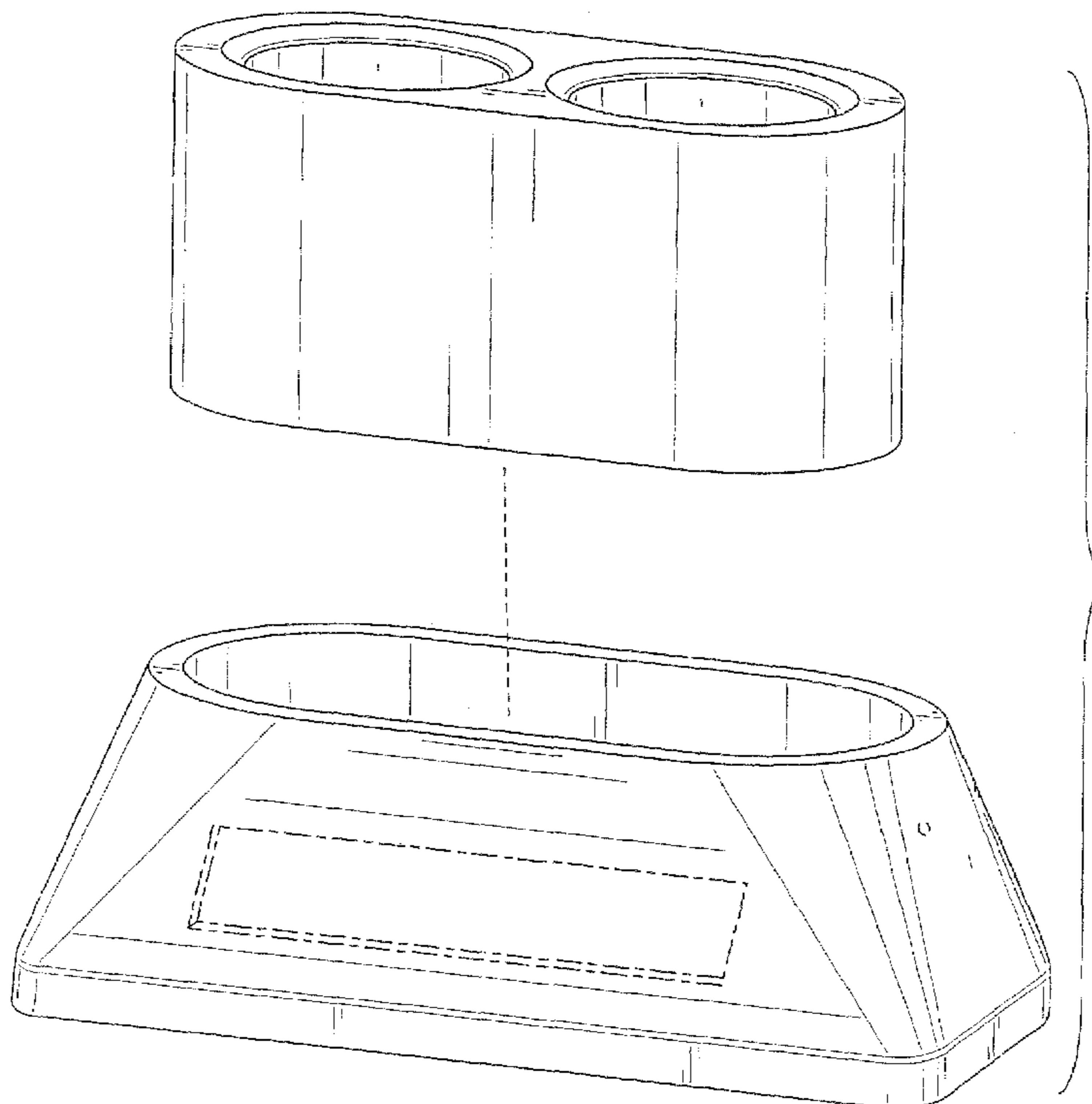
|               |         |                |       |            |
|---------------|---------|----------------|-------|------------|
| D210,897 S *  | 4/1968  | Anglada        | ..... | D7/708     |
| 3,915,304 A * | 10/1975 | Pasco et al.   | ..... | 220/592.21 |
| 5,170,980 A * | 12/1992 | Burrows et al. | ..... | 248/311.2  |
| D417,763 S *  | 12/1999 | Monem          | ..... | D7/620     |
| D444,683 S *  | 7/2001  | Corrion        | ..... | D7/701     |
| D530,137 S *  | 10/2006 | Wilgus et al.  | ..... | D7/605     |

\* cited by examiner

*Primary Examiner*—Terry A Wallace

(74) *Attorney, Agent, or Firm*—Saliwanchik, Lloyd & Saliwanchik

**1 Claim, 10 Drawing Sheets**



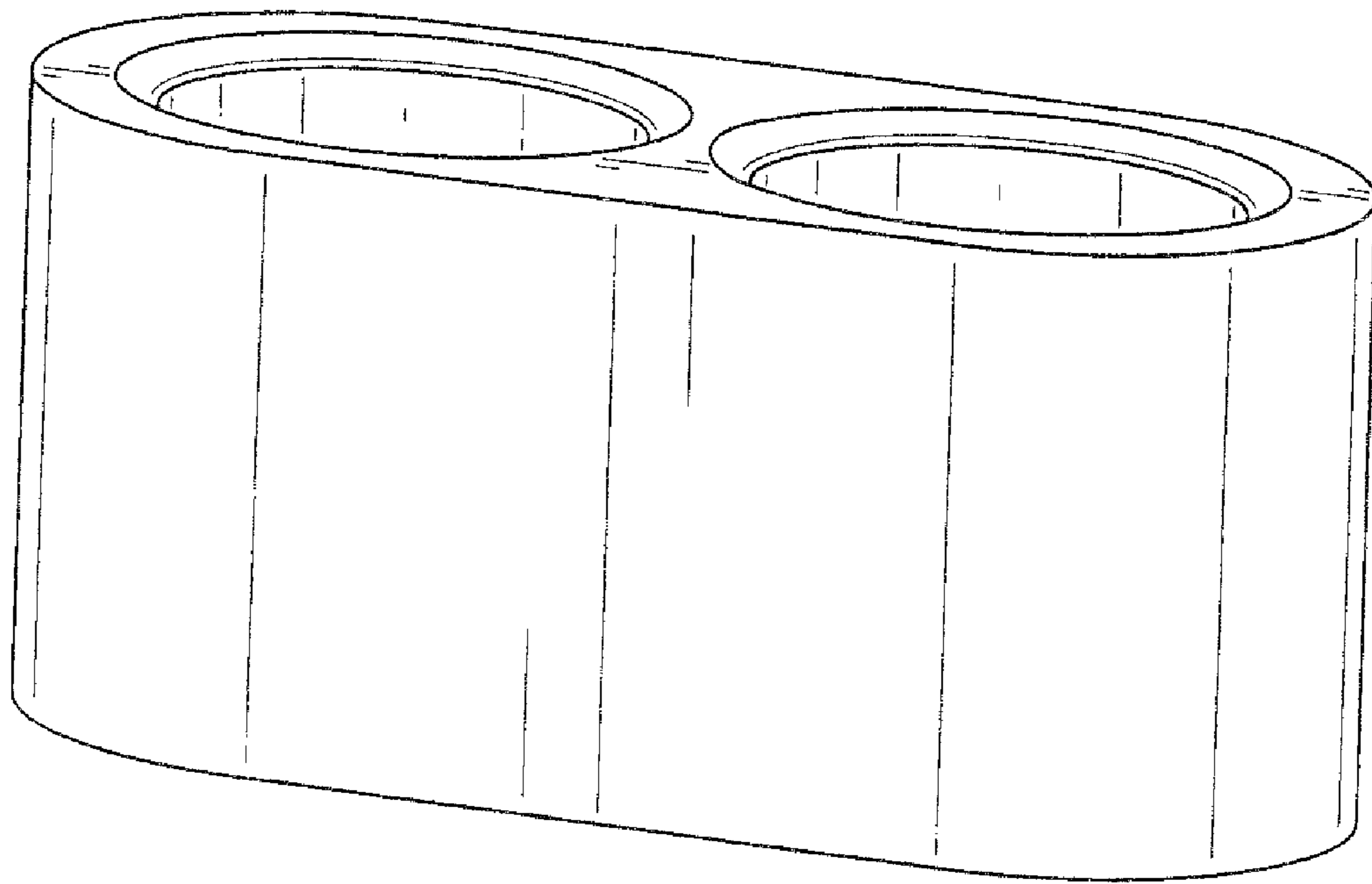


FIG. 1

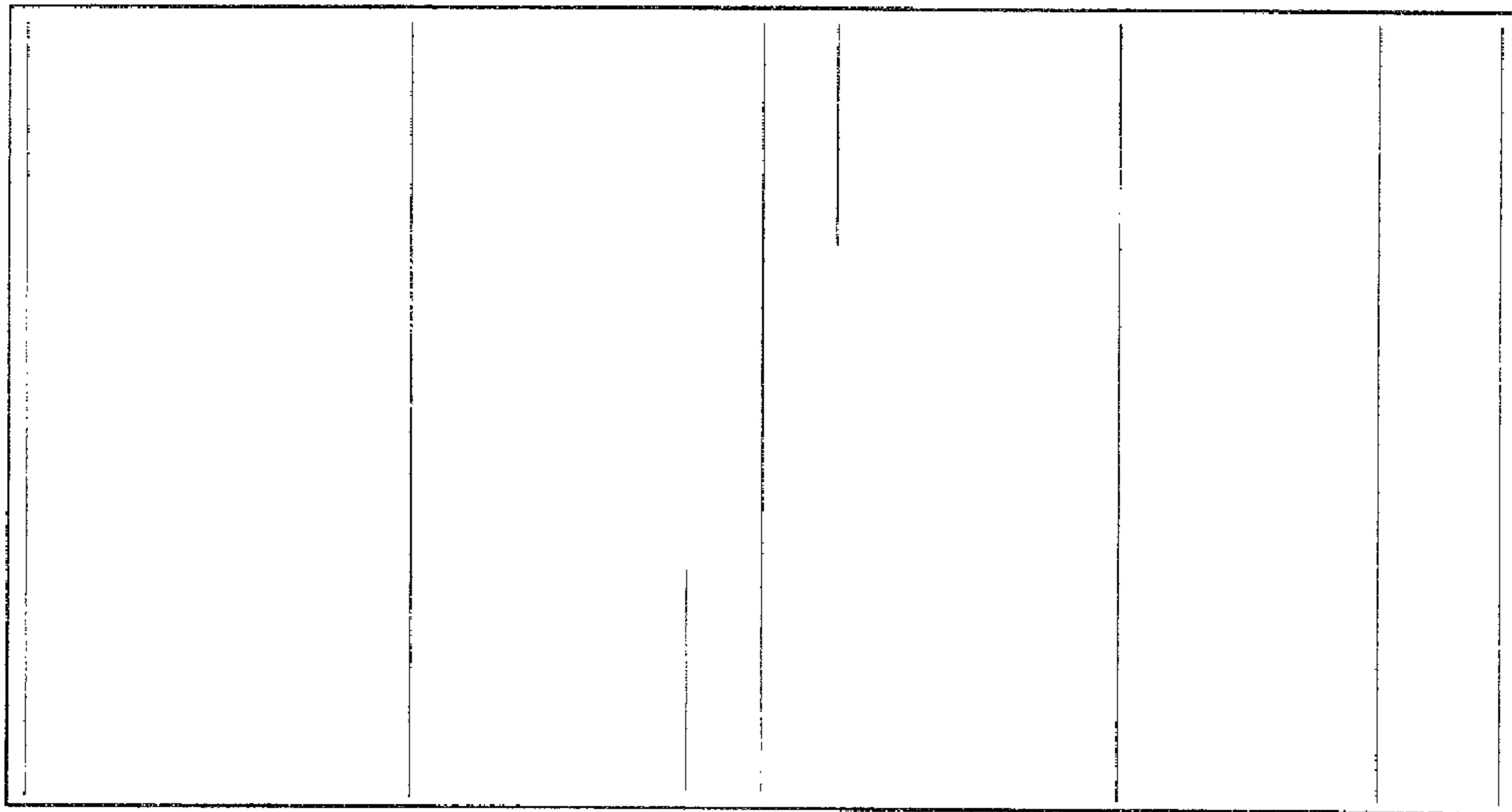


FIG. 2

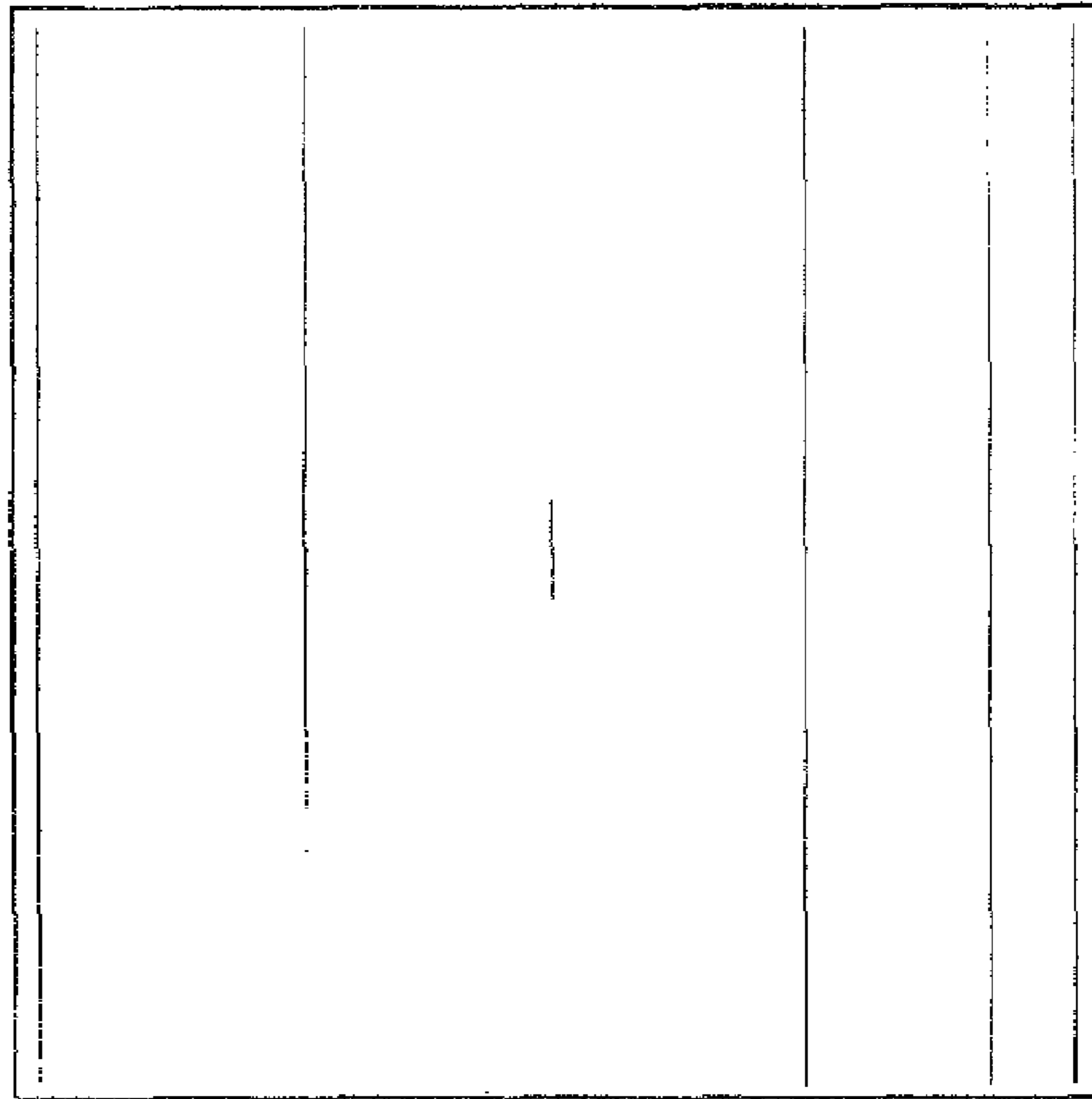


FIG. 3

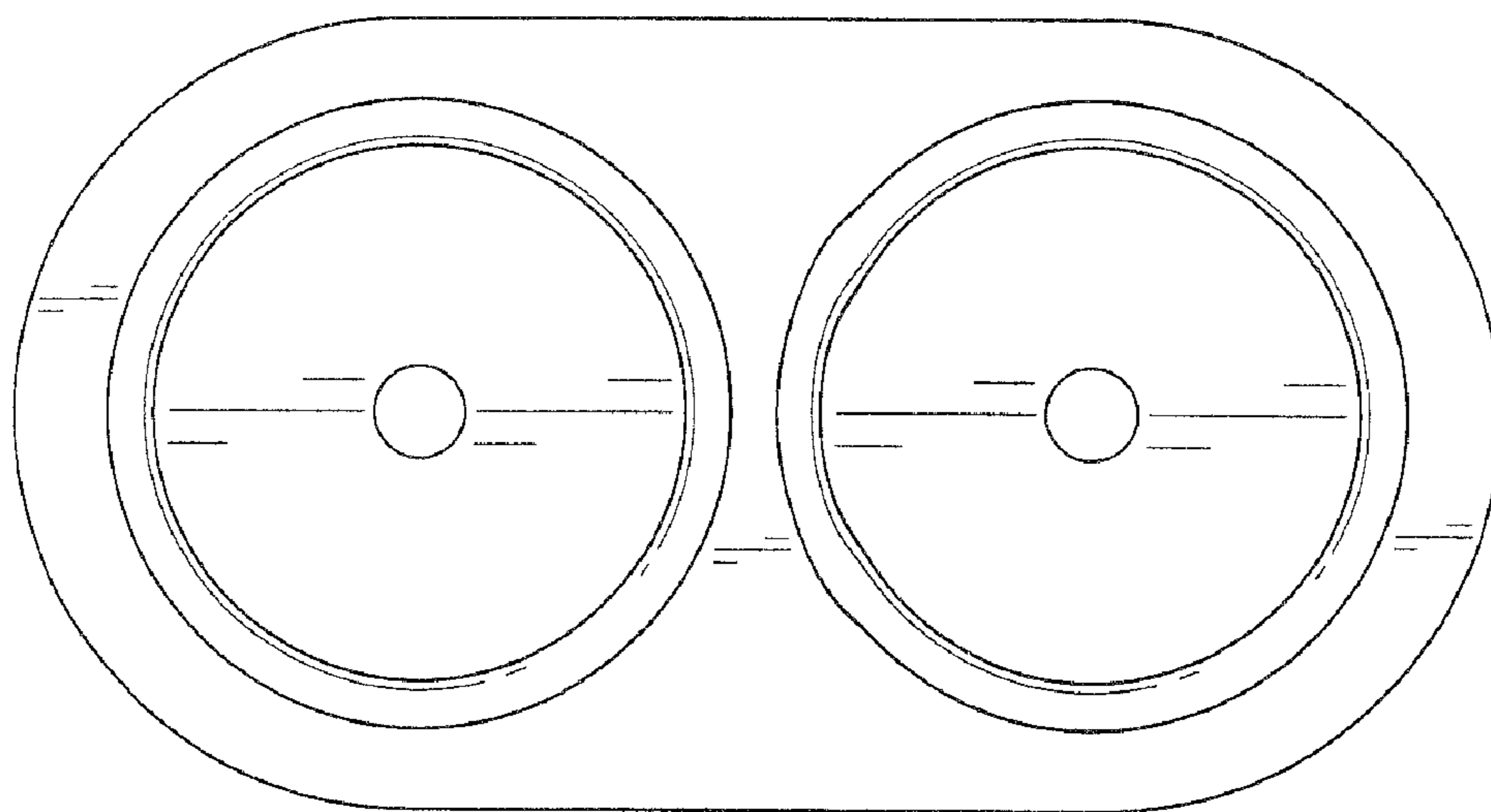


FIG. 4

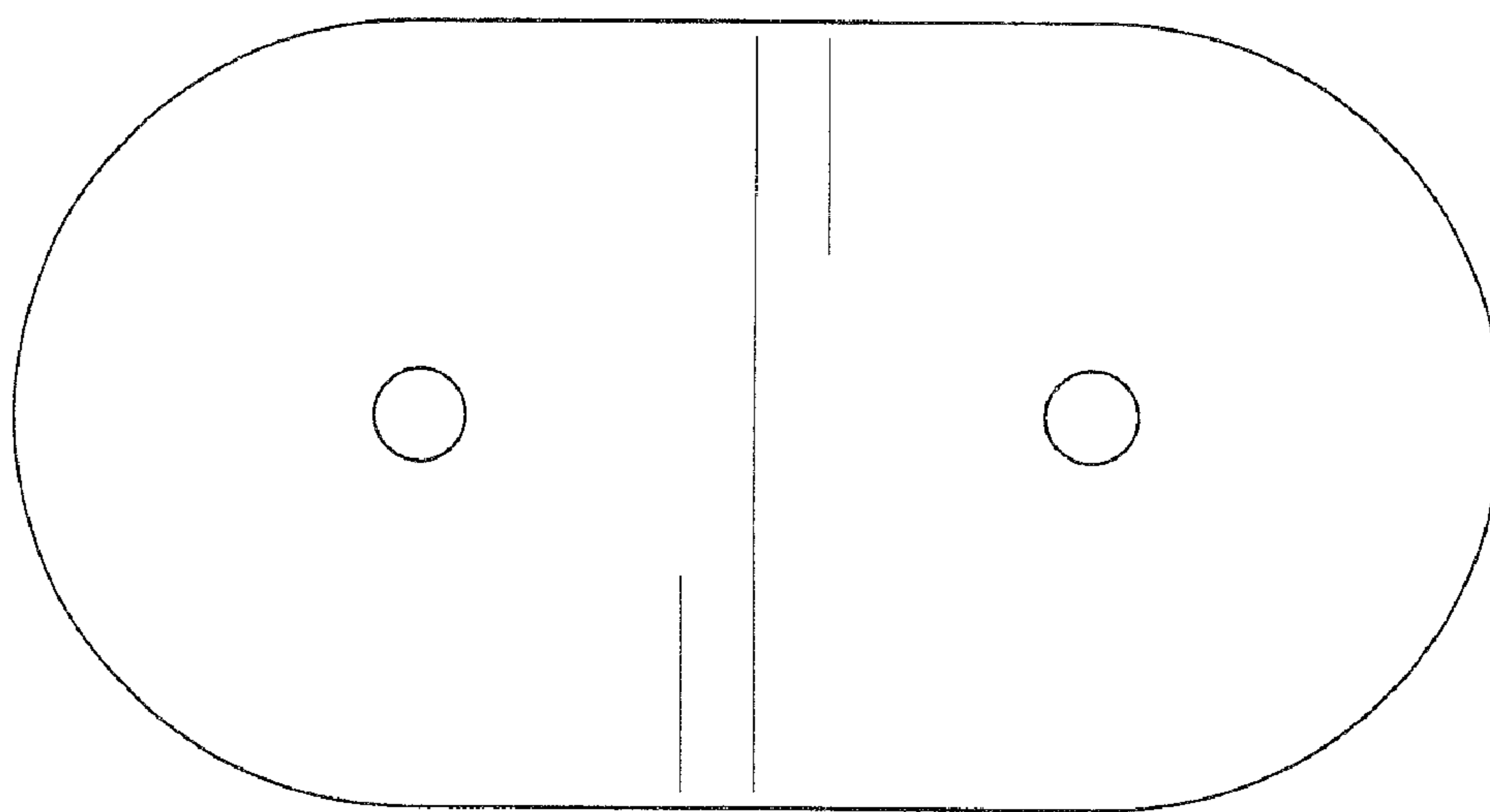


FIG. 5

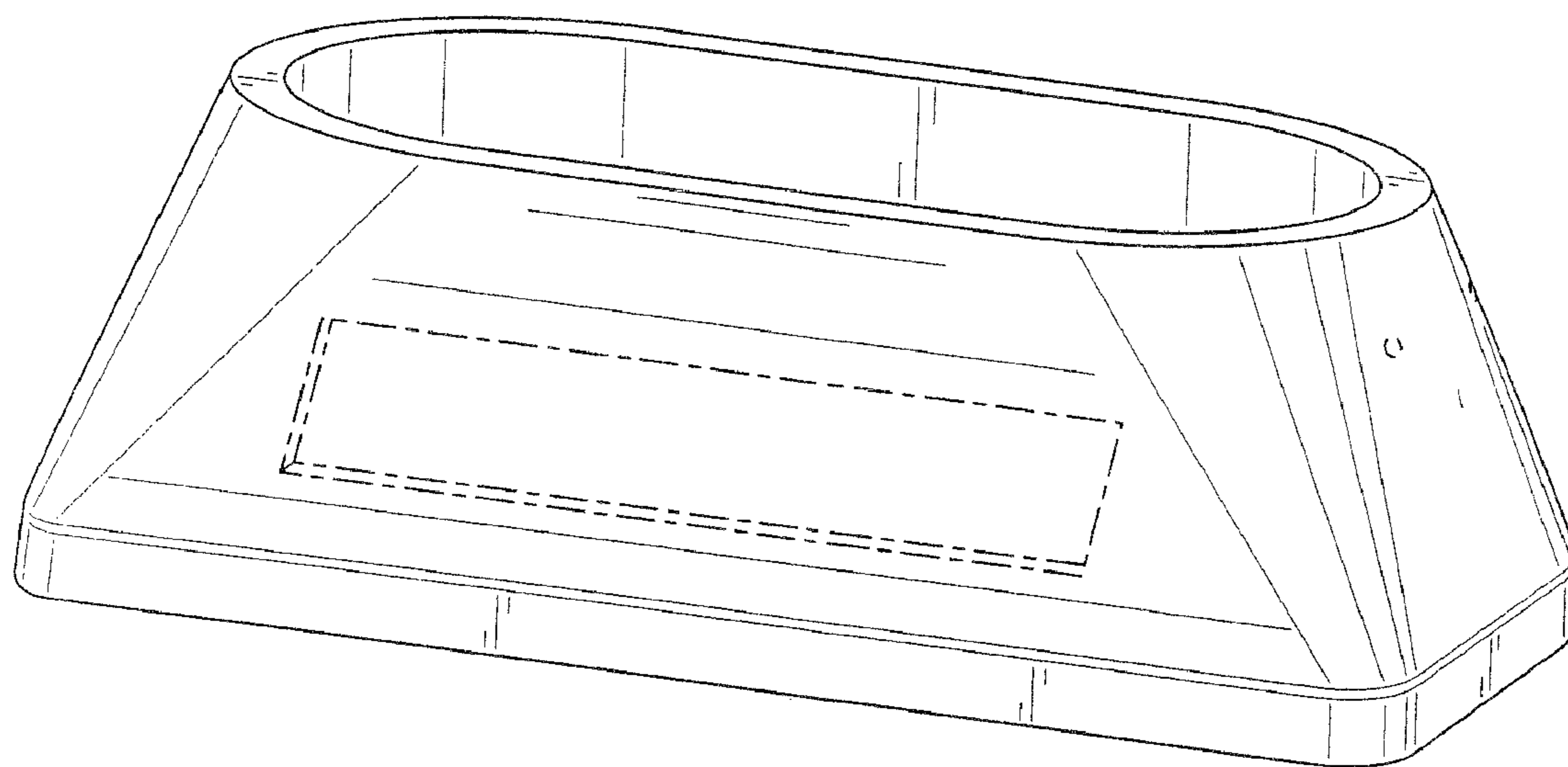


FIG. 6

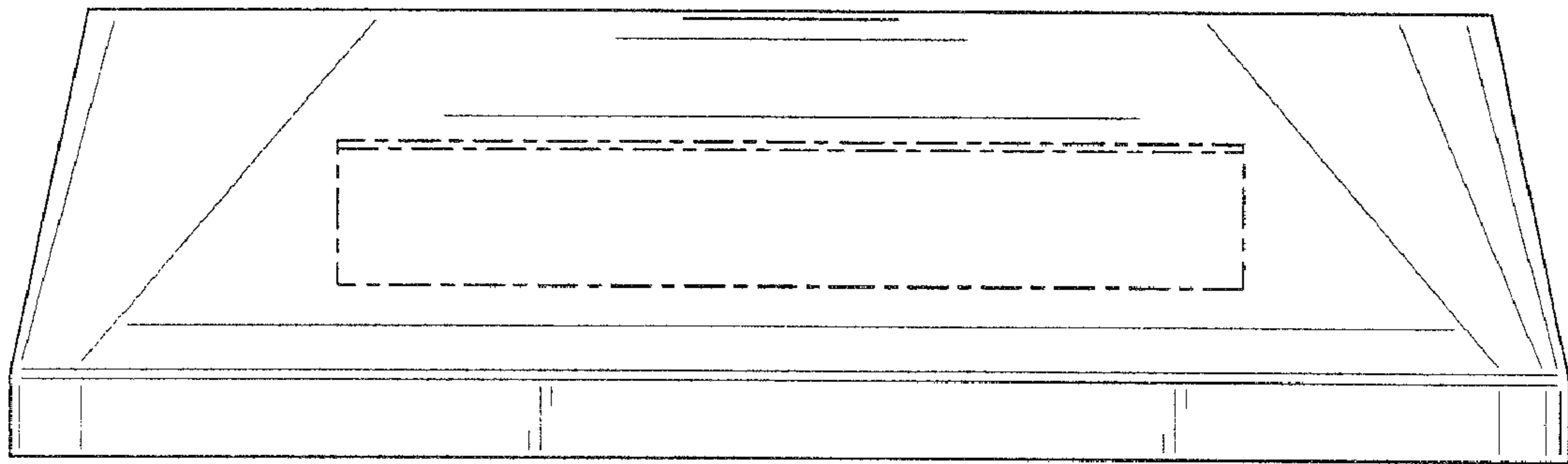


FIG. 7

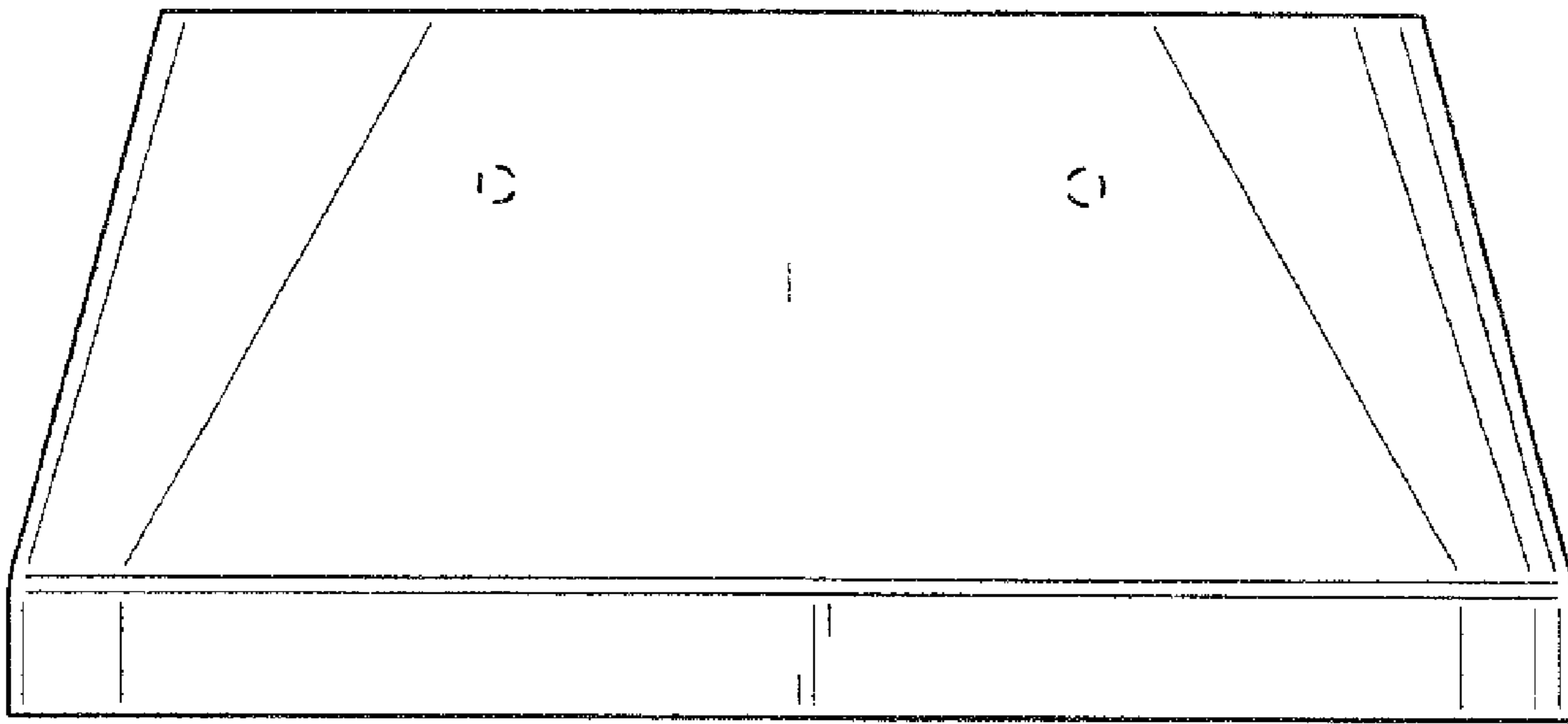


FIG. 8



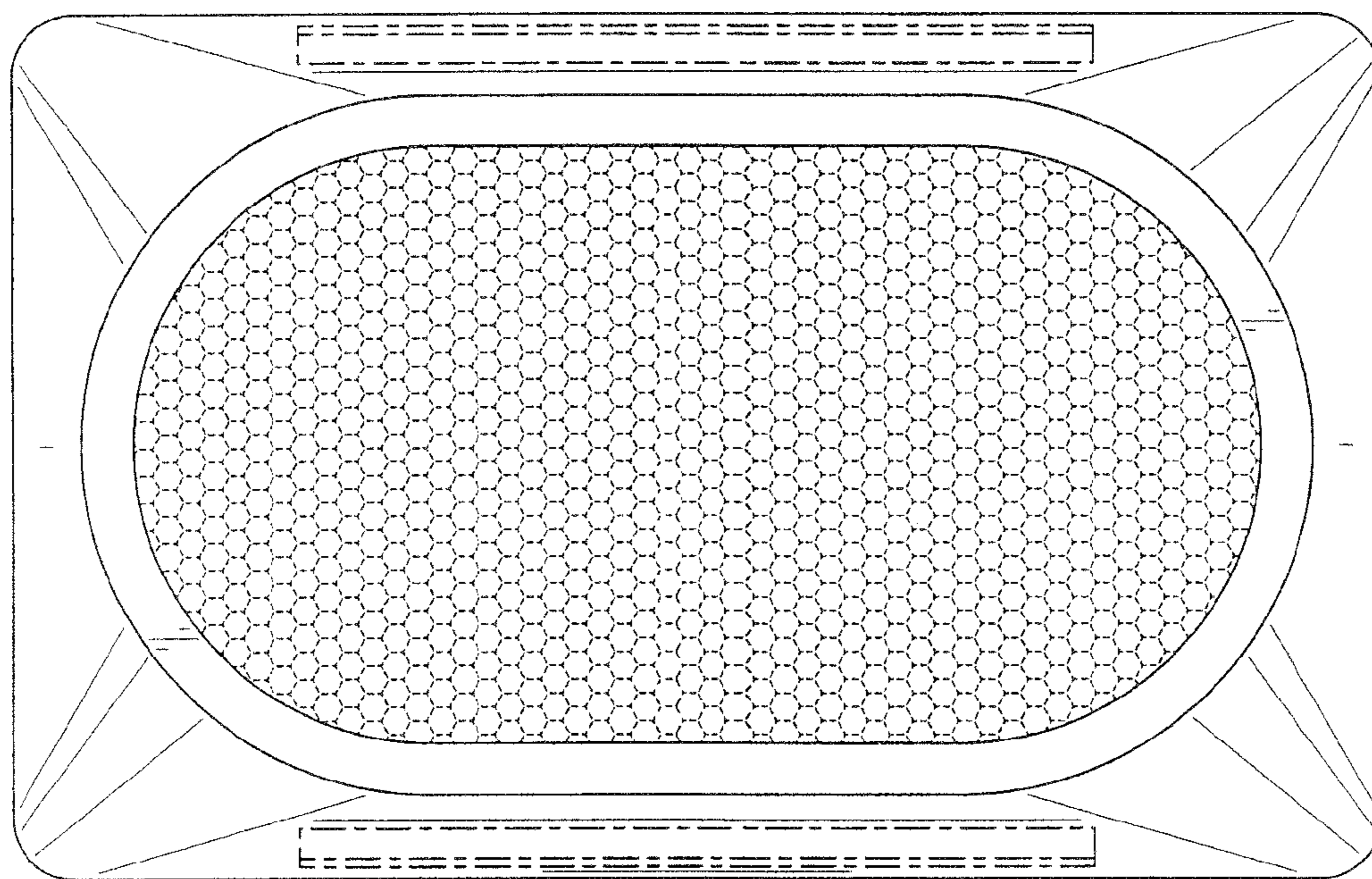


FIG. 9

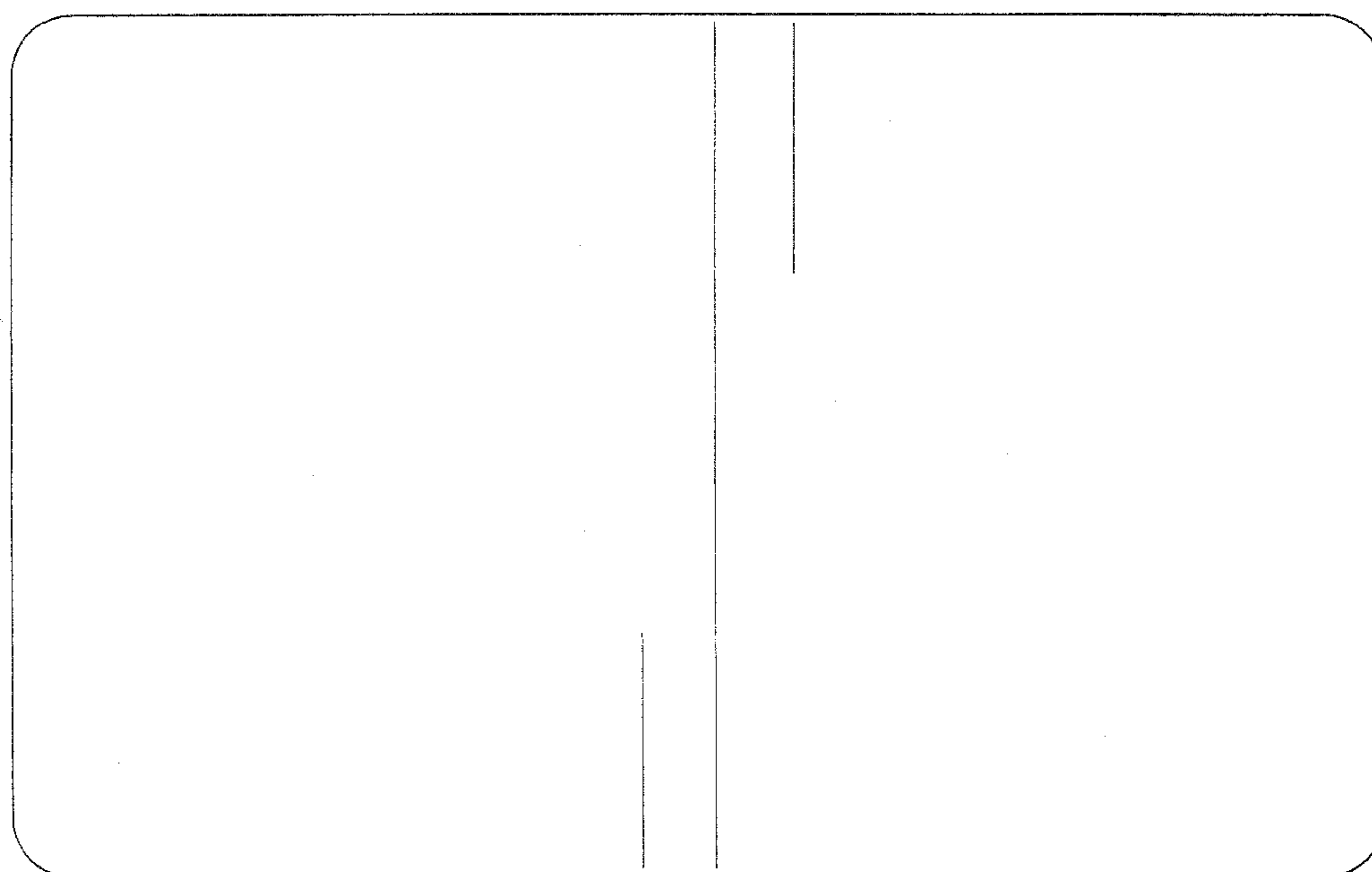


FIG. 10

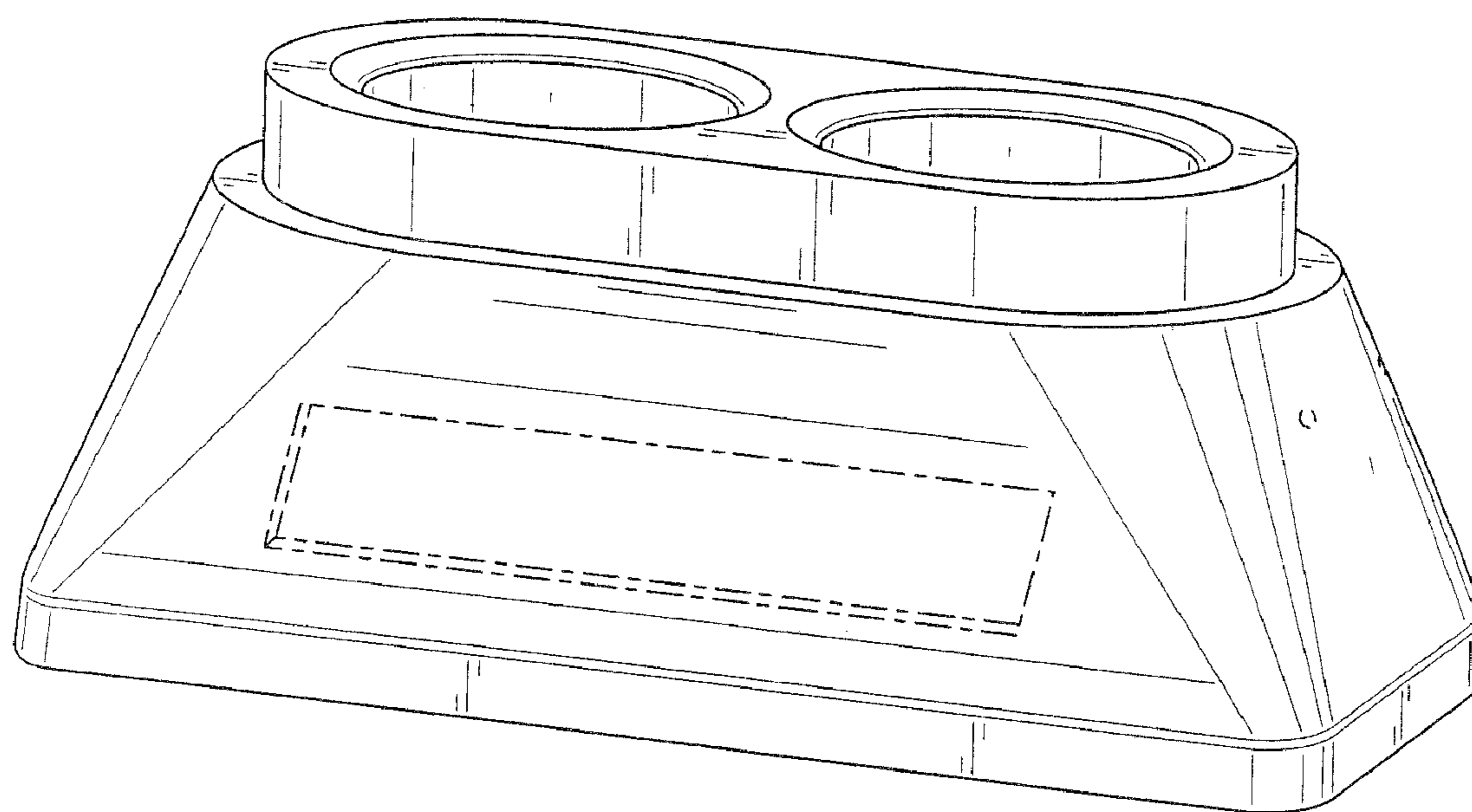


FIG. 11

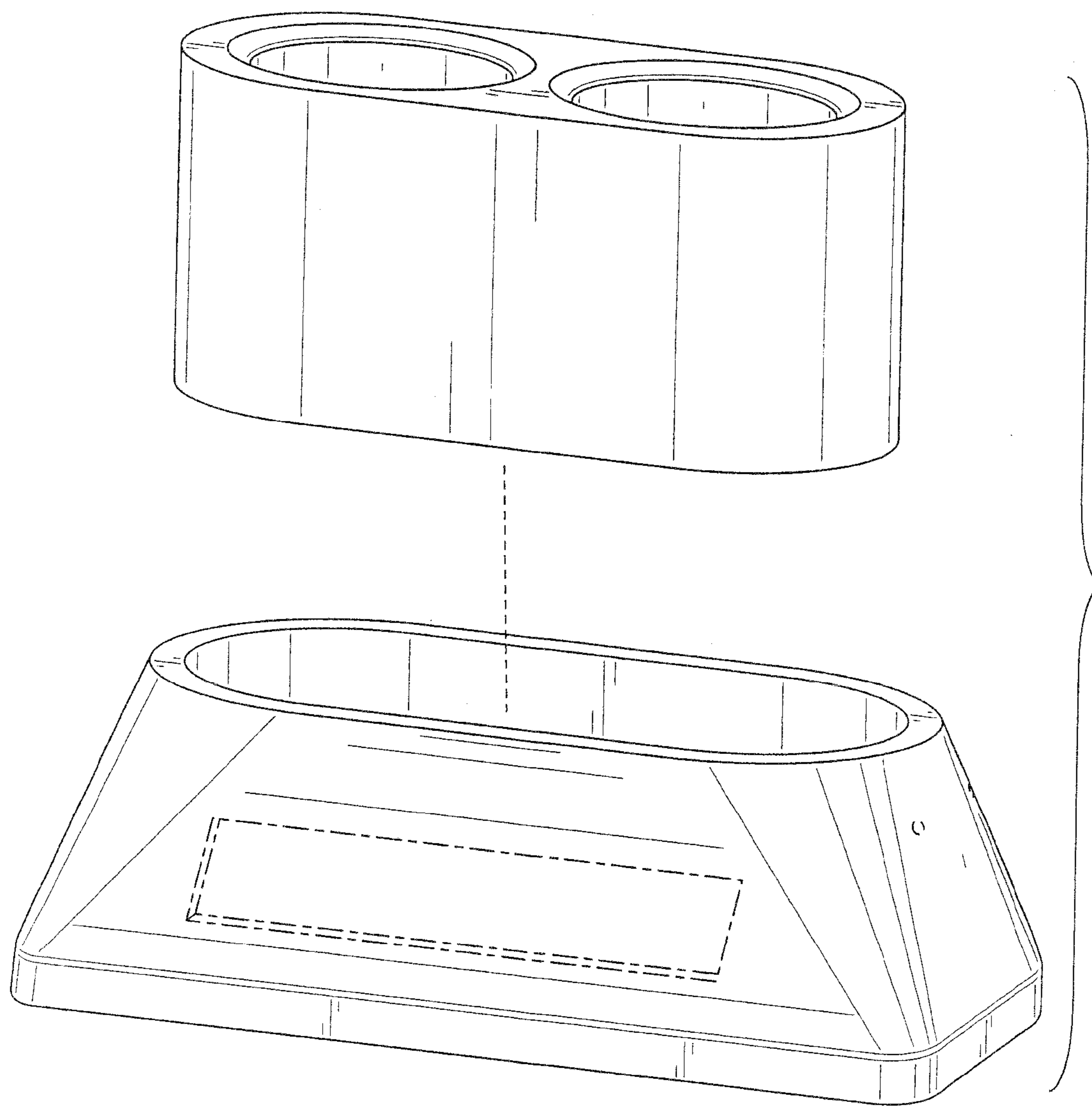


FIG. 12