



US00D592910S

(12) **United States Design Patent**  
**Hanson et al.**

(10) **Patent No.:** **US D592,910 S**

(45) **Date of Patent:** **\*\* May 26, 2009**

(54) **SAND BUCKET/COOLER**

(76) Inventors: **Donald S. Hanson**, 222 Dorset Dr.,  
Evans, GA (US) 30809; **Richard Krall**,  
2305 Spring House La., Apr. B, Augusta,  
GA (US) 30907; **Bradley J. Hanson**,  
1541 Stevens Creek Dr., North Augusta,  
SC (US) 29860; **Kent H. Bruntz**, 674  
Derby Ct., Evans, GA (US) 30908;  
**Charles Louison**, 2285 Treehouse La.,  
Unit 102, Corona, CA (US) 92879;  
**Bruce Simmons**, 352 Keller Rd.,  
Rincon, GA (US) 31326

D464,485 S \* 10/2002 Sward et al. .... D3/294  
D502,059 S \* 2/2005 Bukowski et al. .... D7/605  
D513,870 S \* 1/2006 Rosine et al. .... D3/273  
D514,893 S \* 2/2006 Bellofatto et al. .... D7/605

\* cited by examiner

*Primary Examiner*—Terry A Wallace  
(74) *Attorney, Agent, or Firm*—Harness, Dickey & Pierce,  
P.L.C.

(\*\*) Term: **14 Years**

(21) Appl. No.: **29/299,468**

(22) Filed: **Dec. 27, 2007**

(51) **LOC (9) Cl.** ..... **07-01**

(52) **U.S. Cl.** ..... **D7/605**

(58) **Field of Classification Search** ..... D7/605–608,  
D7/602, 629, 709, 538–542; D3/273, 276,  
D3/291, 282, 294, 901; 62/457.1–457.9,  
62/371, 372; 206/541, 545, 546, 548, 549;  
220/915.1, 915.2, 592.01, 592.03, 592.09,  
220/592.16, 592.2; D32/53, 53.1

See application file for complete search history.

(56) **References Cited**

**U.S. PATENT DOCUMENTS**

269,054 A \* 12/1882 Hemsteger ..... 220/574  
D351,318 S \* 10/1994 Wedi ..... D7/605  
D381,512 S \* 7/1997 Green ..... D3/294  
D398,816 S \* 9/1998 Koutsouflakis ..... D7/605  
D407,609 S \* 4/1999 Rausch ..... D7/605  
D422,555 S \* 4/2000 Bergh ..... D12/423  
D448,623 S \* 10/2001 Gatipon et al. .... D7/605

(57) **CLAIM**

The ornamental design for a sand bucket/cooler, as shown and described.

**DESCRIPTION**

FIG. 1 is a front perspective view of a sand bucket/cooler according to a first aspect of the present teachings;

FIG. 2 is a rear perspective view of the sand bucket/cooler of FIG. 1;

FIG. 3 is a front view of the sand bucket/cooler of FIG. 1;

FIG. 4 is a back view of the sand bucket/cooler of FIG. 1;

FIG. 5 is a top view of the sand bucket/cooler of FIG. 1;

FIG. 6 is a left side view of the sand bucket/cooler of FIG. 1, the right side view being a mirror image thereof;

FIG. 7 is a front perspective view of a sand bucket/cooler according to a second aspect of the present teachings;

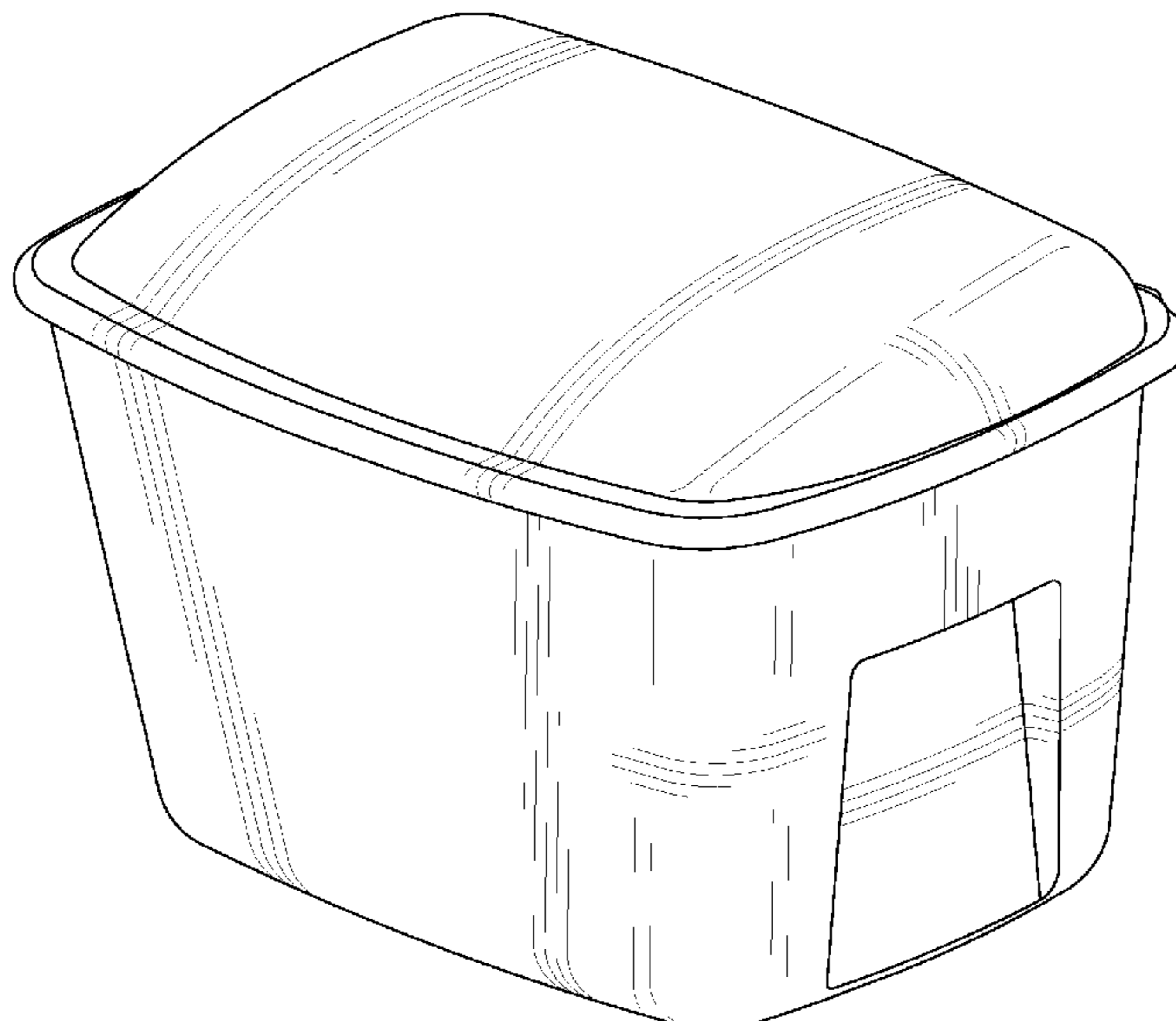
FIG. 8 is a rear perspective view of the sand bucket/cooler of FIG. 7;

FIG. 9 is a front view of the sand bucket/cooler of FIG. 7; and,

FIG. 10 is a back view of the sand bucket/cooler of FIG. 7.

The broken lines of the hinges are for illustrative purposes only and form no part of the claimed design.

**1 Claim, 5 Drawing Sheets**



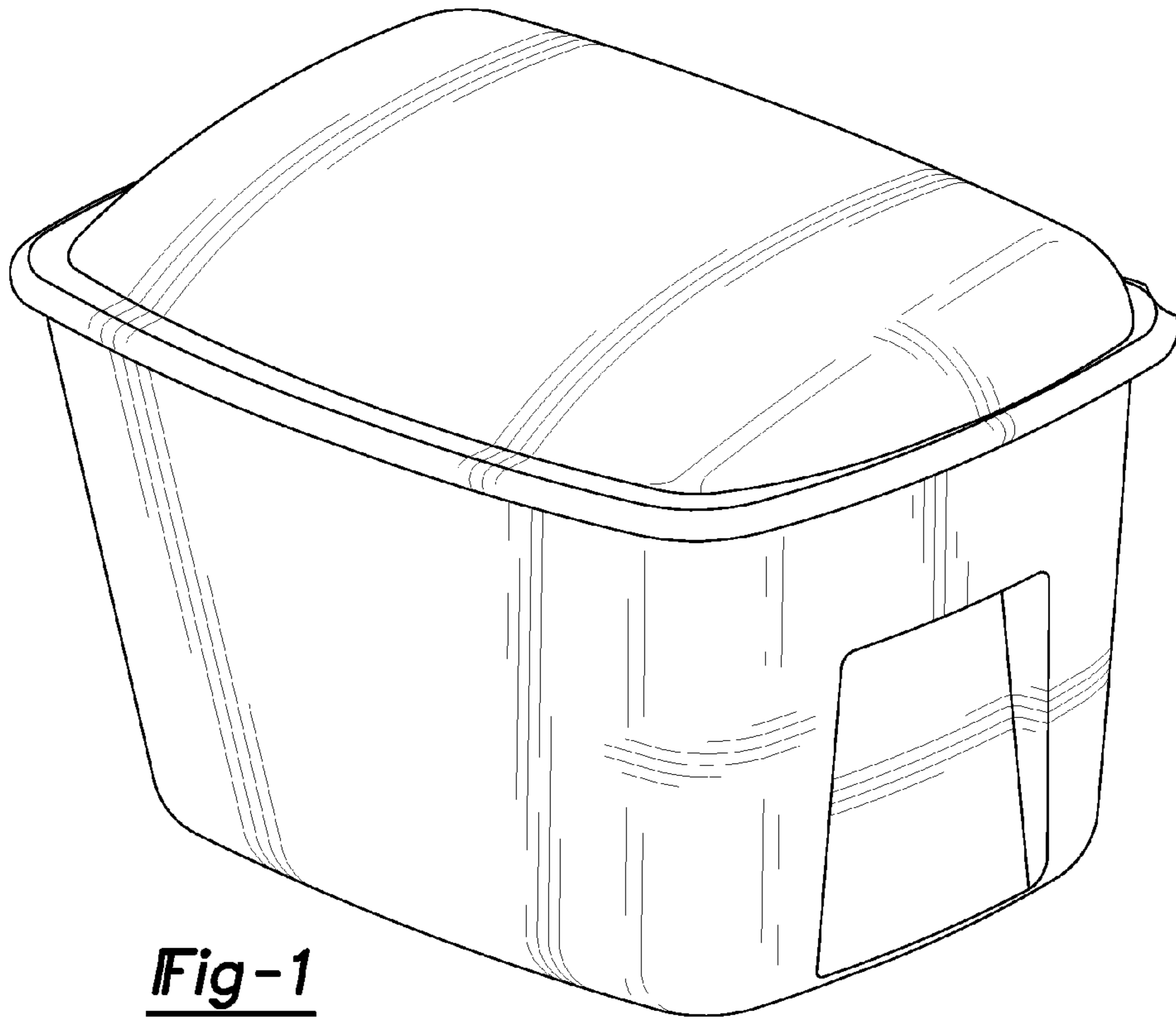


Fig-1

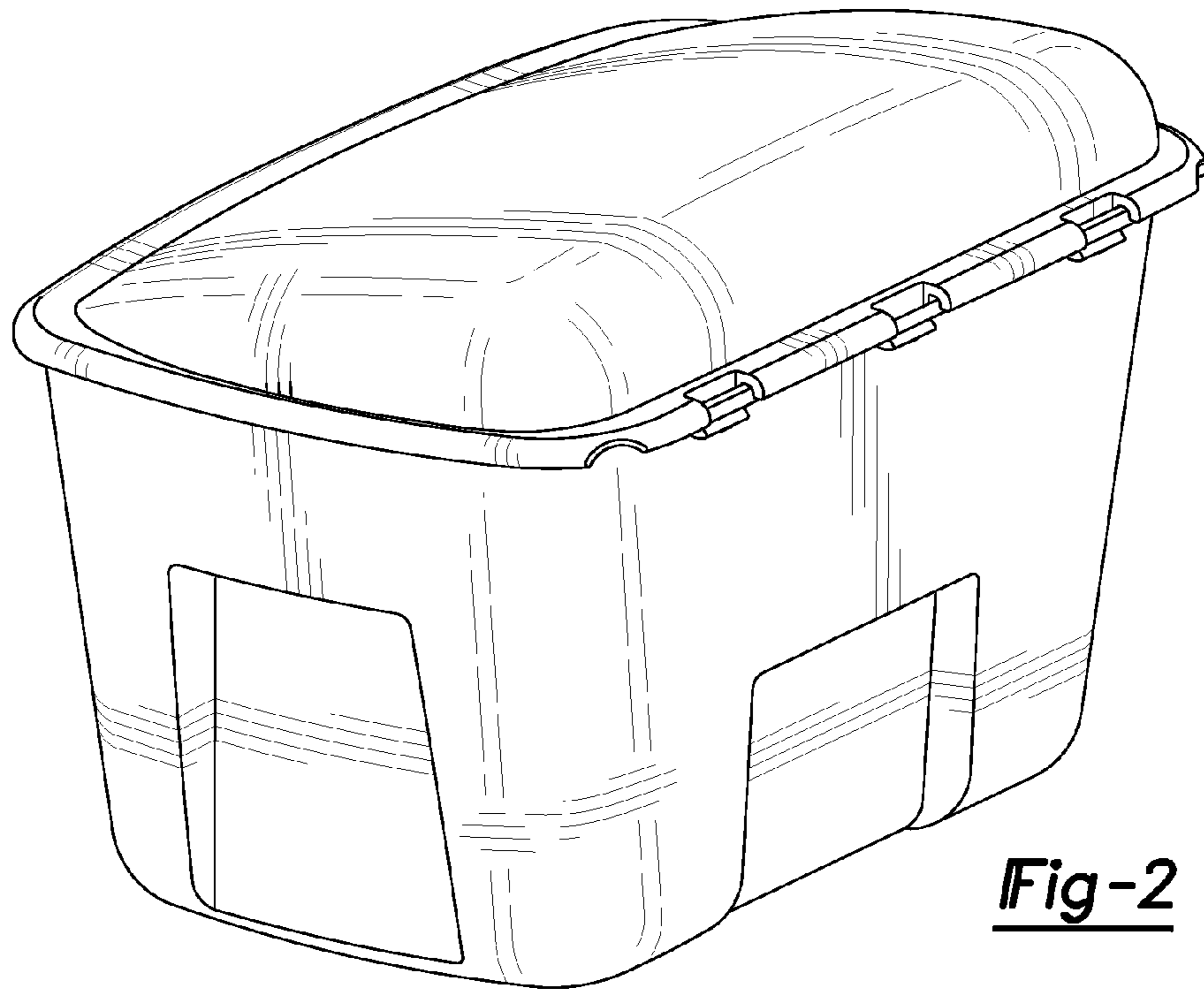


Fig-2

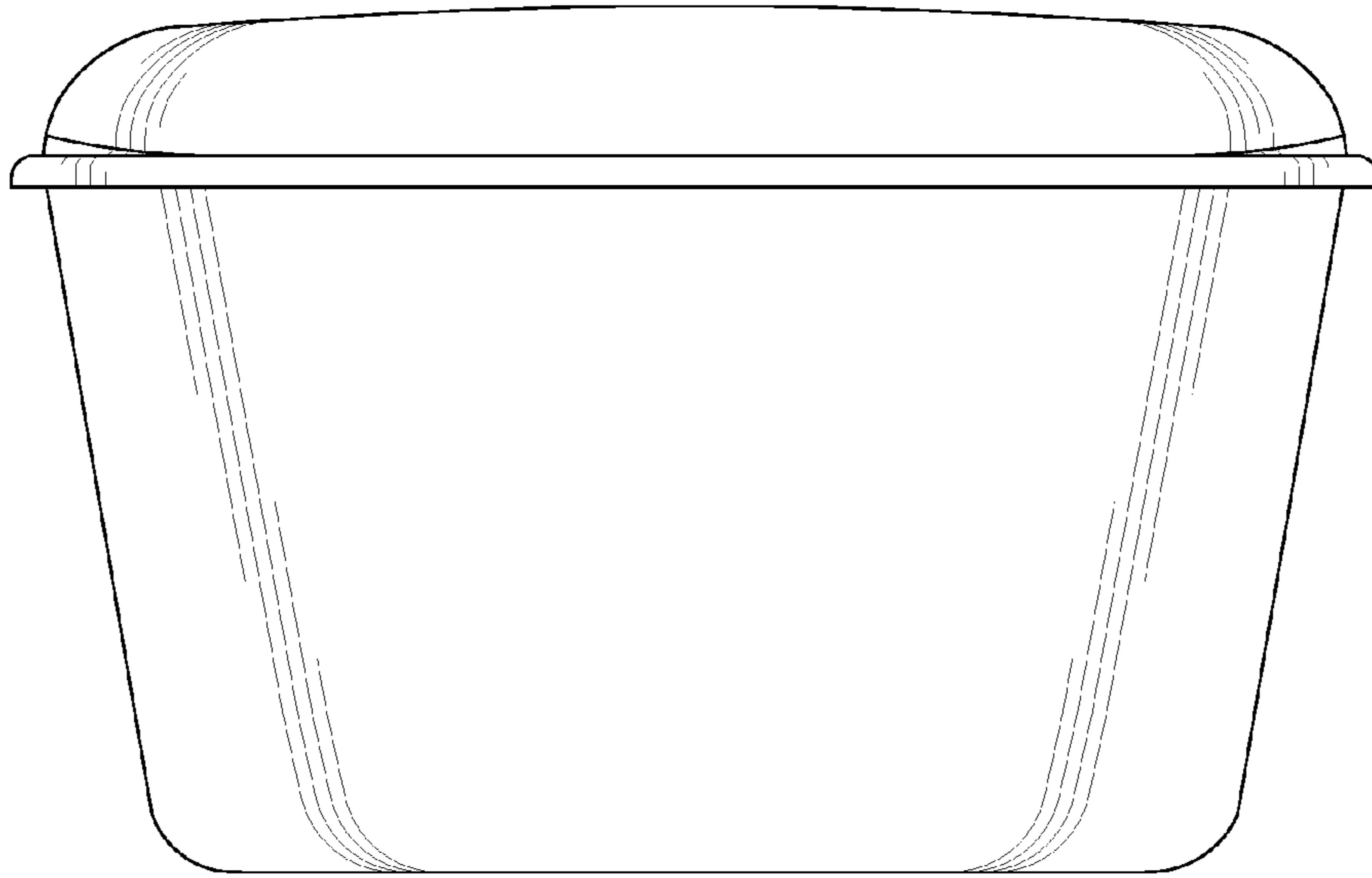


Fig-3

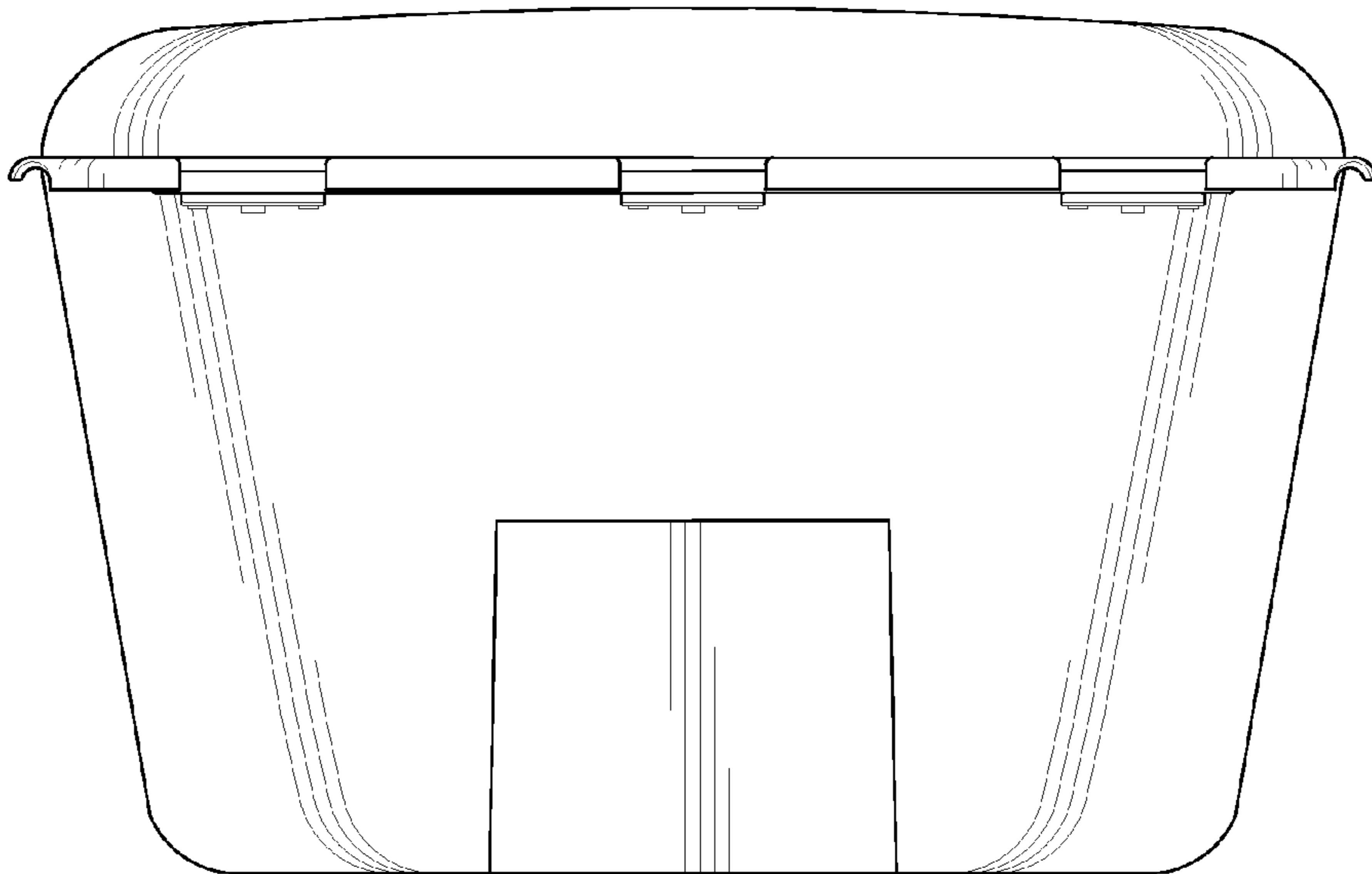


Fig-4

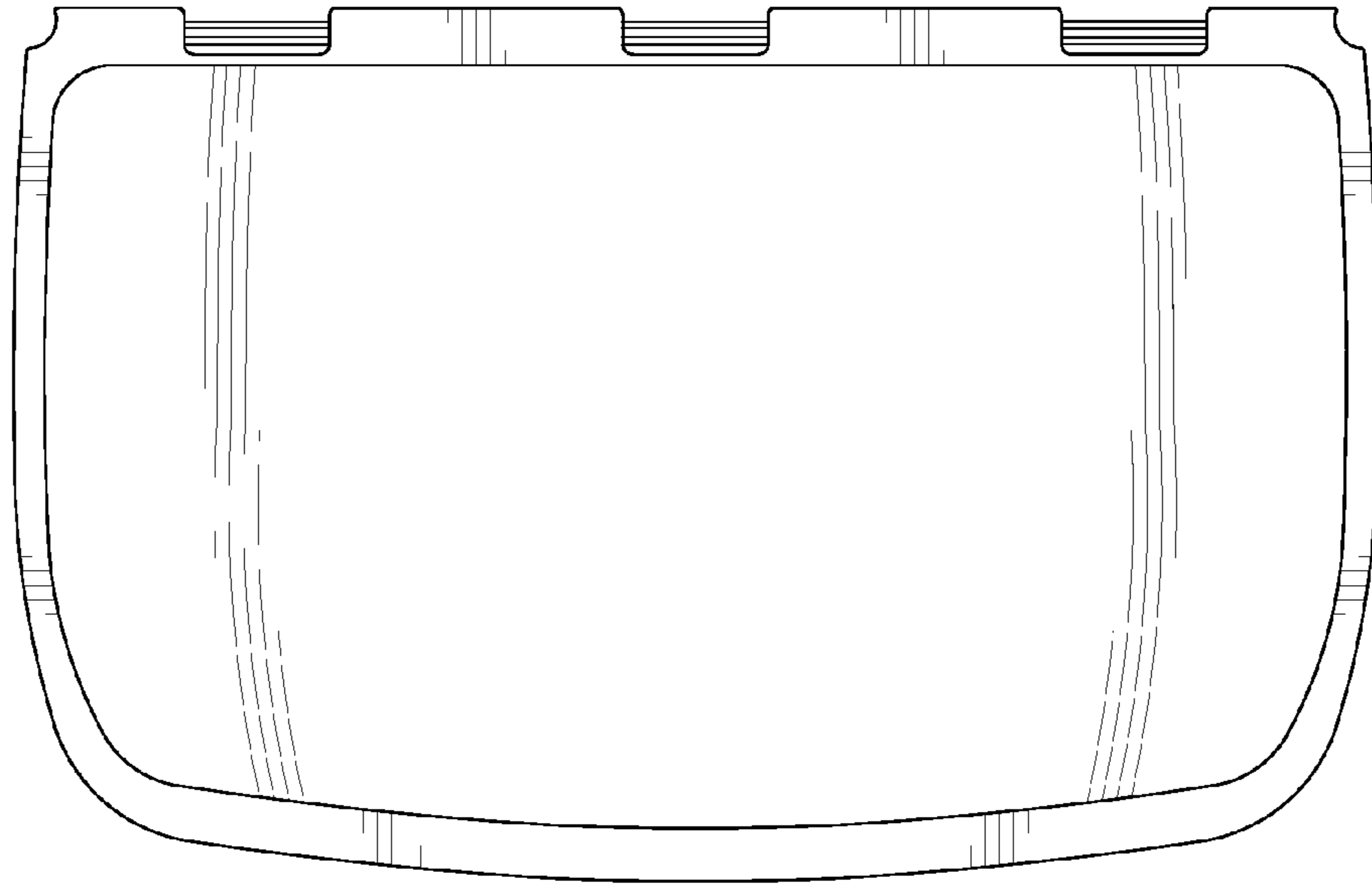


Fig-5

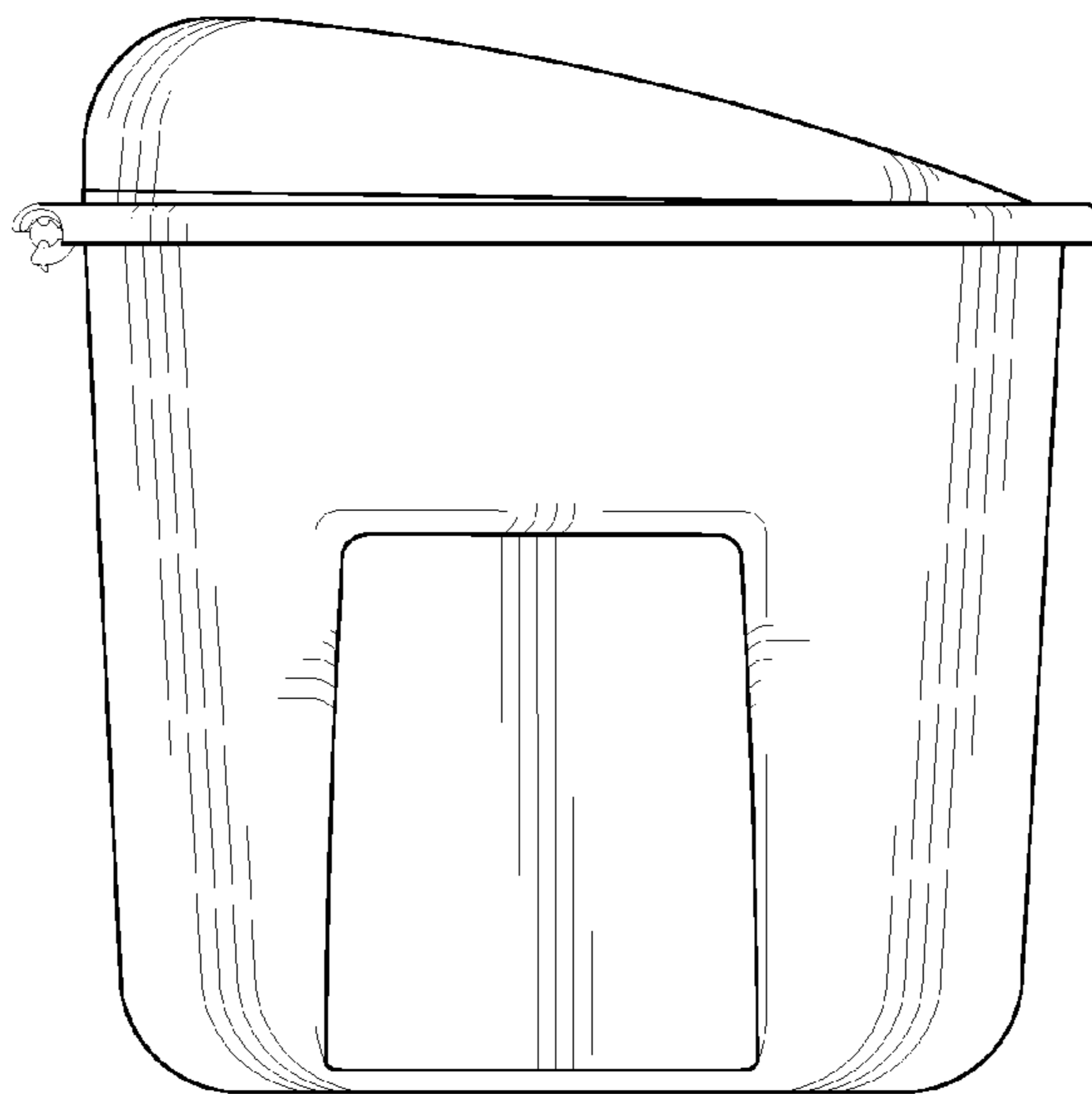


Fig-6

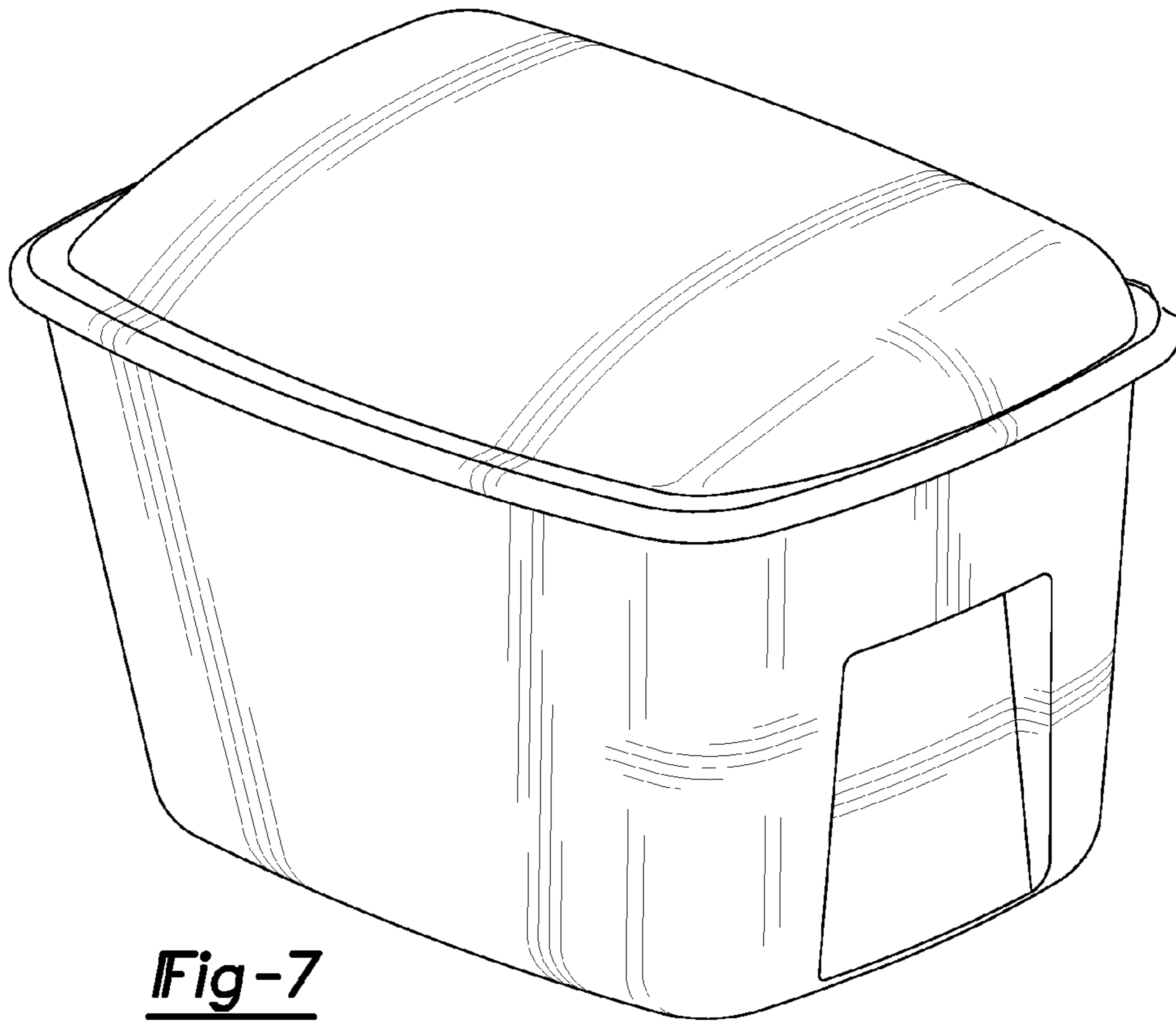


Fig-7

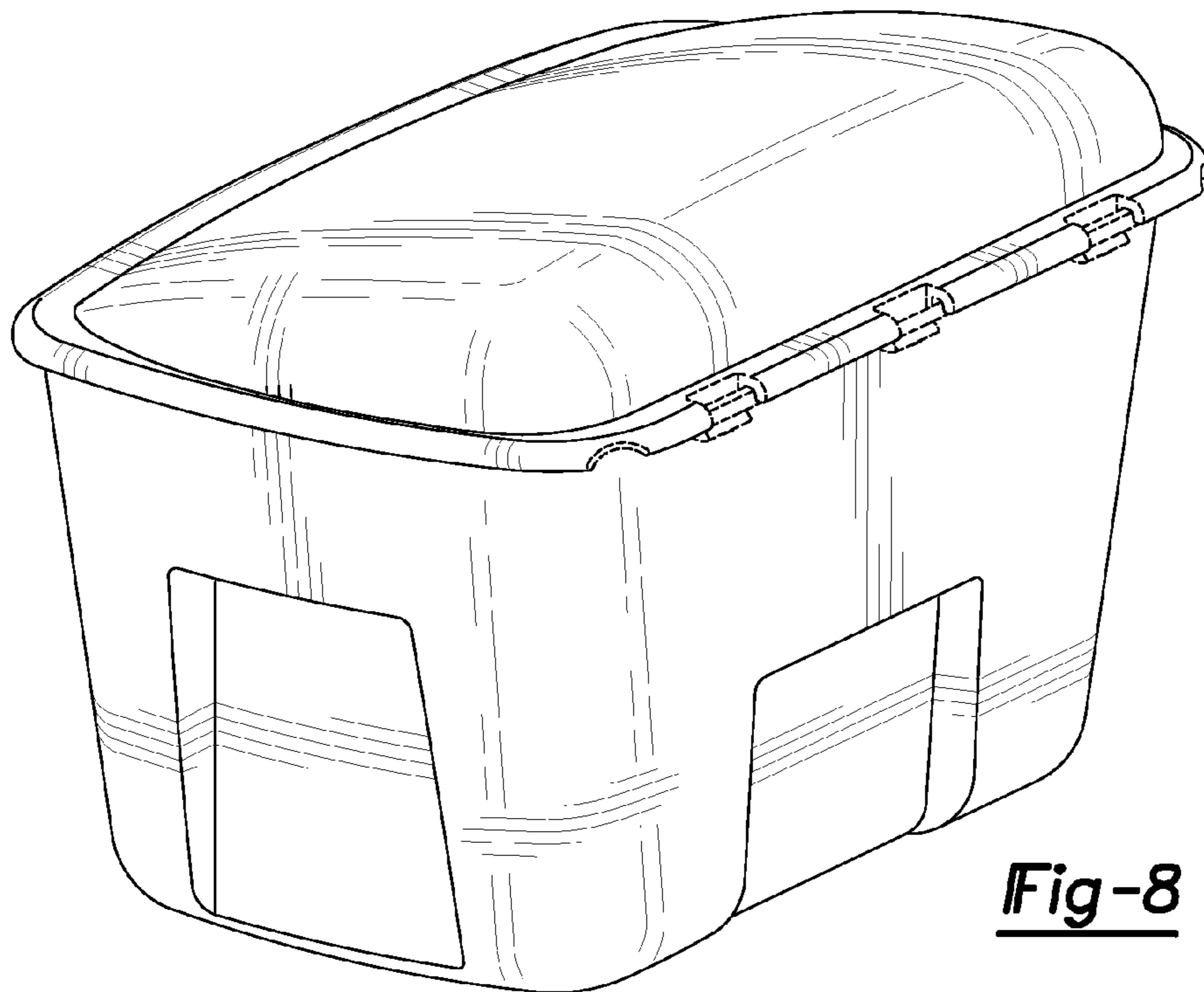


Fig-8

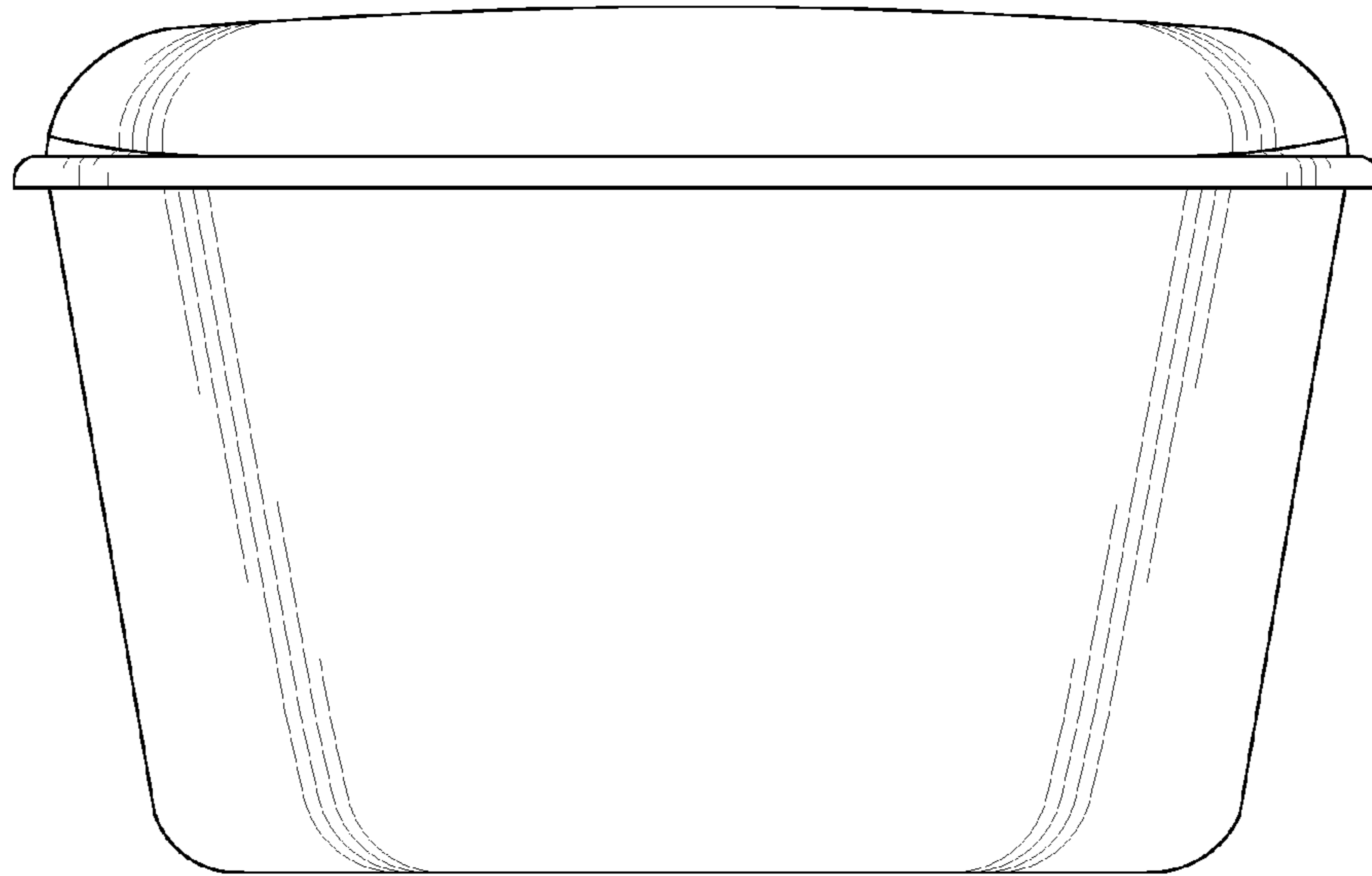


Fig-9

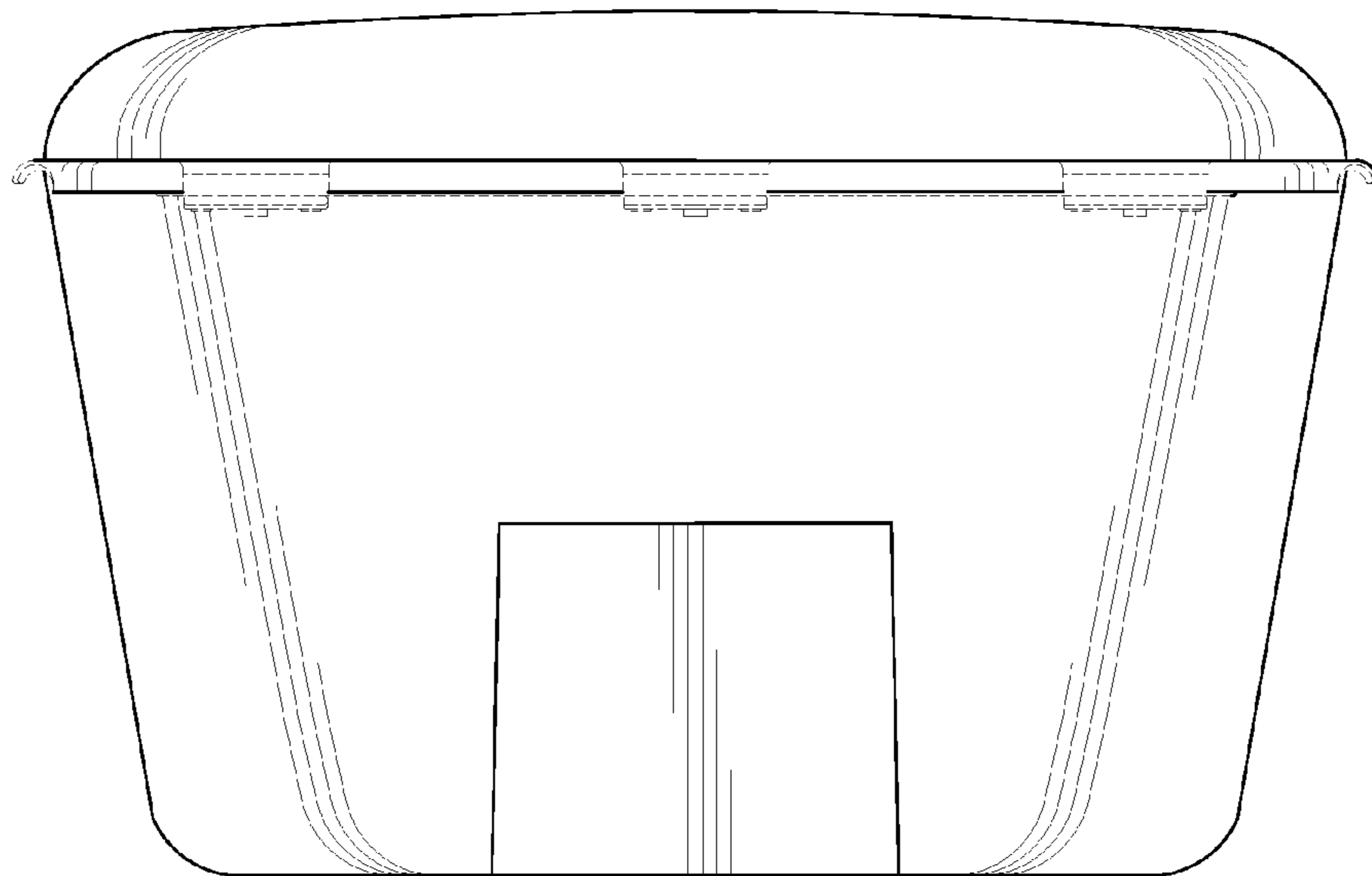


Fig-10