

US00D592908S

(12) **United States Design Patent**
Hamlin

(10) **Patent No.:** **US D592,908 S**

(45) **Date of Patent:** **** May 26, 2009**

(54) **GRIDDLE GRATE**

6,813,994 B2 * 11/2004 Williams 99/426
D532,247 S * 11/2006 Copeland D7/354

(76) Inventor: **Edward W. Hamlin**, 1023 Spring
Garden St., Altamonte Springs, FL (US)
32701

* cited by examiner

Primary Examiner—Caron Veynar

Assistant Examiner—Ricky Pham

(74) *Attorney, Agent, or Firm*—William M. Hobby, III

(**) Term: **14 Years**

(21) Appl. No.: **29/313,759**

(57) **CLAIM**

(22) Filed: **Feb. 9, 2009**

The ornamental design for a griddle grate, as shown and described.

(51) **LOC (9) Cl.** **07-02**

(52) **U.S. Cl.** **D7/409**

(58) **Field of Classification Search** D7/323,
D7/354–363, 388, 390, 402, 404, 407, 409,
D7/554.3, 698; 99/324, 402, 421 A, 421 H,
99/421 HH, 421 R, 422–427, 449–450; 219/443,
219/730, 759, 1; 220/485, 491–494, 500,
220/507, 573.1, 752, 759, 769, 912; 249/53 R
See application file for complete search history.

DESCRIPTION

FIG. 1 is a top, front and left side perspective view of my new griddle grate as viewed on a griddle;

FIG. 2 is a rear side elevation;

FIG. 3 is a right side elevation;

FIG. 4 is a top plan view; and,

FIG. 5 is a bottom plan view.

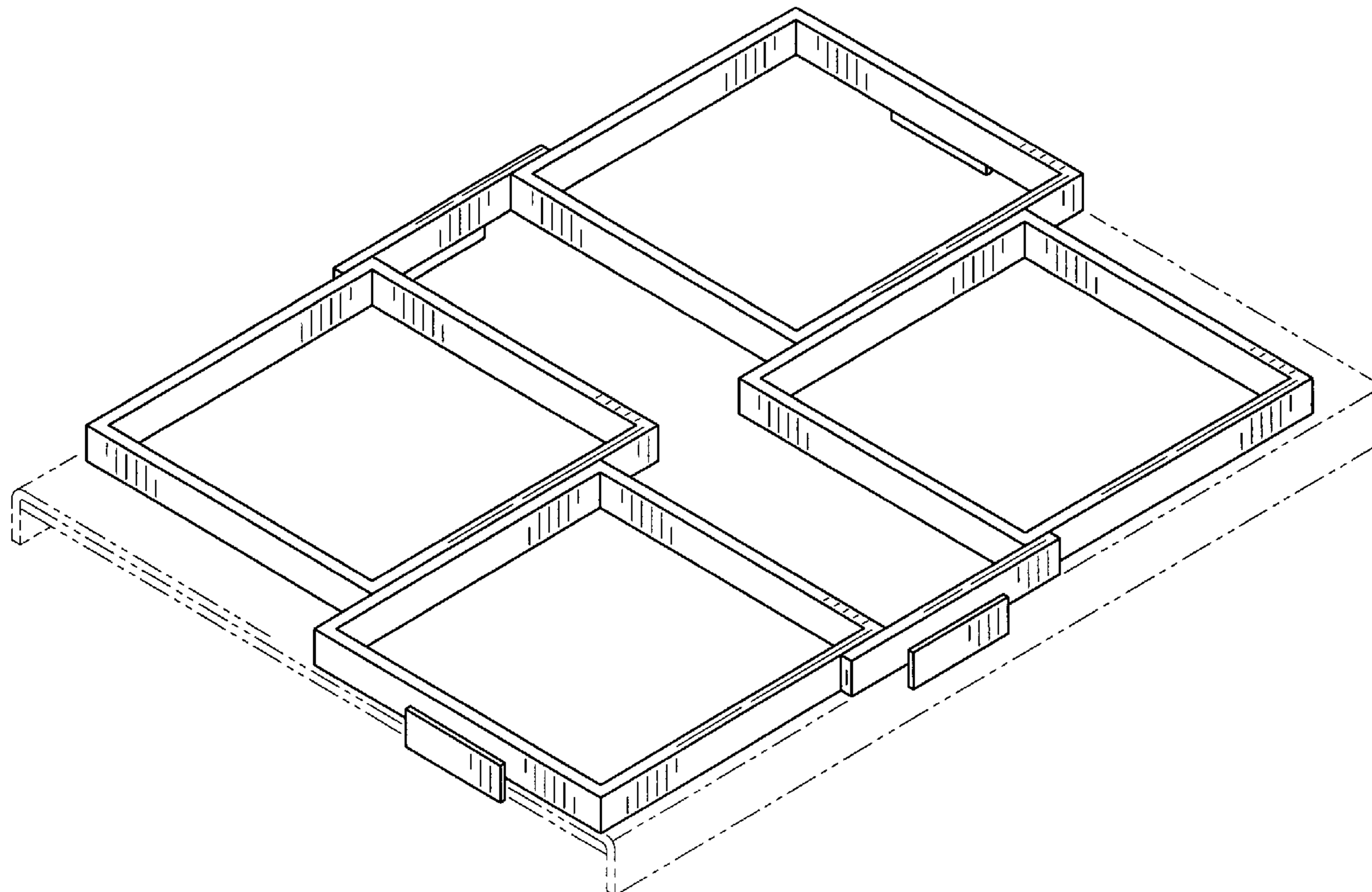
The broken lines showing of a griddle in the figures is for illustrative purposes only and form no part of the claimed design.

(56) **References Cited**

U.S. PATENT DOCUMENTS

D207,406 S * 4/1967 Van Meter D7/357
4,452,419 A * 6/1984 Saleeba 249/53 R
D414,372 S * 9/1999 Fullmer D7/323

1 Claim, 3 Drawing Sheets



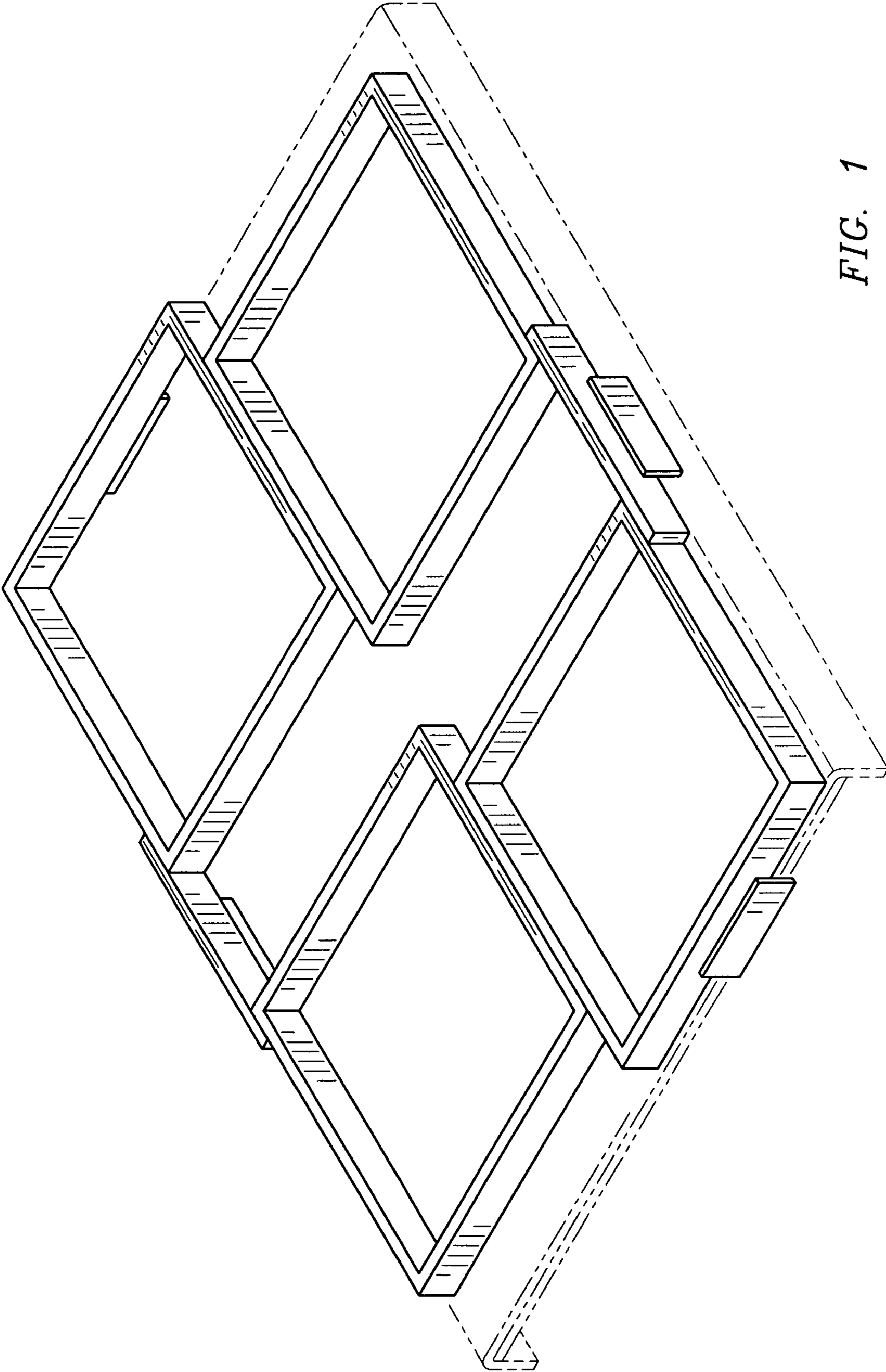


FIG. 1

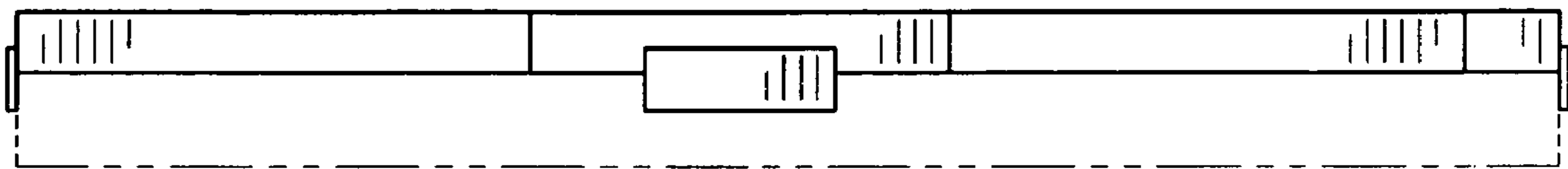


FIG. 2

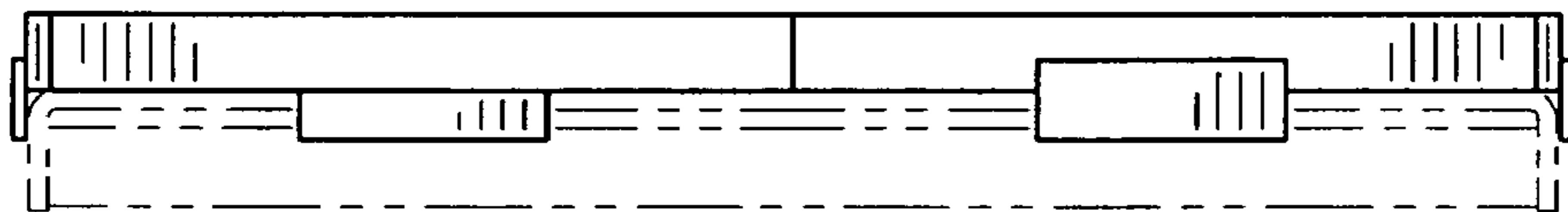


FIG. 3

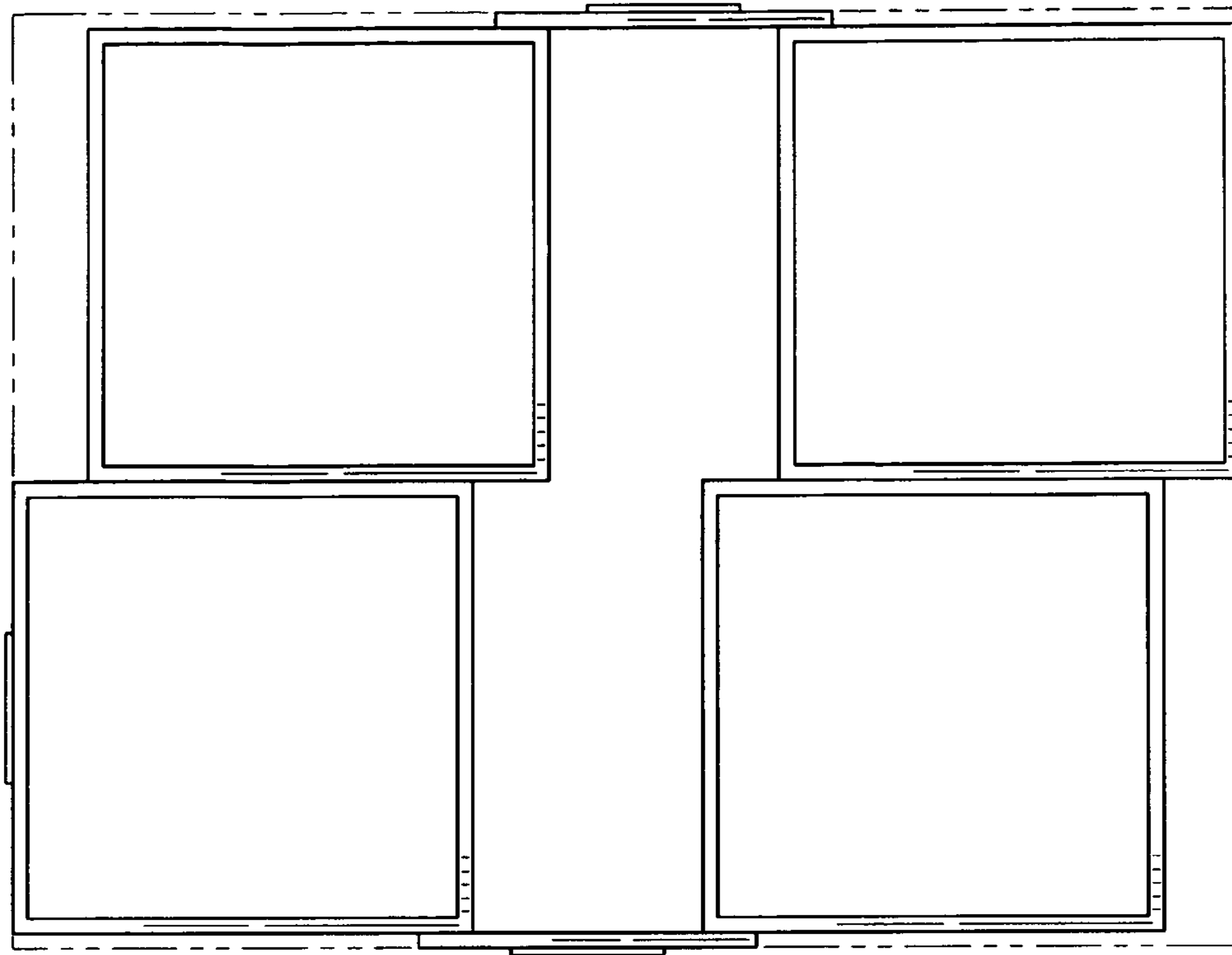


FIG. 4

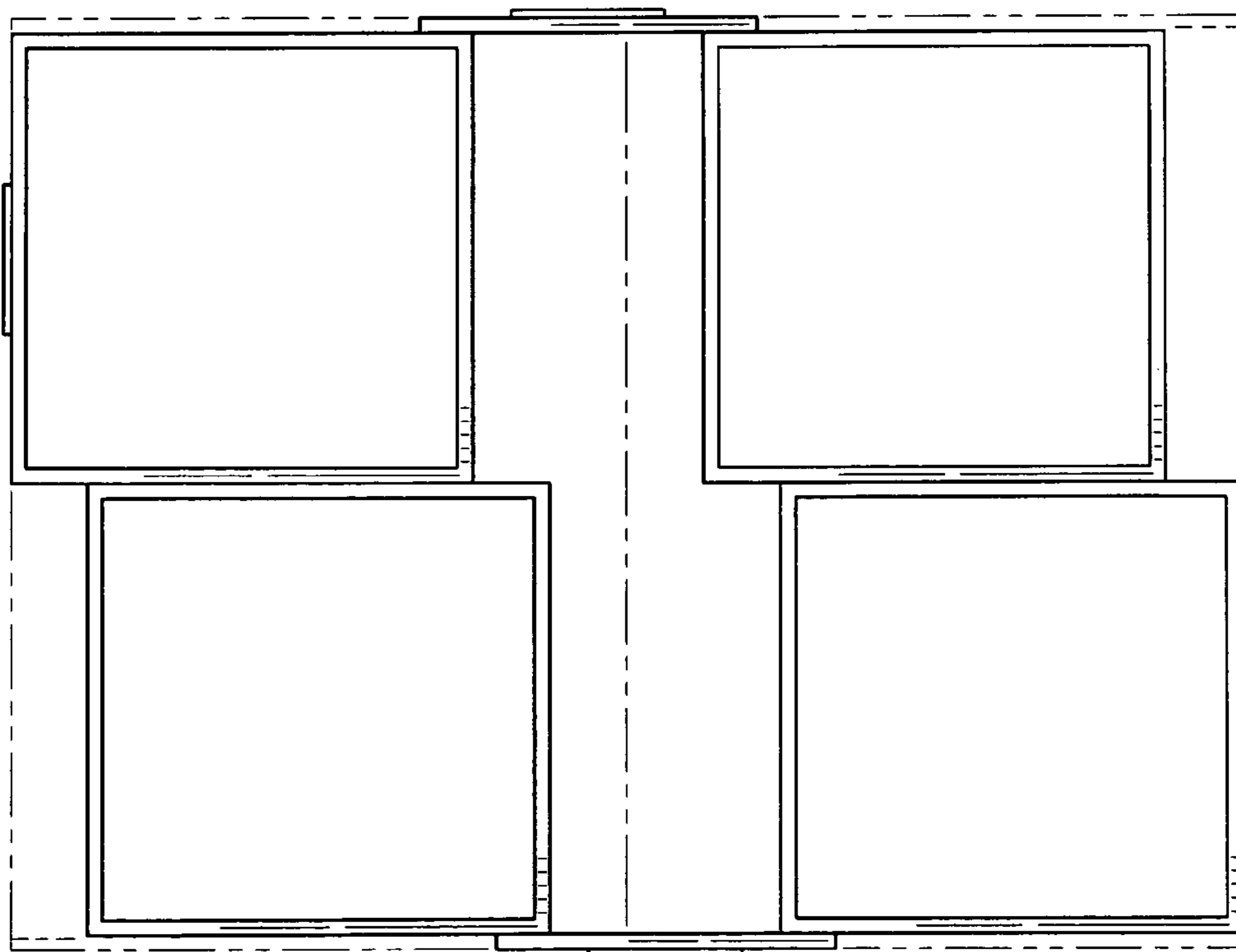


FIG. 5