

US00D592903S

(12) **United States Design Patent**  
**Olson et al.**

(10) **Patent No.:** **US D592,903 S**

(45) **Date of Patent:** **\*\* May 26, 2009**

(54) **BLENDER**

(75) Inventors: **John Olson**, Chicago, IL (US); **Dan W. Althelmer**, Milwaukee, WI (US); **Ernie Pryor**, Maidens, VA (US)

(73) Assignee: **Hamilton Beach Brands, Inc.**, Glen Allen, VA (US)

(\*\*) Term: **14 Years**

(21) Appl. No.: **29/295,977**

(22) Filed: **Oct. 11, 2007**

**Related U.S. Application Data**

(62) Division of application No. 29/277,656, filed on Mar. 5, 2007, now Pat. No. Des. 557,976.

(51) **LOC (9) Cl.** ..... **31-00**

(52) **U.S. Cl.** ..... **D7/378; D7/376; D7/377; D7/384**

(58) **Field of Classification Search** ..... D7/306-313, D7/317-318, 326, 356, 376-386, 392, 397-399, D7/412-415, 607, 665; 99/348, 509-511; 241/274-278.2, 285.1-285.3, 291, 292.1; 366/64-67, 98, 192, 197-211, 205-206, 366/241-254, 279-292, 341-343

See application file for complete search history.

(56) **References Cited**

**U.S. PATENT DOCUMENTS**

D228,698 S \* 10/1973 William ..... D7/378  
5,957,577 A \* 9/1999 Dickson et al. .... 366/197

D432,864 S \* 10/2000 Kindig et al. .... D7/412

D466,761 S \* 12/2002 Baerenrodt et al. .... D7/378

D557,976 S \* 12/2007 Olson et al. .... D7/378

D560,963 S \* 2/2008 Altheimer et al. .... D7/378

\* cited by examiner

*Primary Examiner*—Caron Veynar

*Assistant Examiner*—Ricky Pham

(74) *Attorney, Agent, or Firm*—Thomas, Raring & Teague, P.C.

(57) **CLAIM**

The ornamental design for a blender, as shown and described.

**DESCRIPTION**

FIG. 1 is a perspective view as seen from the top, front and right side of a blender showing the new design;

FIG. 2 is a front view thereof;

FIG. 3 is a rear view thereof;

FIG. 4 is a right side view thereof;

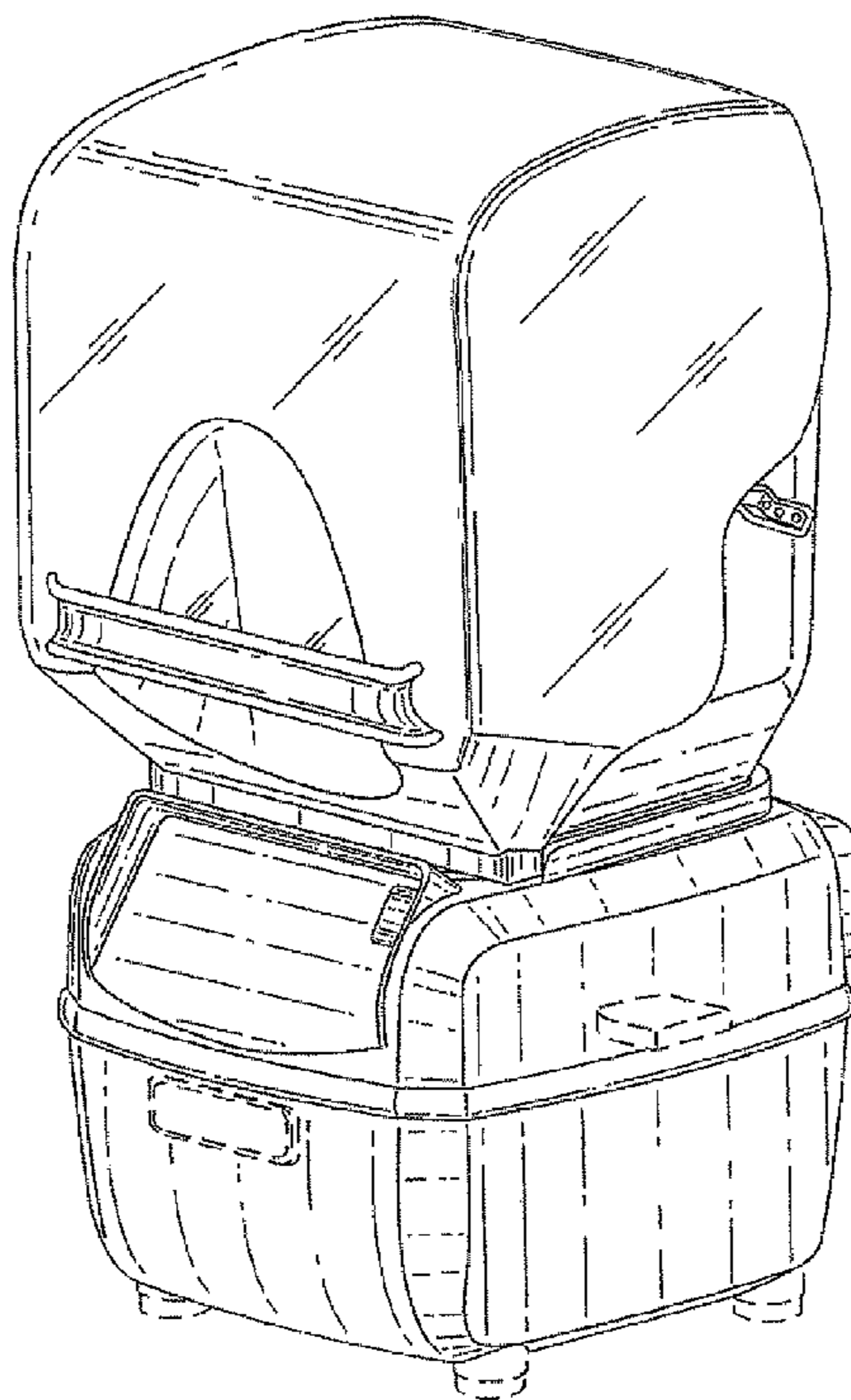
FIG. 5 is a left side view thereof;

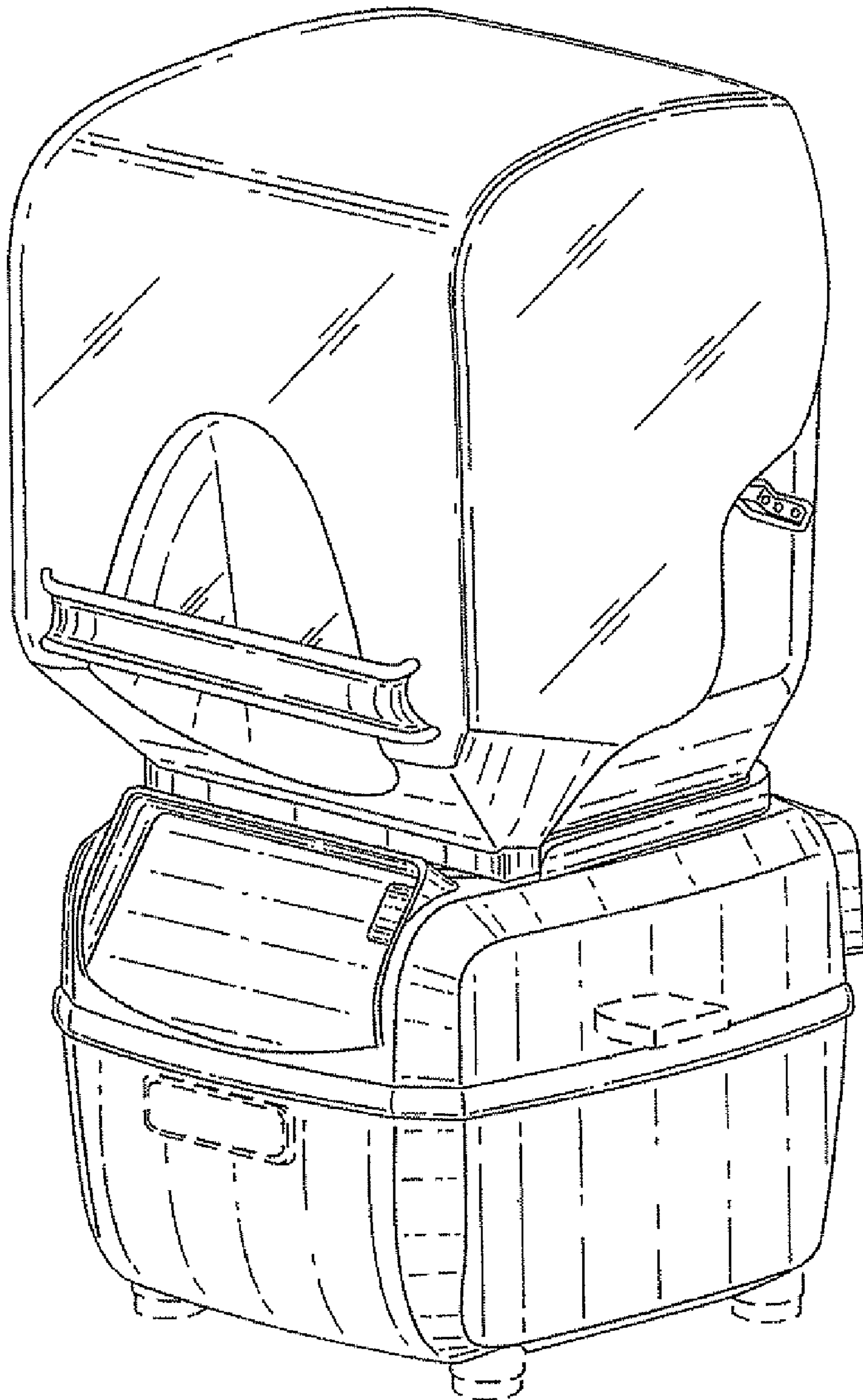
FIG. 6 is a top view thereof; and,

FIG. 7 is a bottom view thereof.

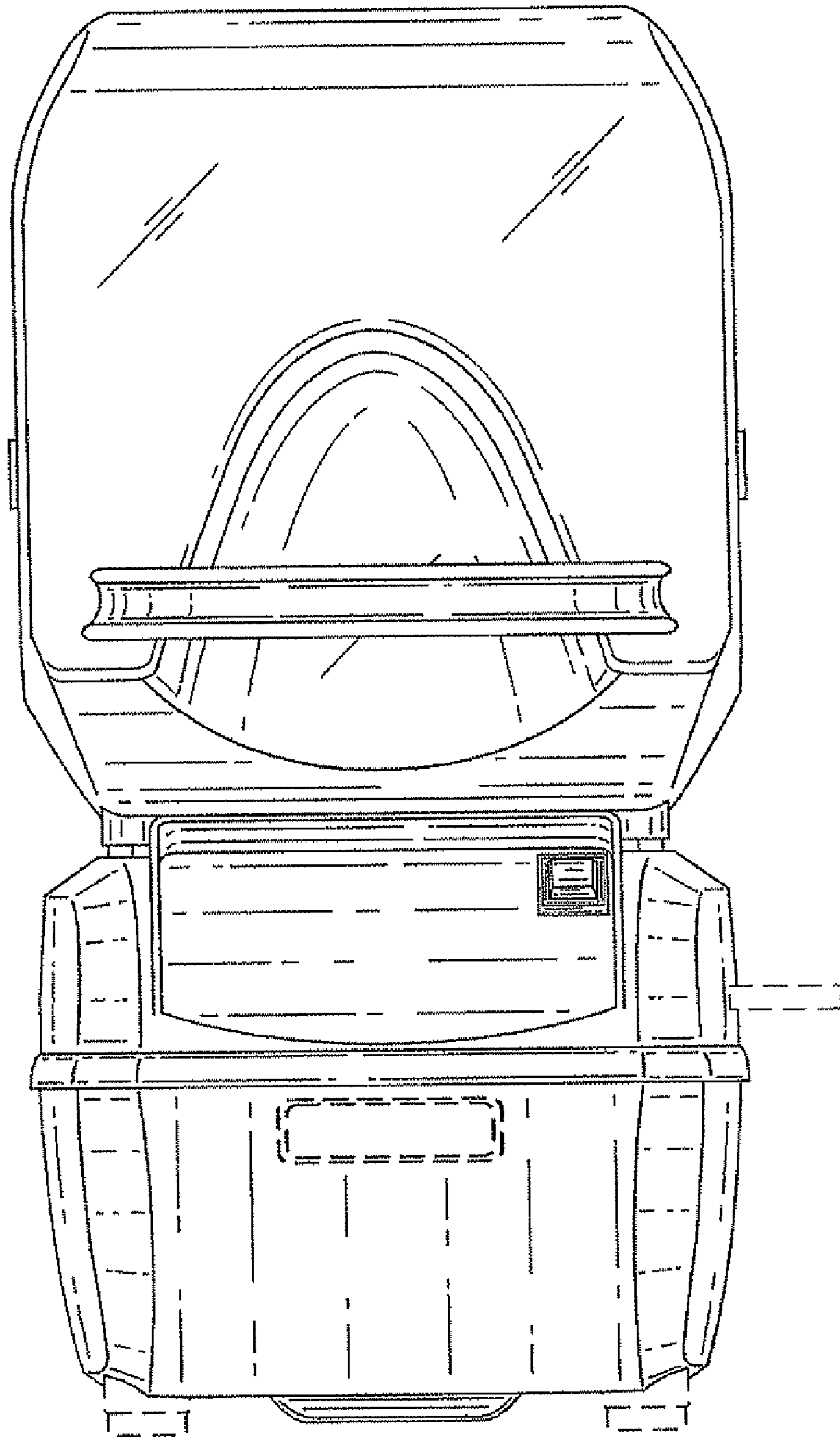
The broken lines shown in the drawings are for illustrative purposes only and form no part of the claimed design.

**1 Claim, 7 Drawing Sheets**

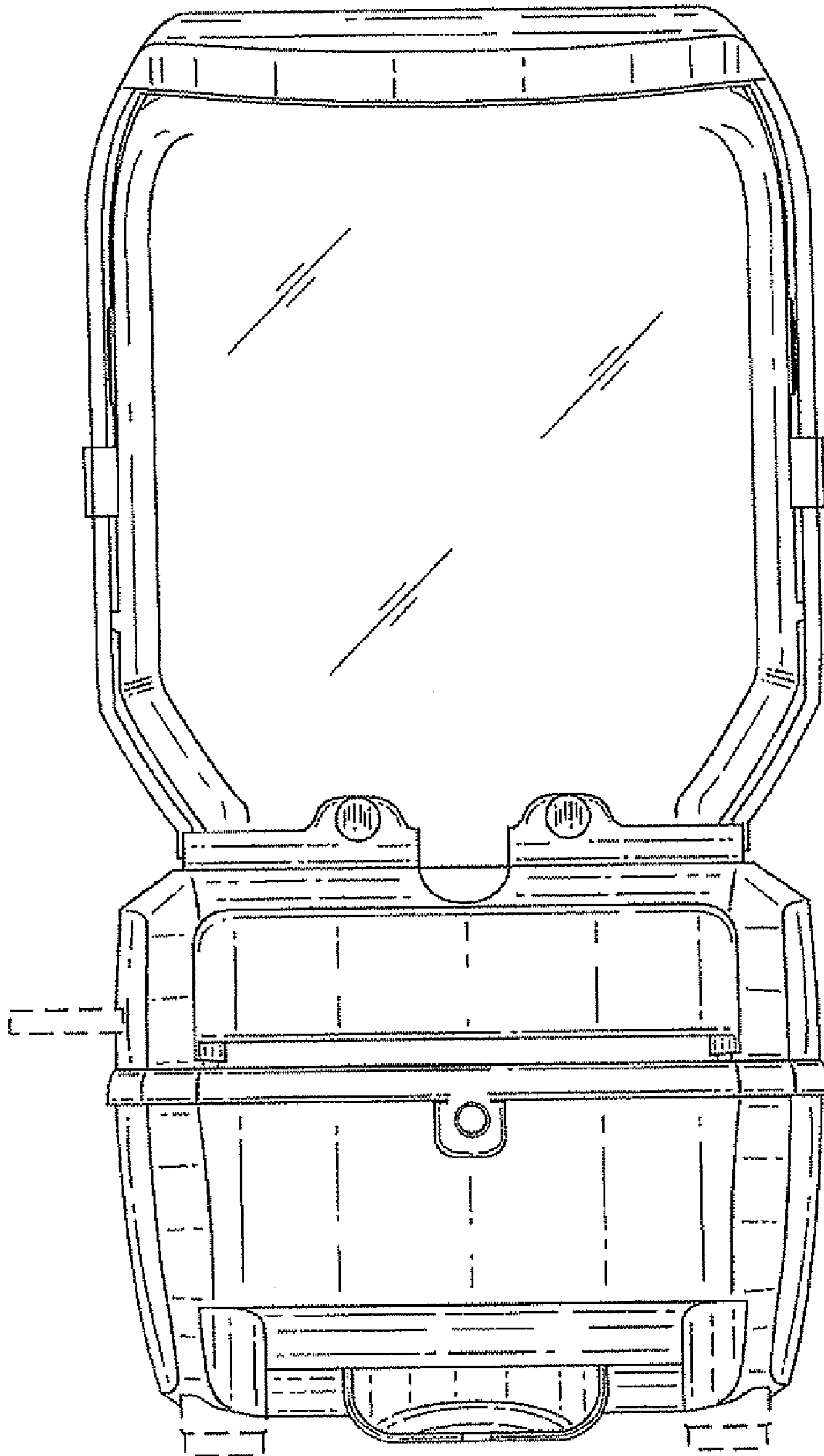




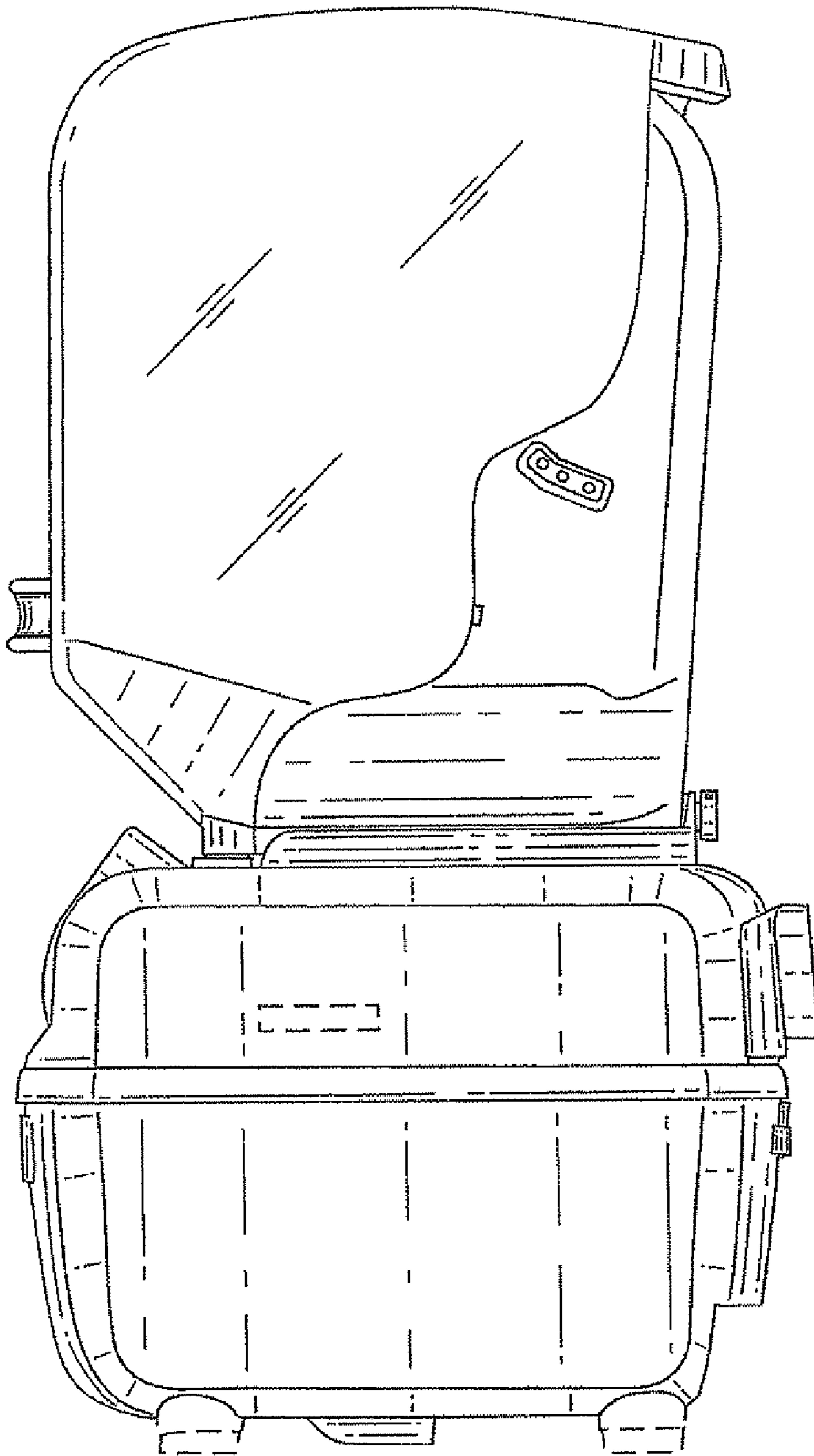
**FIG. 1**



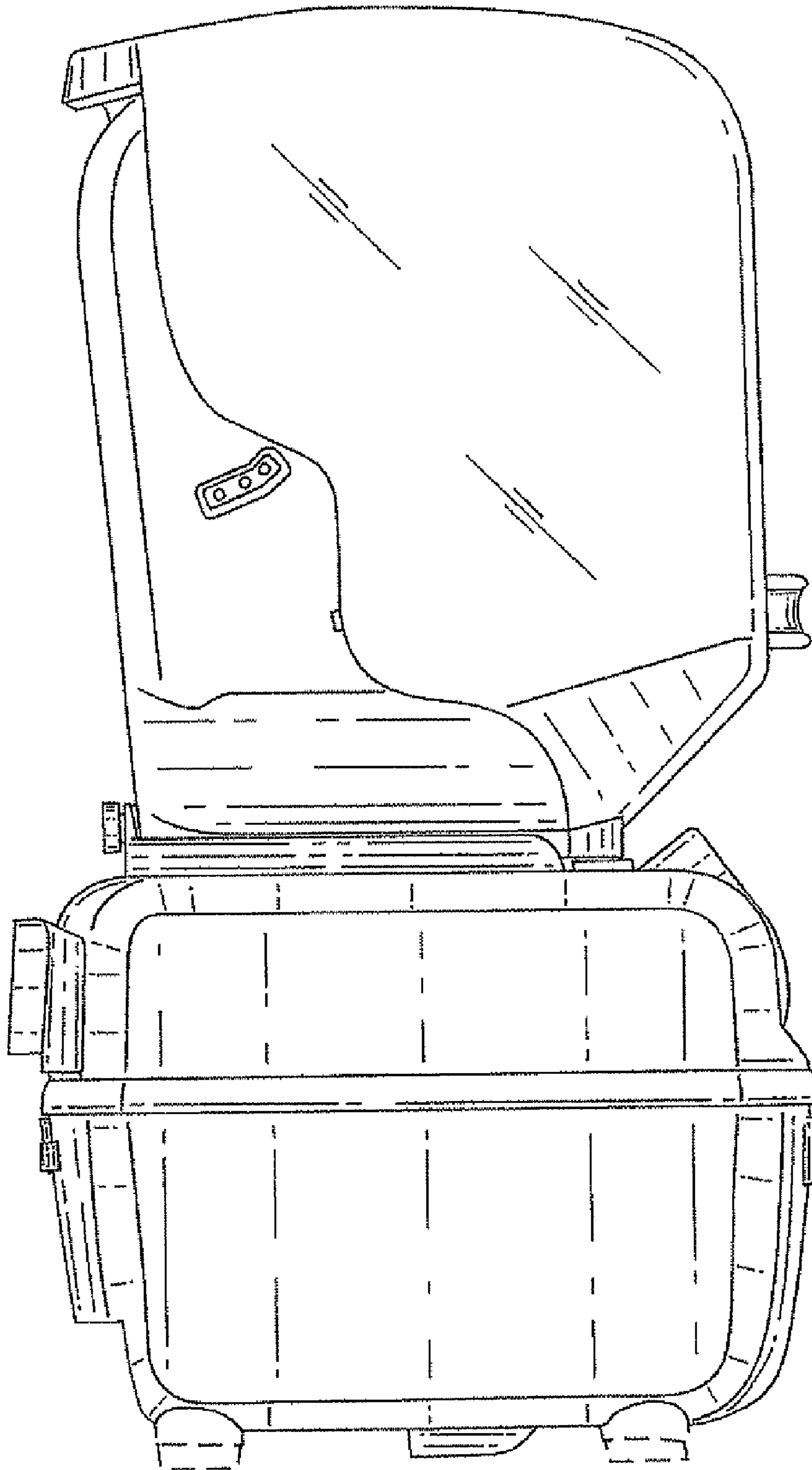
**FIG. 2**



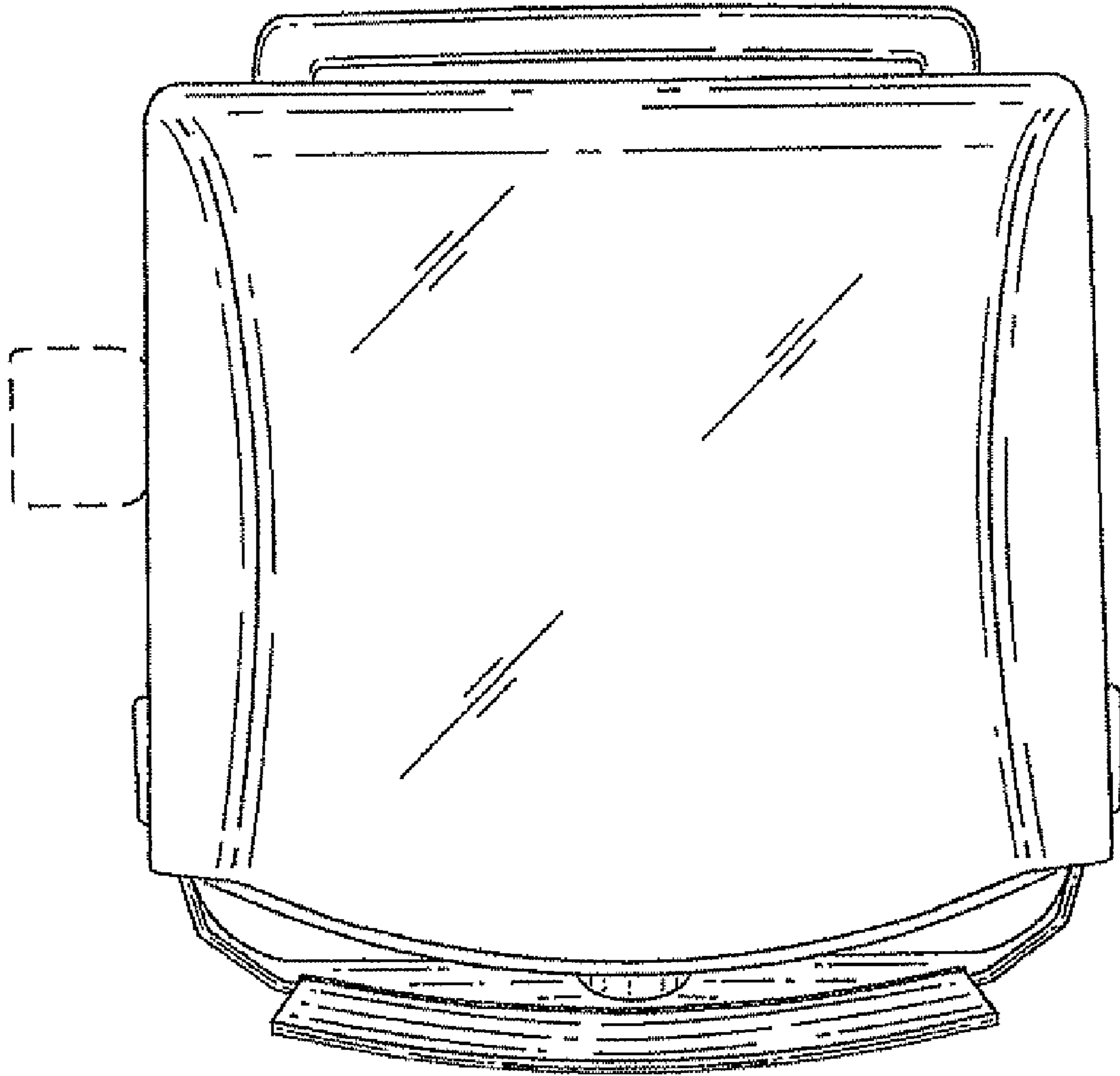
**FIG. 3**



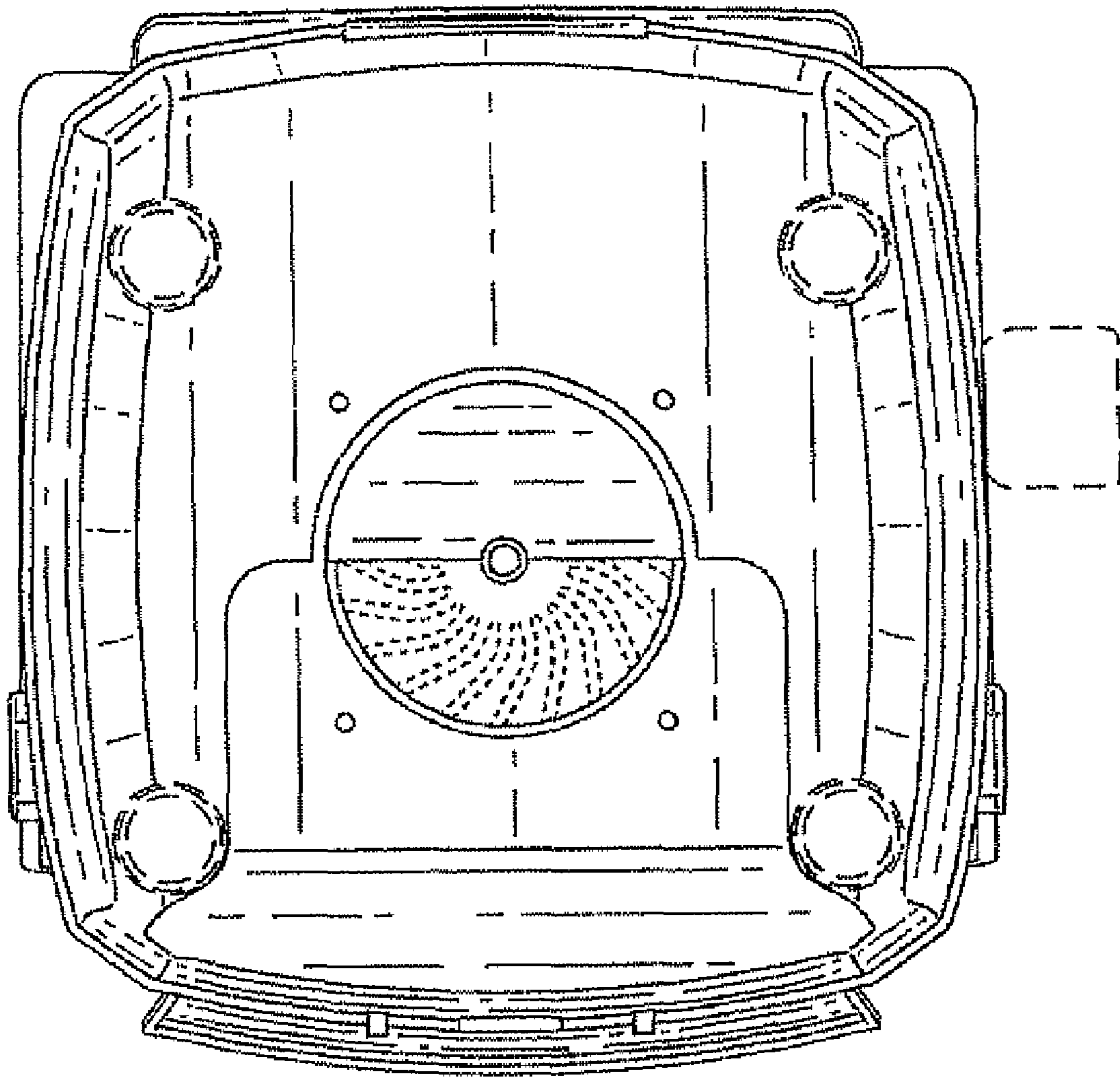
**FIG. 4**



**FIG. 5**



**FIG. 6**



**FIG. 7**