



US00D592902S

(12) **United States Design Patent**
Currie

(10) **Patent No.:** **US D592,902 S**

(45) **Date of Patent:** **** May 26, 2009**

(54) **ELECTRIC COOKER**

(75) Inventor: **Neil Anthony Currie,**
Stourport-on-Severn (GB)

(73) Assignee: **3rd Angle (U.K.) Ltd.,** Highley,
Shropshire, WV (GB)

(**) Term: **14 Years**

(21) Appl. No.: **29/321,544**

(22) Filed: **Jul. 18, 2008**

(30) **Foreign Application Priority Data**

Jan. 21, 2008 (EM) RCD 000862610

(51) **LOC (9) Cl.** **07-02**

(52) **U.S. Cl.** **D7/355**

(58) **Field of Classification Search** D7/323,
D7/332, 352-361, 365, 378-379, 383-384,
D7/391-396.1, 402, 542-543, 545, 667;
D21/525; 99/140 R, 337, 340, 345, 403,
99/422, 425, 445; 206/505; 219/438-442,
219/620-622, 725-730; 220/203.01, 573.1-574,
220/769, 912

See application file for complete search history.

(56) **References Cited**

U.S. PATENT DOCUMENTS

D172,552 S * 7/1954 Perl et al. D7/360

D436,287 S * 1/2001 Choi D7/360
D479,432 S * 9/2003 Barker D7/360
6,796,430 B2 * 9/2004 Mercier et al. 206/505
D520,806 S * 5/2006 Ryan D7/354
D536,210 S * 2/2007 Yeung D7/356
D566,457 S * 4/2008 Ryan D7/360
D577,247 S * 9/2008 Barnes et al. D7/354

* cited by examiner

Primary Examiner—Caron Veynar

Assistant Examiner—Ricky Pham

(74) *Attorney, Agent, or Firm*—Kusner & Jaffe

(57) **CLAIM**

The ornamental design for an electric cooker, as shown.

DESCRIPTION

FIG. 1 is a perspective view of an electric cooker showing my new design;

FIG. 2 is a left side elevational view thereof;

FIG. 3 is a right side elevational view thereof;

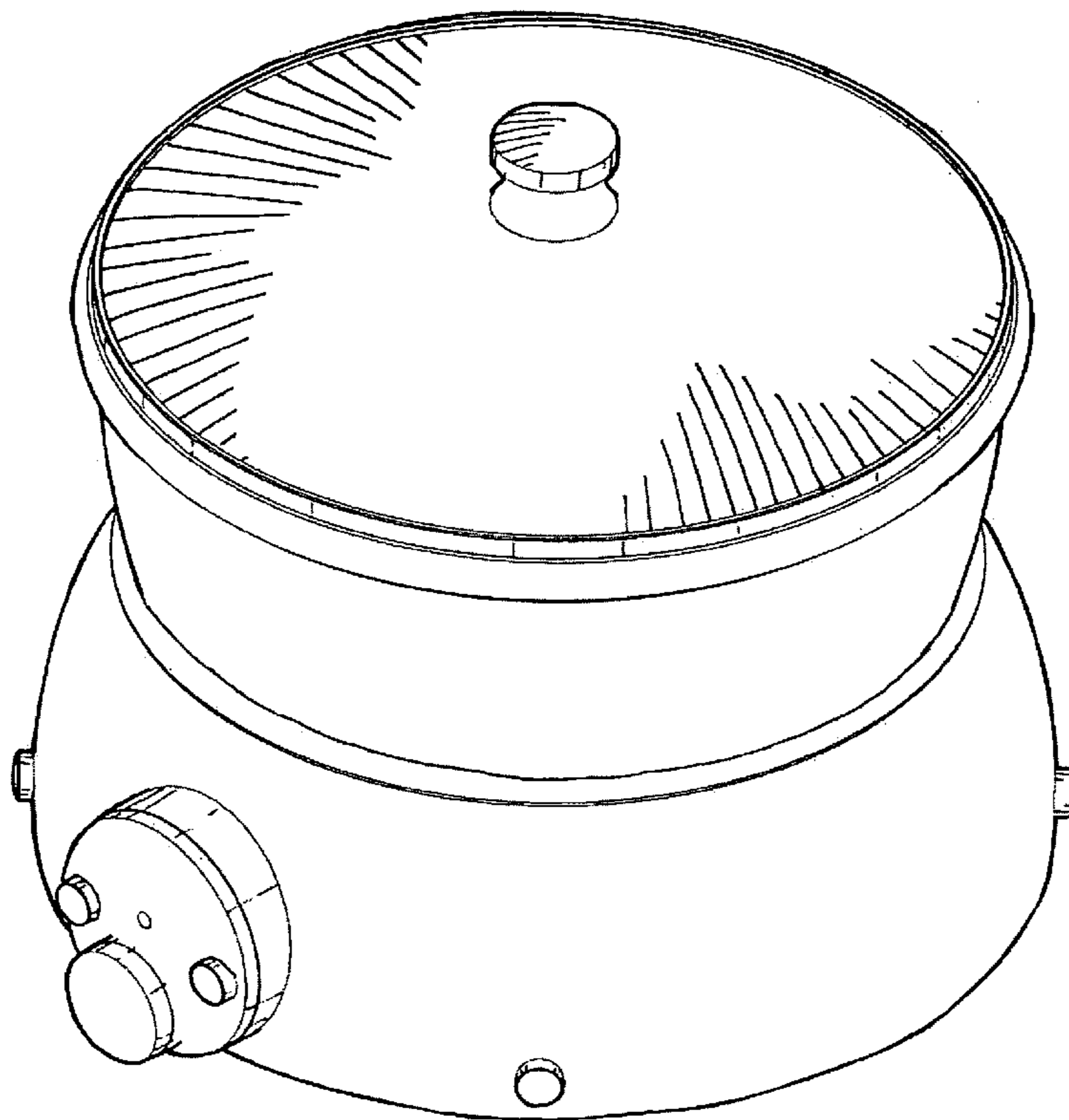
FIG. 4 is a front elevational view thereof;

FIG. 5 is a rear elevational view thereof;

FIG. 6 is a top plan view thereof; and,

FIG. 7 is a bottom plan view thereof.

1 Claim, 7 Drawing Sheets



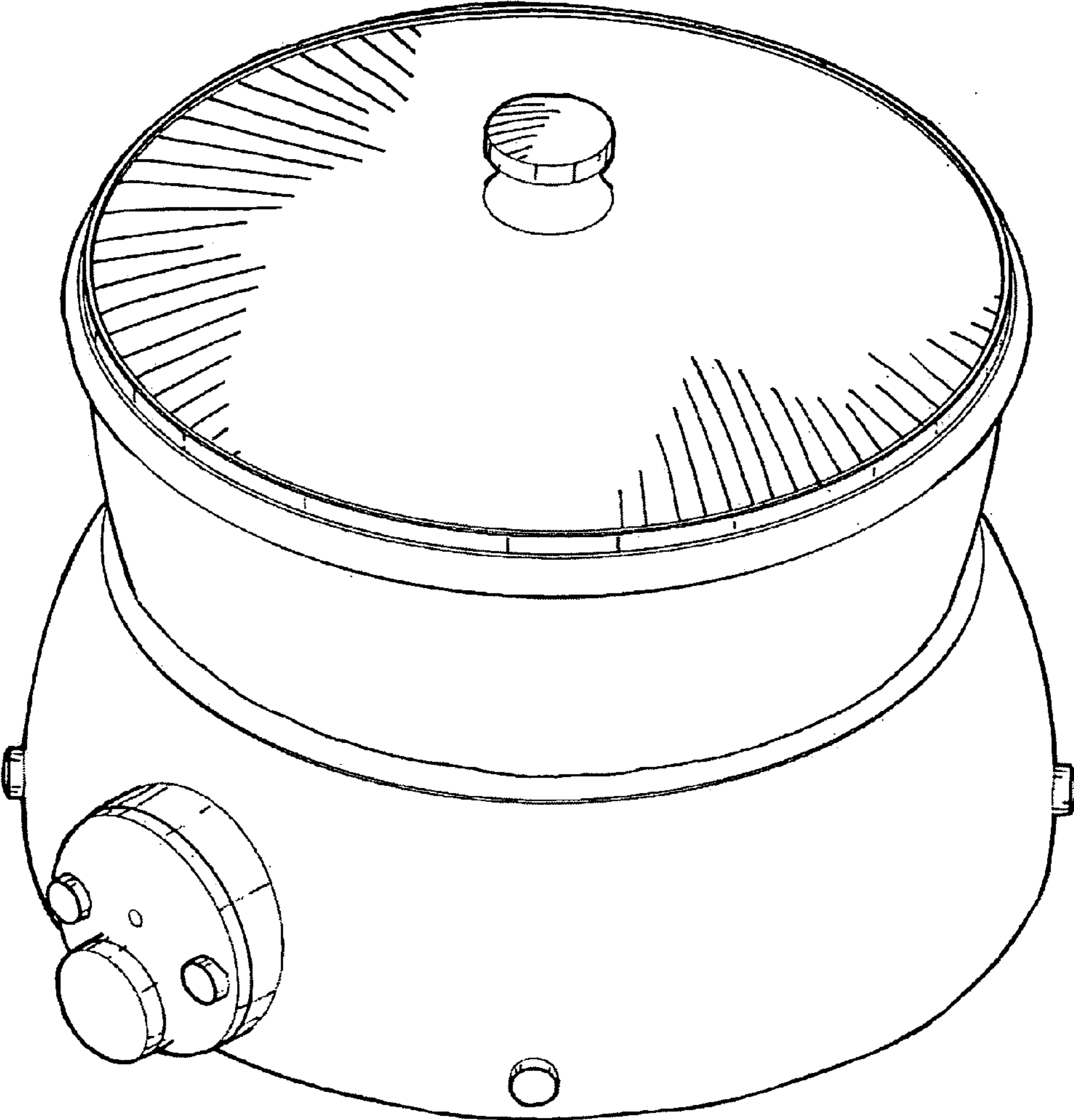


FIG. 1

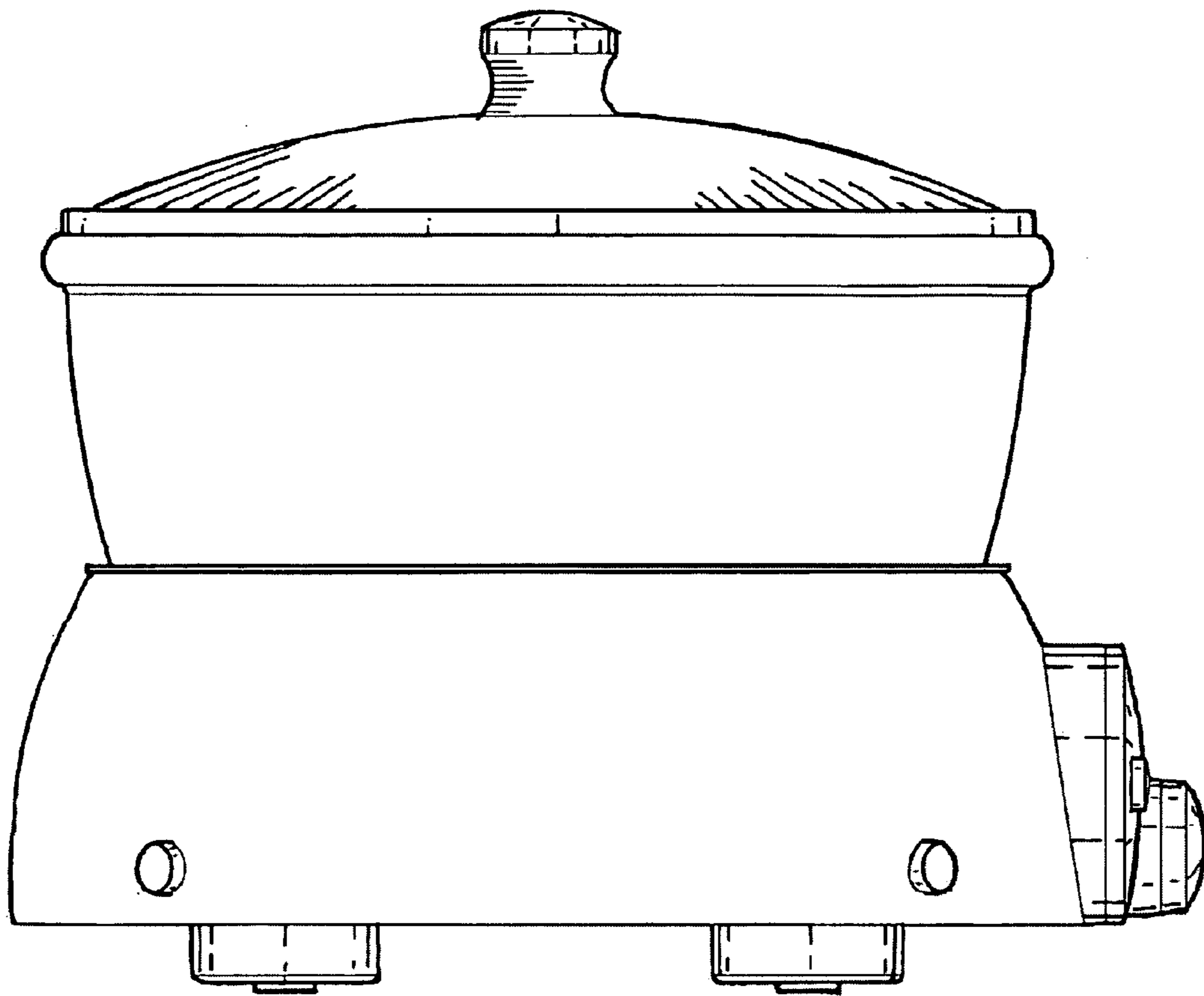


FIG. 2

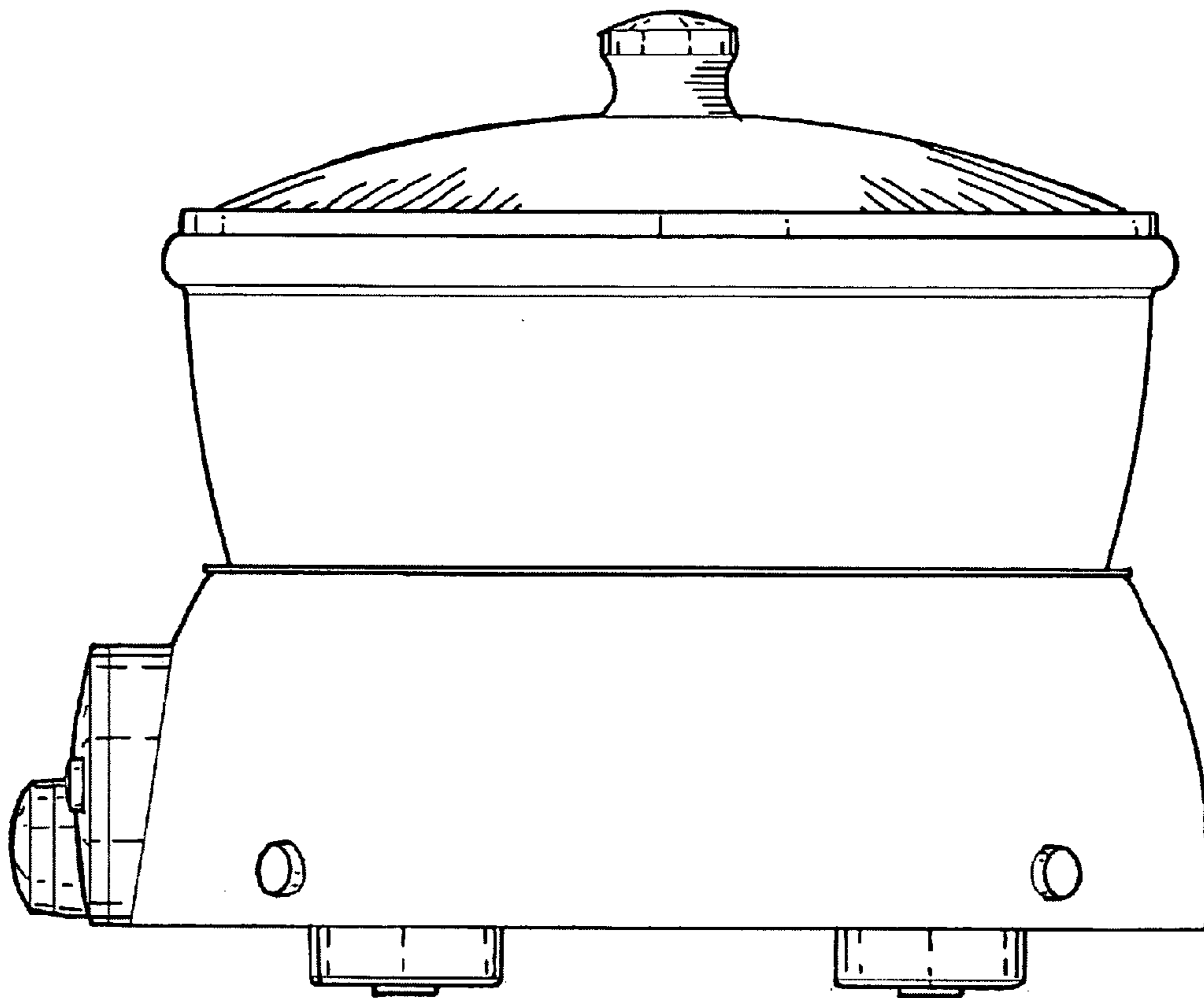


FIG. 3

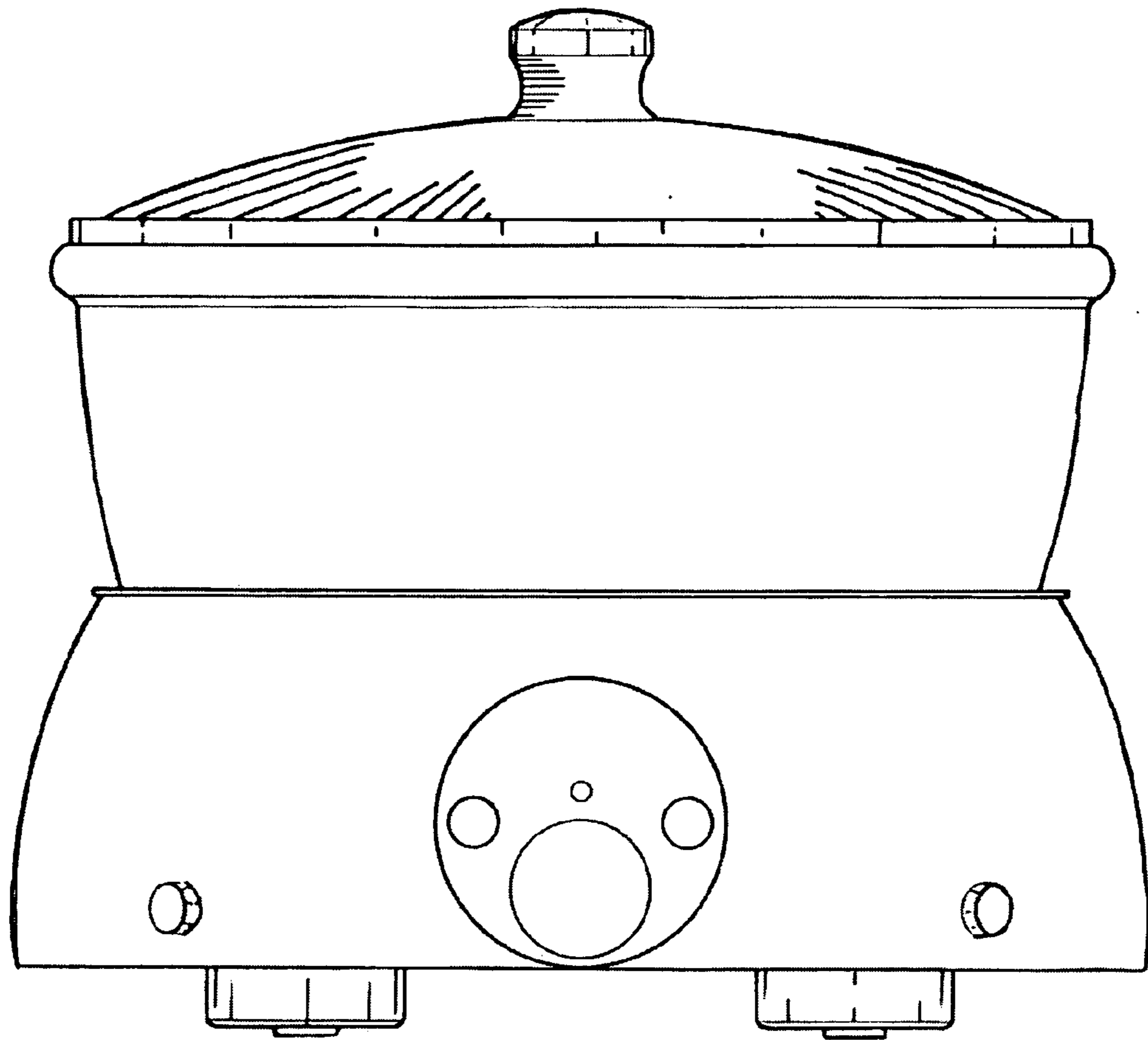


FIG. 4

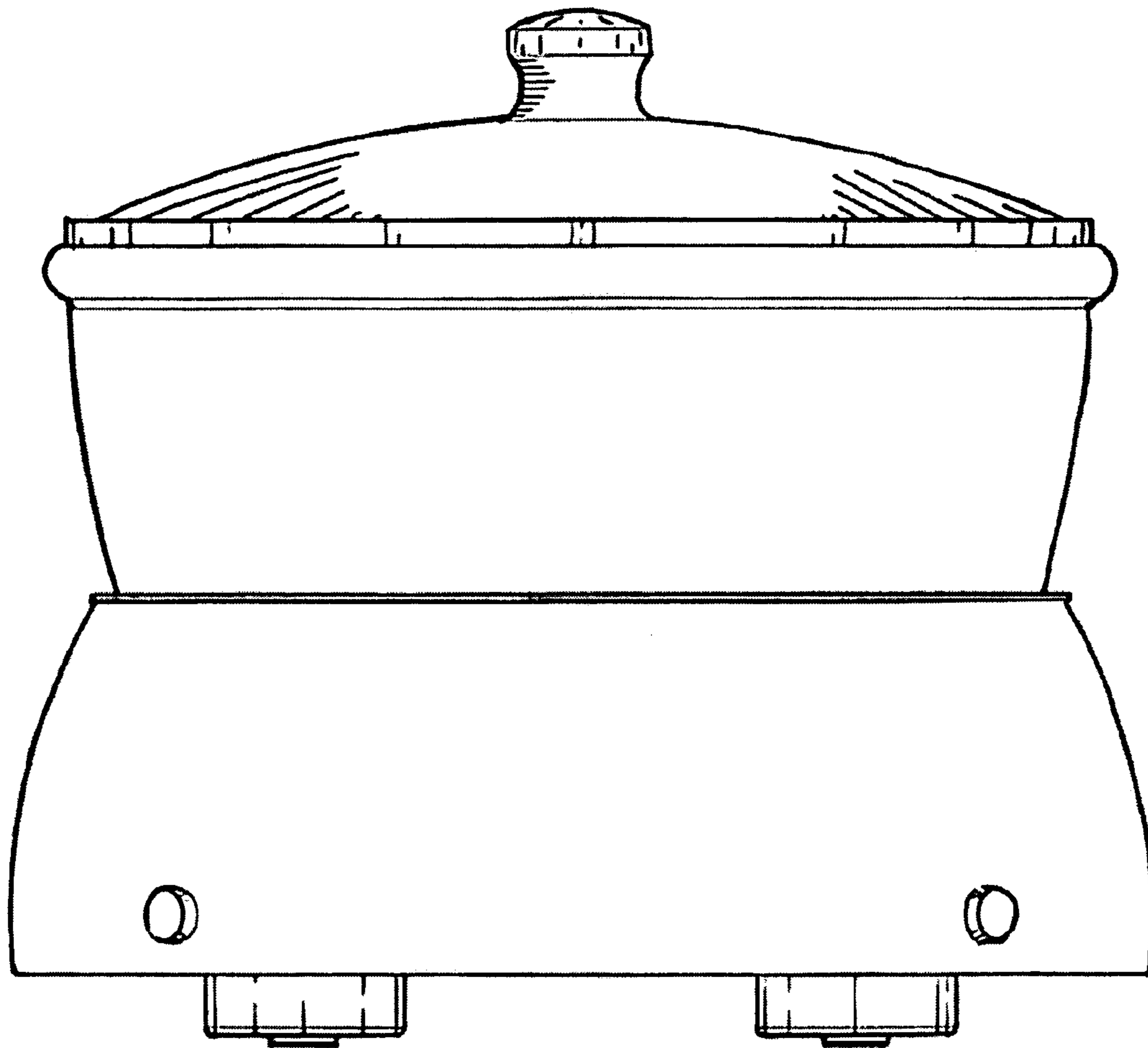


FIG. 5

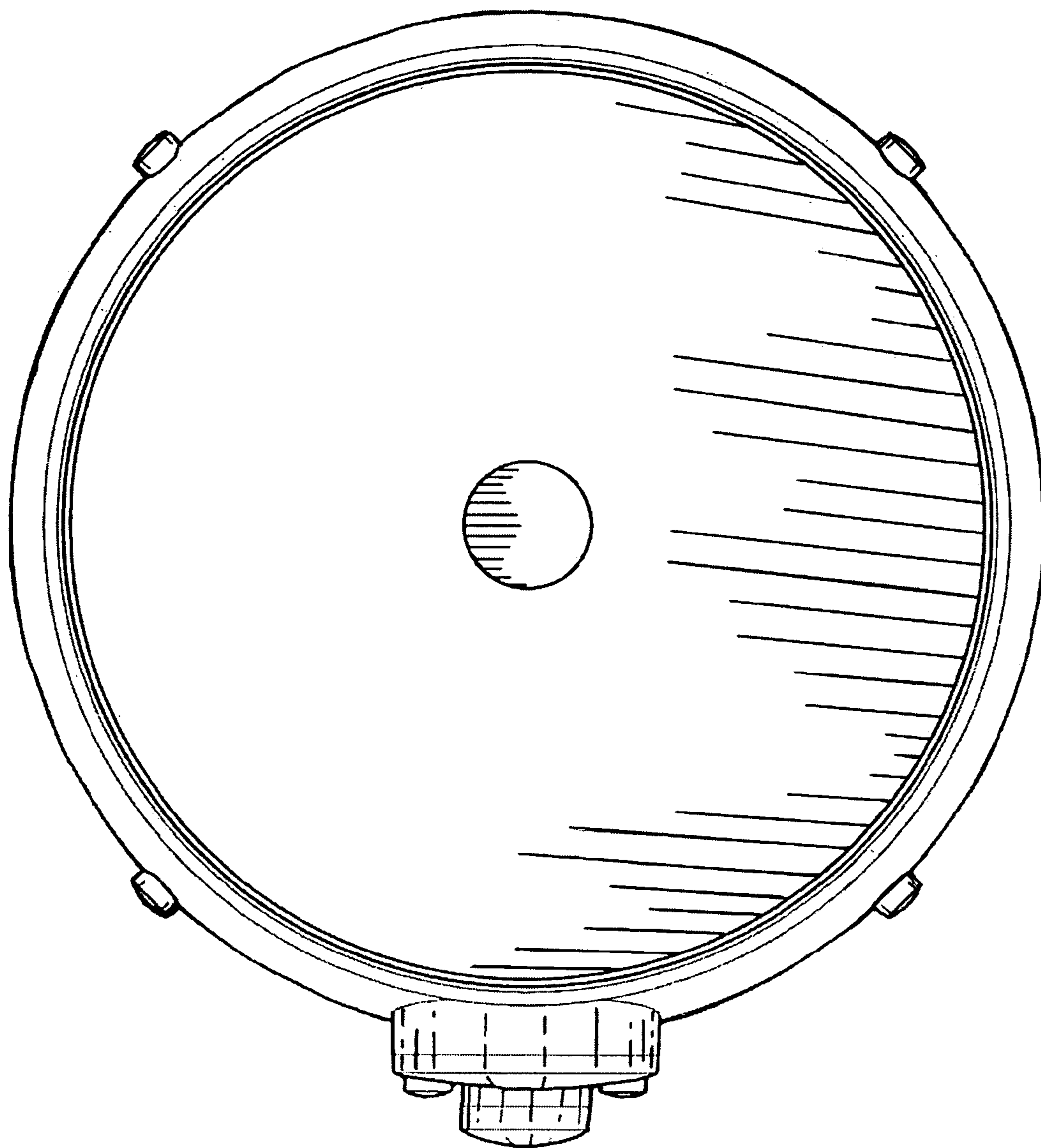


FIG. 6

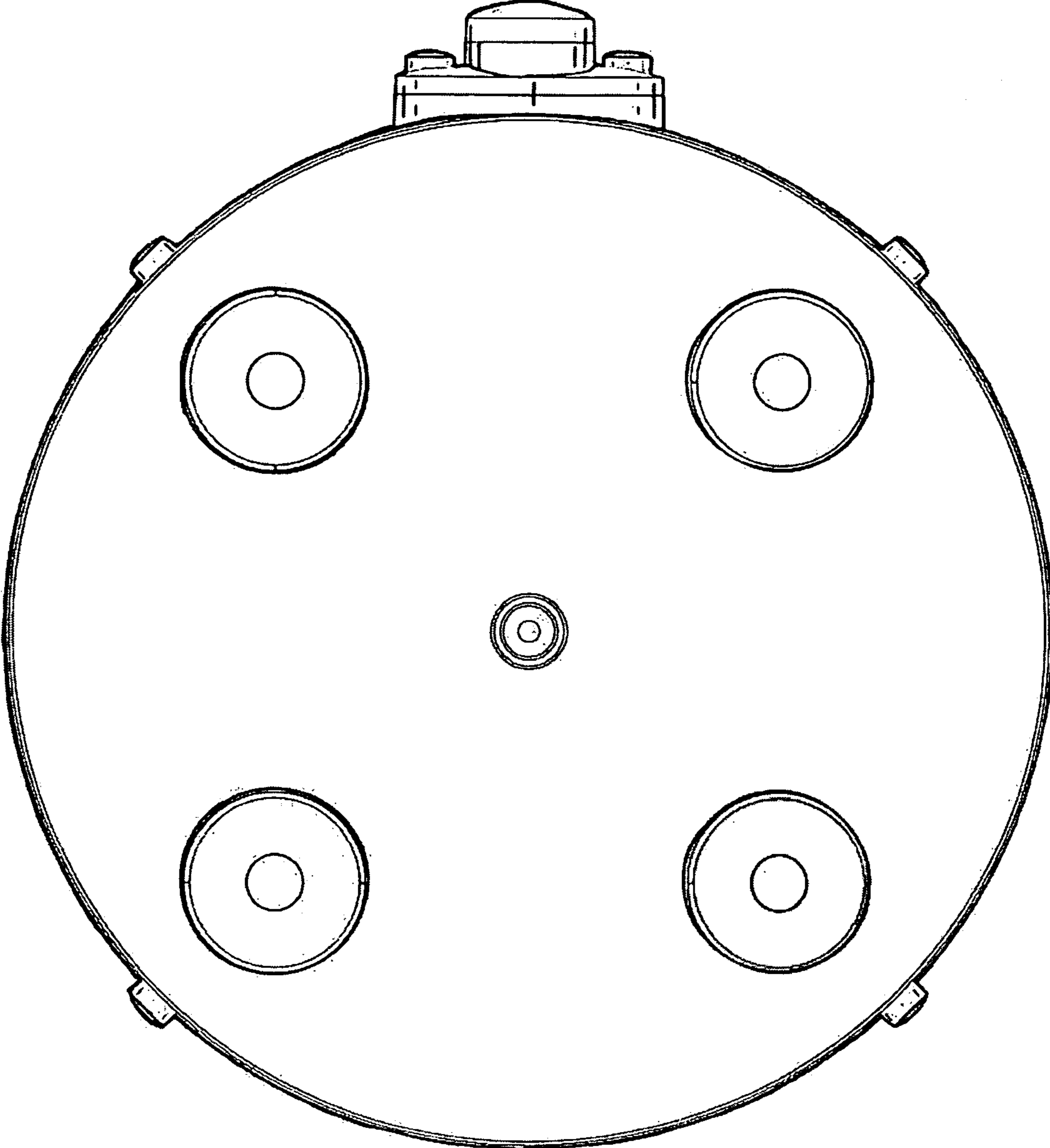


FIG. 7