



US00D592901S

(12) **United States Design Patent**
Speh

(10) **Patent No.:** **US D592,901 S**

(45) **Date of Patent:** **** May 26, 2009**

(54) **COFFEE MACHINE**

(75) Inventor: **Christoph Speh**, Mülheim an der Ruhr
(DE)

(73) Assignee: **WIK Far East, Ltd.**, North Point, Hong
Kong (CN)

(**) Term: **14 Years**

(21) Appl. No.: **29/320,114**

(22) Filed: **Jun. 20, 2008**

Related U.S. Application Data

(62) Division of application No. 29/226,067, filed on Mar.
23, 2005, now Pat. No. Des. 528,845.

(51) **LOC (9) Cl.** **07-01**

(52) **U.S. Cl.** **D7/309; D7/311**

(58) **Field of Classification Search** D7/300,
D7/307-308, 309-311; 99/289, 284, 290,
99/279, 299, 287

See application file for complete search history.

(56) **References Cited**

U.S. PATENT DOCUMENTS

3,327,615	A	6/1967	Swan	
4,644,856	A	2/1987	Borgmann	
D360,555	S *	7/1995	Gil De Miguel D7/309
D385,455	S	10/1997	Cortese	
D390,060	S	2/1998	Seiffert	
D396,987	S *	8/1998	Seiffert D7/309
D400,046	S *	10/1998	Seiffert D7/309
D413,757	S *	9/1999	Viguer Munoz D7/309
D417,118	S *	11/1999	Pomeroy D7/306
D424,361	S	5/2000	Kuboyama	
D444,986	S	7/2001	Smith et al.	
D449,198	S	10/2001	Cahen	
D481,580	S *	11/2003	Daniels et al. D7/309
D481,901	S *	11/2003	Daniels et al. D7/309
D486,345	S *	2/2004	Schwamkrug D7/309

D486,346	S	2/2004	Jonsson	
D495,189	S	8/2004	Cahen	
D505,821	S *	6/2005	Liebe et al. D7/305
6,901,846	B2 *	6/2005	Ruckstuhl 99/287
D520,300	S *	5/2006	Bruttin D7/309
D528,845	S	9/2006	Zimmermann	
D552,915	S *	10/2007	Yeh D7/309
D562,617	S *	2/2008	Liebe D7/309
D563,143	S *	3/2008	Tonelli D7/306
2004/0118296	A1 *	6/2004	Ruckstuhl 99/279

OTHER PUBLICATIONS

U.S. Appl. No. 29/320,722 filed Jul. 2, 2008; Inventor: Dirk Hagen
Zimmermann. Copy not provided as application is available in IFW
system per 37 CFR 1.98(a)(2)(iii).

U.S. Appl. No. 29/320,723 filed Jul. 2, 2008; Inventor: Dirk Hagen
Zimmermann. Copy not provided as application is available in IFW
system per 37 CFR 1.98(a)(2)(iii).

* cited by examiner

Primary Examiner—Marianne Pandozzi

(74) *Attorney, Agent, or Firm*—Margaret Polson; Polson &
Associates

(57) **CLAIM**

The ornamental design for a coffee machine, as shown and
described.

DESCRIPTION

FIG. 1 is a front perspective view of my new design for a
coffee machine.

FIG. 2 is a front side elevation view

FIG. 3 is a back side elevation view of FIG. 1.

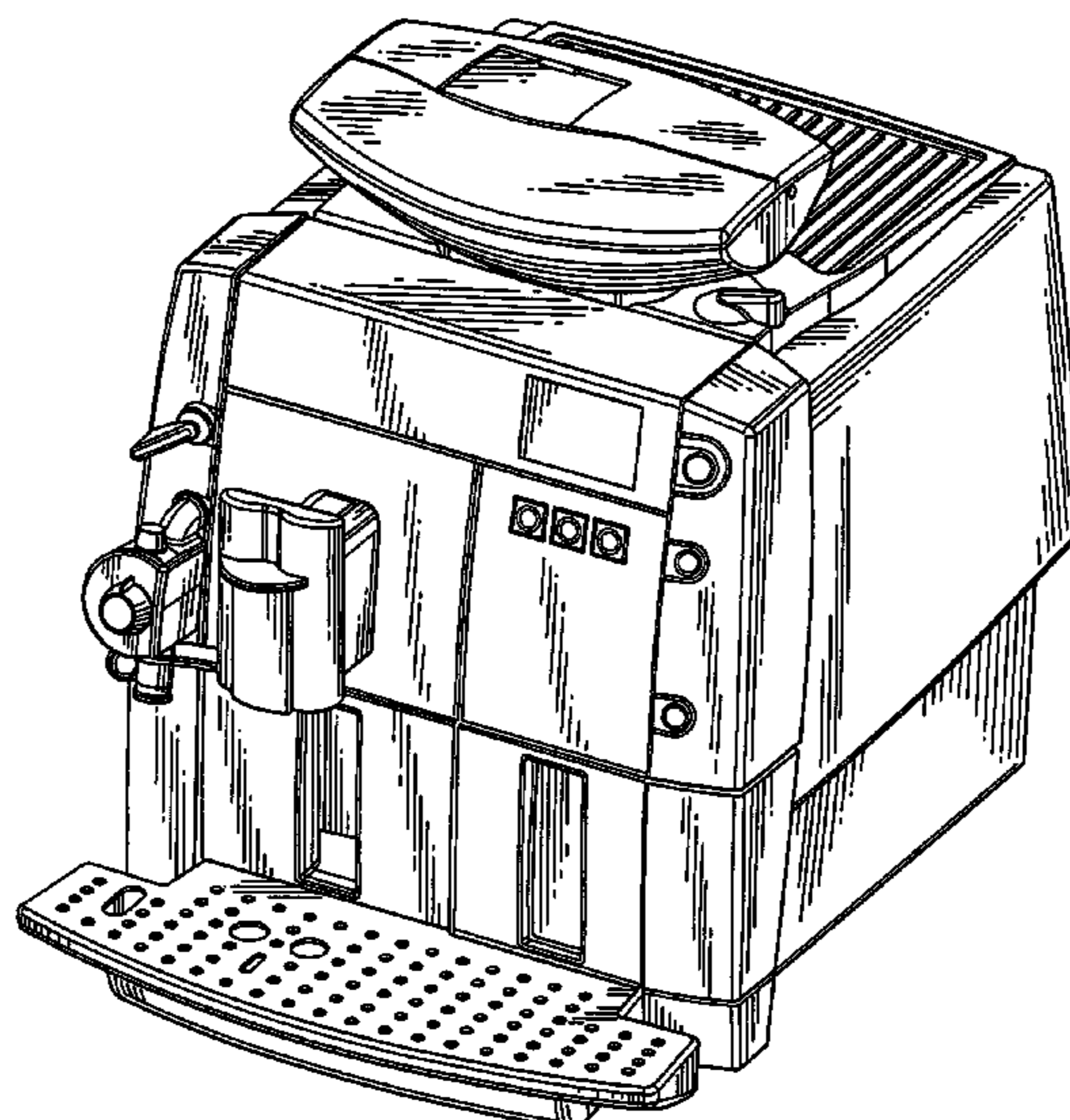
FIG. 4 is a right side elevation view of FIG. 1.

FIG. 5 is a left side elevation view of FIG. 1.

FIG. 6 is a top plan view thereof; and,

FIG. 7 is a bottom plan view thereof.

1 Claim, 5 Drawing Sheets



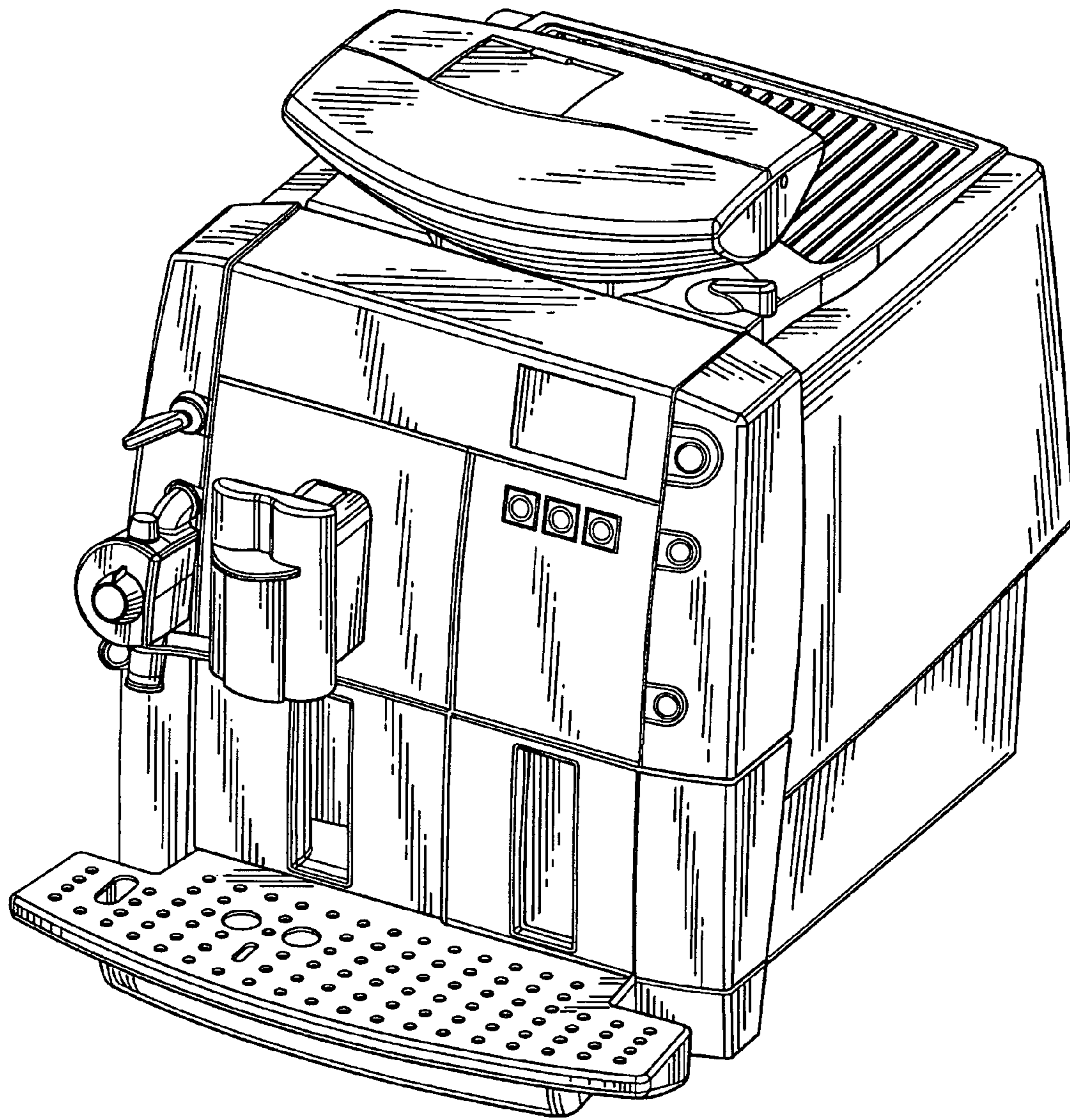


FIG.1

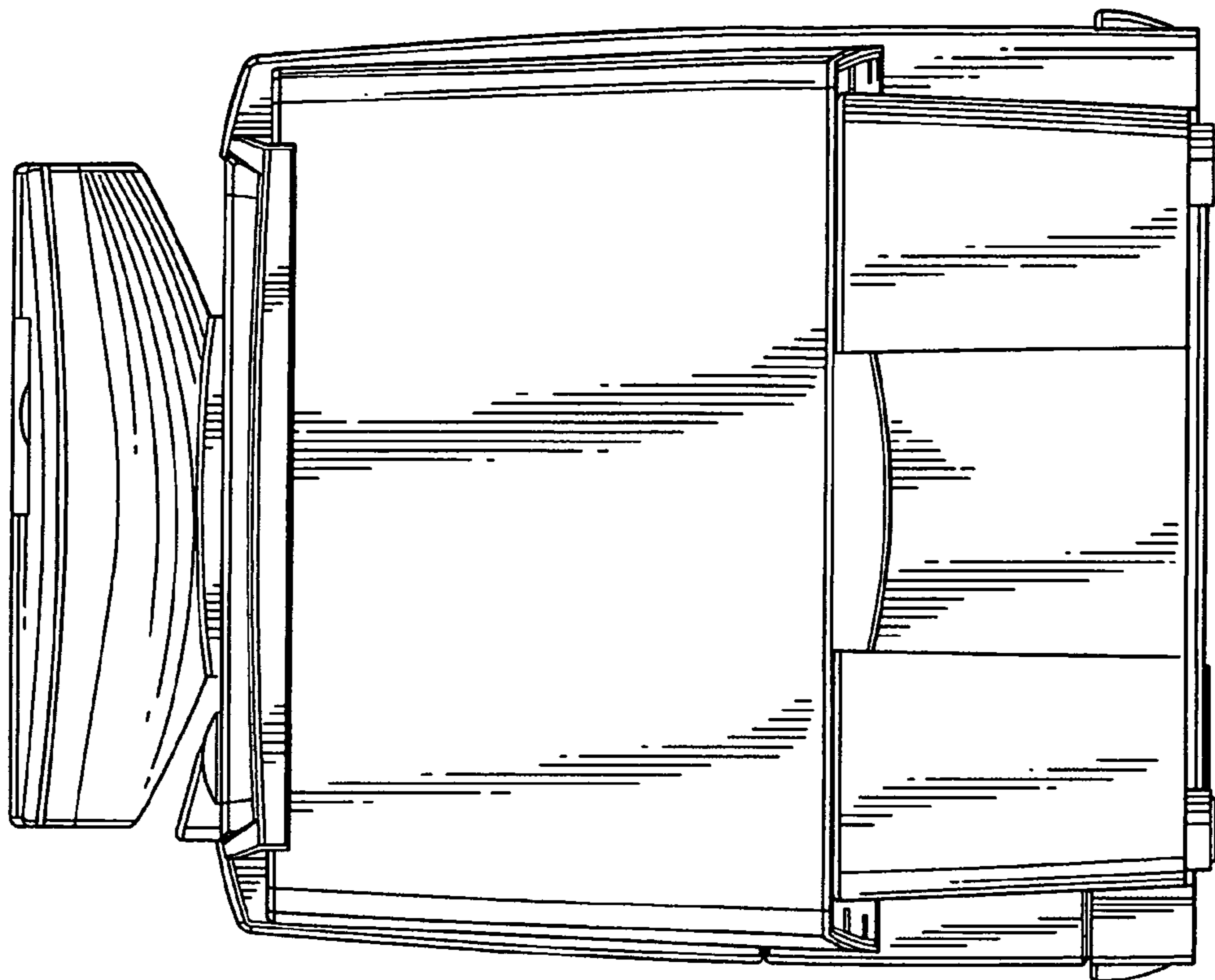


FIG.3

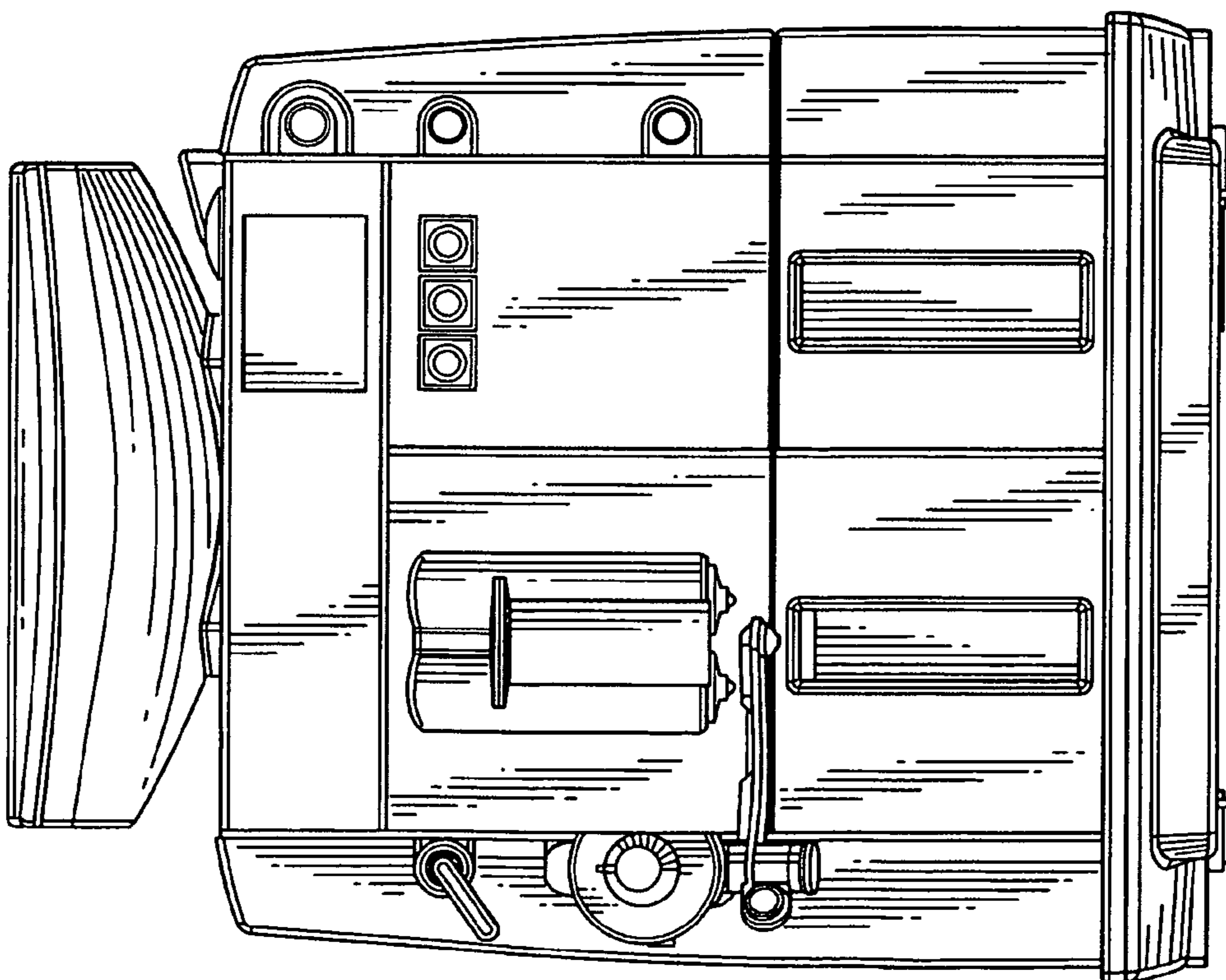


FIG.2

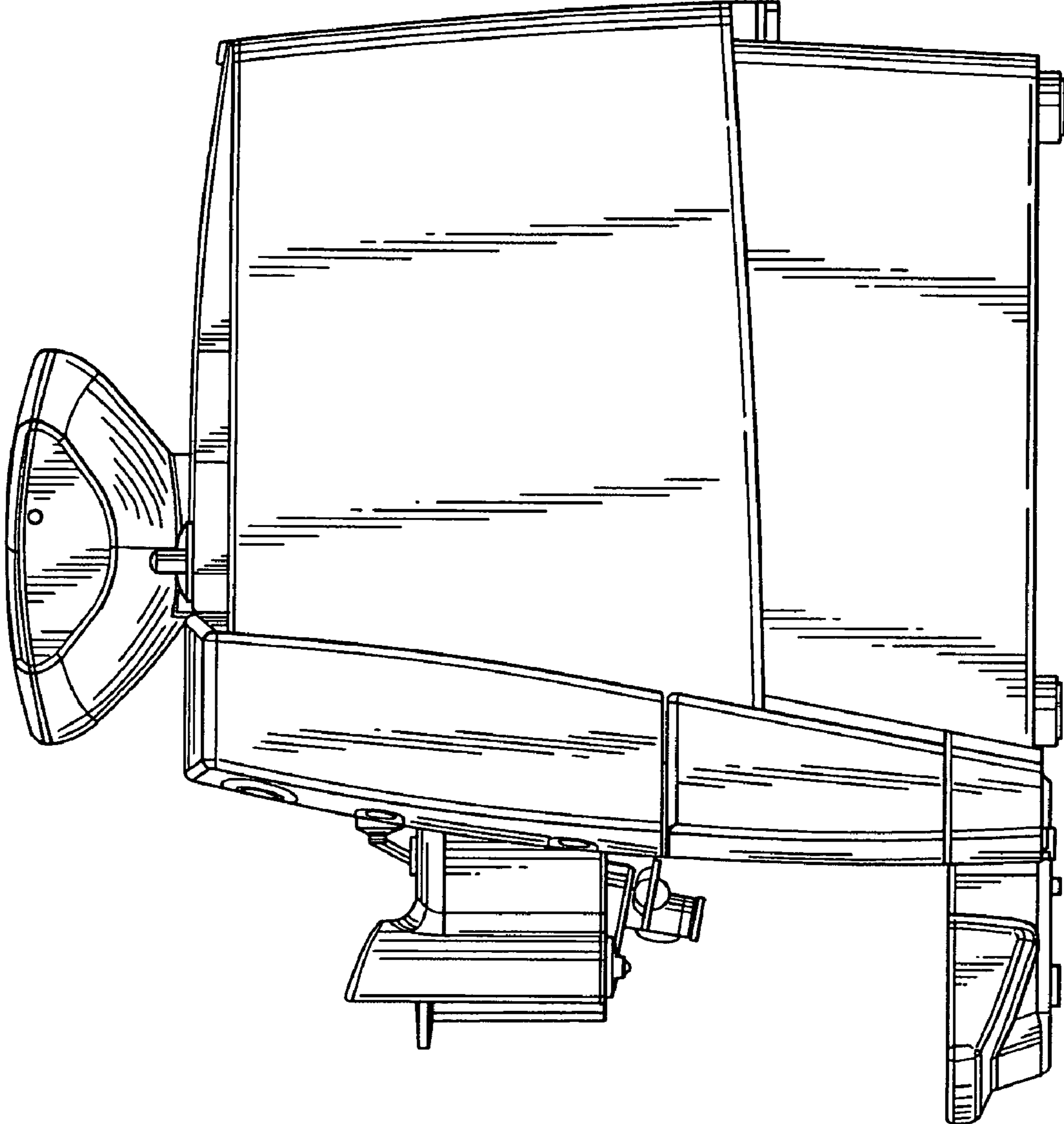


FIG.4

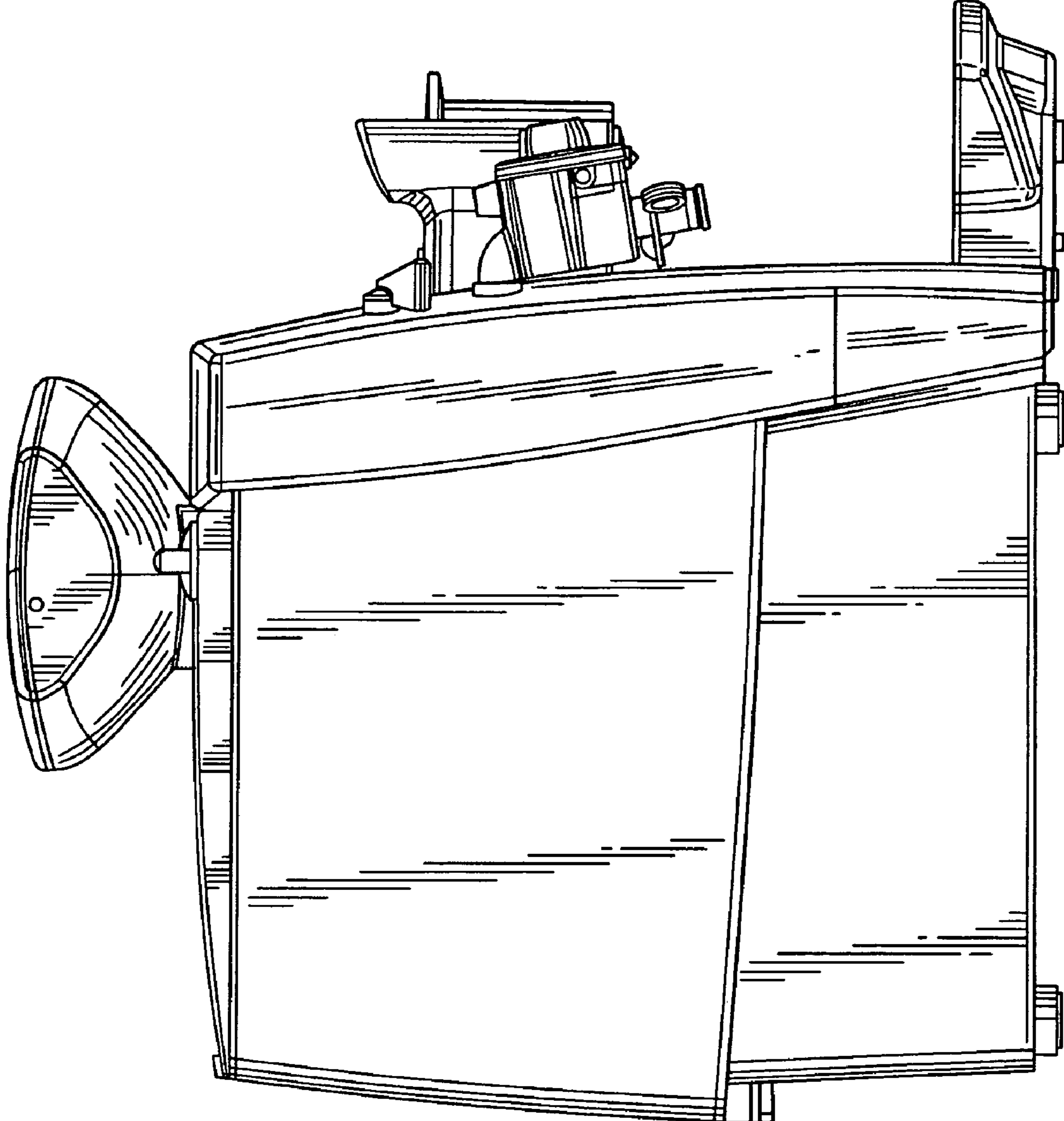


FIG.5

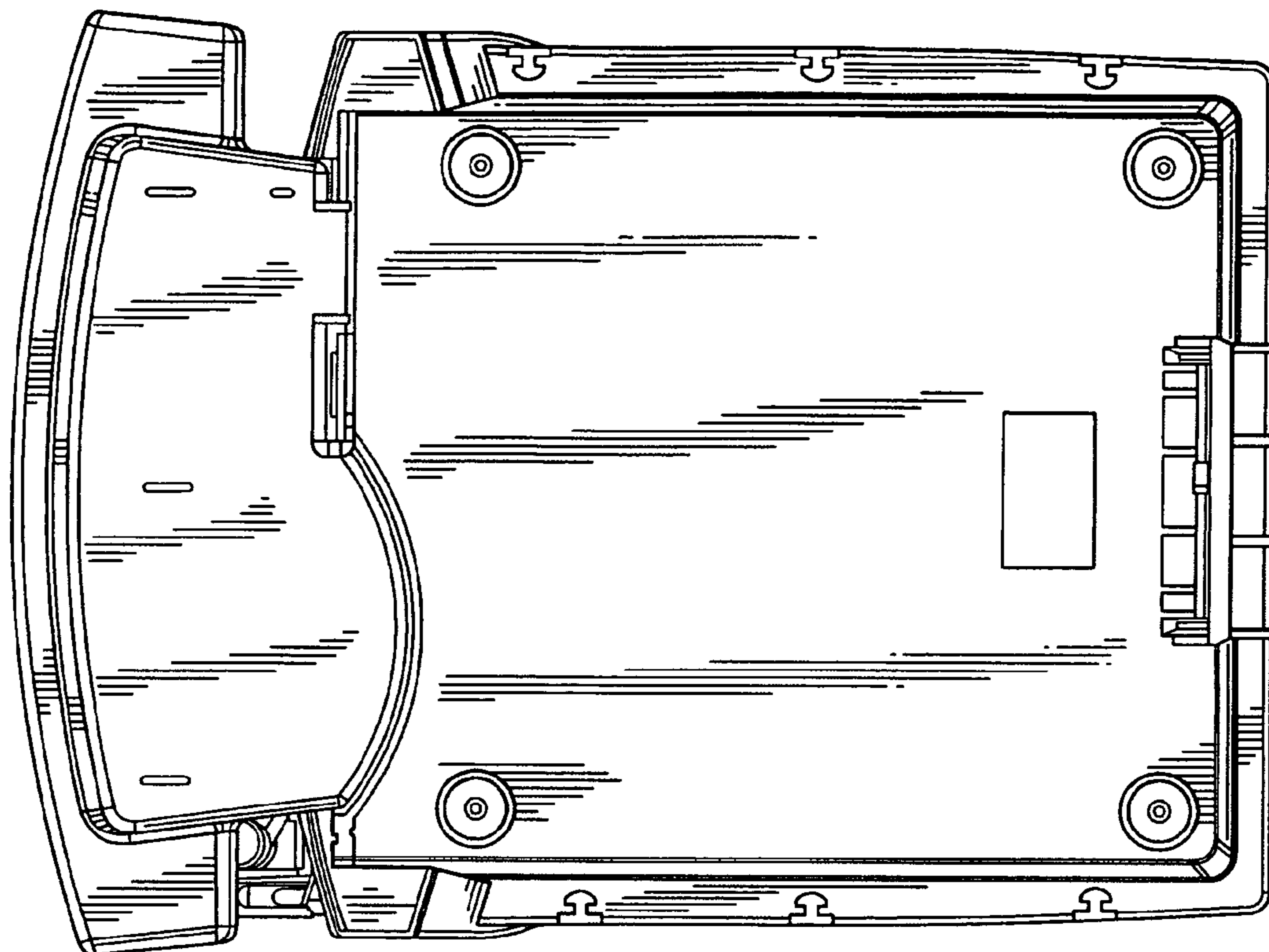


FIG. 7

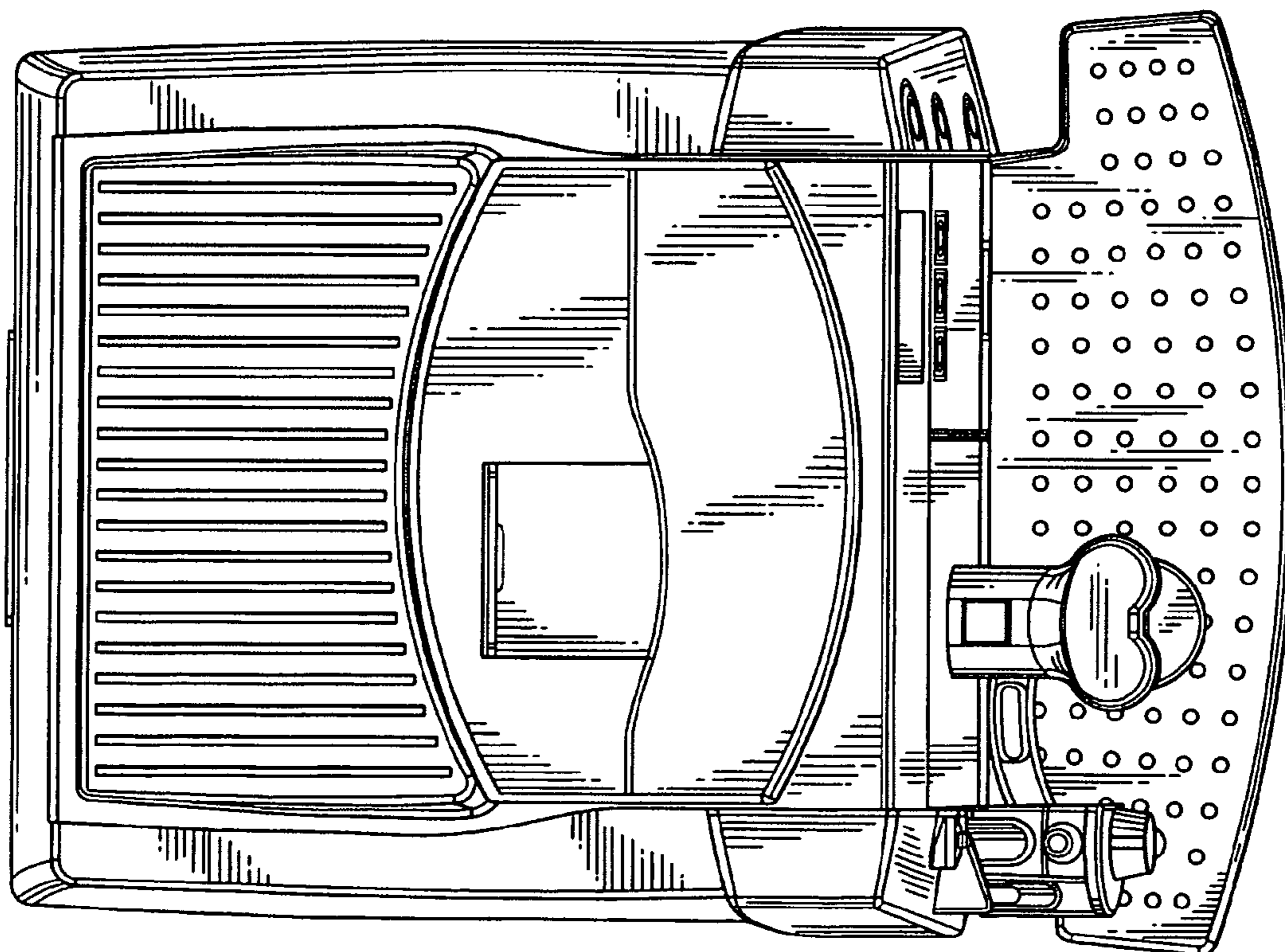


FIG. 6