



US00D592900S

(12) **United States Design Patent**  
**Wang**

(10) **Patent No.:** **US D592,900 S**

(45) **Date of Patent:** **\*\* May 26, 2009**

(54) **GLASS BOTTLE FOR WATER**

(75) Inventor: **Long-Ming Wang**, Kaohsiung (TW)

(73) Assignee: **Shanghai Ariba Electric Co., Ltd.**,  
Shanghai (CN)

(\*\*) Term: **14 Years**

(21) Appl. No.: **29/317,210**

(22) Filed: **Apr. 24, 2008**

(51) **LOC (9) Cl.** ..... **07-01**

(52) **U.S. Cl.** ..... **D7/306; D7/603**

(58) **Field of Classification Search** ..... D7/300,  
D7/306-314, 603-622, 320, 354; 202/185.3;  
220/326, 592.16; 99/403, 312

See application file for complete search history.

(56) **References Cited**

**U.S. PATENT DOCUMENTS**

D262,856	S	*	2/1982	MacTavish et al.	.....	D7/320
4,464,983	A	*	8/1984	Chappell et al.	.....	99/312
D294,445	S		3/1988	Jorgensen		
D303,563	S		9/1989	Palmer		
D338,366	S	*	8/1993	Ueda et al.	.....	D7/312
D370,153	S	*	5/1996	Chaney et al.	.....	D7/511
D463,192	S	*	9/2002	Uneo et al.	.....	D7/306
D483,620	S		12/2003	Basara		
D484,355	S	*	12/2003	De Gooijer	.....	D7/313

D487,376	S	*	3/2004	Uneo et al.	.....	D7/306
D518,335	S	*	4/2006	Naft et al.	.....	D7/608
D522,794	S	*	6/2006	Imai	.....	D7/313
D541,572	S	*	5/2007	Watanabe	.....	D7/313
D553,417	S	*	10/2007	Schreitmuller	.....	D7/312
D555,970	S	*	11/2007	Schreitmuller et al.	.....	D7/312
D556,499	S	*	12/2007	Green et al.	.....	D7/313
D581,196	S	*	11/2008	Kassenaar	.....	D7/306

\* cited by examiner

*Primary Examiner*—Marianne Pandozzi

(74) *Attorney, Agent, or Firm*—Muncy, Geissler, Olds & Lowe, PLLC

(57) **CLAIM**

The ornamental design for glass bottle for water, as shown in the accompanying drawings.

**DESCRIPTION**

FIG. 1 is a perspective view of the glass bottle for water in accordance with the embodiment of the claimed design;

FIG. 2 is a right side elevational view thereof;

FIG. 3 is a top plan view thereof;

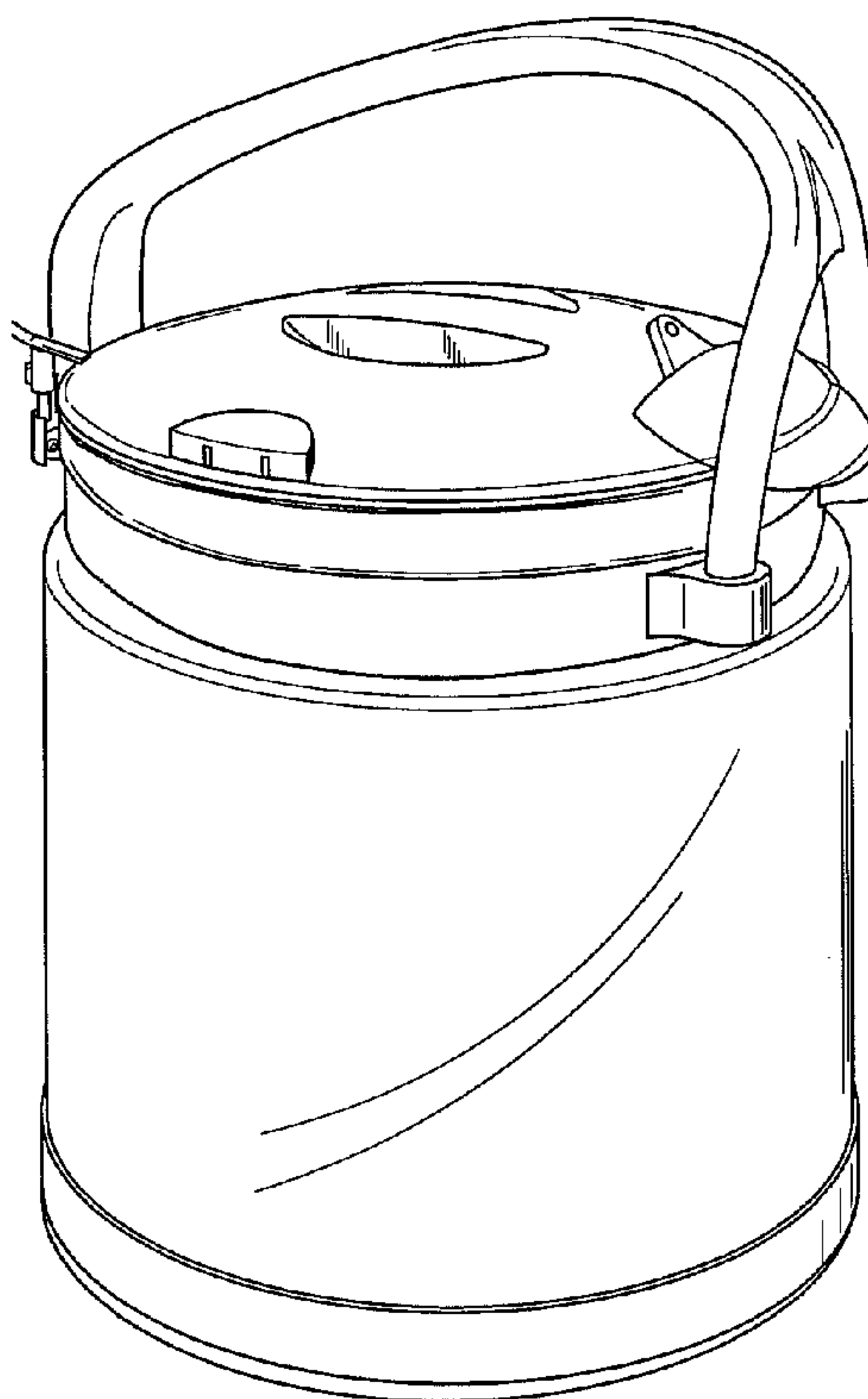
FIG. 4 is a front elevational view thereof;

FIG. 5 is a bottom plan view thereof;

FIG. 6 is a left side elevational view thereof; and,

FIG. 7 is a rear elevational view thereof.

**1 Claim, 4 Drawing Sheets**



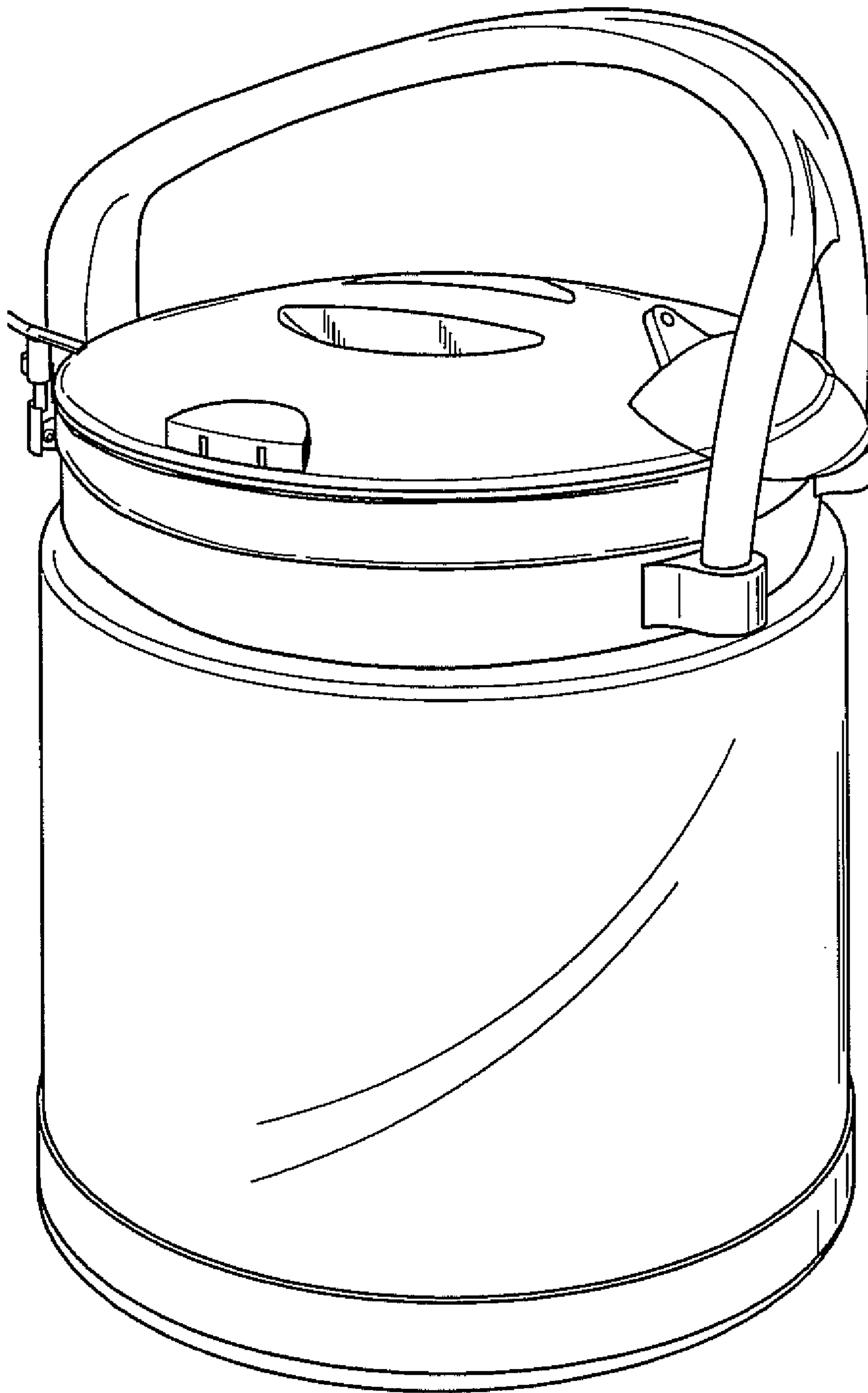


FIG. 1

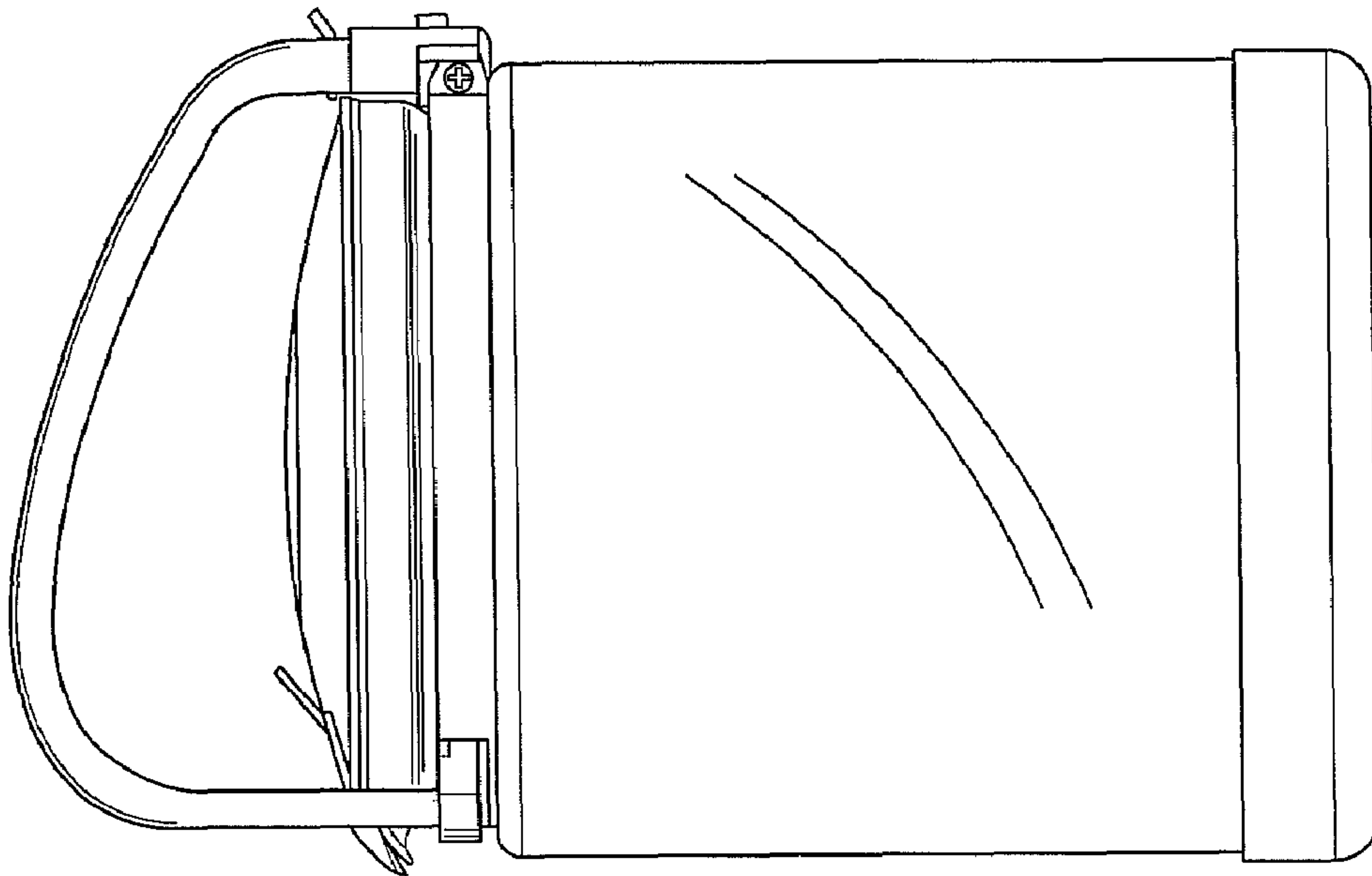


FIG. 2

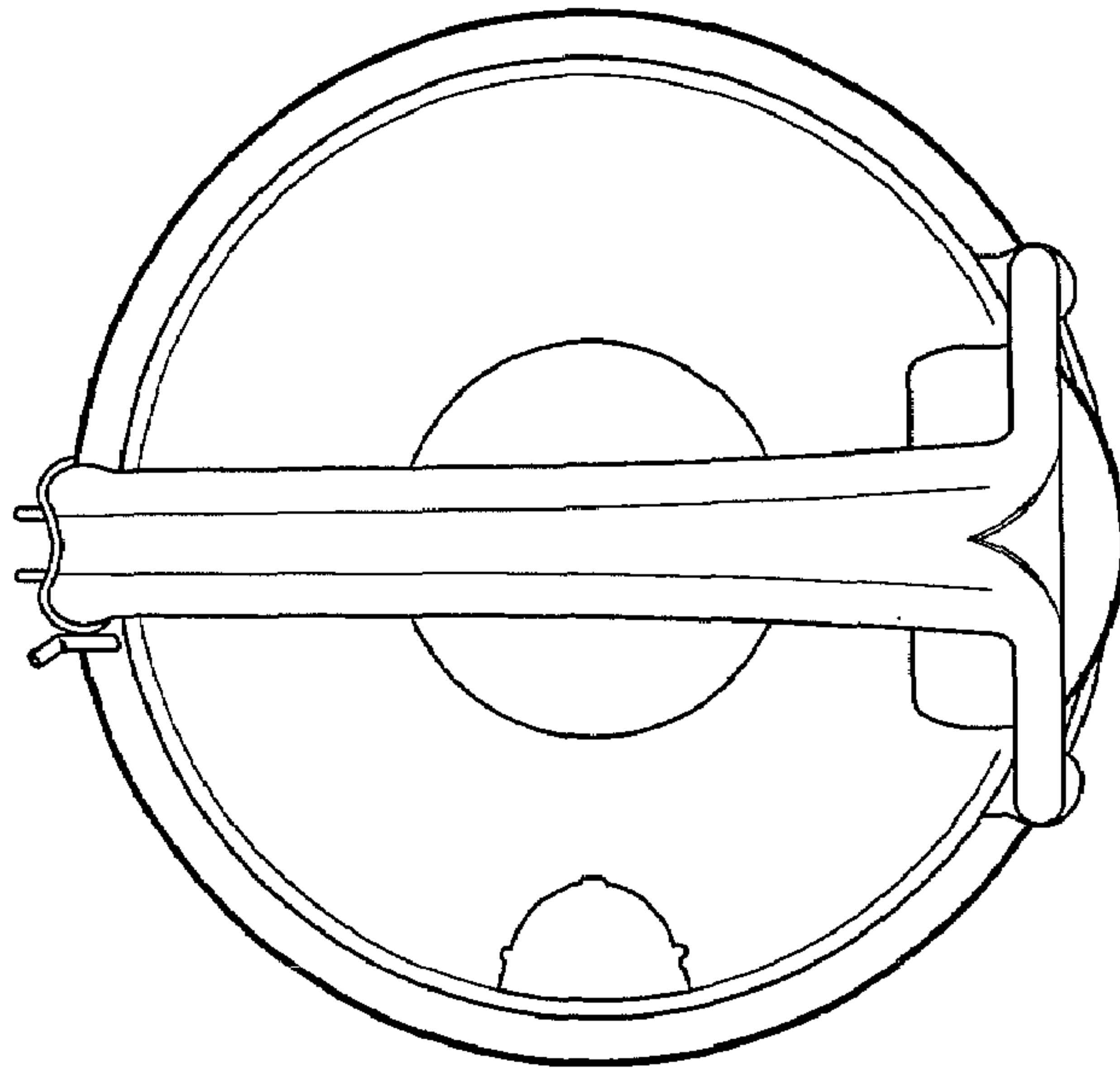


FIG. 3

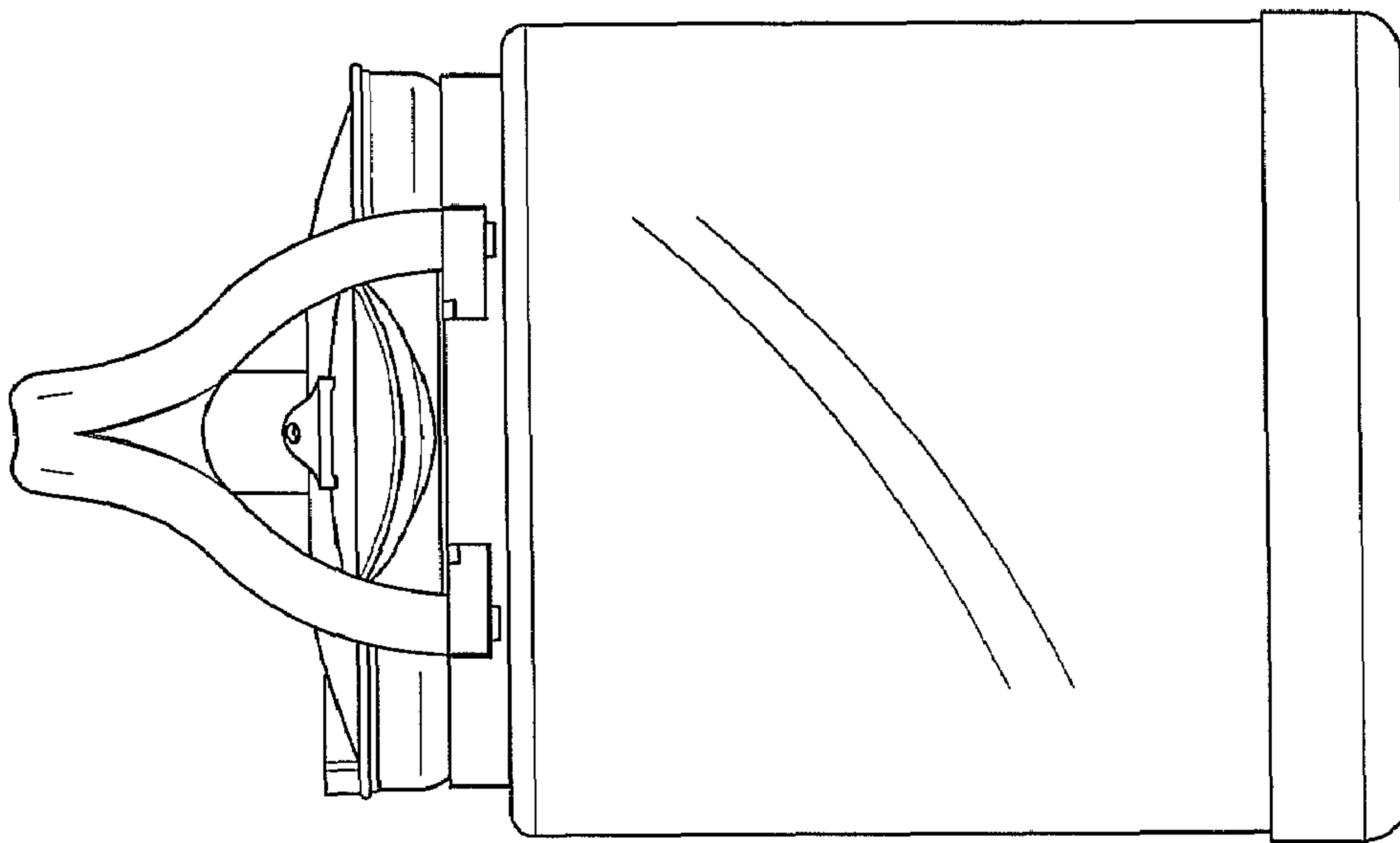


FIG. 4

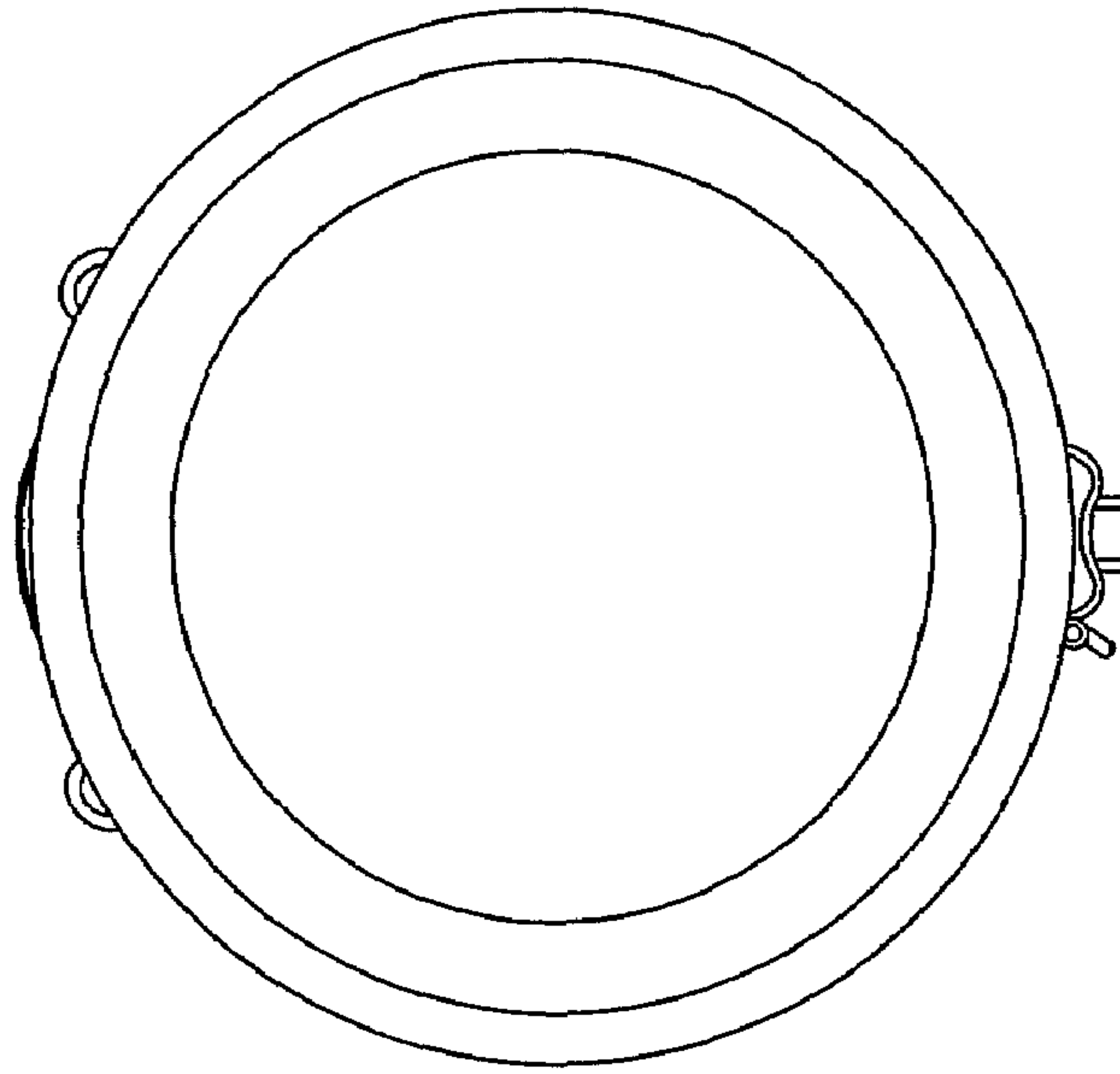


FIG. 5

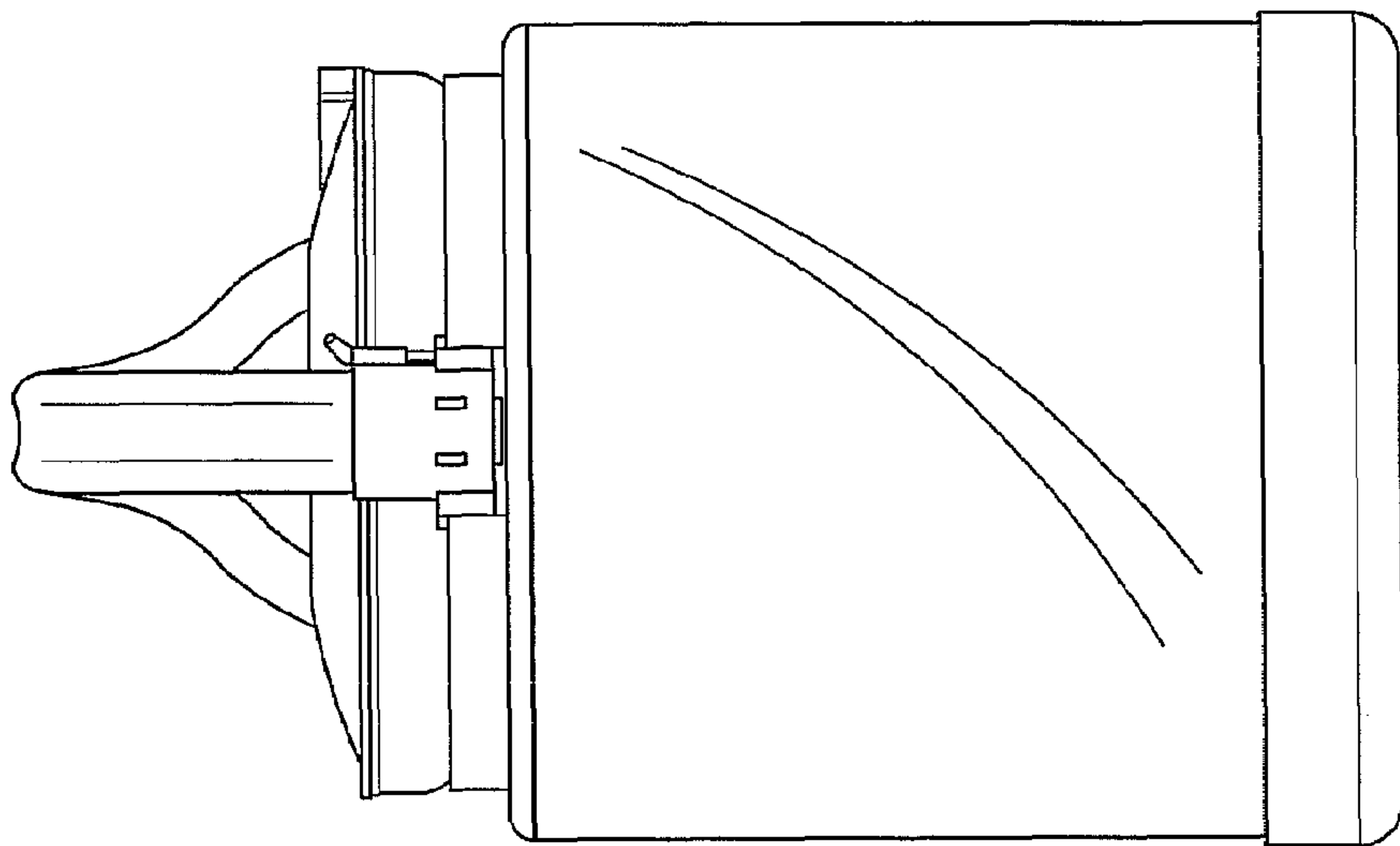


FIG. 7

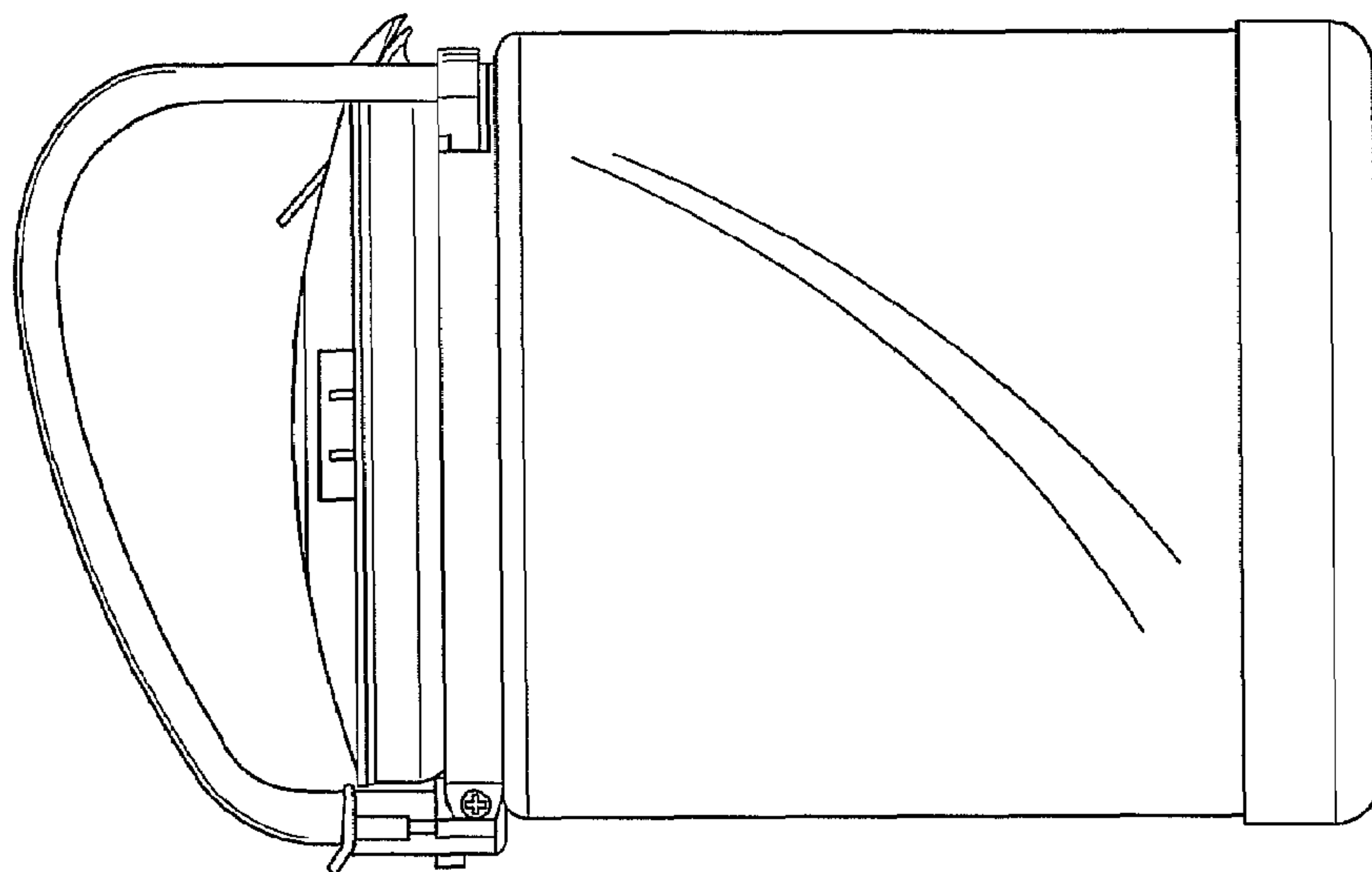


FIG. 6