

US00D592892S

(12) **United States Design Patent**
Sexton

(10) **Patent No.:** **US D592,892 S**

(45) **Date of Patent:** **** May 26, 2009**

(54) **DESK SHELF**

(75) Inventor: **James S. Sexton**, San Ramon, CA (US)

(73) Assignee: **Z-Line Designs, Inc.**, San Ramon, CA (US)

(**) Term: **14 Years**

(21) Appl. No.: **29/268,632**

(22) Filed: **Nov. 9, 2006**

(51) **LOC (9) Cl.** **06-03**

(52) **U.S. Cl.** **D6/480**

(58) **Field of Classification Search** D6/480-489,
D6/495-499, 429-431, 511, 422-428; 108/150,
108/153.1, 156, 157.1, 161, 50.01, 50.02;
248/188, 188.1, 188.8; 312/194-196, 258
See application file for complete search history.

(56) **References Cited**

U.S. PATENT DOCUMENTS

- D396,358 S * 7/1998 Geier D6/349
- D501,339 S * 2/2005 Lai D6/480
- D503,552 S * 4/2005 Messier D6/349

- D516,340 S * 3/2006 Chang D6/425
- D569,126 S * 5/2008 Sexton D6/425
- D569,132 S * 5/2008 Sexton D6/480
- D573,367 S * 7/2008 Chang D6/426

* cited by examiner

Primary Examiner—Janice E Seeger

(74) *Attorney, Agent, or Firm*—Townsend and Townsend and Crew LLP

(57) **CLAIM**

The ornamental design for a desk shelf, as shown and described.

DESCRIPTION

FIG. 1 is a perspective view of a design for a desk shelf showing my new design;

FIG. 2 is a top plan view thereof;

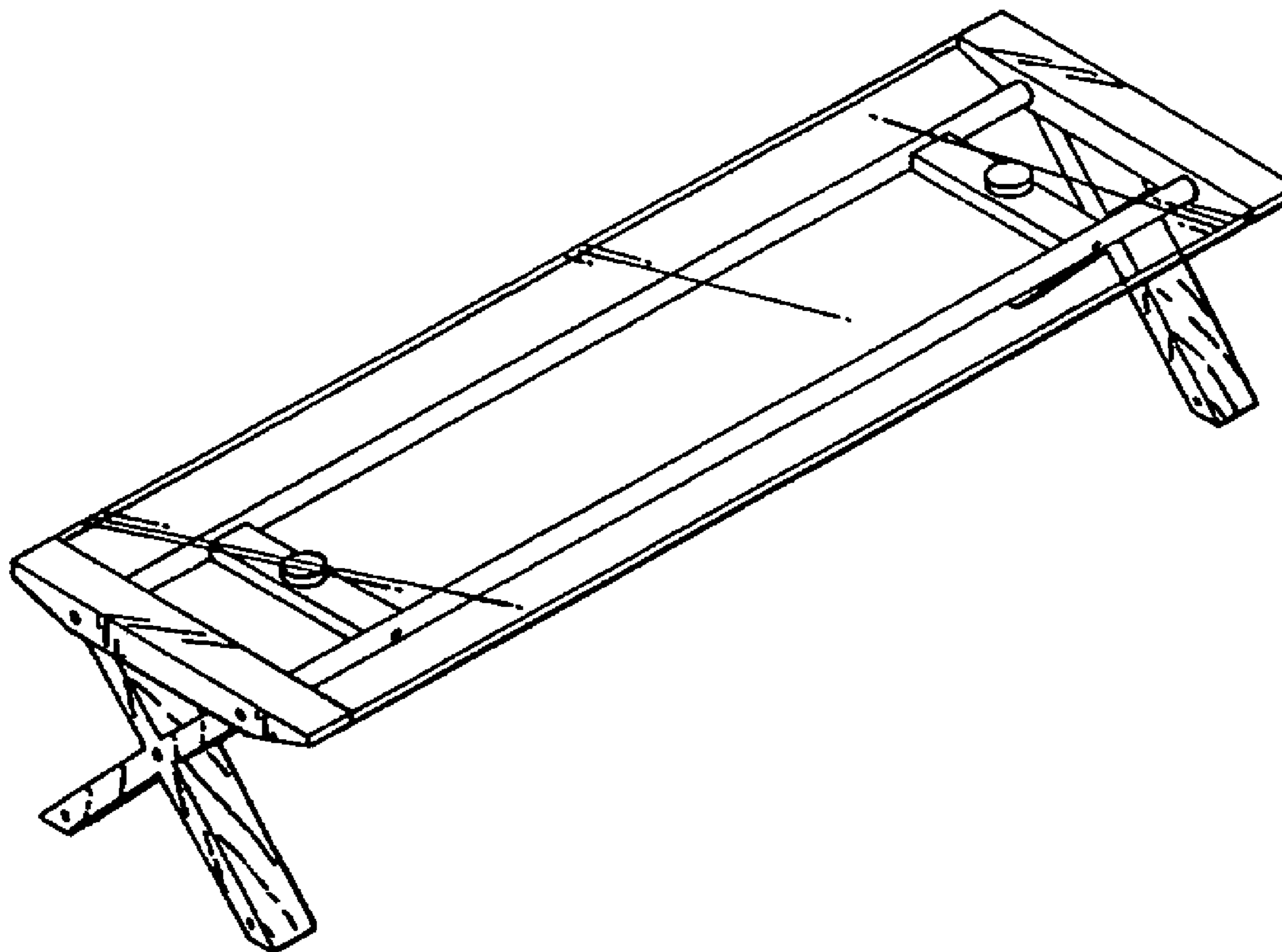
FIG. 3 is a front elevational view thereof;

FIG. 4 is a right side elevational view thereof;

FIG. 5 is a rear elevational view thereof; and,

FIG. 6 is a left side elevational view thereof.

1 Claim, 1 Drawing Sheet



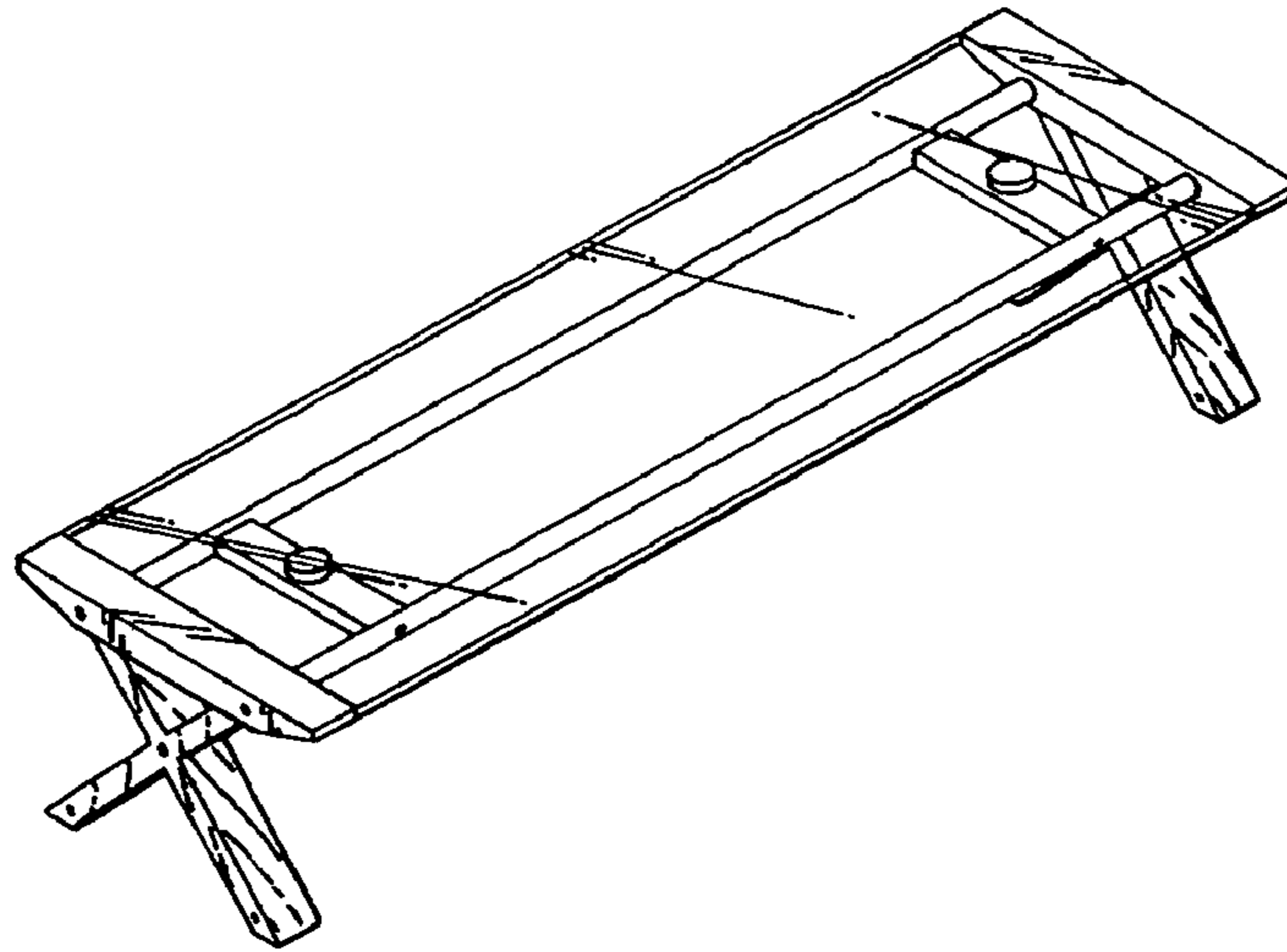


FIG. 1

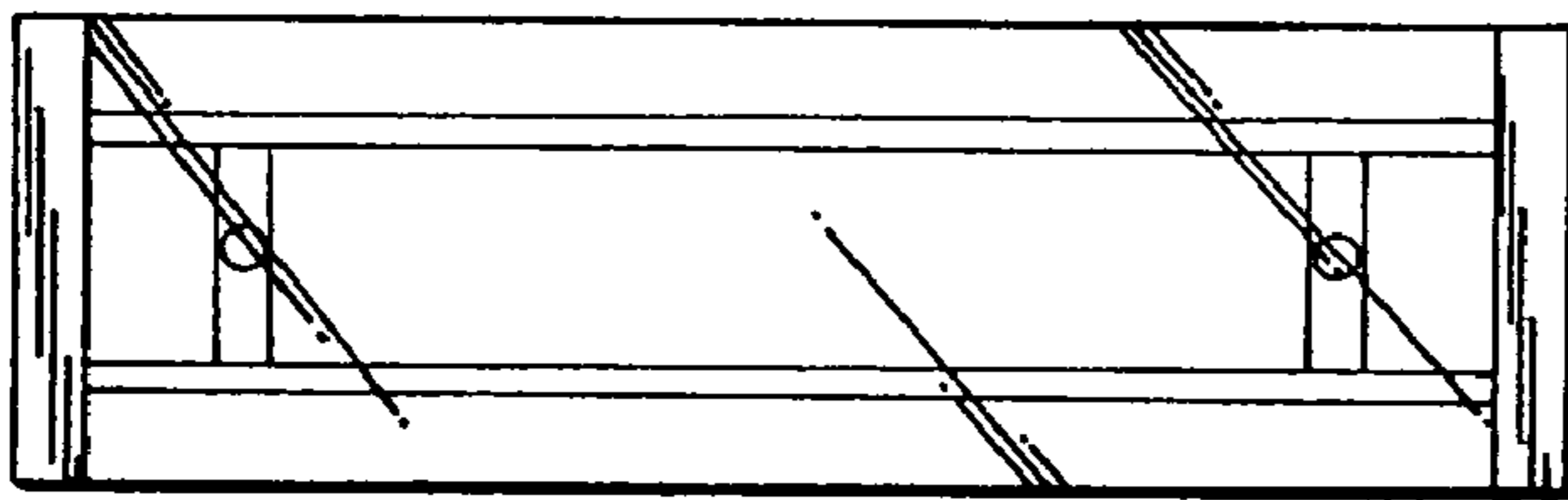


FIG. 2

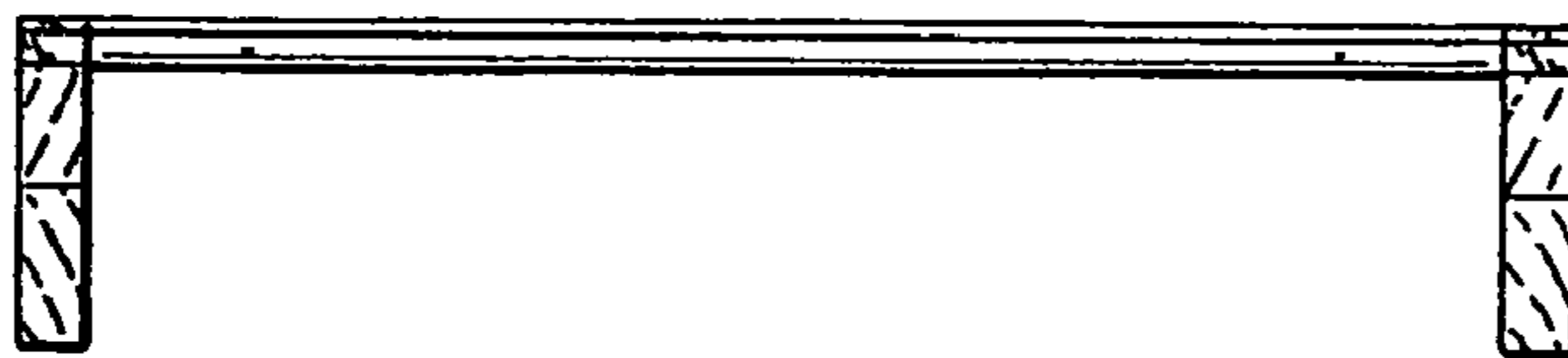


FIG. 3

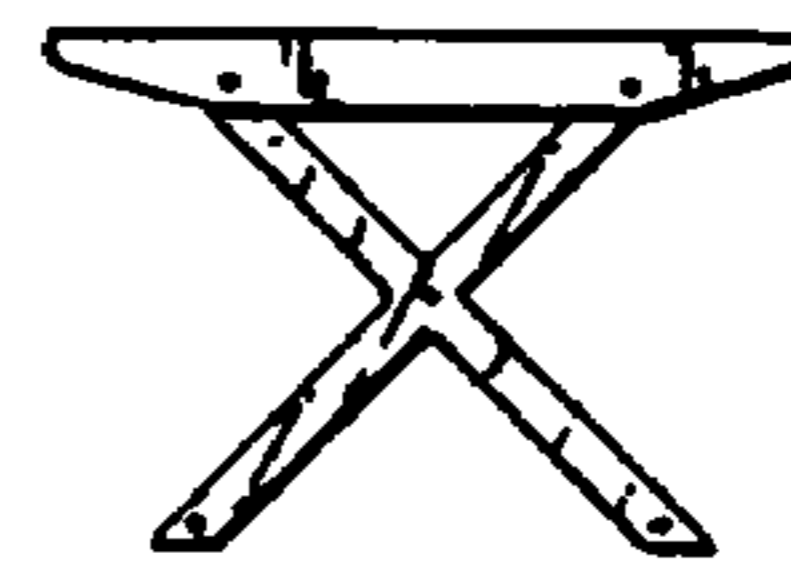


FIG. 4

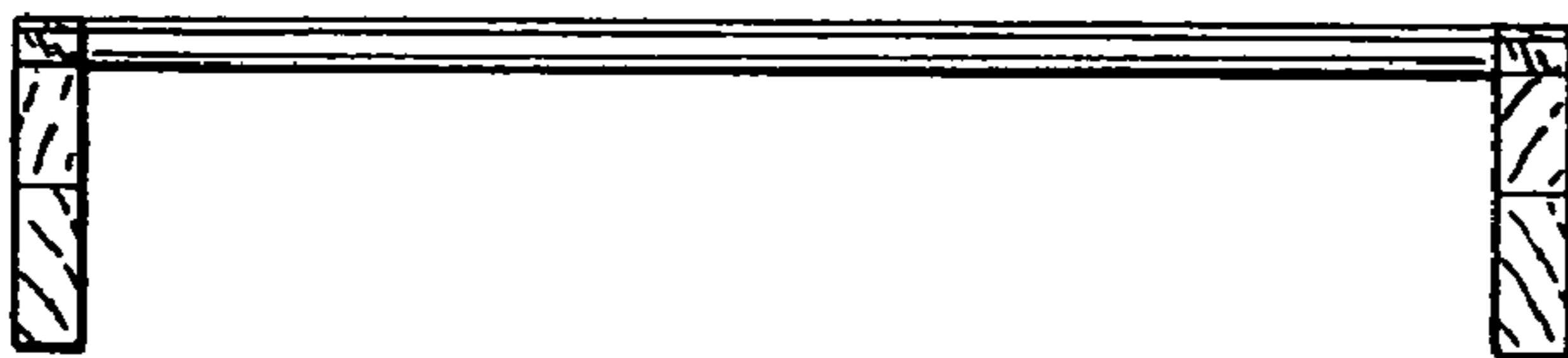


FIG. 5

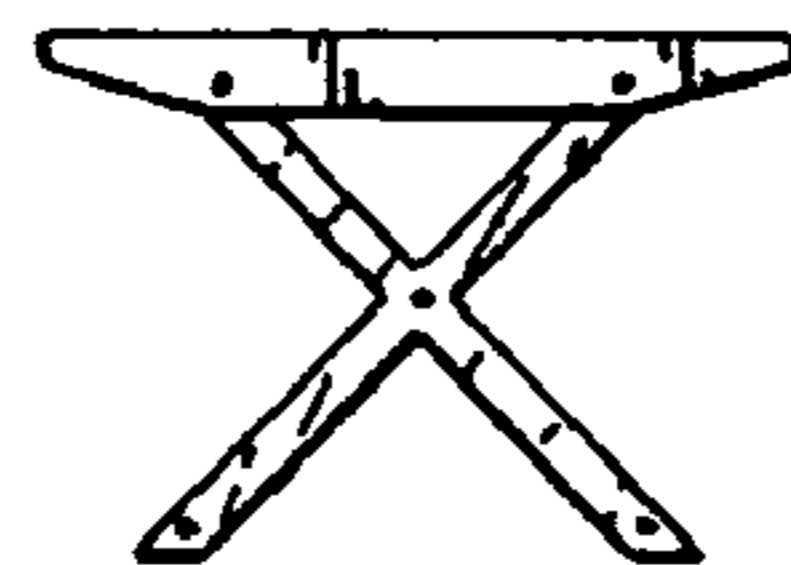


FIG. 6