



US00D592891S

(12) **United States Design Patent**  
**Alfonso**

(10) **Patent No.:** **US D592,891 S**

(45) **Date of Patent:** **\*\* May 26, 2009**

(54) **MODULAR SHELF SYSTEM**

(76) **Inventor:** **Oscar Alfonso**, 655 Conservation Dr.,  
Weston, FL (US) 33327

(\*\*) **Term:** **14 Years**

(21) **Appl. No.:** **29/303,062**

(22) **Filed:** **Jan. 31, 2008**

(51) **LOC (9) Cl.** ..... **06-04**

(52) **U.S. Cl.** ..... **D6/479**

(58) **Field of Classification Search** ..... D6/473,  
D6/479, 511, 449, 478; 108/59, 91-93; 211/36,  
211/42, 43, 85.1, 85.2, 188; 312/107-108

See application file for complete search history.

(56) **References Cited**

**U.S. PATENT DOCUMENTS**

|           |   |   |         |                  |       |         |
|-----------|---|---|---------|------------------|-------|---------|
| D227,065  | S | * | 6/1973  | Mayers           | ..... | D6/475  |
| D234,994  | S | * | 4/1975  | Stiene           | ..... | D6/475  |
| 4,819,814 | A | * | 4/1989  | Fogelgren        | ..... | 211/50  |
| 5,421,467 | A | * | 6/1995  | Dittborn         | ..... | 211/150 |
| D374,573  | S | * | 10/1996 | Brunner et al.   | ..... | D6/479  |
| D384,838  | S | * | 10/1997 | Topper et al.    | ..... | D6/473  |
| D407,247  | S | * | 3/1999  | Brezney          | ..... | D6/511  |
| D416,147  | S | * | 11/1999 | Dickinson et al. | ..... | D6/479  |
| D426,092  | S | * | 6/2000  | Neustadt         | ..... | D6/511  |

|          |   |   |         |              |       |        |
|----------|---|---|---------|--------------|-------|--------|
| D454,737 | S | * | 3/2002  | Carrabba     | ..... | D6/511 |
| D476,510 | S | * | 7/2003  | Henry et al. | ..... | D6/479 |
| D552,900 | S | * | 10/2007 | Wilenius     | ..... | D6/509 |

\* cited by examiner

*Primary Examiner*—Elizabeth A Albert

*Assistant Examiner*—Kelley A Donnelly

(74) *Attorney, Agent, or Firm*—Gold & Rizvi, P.A.; H. John Rizvi; Glenn E. Gold

(57) **CLAIM**

I claim the ornamental design for a modular shelf system, as shown and described.

**DESCRIPTION**

FIG. 1 is a front perspective view of the modular shelf system showing my new design;

FIG. 2 is a rear perspective view thereof;

FIG. 3 is a front view thereof;

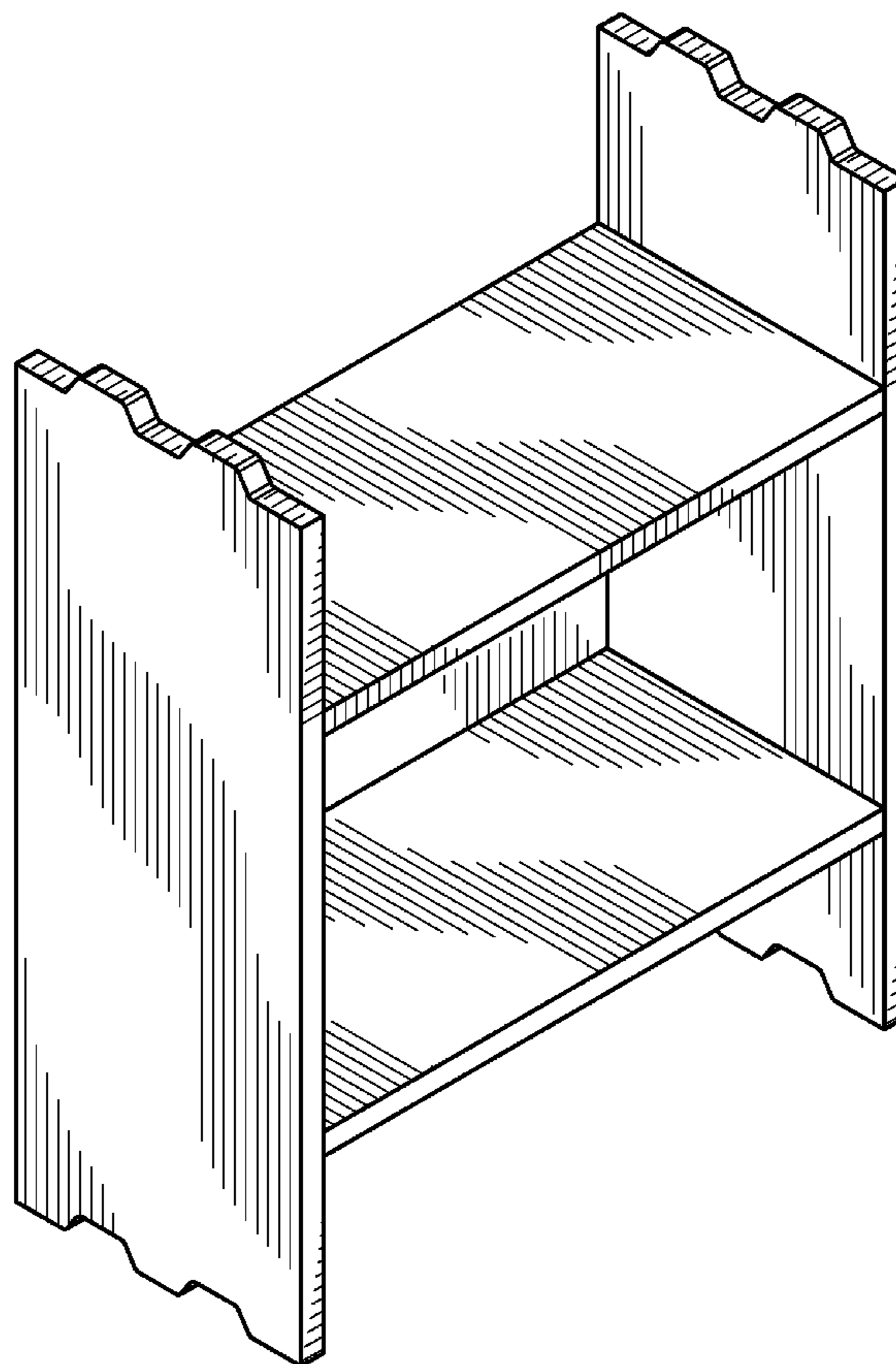
FIG. 4 is a top plan view thereof;

FIG. 5 is a side view thereof; and,

FIG. 6 is an in-use view thereof.

The broken lines in FIG. 6 are for environmental purposes only and form no part of the claimed design.

**1 Claim, 6 Drawing Sheets**



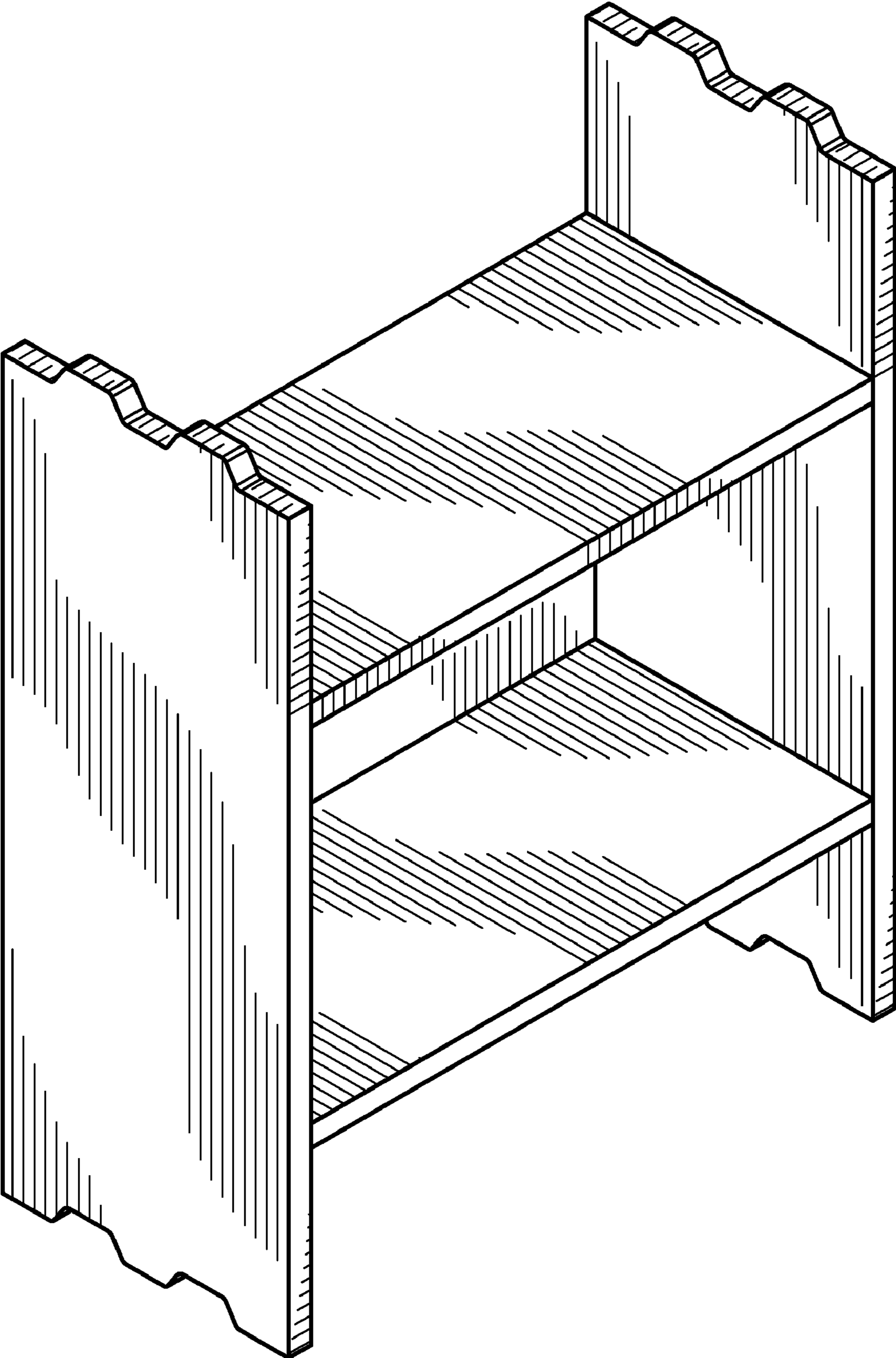


FIG. 1

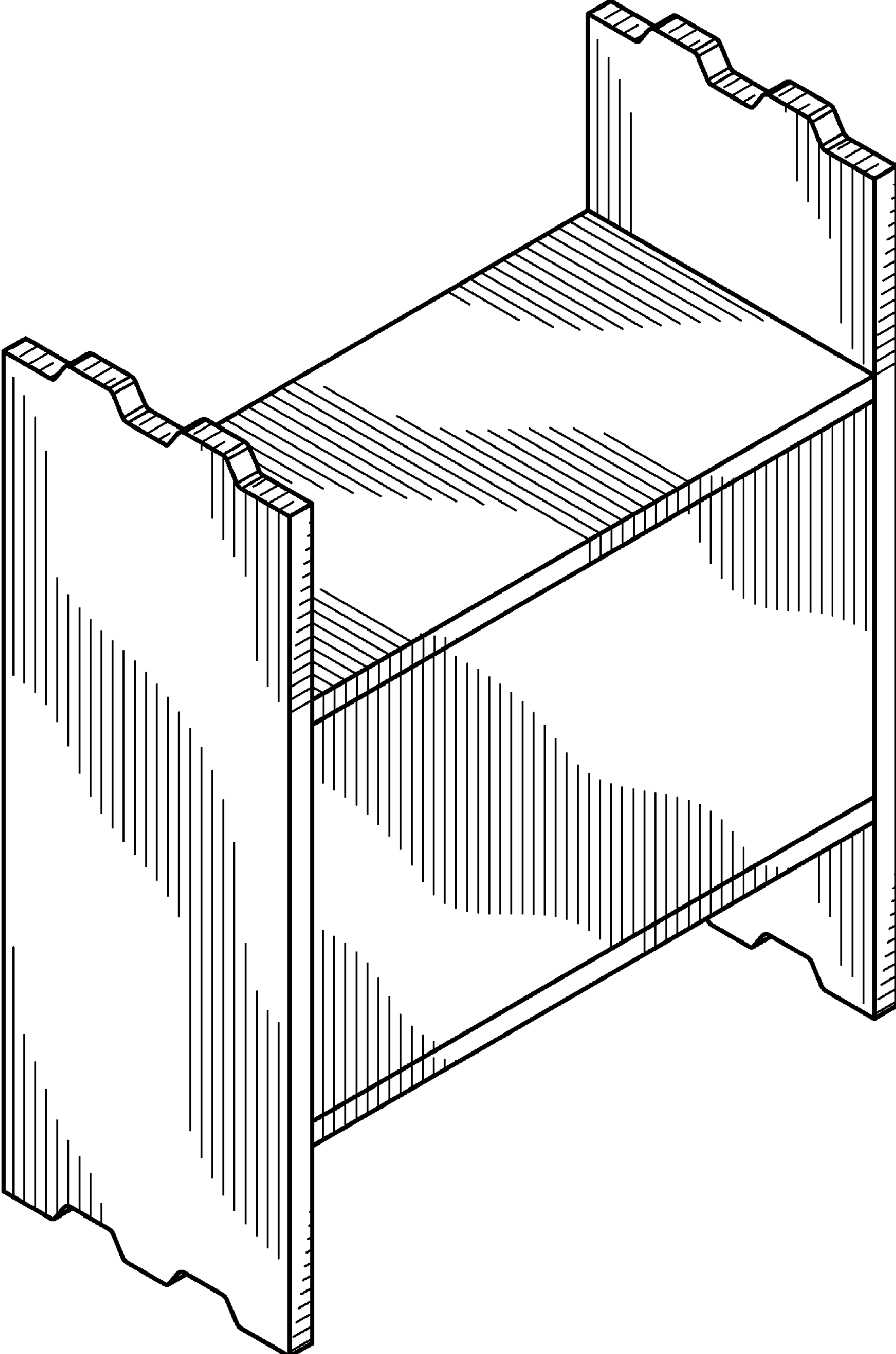


FIG. 2

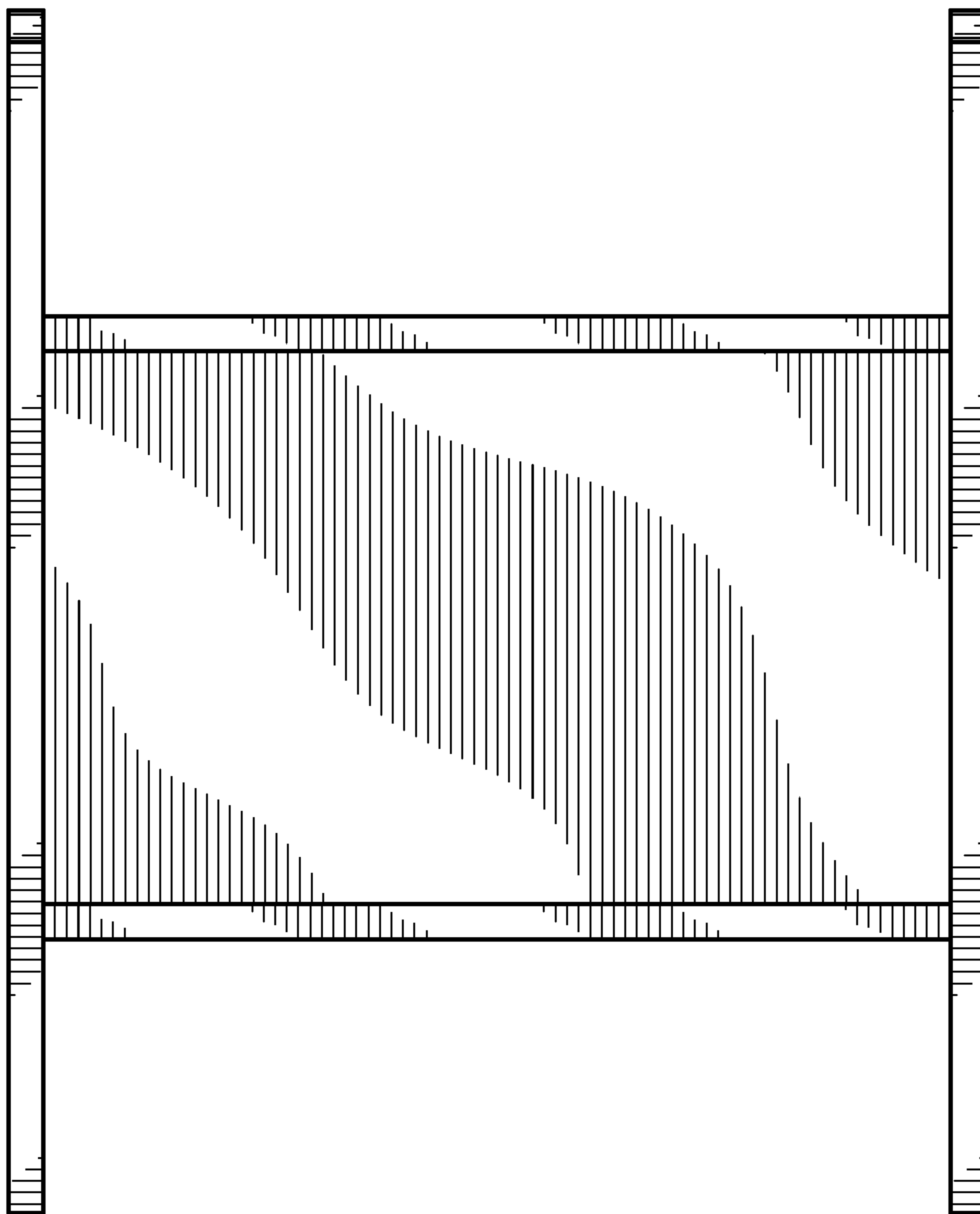


FIG. 3

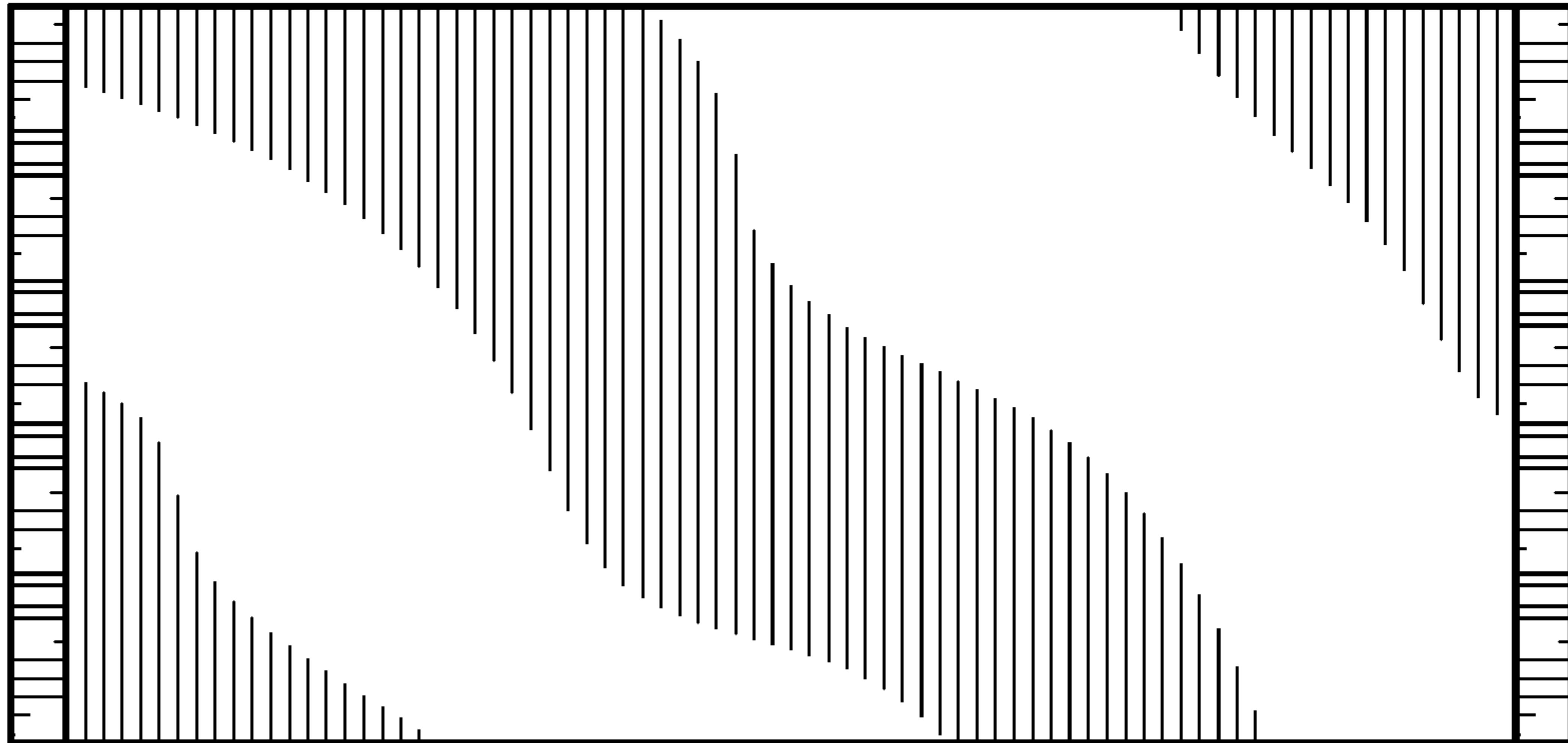


FIG. 4

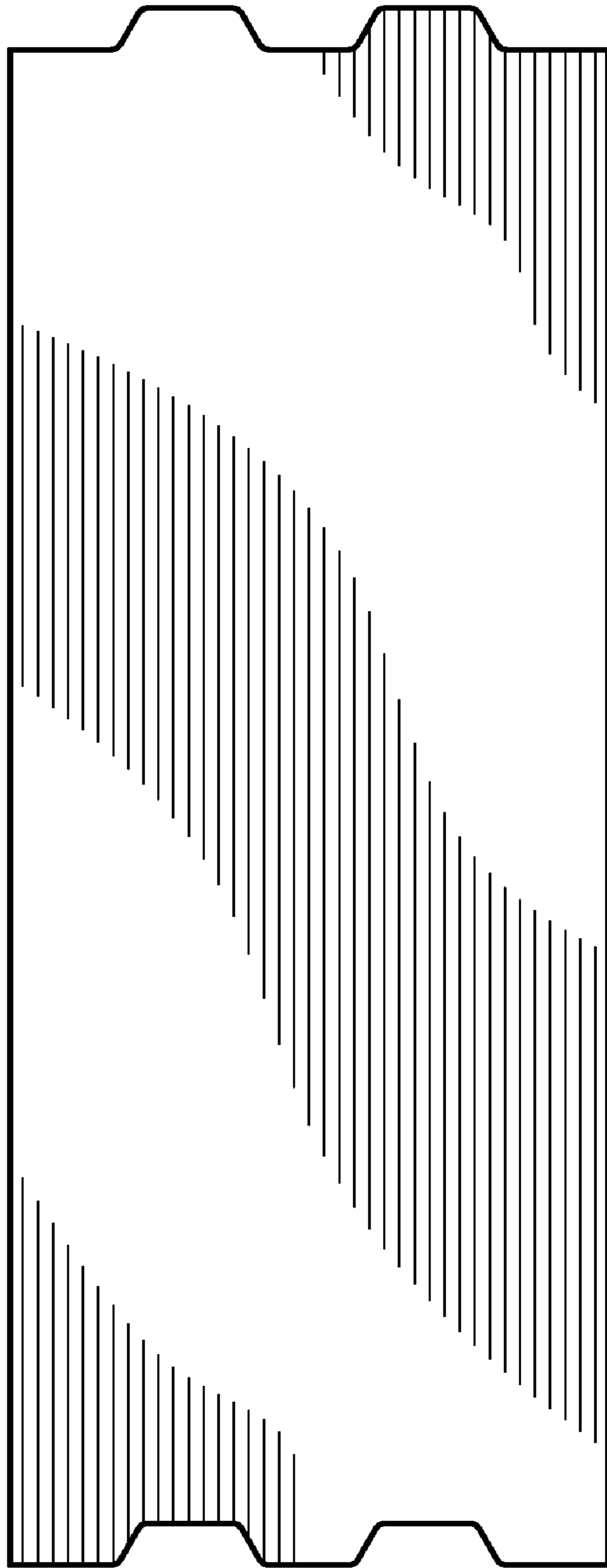


FIG. 5

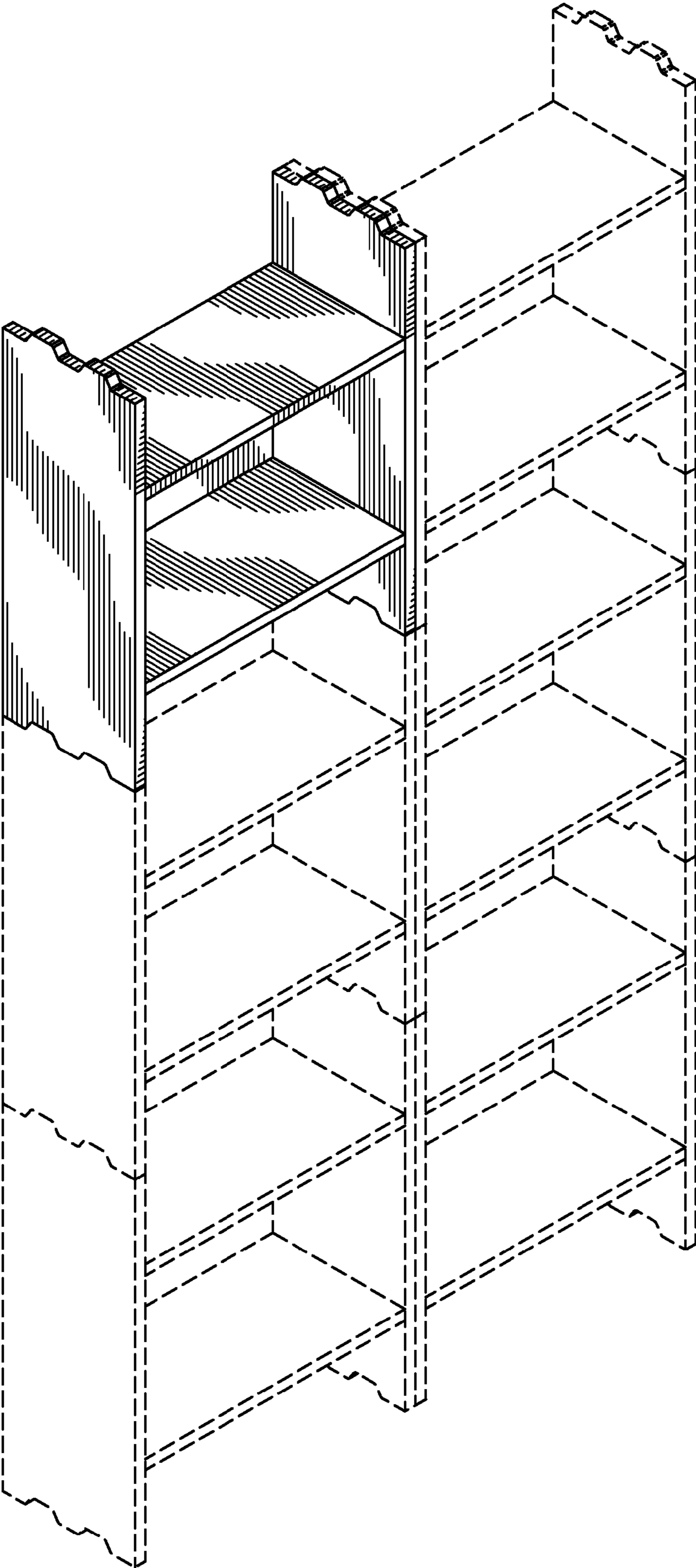


FIG. 6