



US00D592889S

(12) **United States Design Patent**
Carter et al.

(10) **Patent No.:** **US D592,889 S**
(45) **Date of Patent:** **** May 26, 2009**

(54) **DISPLAY BOX**

(75) Inventors: **Nicholas James Carter**, Christchurch (NZ); **Janine Kirsten Murray**, Christchurch (NZ)

(73) Assignee: **Gifted With Words Limited**, Christchurch (NZ)

(**) Term: **14 Years**

(21) Appl. No.: **29/285,742**

(22) Filed: **Apr. 9, 2007**

(30) **Foreign Application Priority Data**

Oct. 10, 2006 (NZ) 408209

(51) **LOC (9) Cl.** **06-04**

(52) **U.S. Cl.** **D6/470**

(58) **Field of Classification Search** D6/473-475, D6/477-479, 630; 40/722, 760, 593; 108/59, 108/65-66, 91-93, 106-107, 180, 144.11; 211/42, 134, 188

See application file for complete search history.

(56) **References Cited**

U.S. PATENT DOCUMENTS

D185,509	S *	6/1959	Pedersen	D6/301
3,403,323	A *	9/1968	Wanlass	323/250
3,774,332	A *	11/1973	Schneider	40/720
5,408,771	A *	4/1995	Manrubia	40/714
D386,533	S *	11/1997	Kvoka	D20/42
5,969,952	A *	10/1999	Hayashi et al.	361/774
D422,810	S *	4/2000	Rasp	D6/480
D444,177	S *	6/2001	Carretta	D19/85
D505,746	S *	5/2005	Chen	D27/141
D506,613	S *	6/2005	Gusdorf	D3/304
RE38,836	E *	10/2005	Krause et al.	312/111
D528,869	S *	9/2006	VanHook	D7/619.1
7,146,760	B2 *	12/2006	Yiu	40/743
7,175,242	B2 *	2/2007	Lee et al.	312/7.2

D553,393	S *	10/2007	Cassel	D6/479
2003/0010738	A1 *	1/2003	Hsia et al.	211/188
2004/0035039	A1 *	2/2004	Bilinszky	40/722
2008/0000863	A1 *	1/2008	DiBello	211/134

* cited by examiner

Primary Examiner—Elizabeth A Albert
Assistant Examiner—Kelley A Donnelly

(74) *Attorney, Agent, or Firm*—Greer, Burns & Crain, Ltd.

(57) **CLAIM**

The ornamental design for a display box, as shown and described.

DESCRIPTION

FIG. 1 is a front elevational view of the present display box;

FIG. 2 is a top perspective view thereof;

FIG. 3 is a vertical section of the display box taken along the lines 3—3 of FIG. 1 toward the right side, the left side being a mirror image;

FIG. 4 is a front elevational view of a second embodiment of the present display box;

FIG. 5 is a top perspective view thereof;

FIG. 6 is a vertical section of the display box taken along the lines 6—6 of FIG. 4, toward the right side, the left side being a mirror image;

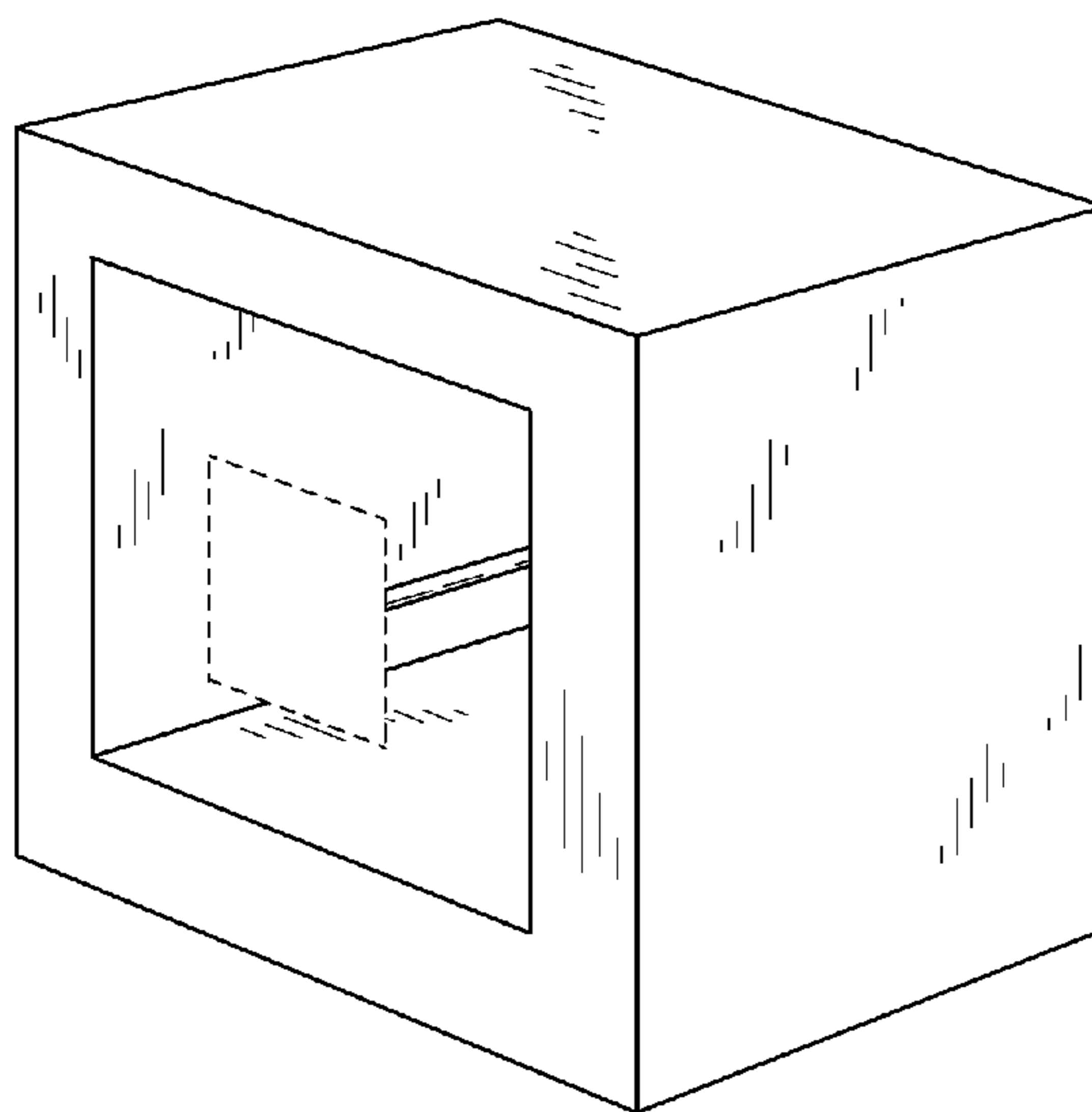
FIG. 7 is a front elevational view of a third embodiment of the present display box;

FIG. 8 is a top perspective view thereof; and,

FIG. 9 is a vertical section of the display box taken along the lines 9—9 of FIG. 7, toward the right side, the left side being a mirror image.

The broken lines showing in FIGS. 1–9 are shown for environmental purposes only and form no part of the claimed design.

1 Claim, 6 Drawing Sheets



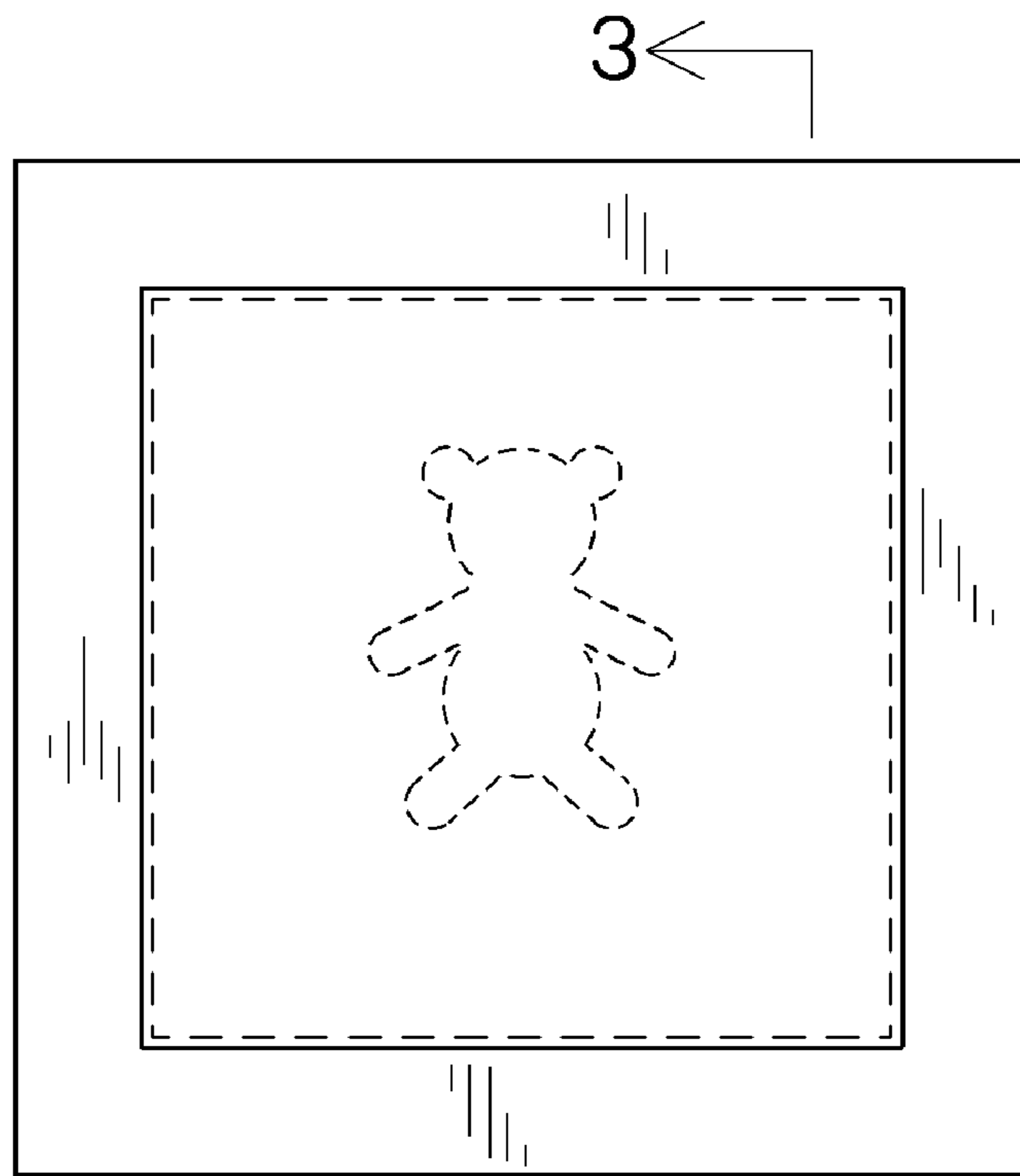


Fig.1

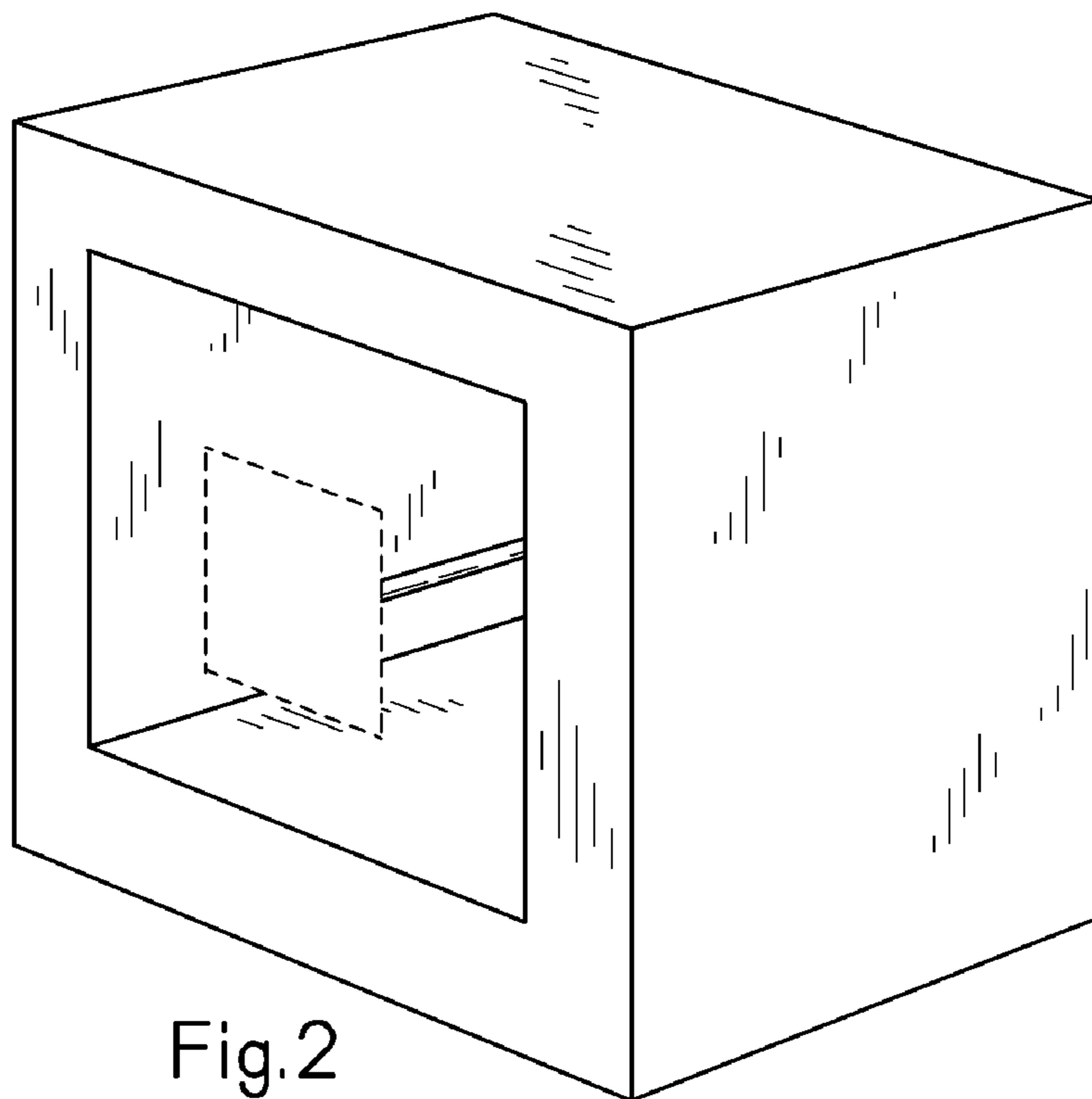
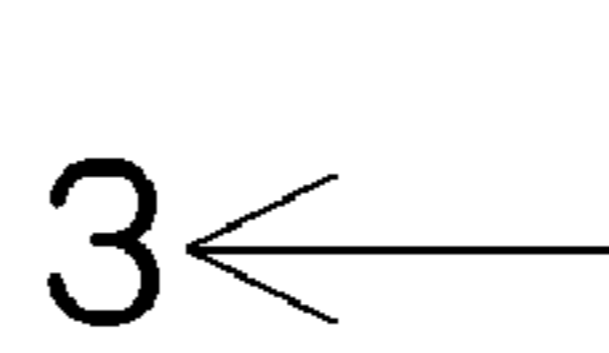


Fig.2

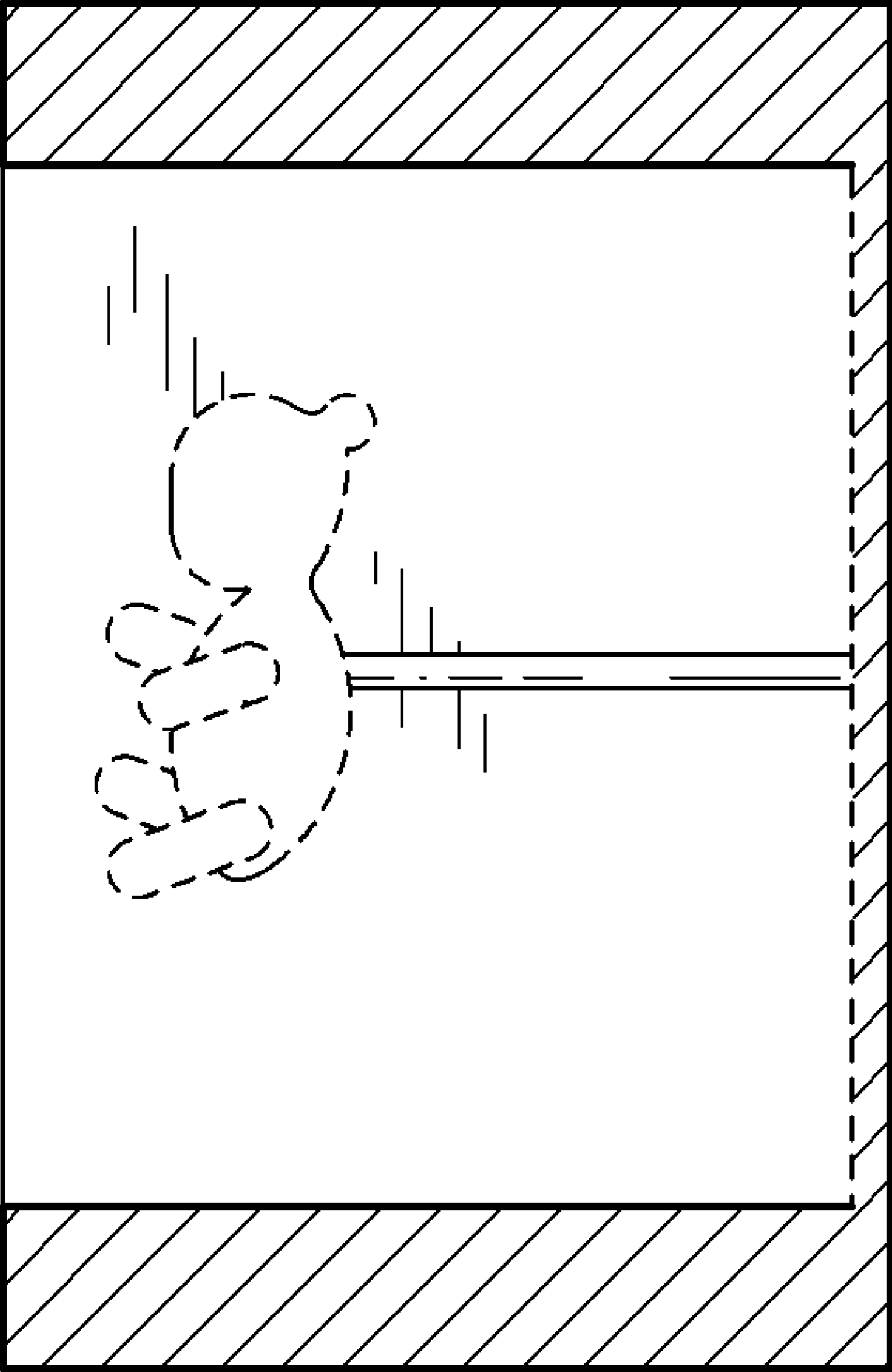


Fig. 3

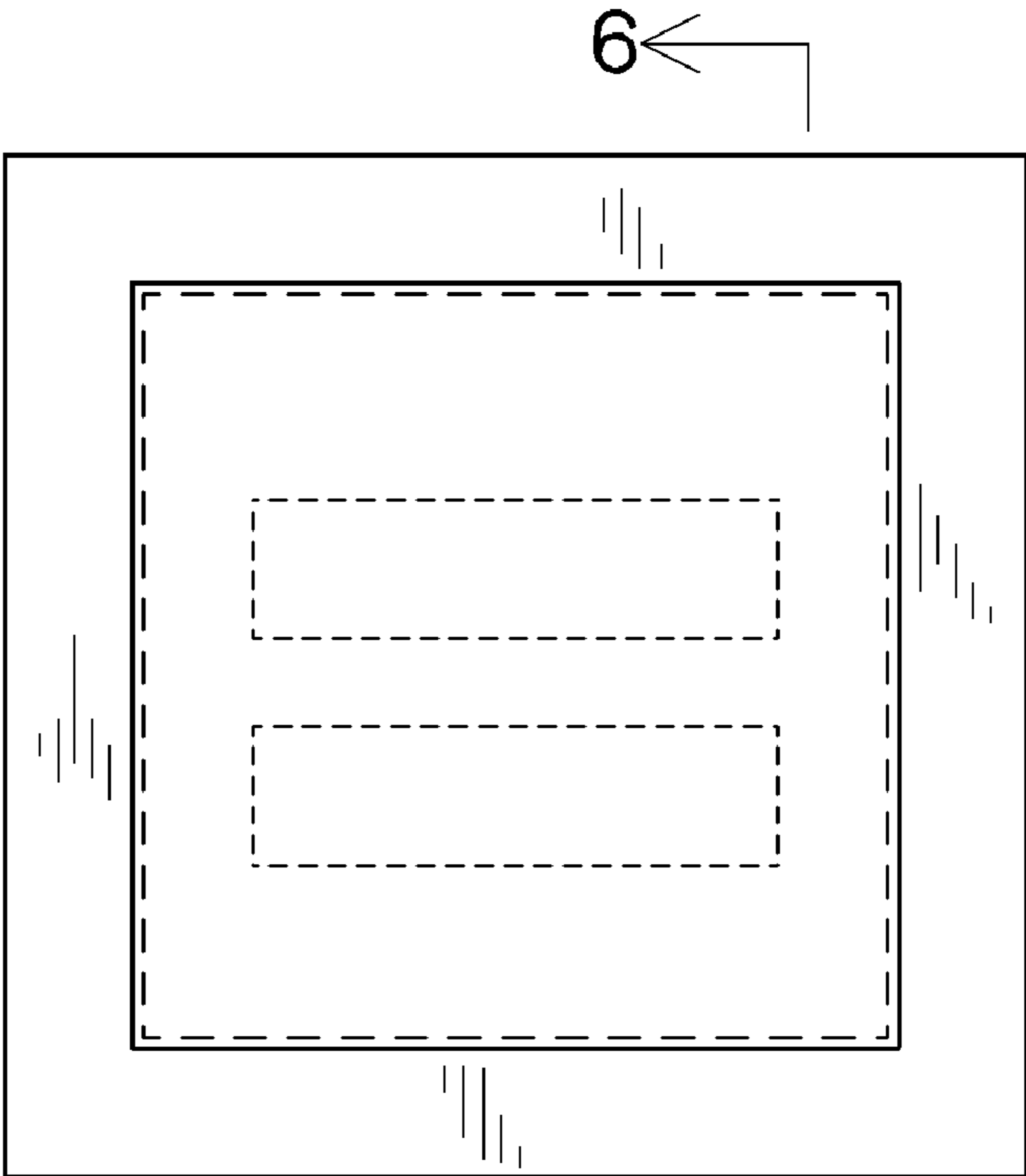


Fig. 4

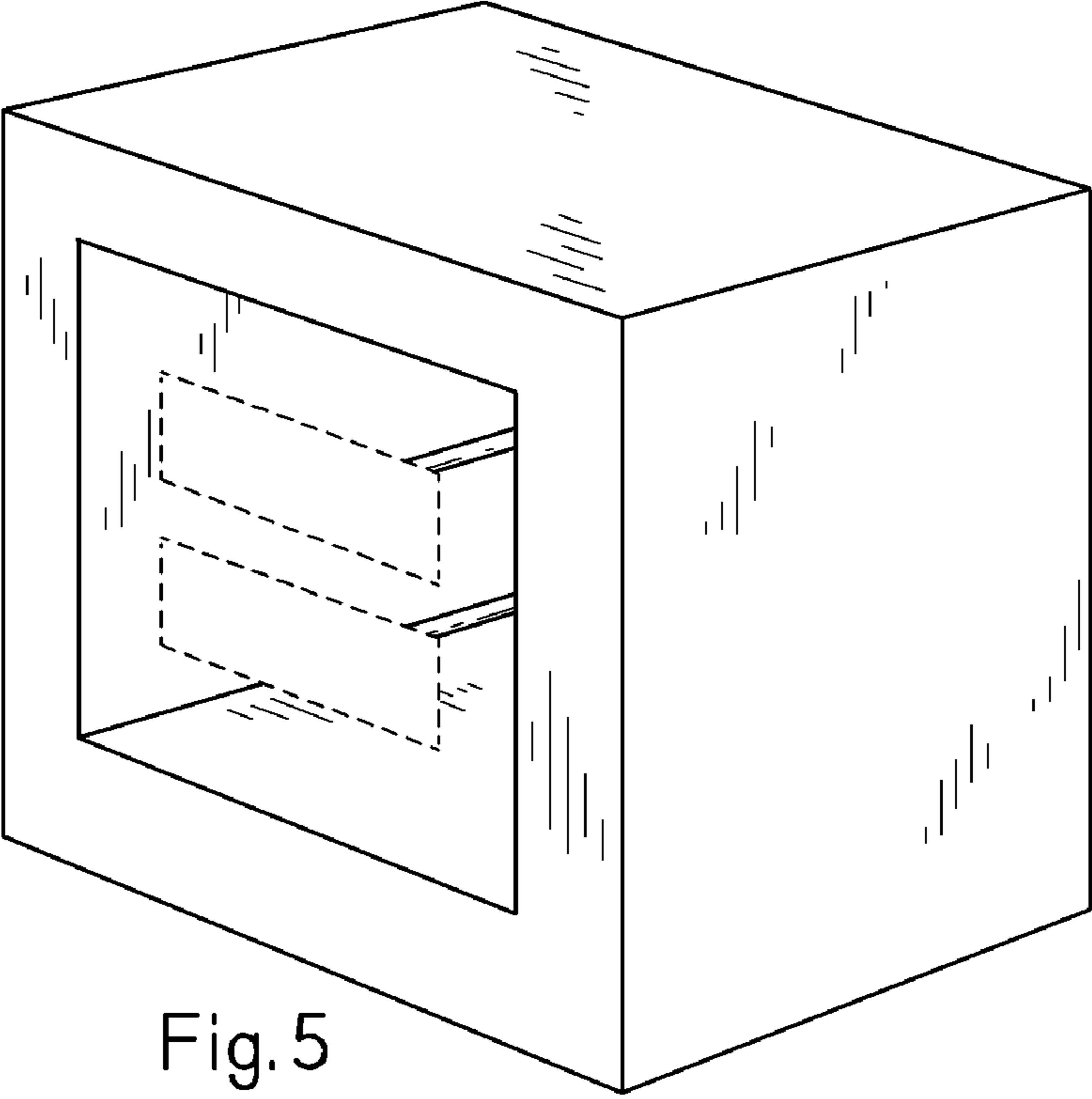
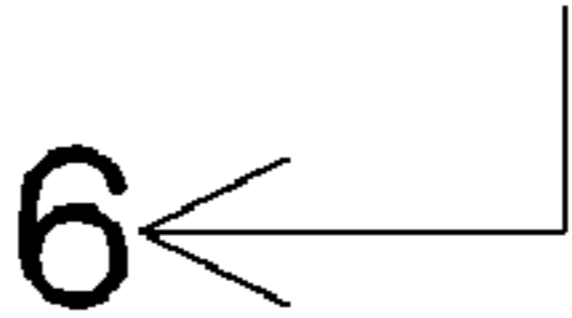


Fig. 5

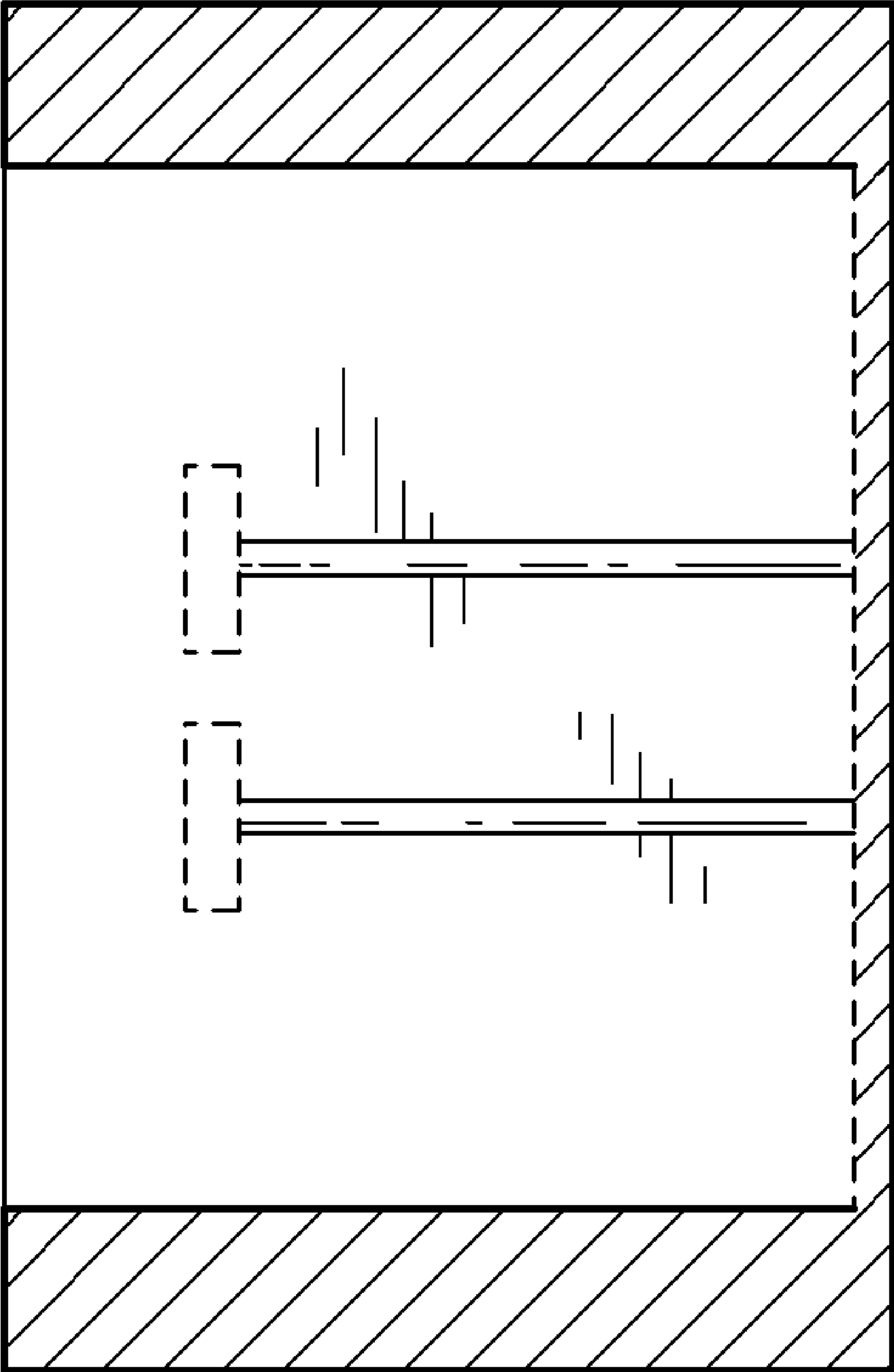


Fig. 6

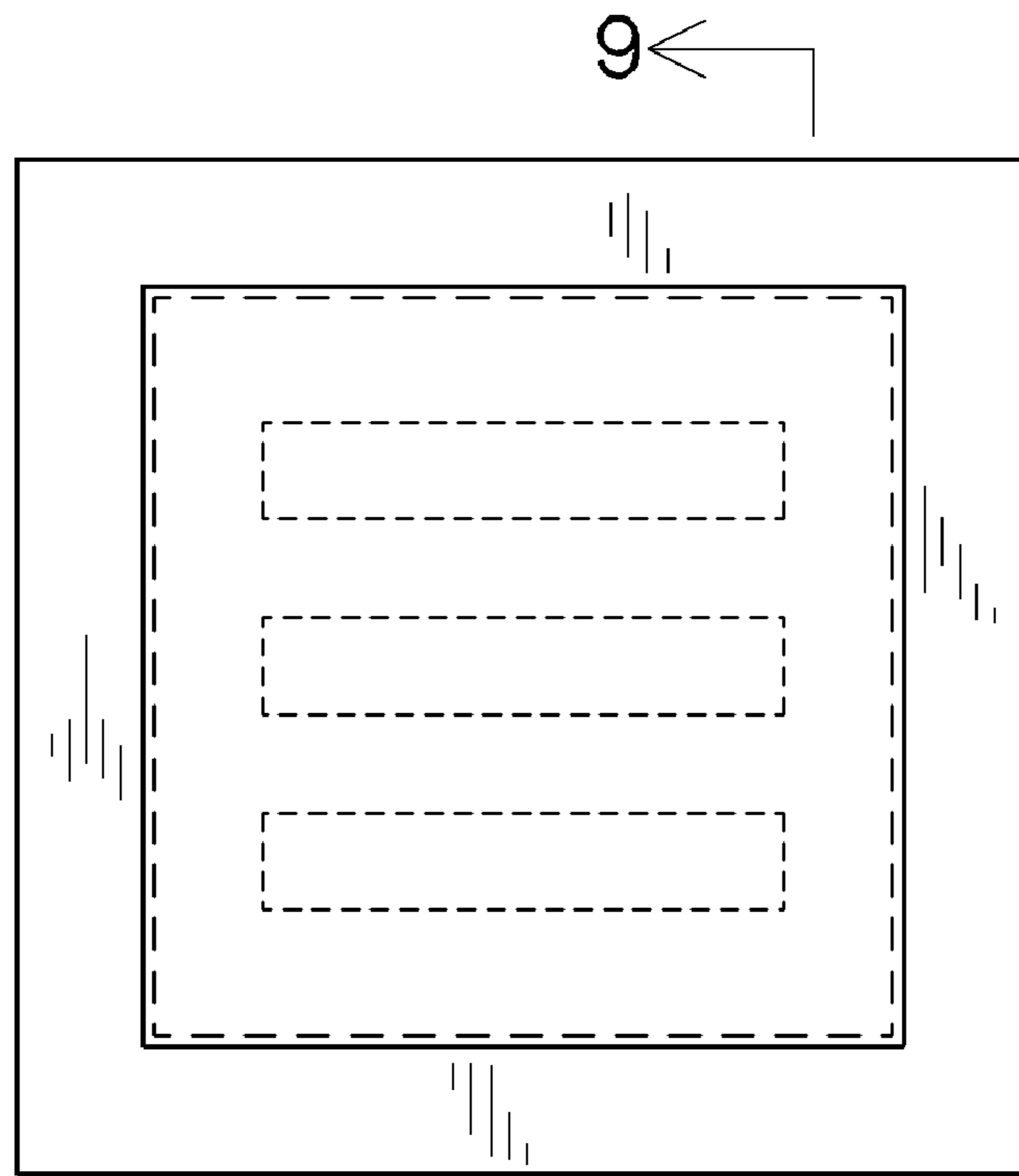


Fig.7

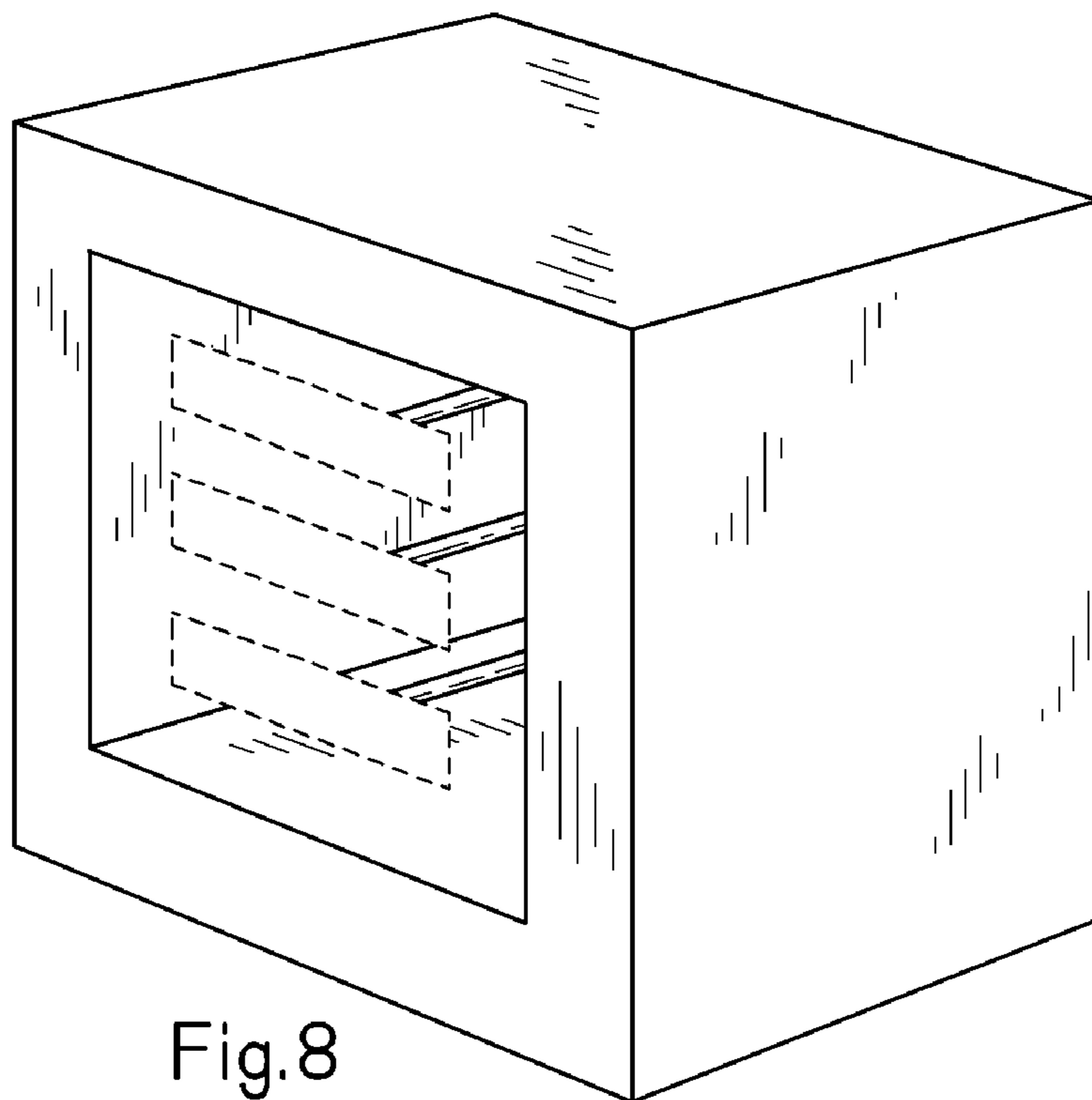
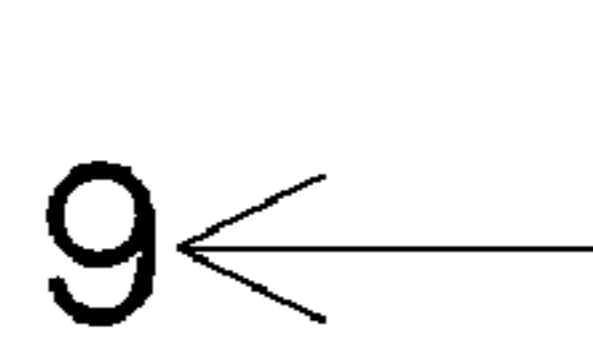


Fig.8

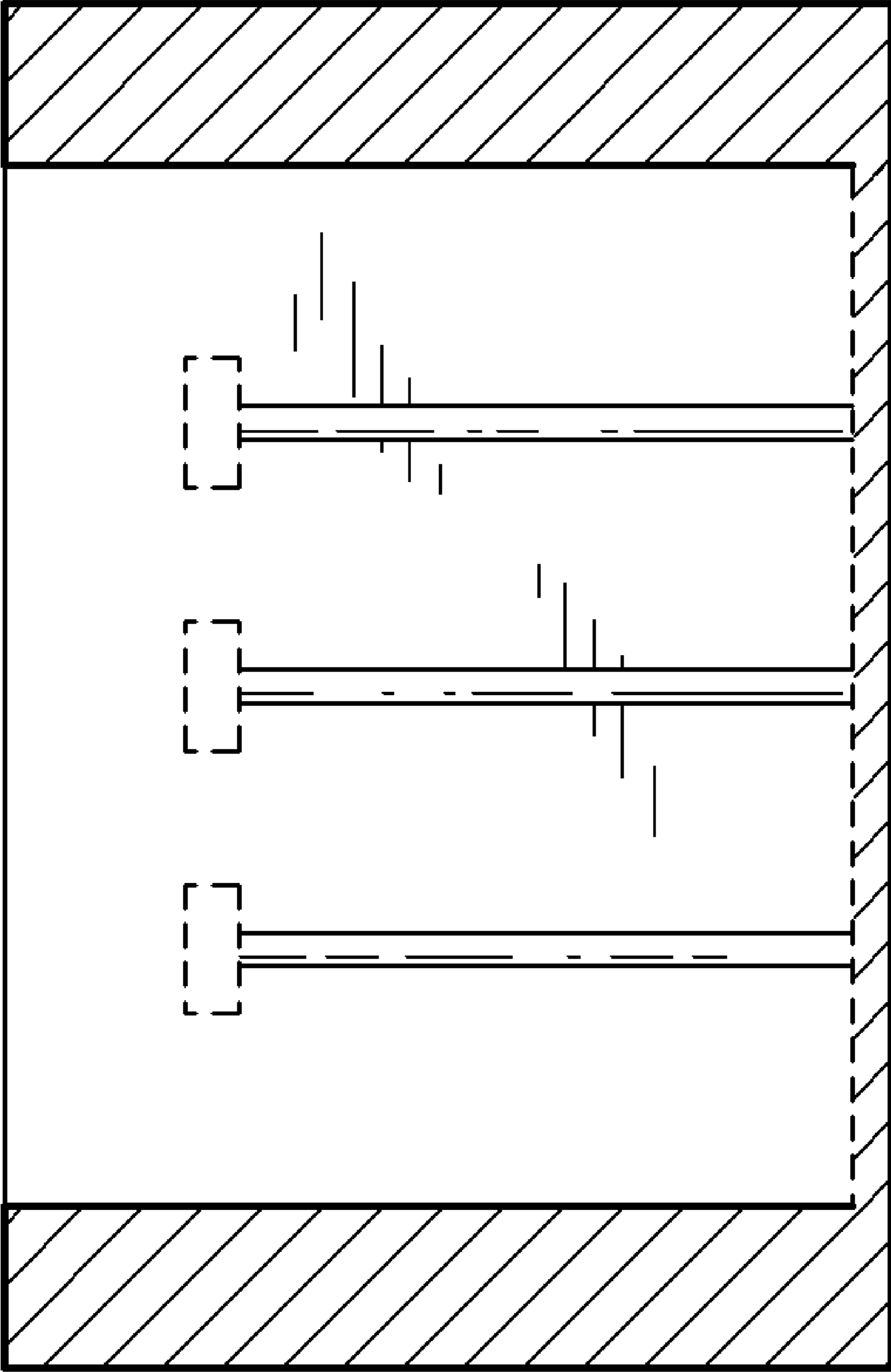


Fig. 9